



US00D525602S

(12) **United States Design Patent**  
**Williams**

(10) **Patent No.:** **US D525,602 S**

(45) **Date of Patent:** **\*\* Jul. 25, 2006**

(54) **TELEVISION SET**

(75) **Inventor:** **Luke Williams**, Sunnyvale, CA (US)

(73) **Assignee:** **Hannspree, Inc.**, Taipei (TW)

(\*\*) **Term:** **14 Years**

(21) **Appl. No.:** **29/232,354**

(22) **Filed:** **Jun. 16, 2005**

(30) **Foreign Application Priority Data**

Dec. 17, 2004 (TW) ..... 93307855

(51) **LOC (8) Cl.** ..... **14-03**

(52) **U.S. Cl.** ..... **D14/126**

(58) **Field of Classification Search** ..... D14/125-134,  
D14/239, 371, 136, 374-377; 312/7.2; 348/836,  
348/838, 180, 184, 325, 739; 341/12; 248/917-924,  
248/465; 345/104, 133, 156, 168, 87, 173;  
720/605, 669, 600, 655; 369/99, 197; 455/344-347  
See application file for complete search history.

(56) **References Cited**

**U.S. PATENT DOCUMENTS**

D475,984 S \* 6/2003 Chen et al. .... D14/126

D476,004 S \* 6/2003 Olson et al. .... D14/375  
D486,131 S \* 2/2004 Otsuka ..... D14/126  
D497,351 S \* 10/2004 Kita ..... D14/126

\* cited by examiner

*Primary Examiner*—Raphael Barkai

(74) *Attorney, Agent, or Firm*—Michael A. Glenn; Glenn Patent Group

(57) **CLAIM**

The ornamental design for a “television set,” as shown and described herein.

**DESCRIPTION**

FIG. 1 is a perspective view of a television set showing my new design.

FIG. 2 is a front view thereof;

FIG. 3 is a rear view thereof;

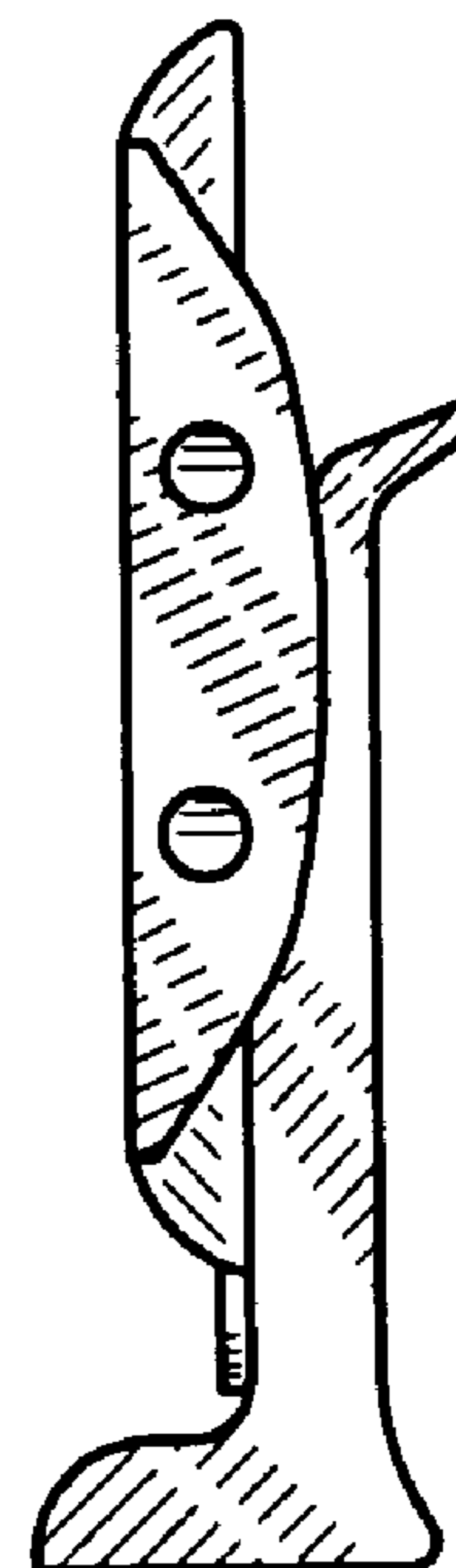
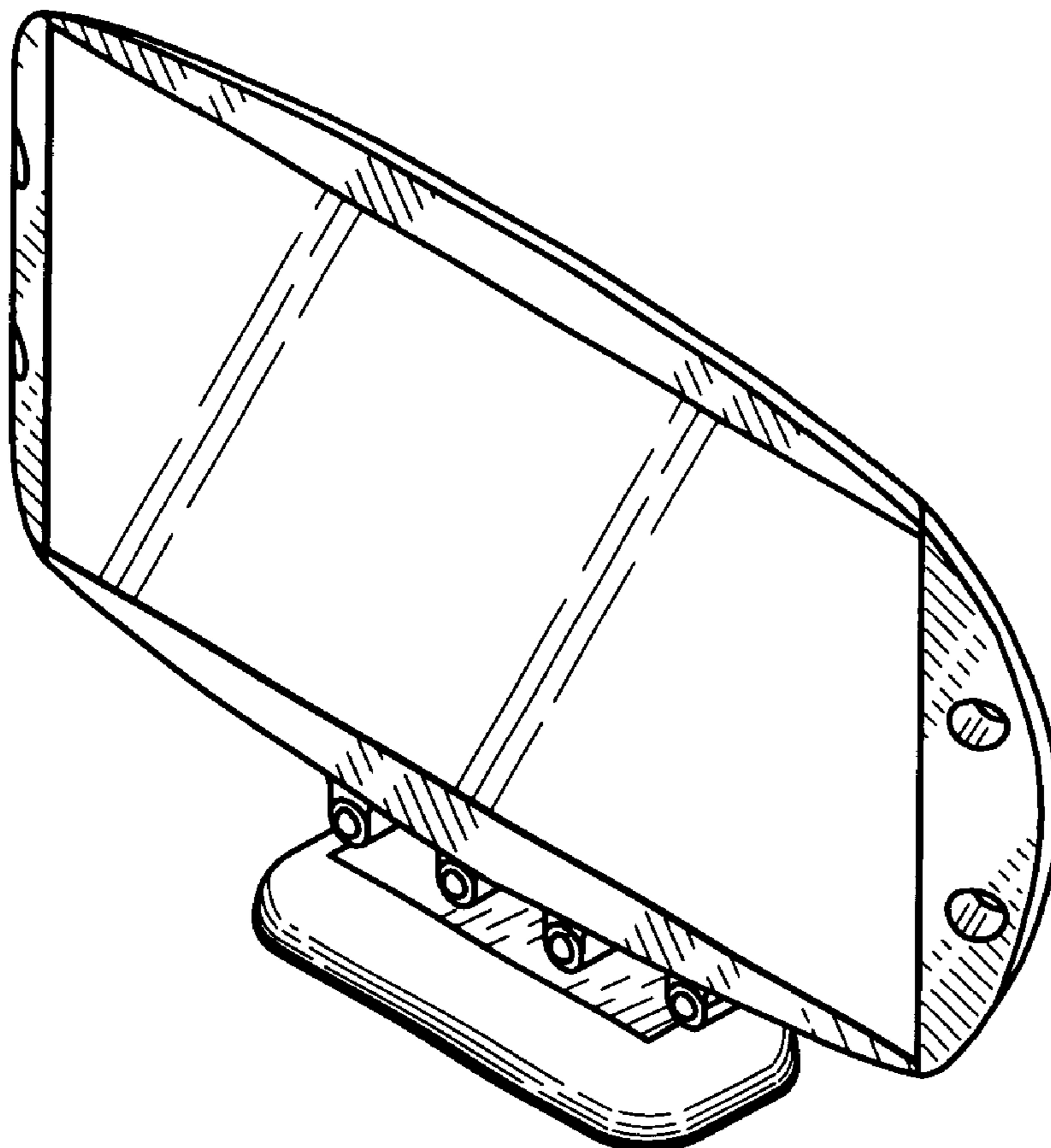
FIG. 4 is a left side view thereof;

FIG. 5 is a right side view thereof;

FIG. 6 is a top plan view thereof; and,

FIG. 7 is a bottom plan view thereof.

**1 Claim, 4 Drawing Sheets**



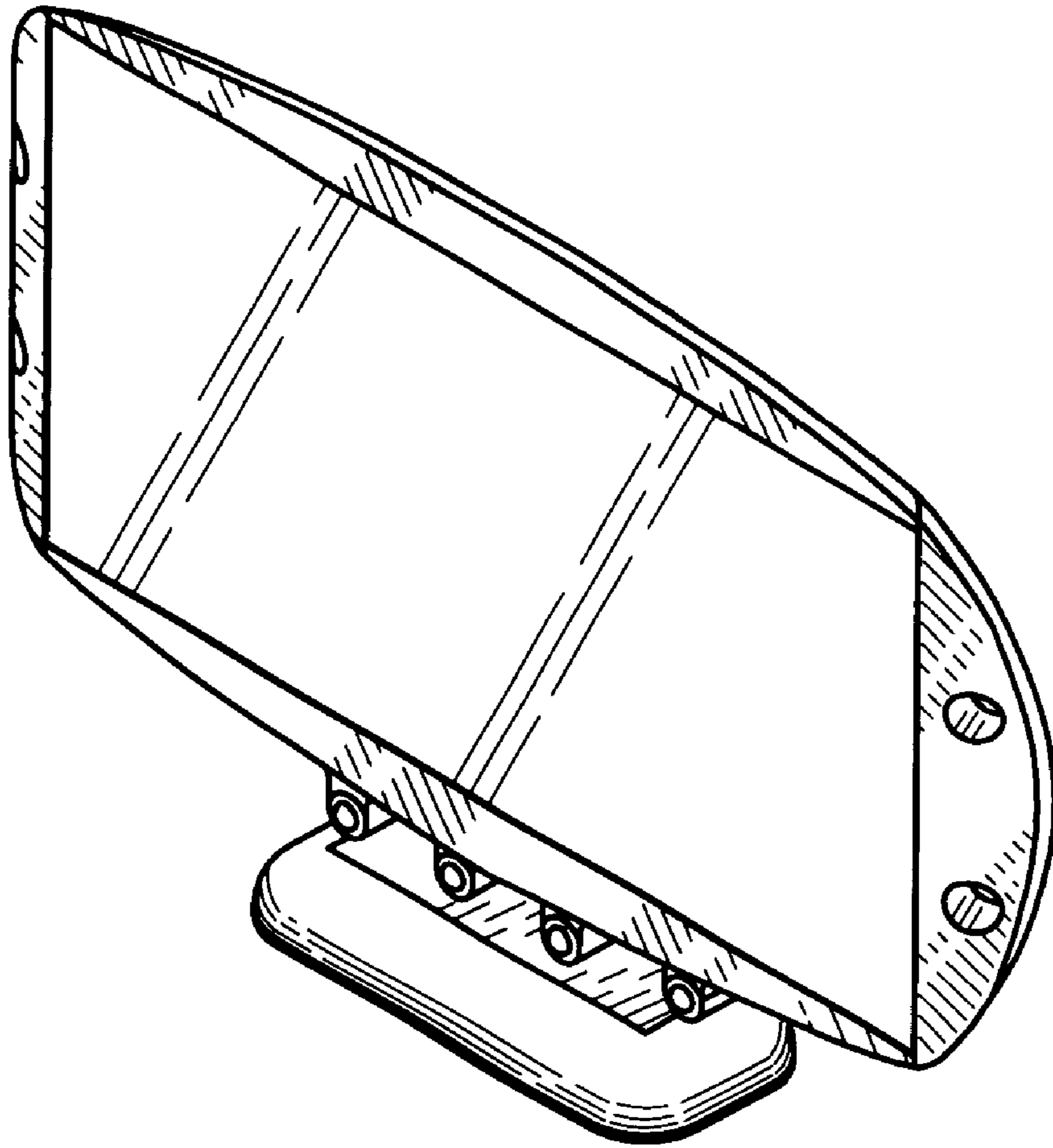


FIG. 1

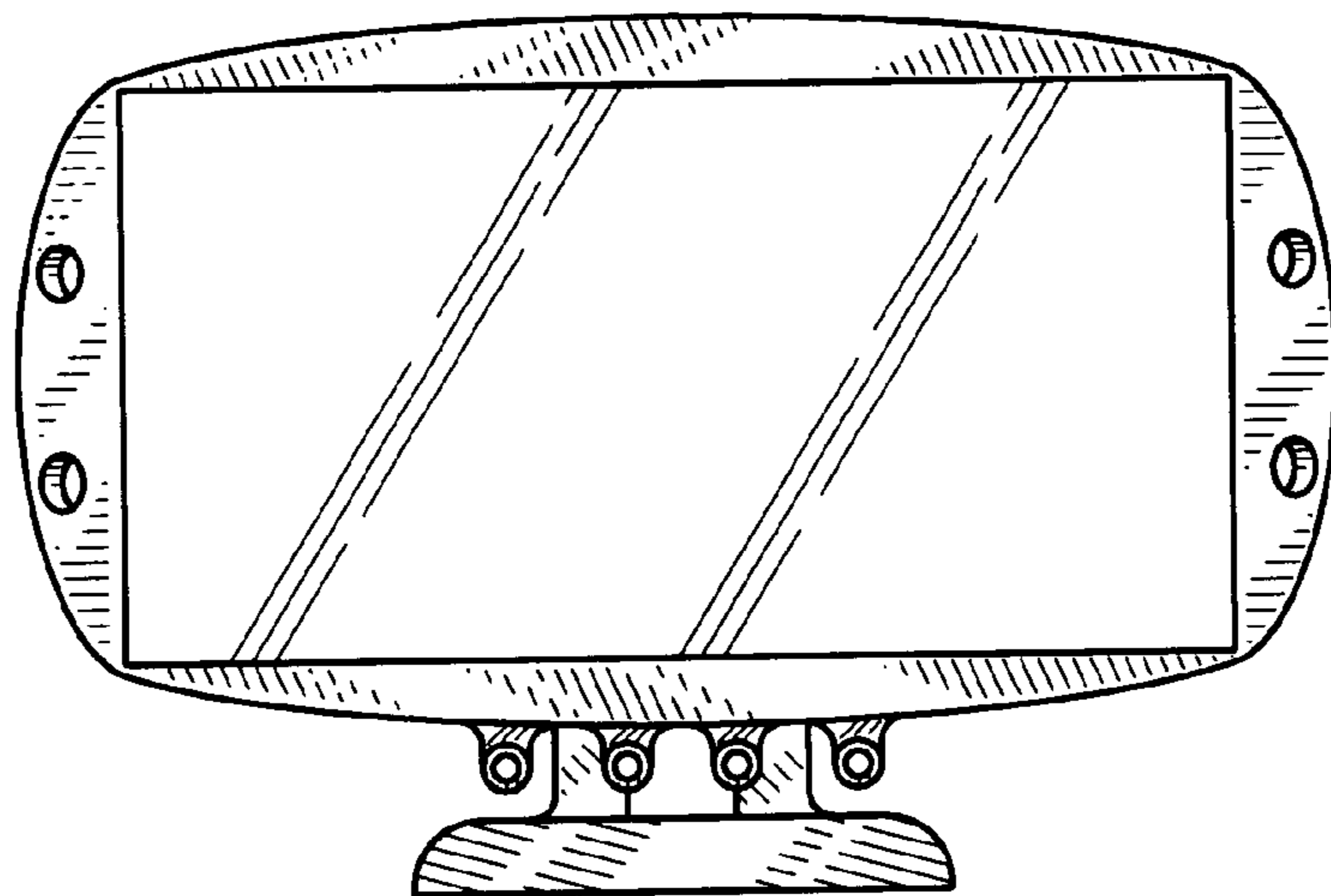


FIG. 2

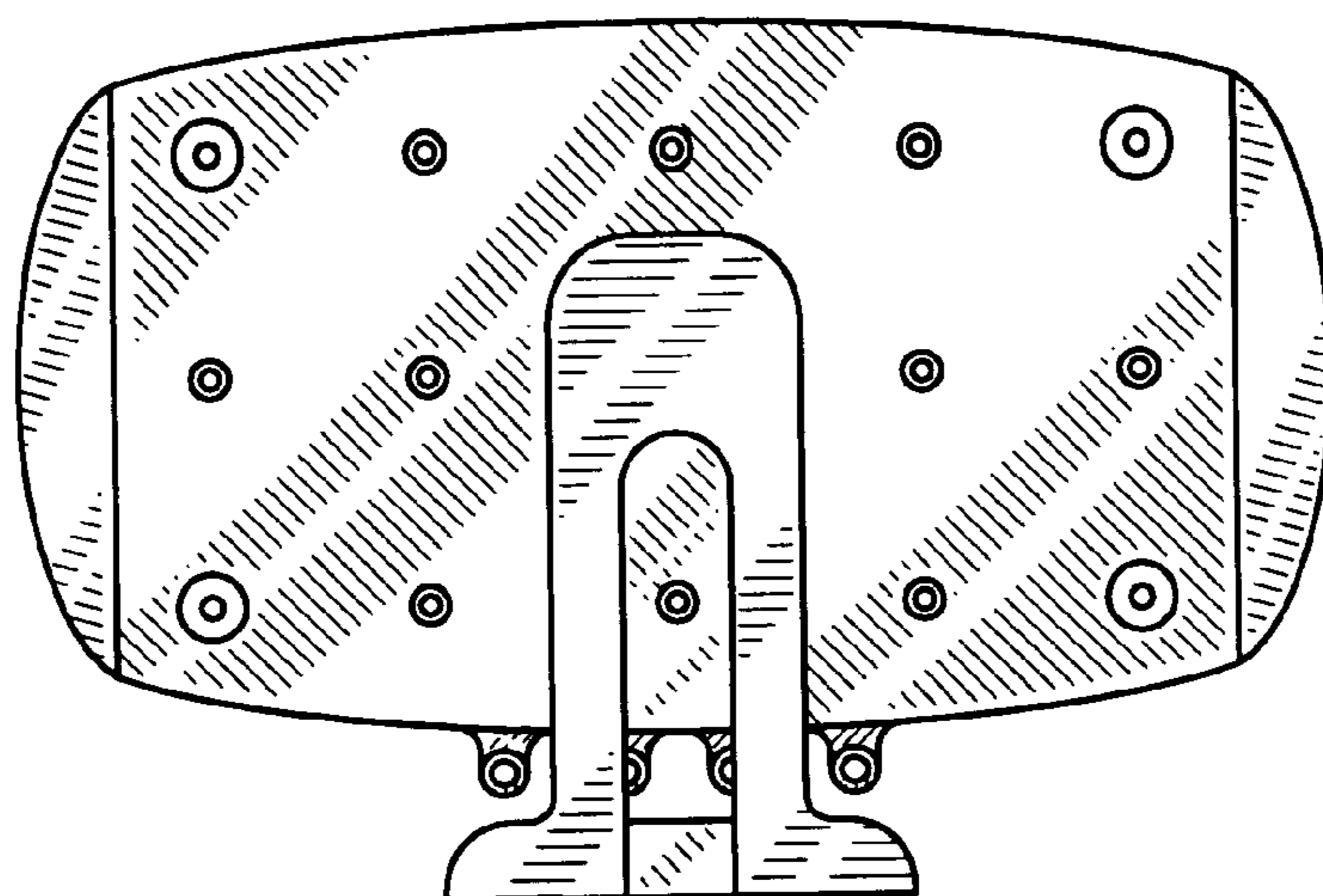


FIG. 3

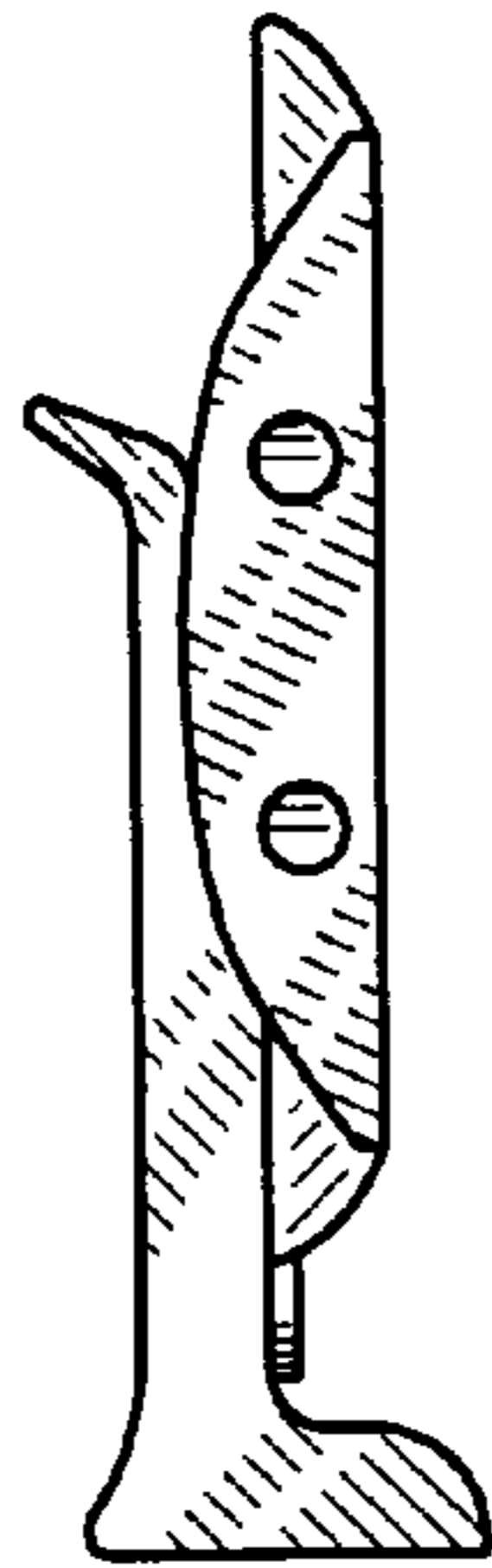


FIG. 4

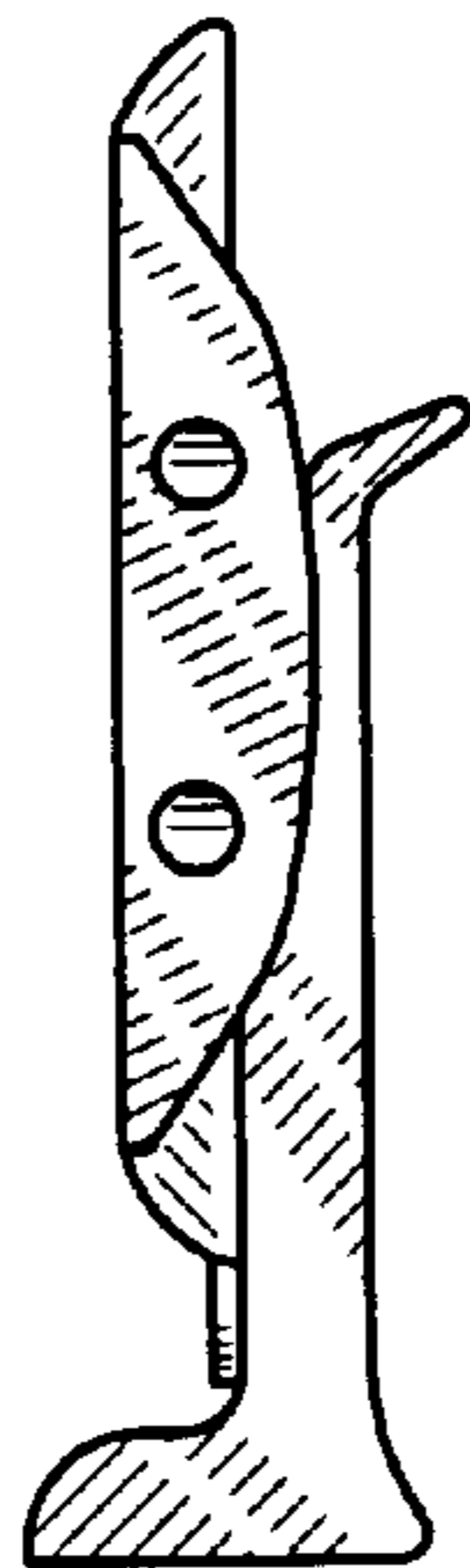


FIG. 5

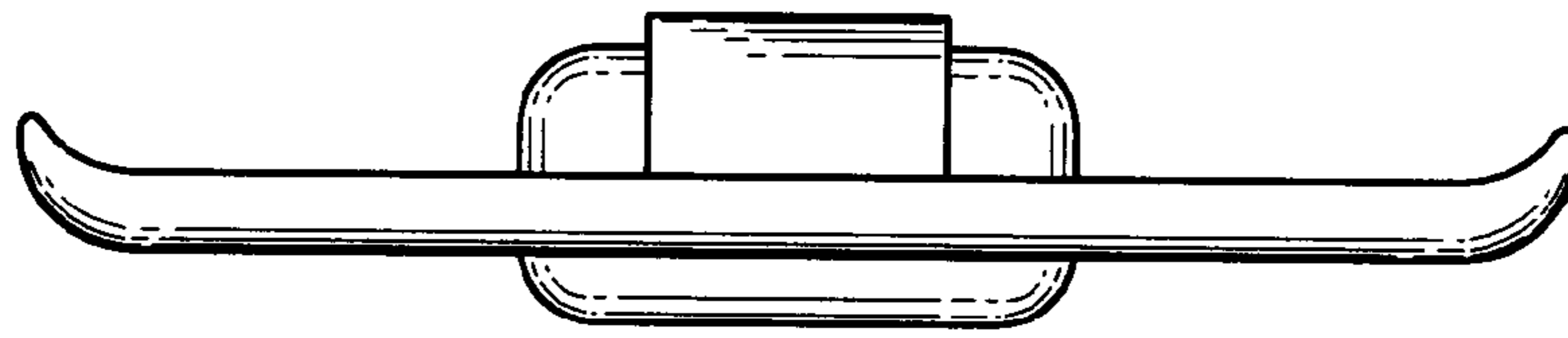


FIG. 6

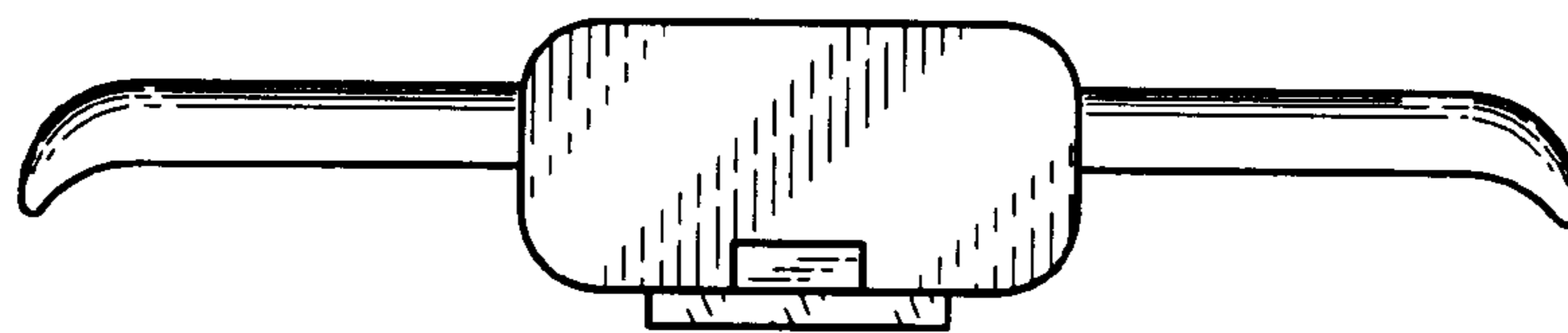


FIG. 7