



US00D525593S

(12) **United States Design Patent**
Bailey

(10) **Patent No.:** **US D525,593 S**

(45) **Date of Patent:** **** Jul. 25, 2006**

(54) **TOP COVER FOR ELECTRONICS ENCLOSURE**

(75) Inventor: **Bendrix Lee Bailey**, Rochester, MA (US)

(73) Assignee: **Measurement Computing Corporation**, Austin, TX (US)

(**) Term: **14 Years**

(21) Appl. No.: **29/222,759**

(22) Filed: **Feb. 3, 2005**

(51) **LOC (8) Cl.** **13-03**

(52) **U.S. Cl.** **D13/177; D13/184**

(58) **Field of Classification Search** D13/152, D13/154, 156, 177, 184; D14/240; 174/48, 174/50, 52.1, 58, 66, 67; 220/3.2, 3.3, 3.8, 220/4.02, 242; 361/679, 796
See application file for complete search history.

(56) **References Cited**

U.S. PATENT DOCUMENTS

4,303,296	A	*	12/1981	Spaulding	439/189
D352,941	S	*	11/1994	Bolton, Jr.	D14/142
D377,338	S	*	1/1997	Terleski	D13/184
D392,644	S	*	3/1998	McGugan	D14/240
5,801,331	A	*	9/1998	Zachrai	174/52.1

D449,279	S	*	10/2001	Takach et al.	D13/152
D450,664	S	*	11/2001	Smith	D13/177
6,492,589	B1	*	12/2002	Smith	174/50
D473,223	S	*	4/2003	Pullman	D14/240

OTHER PUBLICATIONS

Measurement Computing Corporation, PMD-1208FS User's Guide, Oct. 2, 2004, cover sheet; p. 1-2 and p. 2-1.

* cited by examiner

Primary Examiner—Selina Sikder

(74) *Attorney, Agent, or Firm*—Meyertons Hood Kivlin Kowert & Goetzel, P.C.; Jeffrey C. Hood

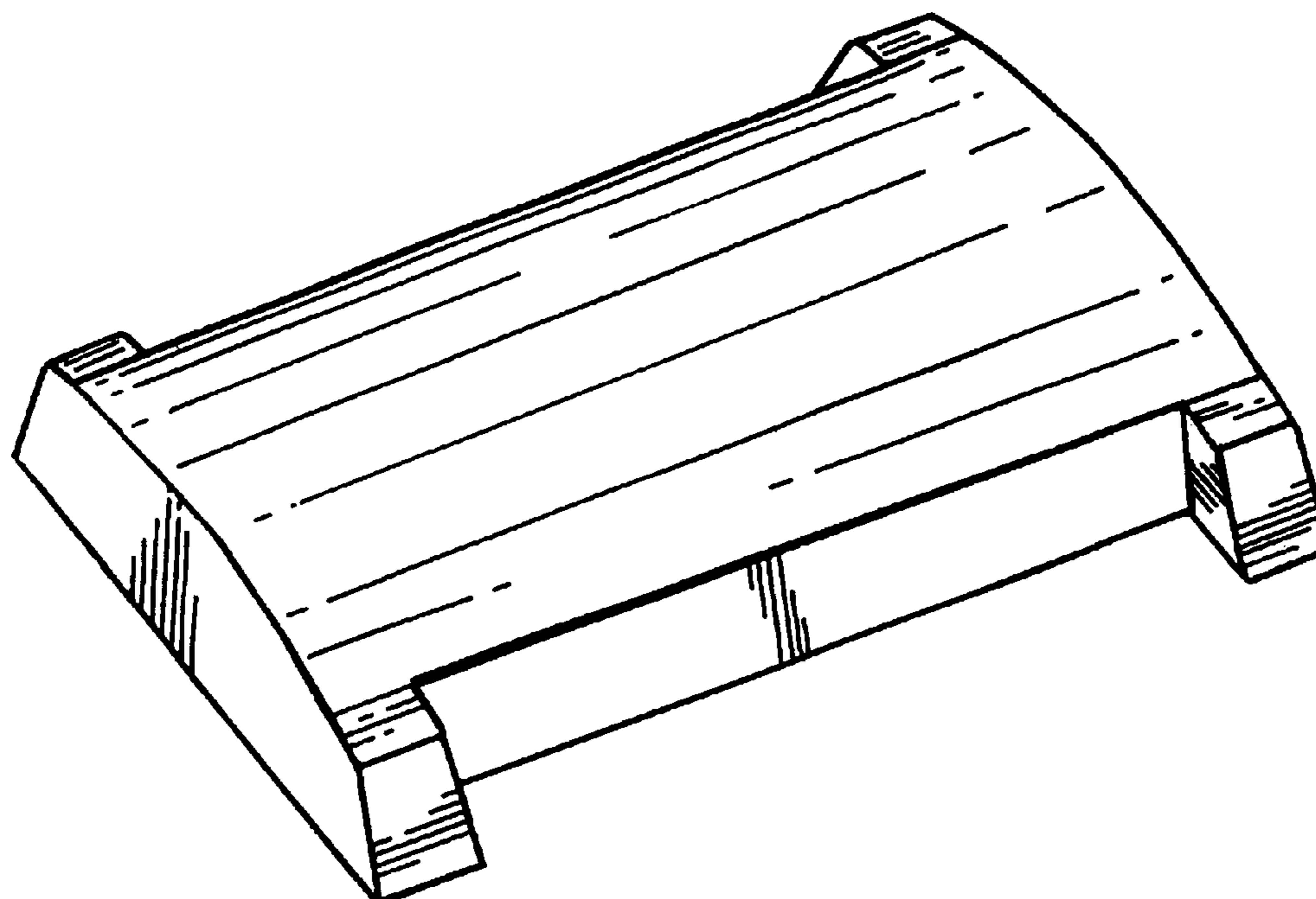
(57) **CLAIM**

The ornamental design for a top cover for electronics enclosure, substantially as shown.

DESCRIPTION

FIG. 1 is an isometric view from the front of a top cover for electronics enclosure incorporating the design; FIG. 2 is a top view thereof; FIG. 3 is a bottom view thereof; FIG. 4 is a front view thereof; FIG. 5 is a back view view thereof; FIG. 6 is a left-side view thereof; and, FIG. 7 bis a right side view thereof.

1 Claim, 2 Drawing Sheets



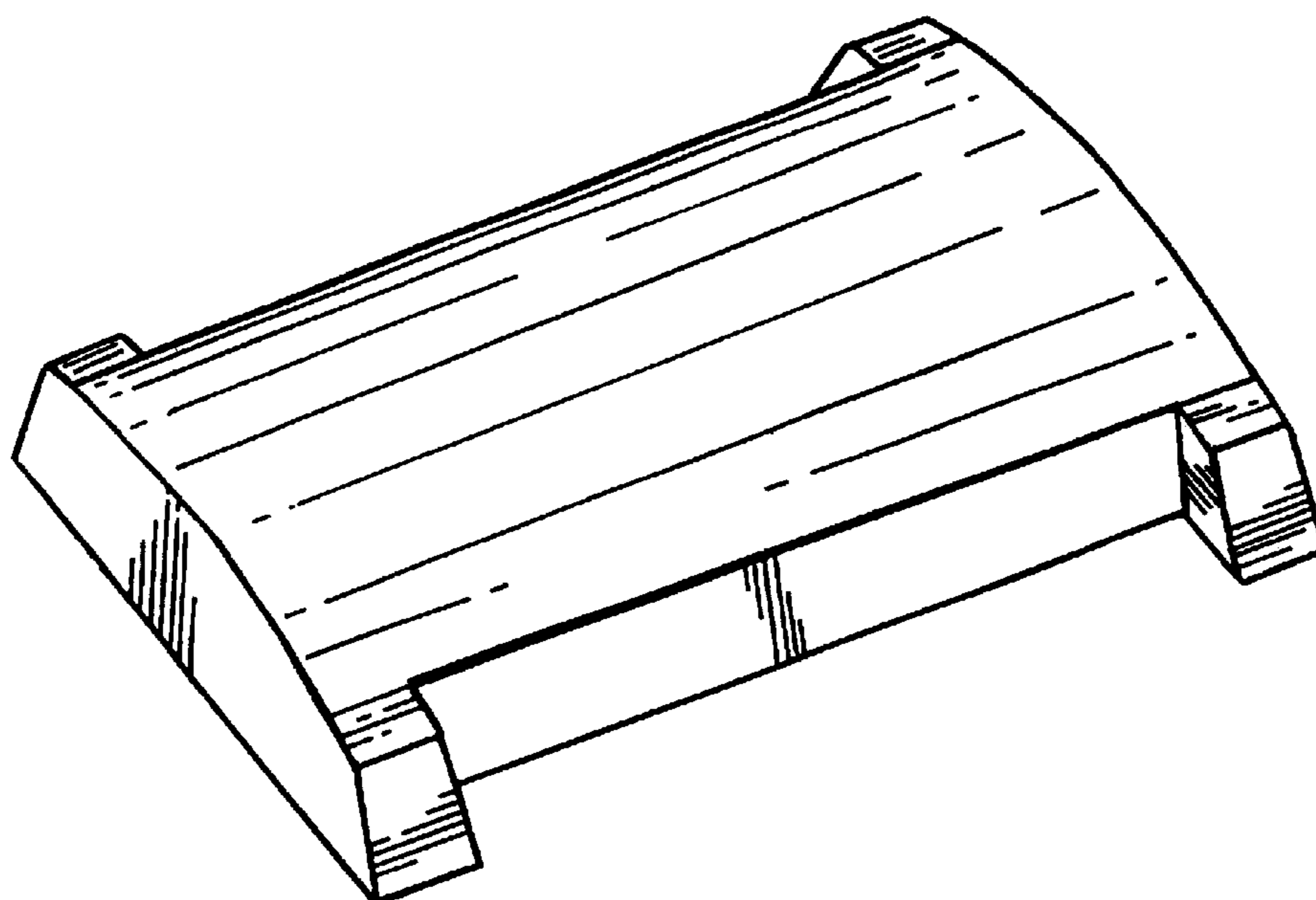


Fig. 1

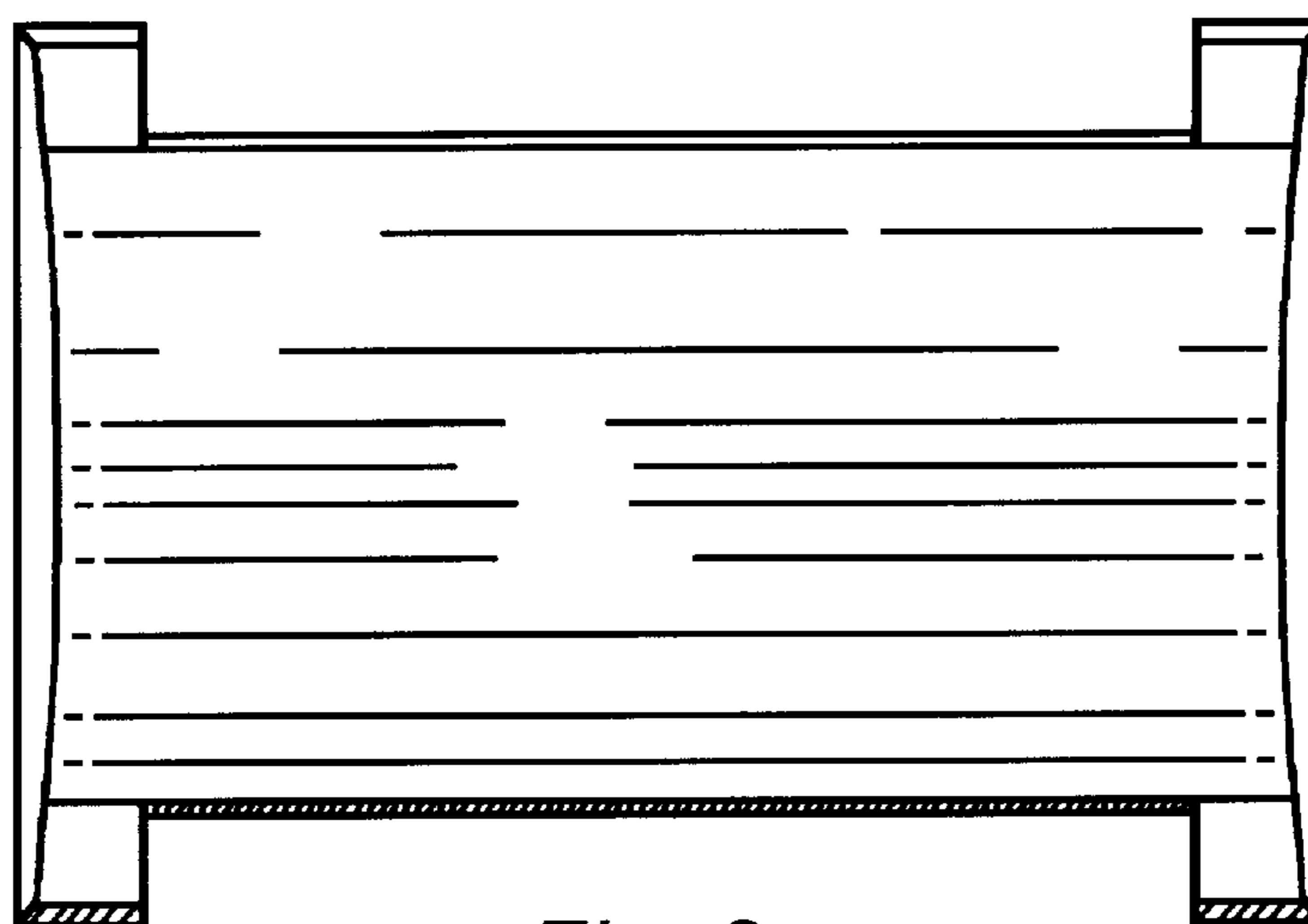


Fig. 2

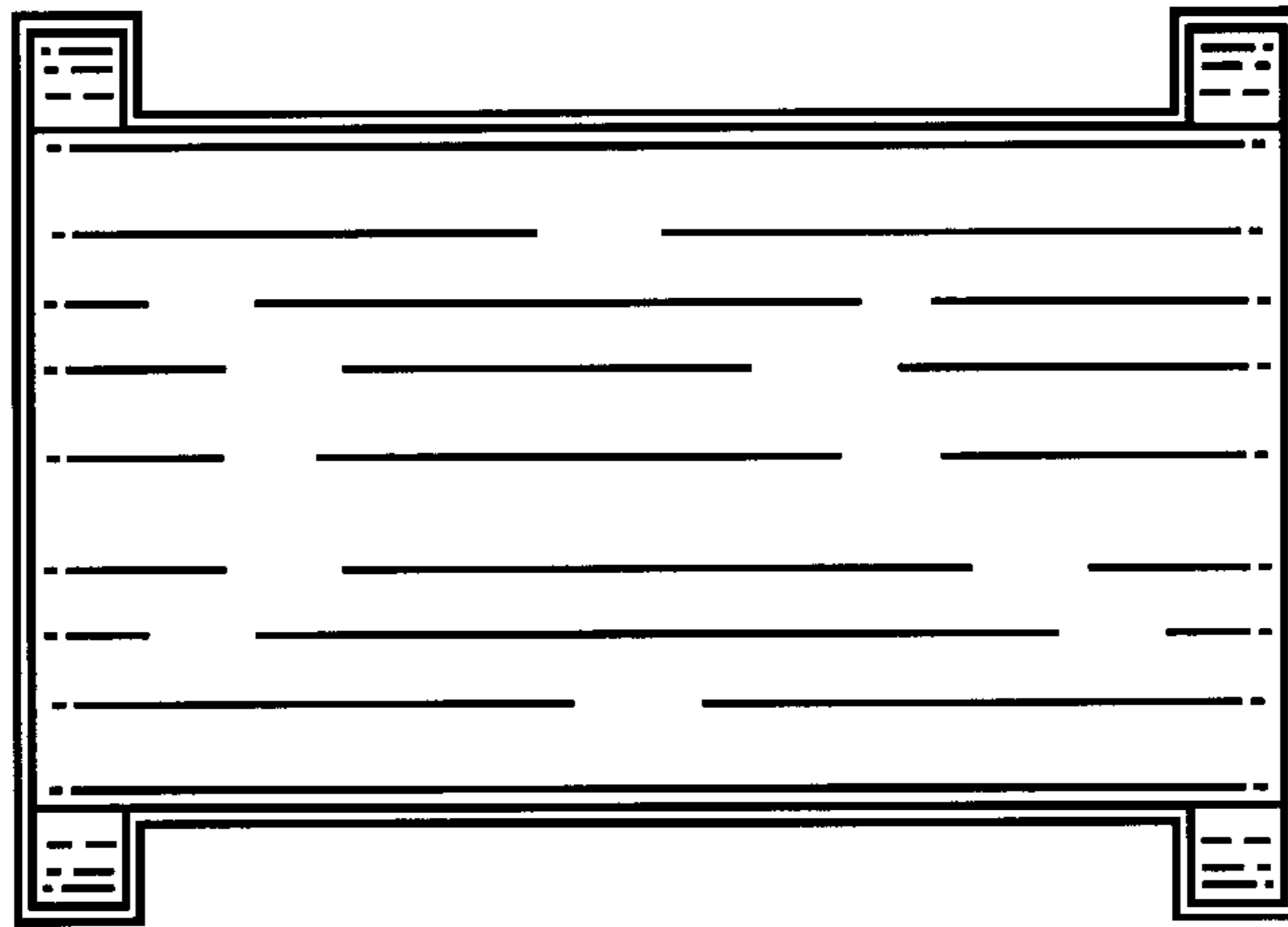


Fig. 3

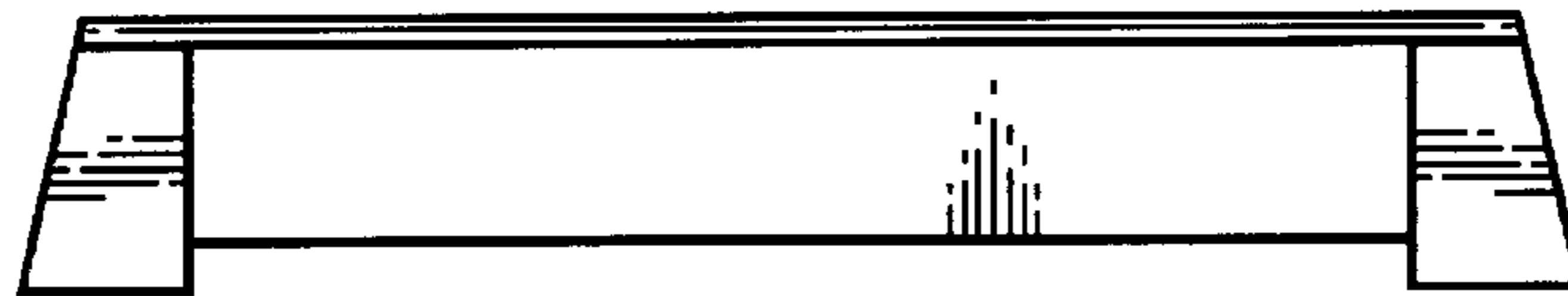


Fig. 4

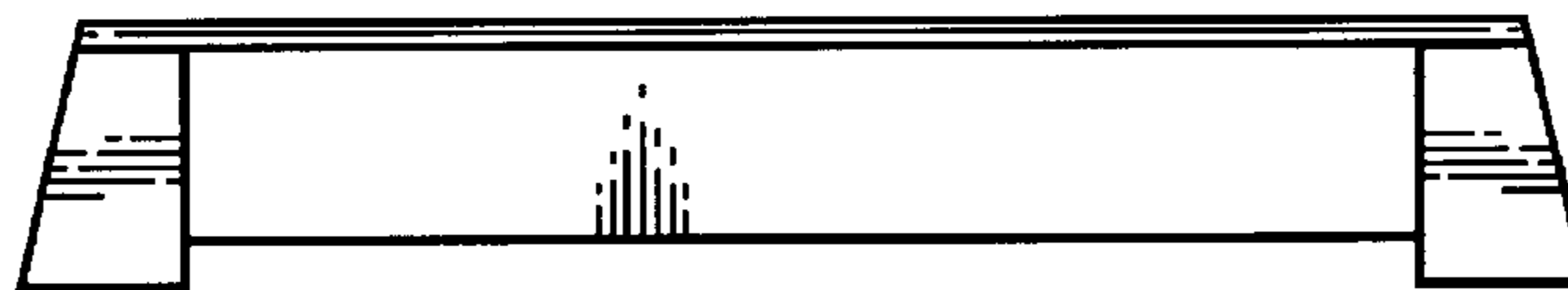


Fig. 5

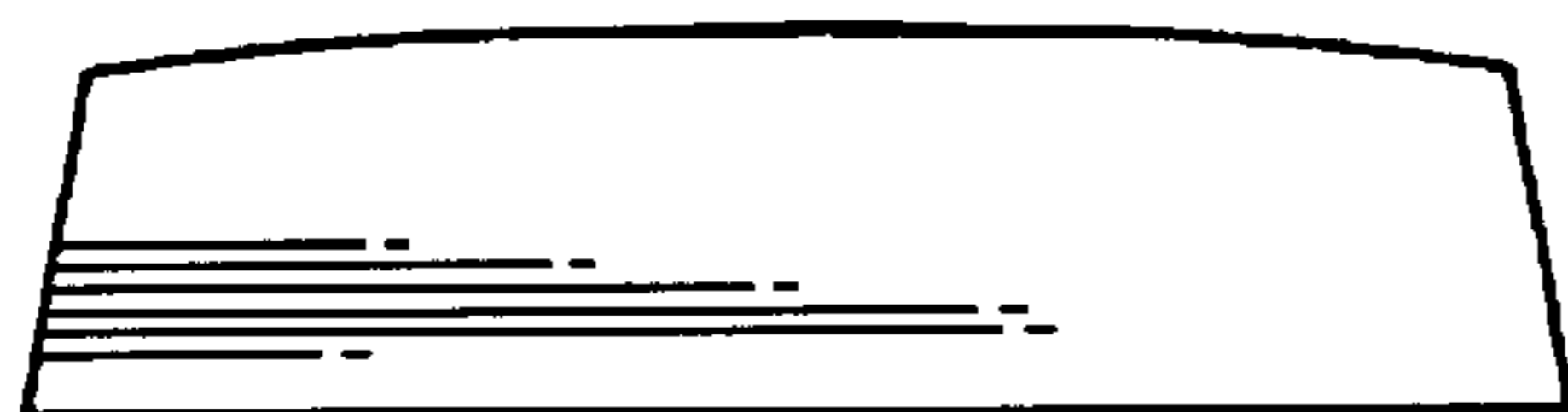


Fig. 6

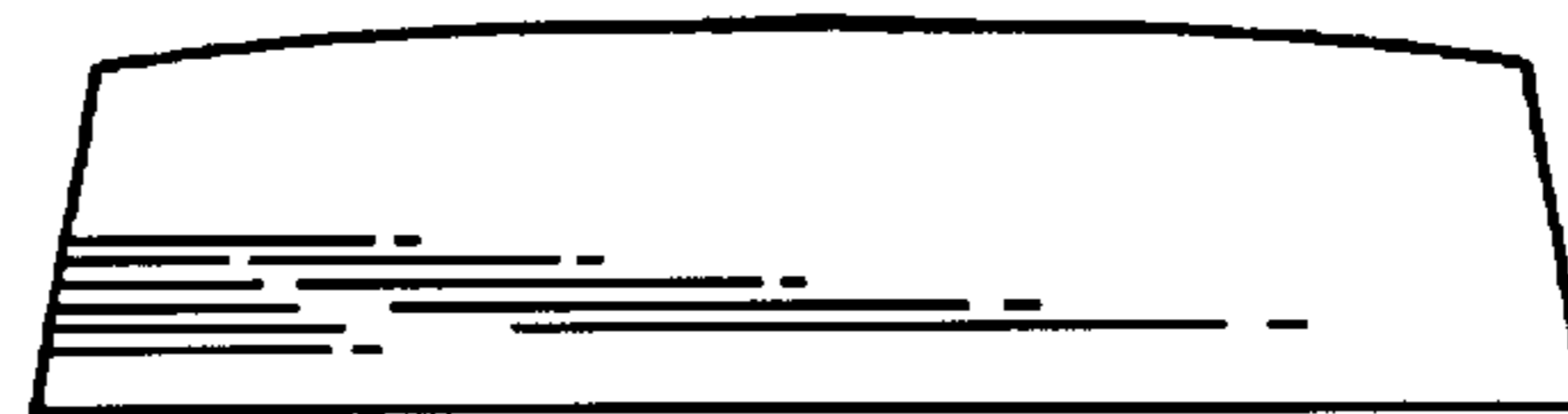


Fig. 7