

US00D525592S

(12) **United States Design Patent**
Nguyen

(10) **Patent No.:** **US D525,592 S**

(45) **Date of Patent:** **** Jul. 25, 2006**

(54) **CONTROLLER**

(75) Inventor: **James Nguyen**, Mississauga (CA)

(73) Assignee: **Mold-Masters Limited**, Ontario (CA)

(**) Term: **14 Years**

(21) Appl. No.: **29/215,302**

(22) Filed: **Oct. 18, 2004**

(51) **LOC (8) Cl.** **13-03**

(52) **U.S. Cl.** **D13/163**

(58) **Field of Classification Search** D13/160,
D13/162, 164, 163; D14/302, 307; D15/7,
D15/135, 141; D24/107, 185, 186; D34/12,
D34/14, 17; 264/40.1, 40.3–40.7; 425/143,
425/144, 146, 149, 547; 700/197, 200, 202,
700/204, 205, 299

See application file for complete search history.

(56) **References Cited**

U.S. PATENT DOCUMENTS

D314,370 S	*	2/1991	Schott et al.	D13/163
D364,382 S	*	11/1995	Yamamoto	D13/163
D376,161 S	*	12/1996	Bergersen	D15/141
5,795,511 A	*	8/1998	Kalantzis et al.	264/40.6

6,233,343 B1	*	5/2001	Muranami et al.	381/96
D478,198 S	*	8/2003	Koppes et al.	D34/17
6,699,026 B1	*	3/2004	Maru et al.	425/88
2006/0012063 A1	*	1/2006	McBain et al.	264/40.1

* cited by examiner

Primary Examiner—Selina Sikder

(74) *Attorney, Agent, or Firm*—Sterne, Kessler, Goldstein & Fox P.L.L.C.

(57) **CLAIM**

The ornamental design for a controller, as shown and described.

DESCRIPTION

FIG. 1 is a perspective view of a controller showing a new design;
FIG. 2 is a front elevation view thereof;
FIG. 3 is a rear elevation view thereof;
FIG. 4 is a right side view thereof;
FIG. 5 is a left side thereof;
FIG. 6 is a top plan view thereof; and,
FIG. 7 is a bottom plan view thereof.
The broken lines in FIGS. 1–7 is environmental for illustrative purposes only and forms no part of the claimed design.

1 Claim, 6 Drawing Sheets

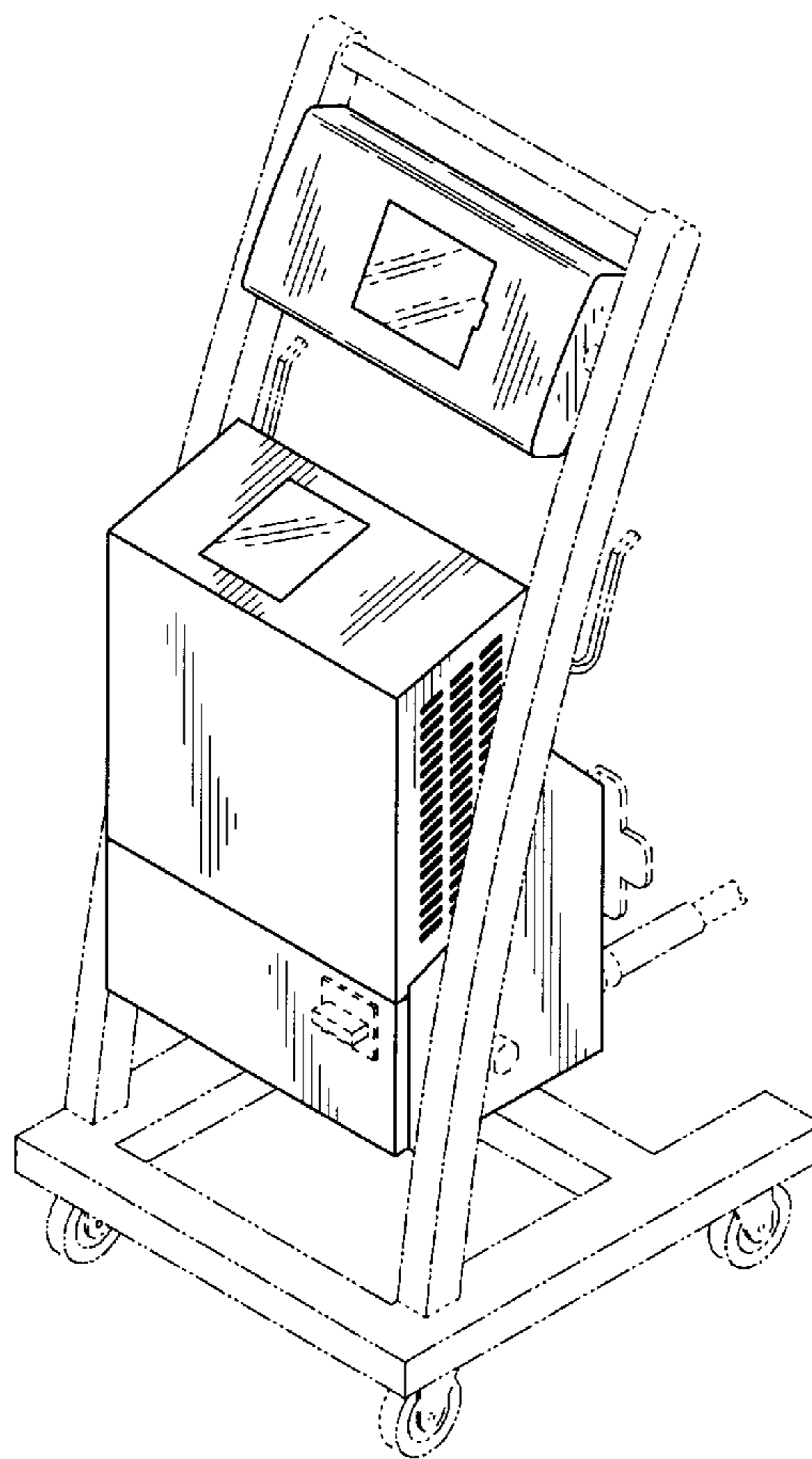


FIG. 1

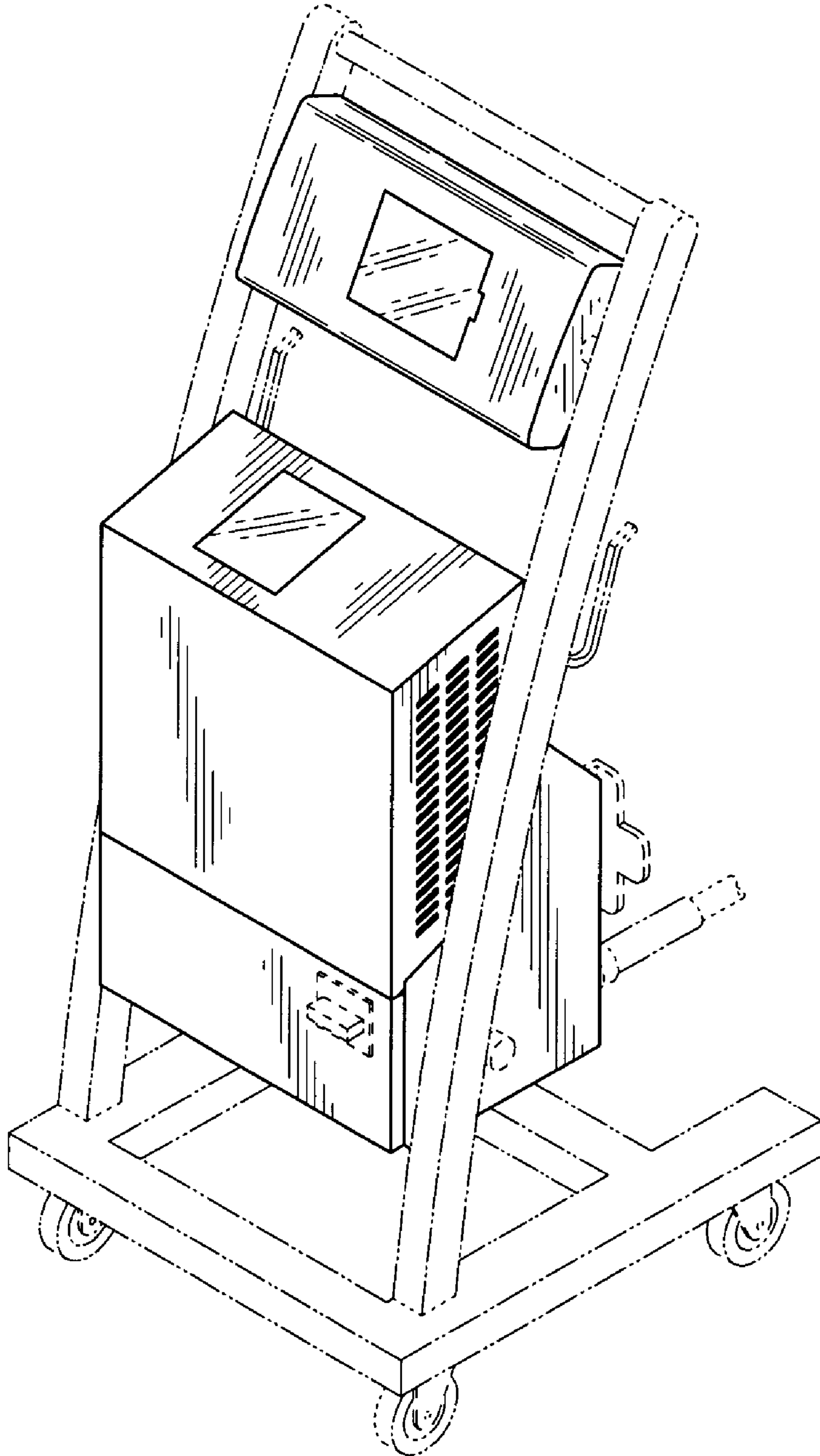


FIG. 2

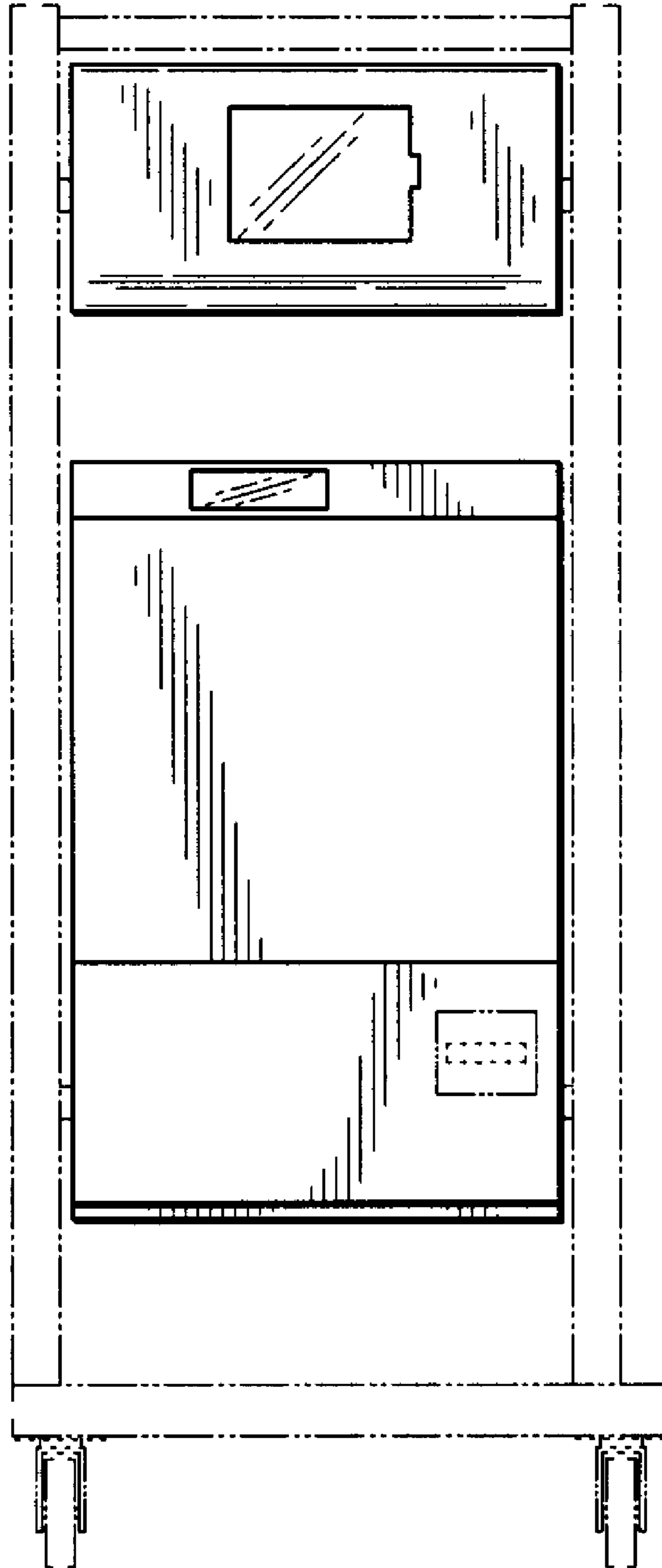


FIG. 3

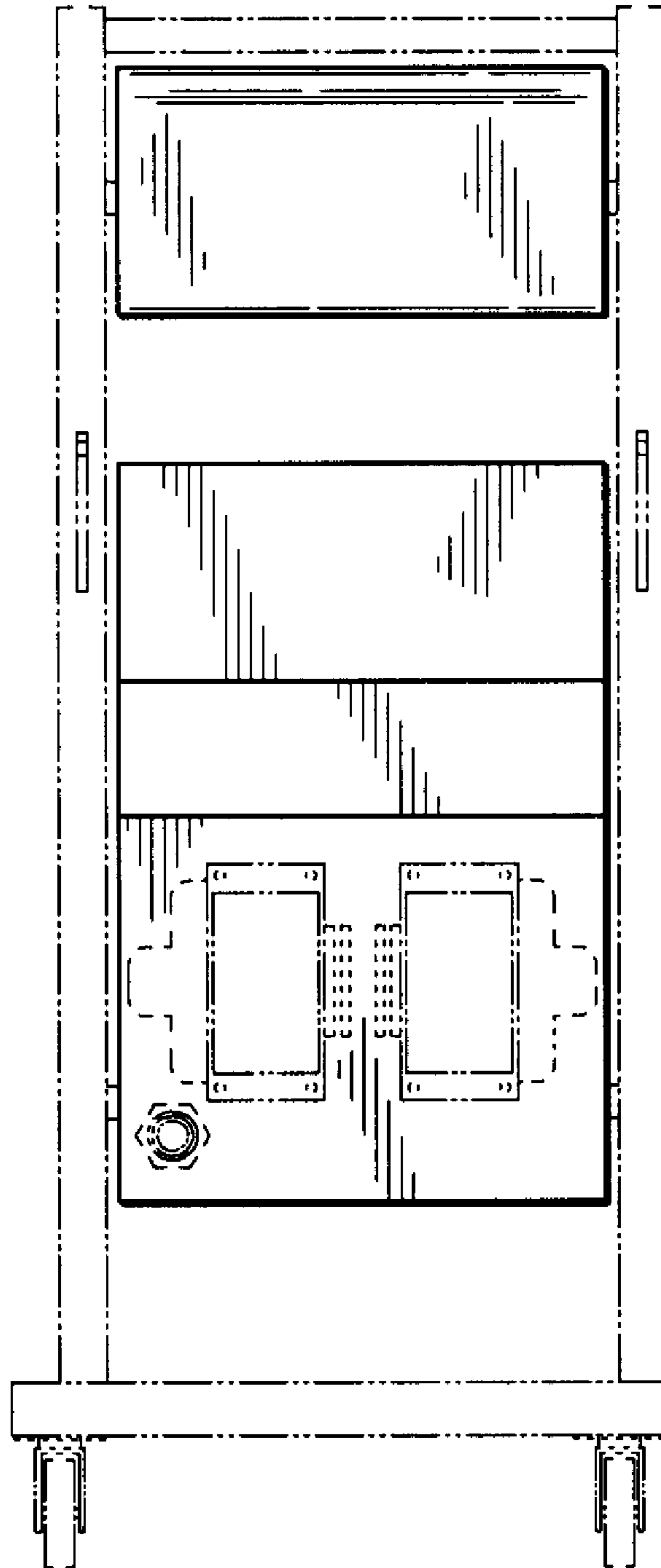


FIG. 4

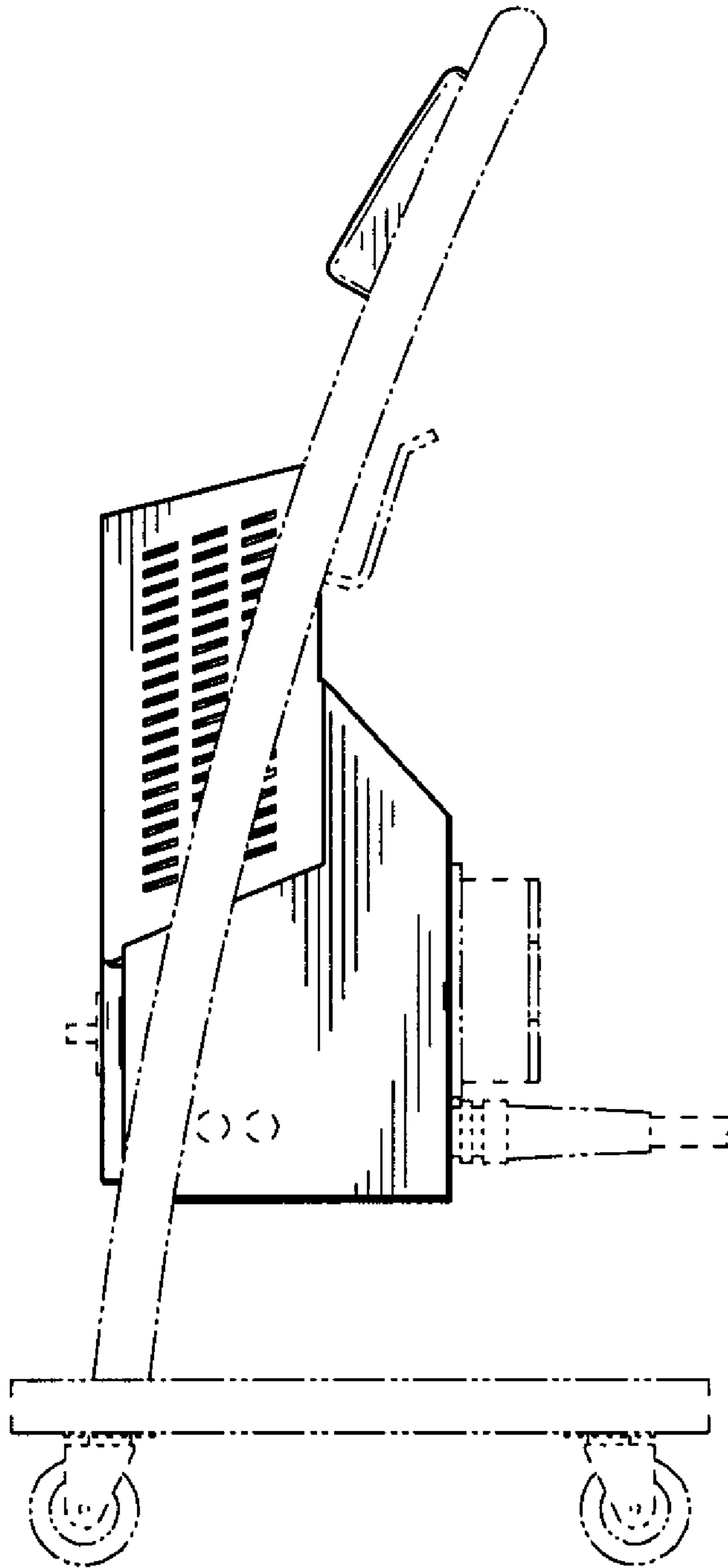


FIG. 5

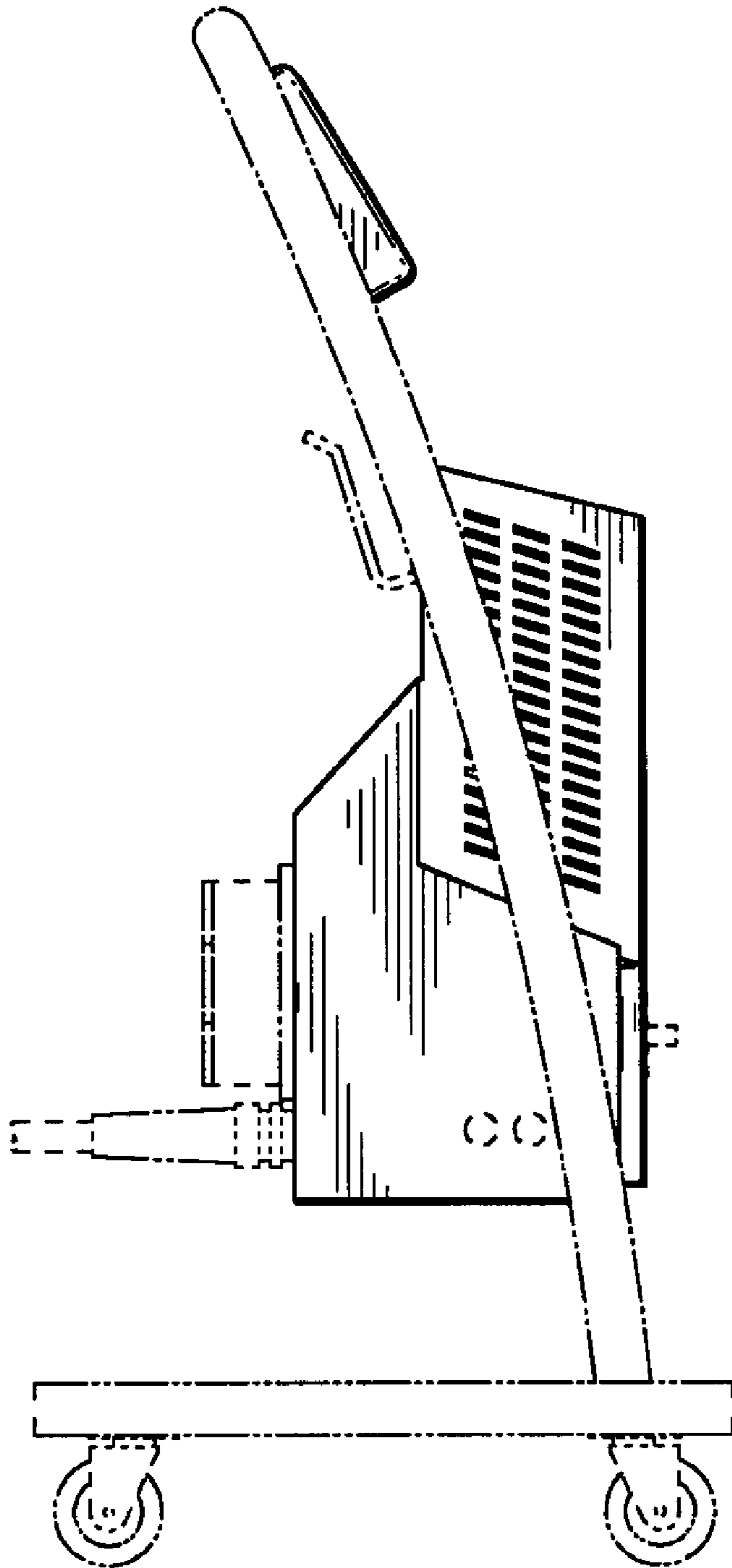


FIG. 6

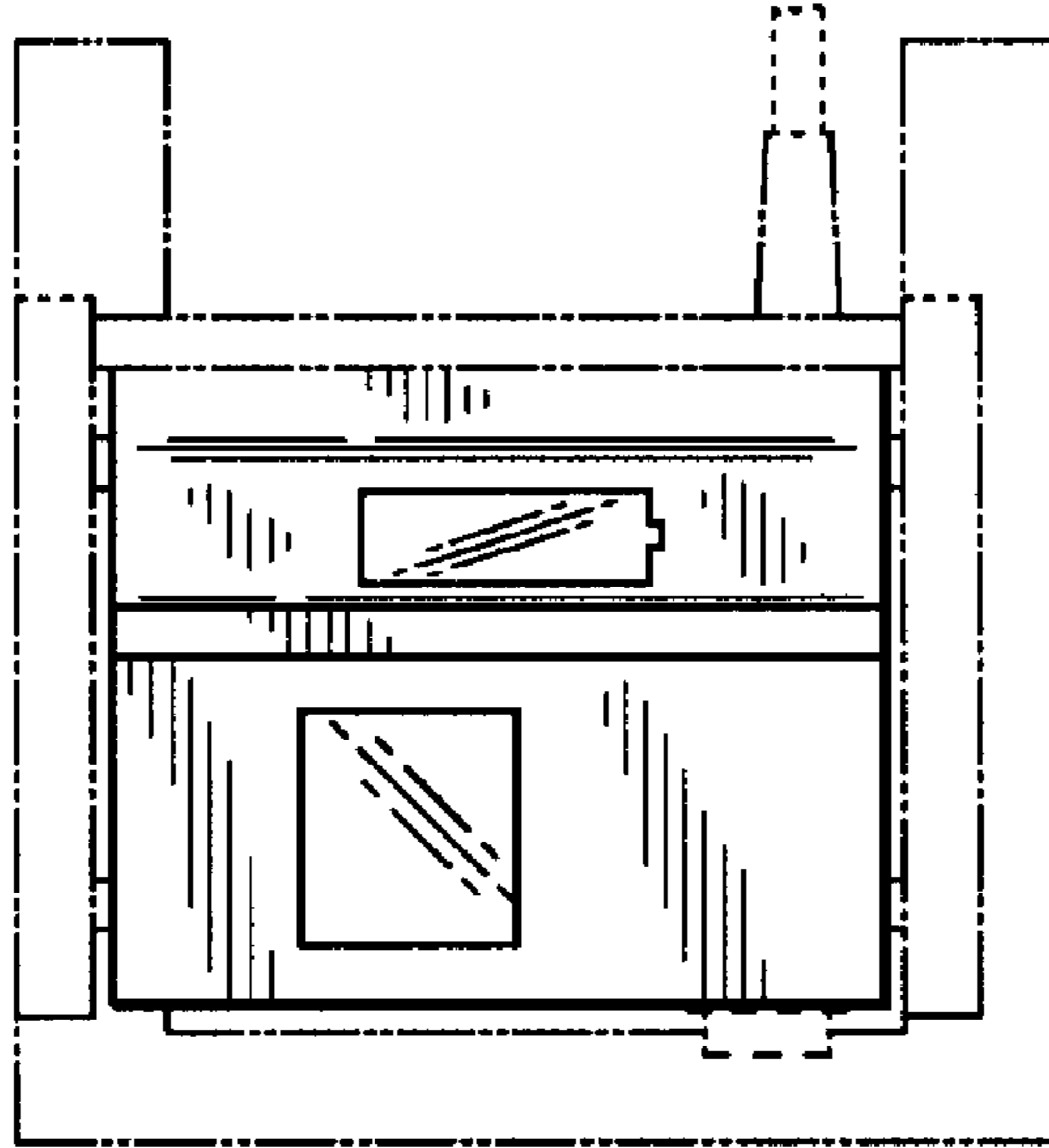


FIG. 7

