



US00D525591S

(12) **United States Design Patent**
Christianson

(10) **Patent No.:** **US D525,591 S**

(45) **Date of Patent:** **** *Jul. 25, 2006**

(54) **MEDIA CONNECTOR**

(75) Inventor: **Tristan Michael Christianson**, San Francisco, CA (US)

(73) Assignee: **Sharper Image Corporation**, San Francisco, CA (US)

(*) Notice: This patent is subject to a terminal disclaimer.

(**) Term: **14 Years**

(21) Appl. No.: **29/232,483**

(22) Filed: **Jun. 20, 2005**

(51) **LOC (8) Cl.** **13-03**

(52) **U.S. Cl.** **D13/154**

(58) **Field of Classification Search** D13/133,
D13/139.7, 154, 156; D14/217, 356, 432,
D14/433, 447; D9/516, 526, 523, 737, 738,
D9/751; 206/409, 701, 702; 439/620; 174/135,
174/138 F; 381/182, 370, 371

See application file for complete search history.

(56) **References Cited**

U.S. PATENT DOCUMENTS

D256,010 S	*	7/1980	Fry	D13/156
4,650,073 A	*	3/1987	Young	206/409
D331,907 S	*	12/1992	Hollander et al.	D13/133
D332,084 S	*	12/1992	Hollander et al.	D13/133
D357,416 S	*	4/1995	Valentine	D9/516
D382,542 S	*	8/1997	Nakamura	D13/156
D390,193 S	*	2/1998	Ronchetti	D13/156
D390,194 S	*	2/1998	Thomas	D13/158
D390,536 S	*	2/1998	Austin	D13/156
D393,830 S	*	4/1998	Tobler et al.	D13/133
5,887,720 A	*	3/1999	Lin	206/702
D408,384 S	*	4/1999	Hata et al.	D14/433
D413,301 S	*	8/1999	Goto et al.	D13/133
D434,663 S	*	12/2000	Jones et al.	D9/516
6,183,304 B1	*	2/2001	Hollander et al.	439/620
D449,583 S	*	10/2001	Goto	D13/154
D459,303 S	*	6/2002	Florescu	D13/133
D465,784 S	*	11/2002	Lin	D14/433

D469,770 S	*	2/2003	Carpenter et al.	D14/433
D475,682 S	*	6/2003	Li et al.	D13/133
D485,185 S	*	1/2004	Versace	D9/523
D489,069 S	*	4/2004	Lin	D14/433
D501,447 S	*	2/2005	Greenwood et al.	D13/133
2005/0145522 A1	*	7/2005	Bloodworth et al.	206/409

* cited by examiner

Primary Examiner—Holly Baynham

Assistant Examiner—Cynthia M. Chin

(74) *Attorney, Agent, or Firm*—Bell Boyd & Lloyd LLC

(57) **CLAIM**

The ornamental design for a media connector, as shown and described.

DESCRIPTION

FIG. 1 is a perspective view of the present media connector, wherein the portion of the media connector shown in phantom is not part of the design sought to be patented and is provided for environmental purposes only.

FIG. 2 is a front view of FIG. 1, wherein the portion of the media connector shown in phantom is not part of the design sought to be patented and is provided for environmental purposes only.

FIG. 3 is a top view of FIG. 1, wherein the portion of the media connector shown in phantom is not part of the design sought to be patented and is provided for environmental purposes only.

FIG. 4 is a bottom view of FIG. 1, wherein the portion of the media connector shown in phantom is not part of the design sought to be patented and is provided for environmental purposes only.

FIG. 5 is a left side view of FIG. 1, wherein the portion of the media connector shown in phantom is not part of the design sought to be patented and is provided for environmental purposes only; and,

FIG. 6 is a right side view of FIG. 1, wherein the portion of the media connector shown in phantom is not part of the claimed design sought to be patented and is provided for environmental purposes only.

1 Claim, 3 Drawing Sheets

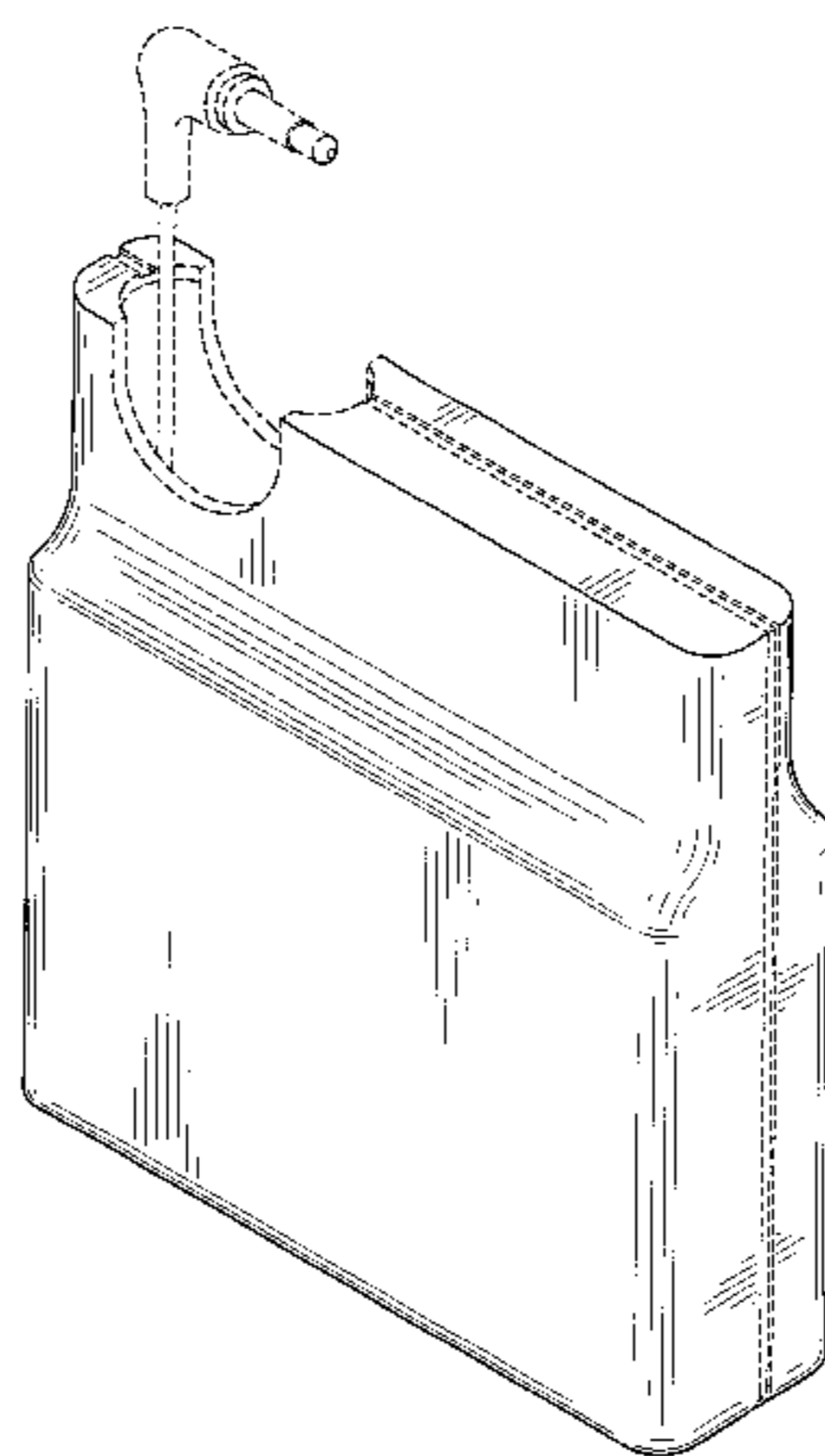


FIG.1

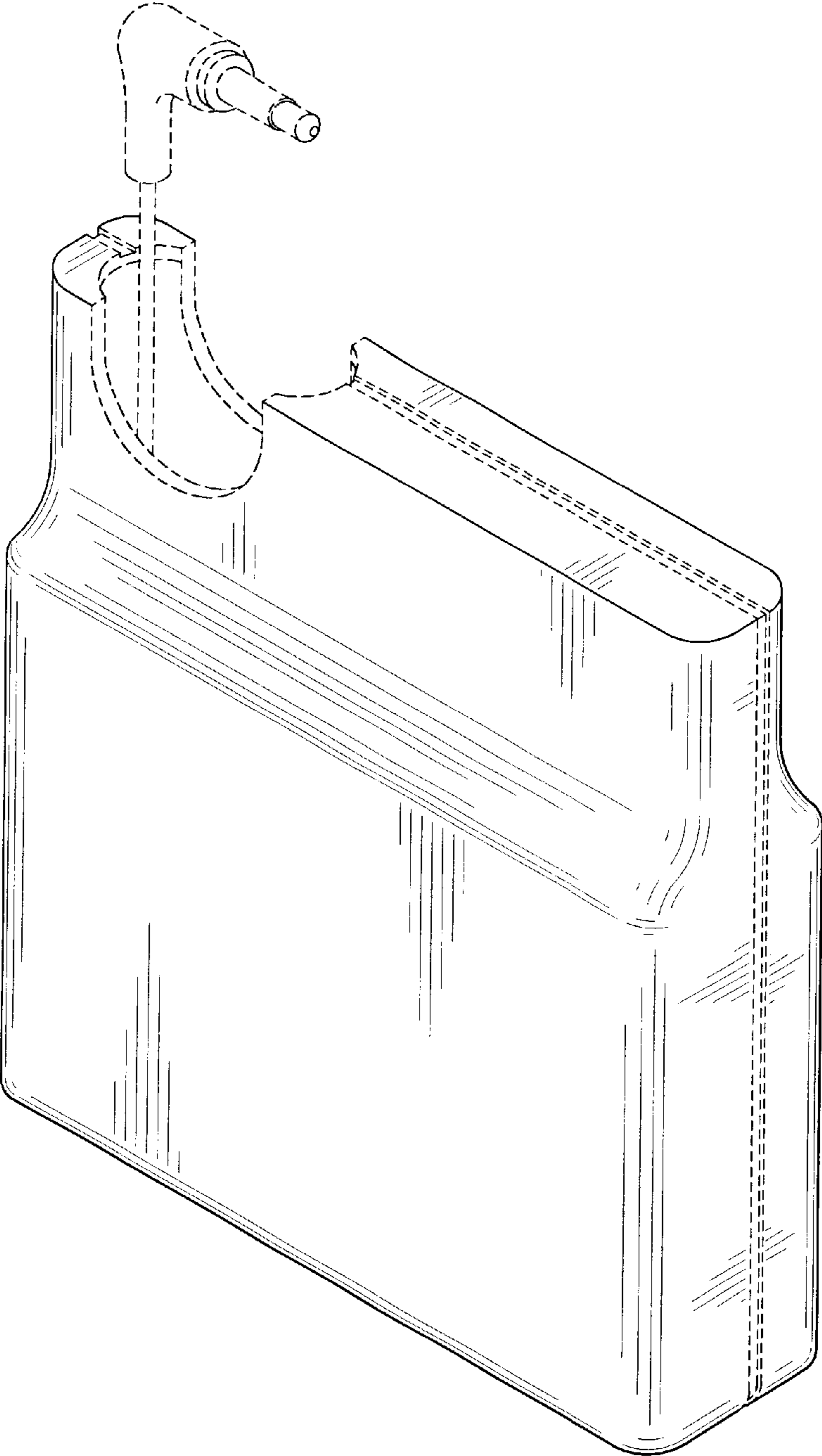


FIG. 2

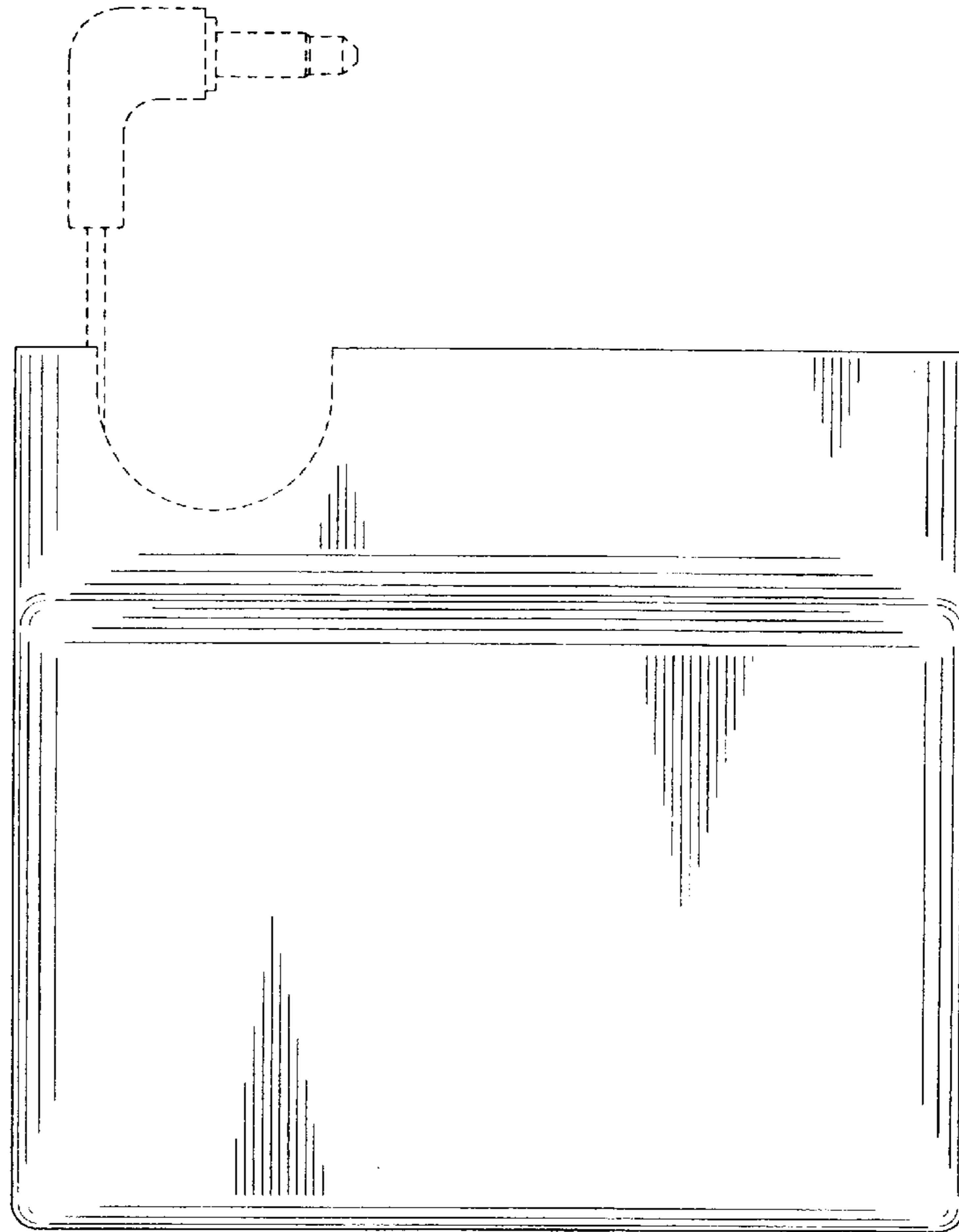


FIG. 3

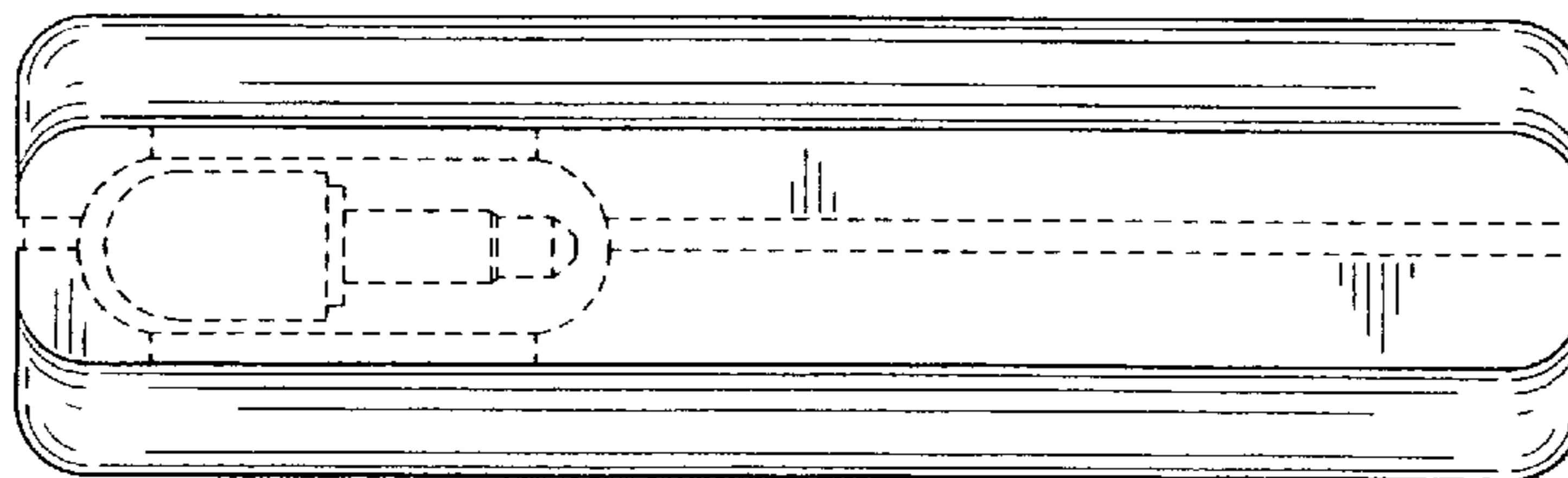


FIG. 4

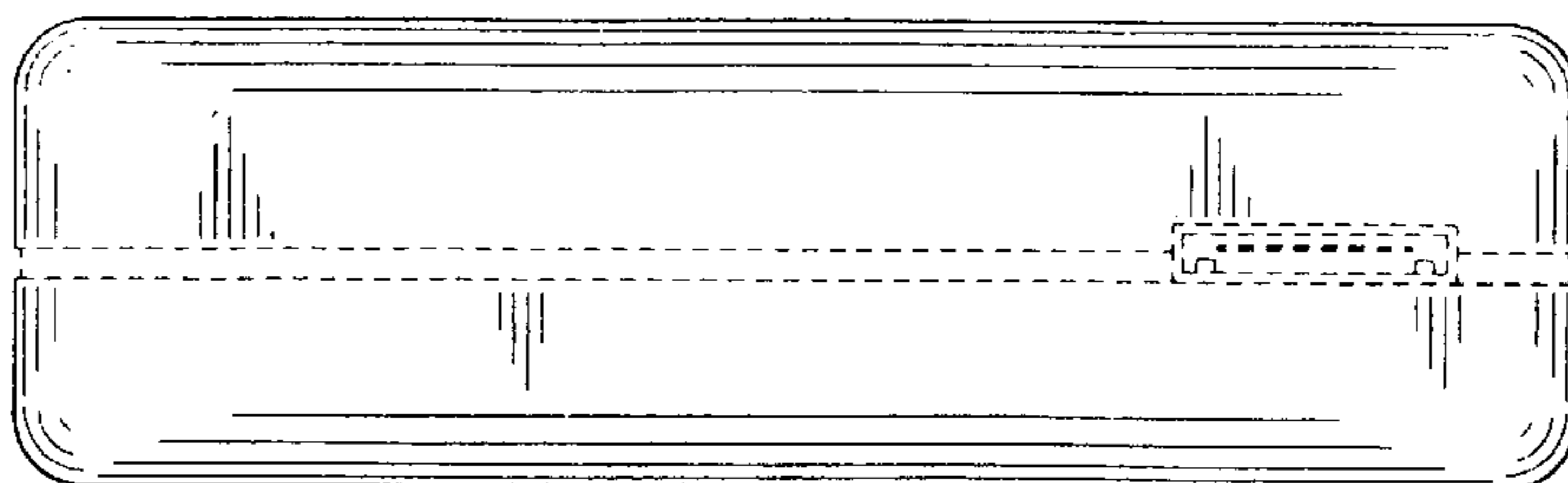


FIG.5

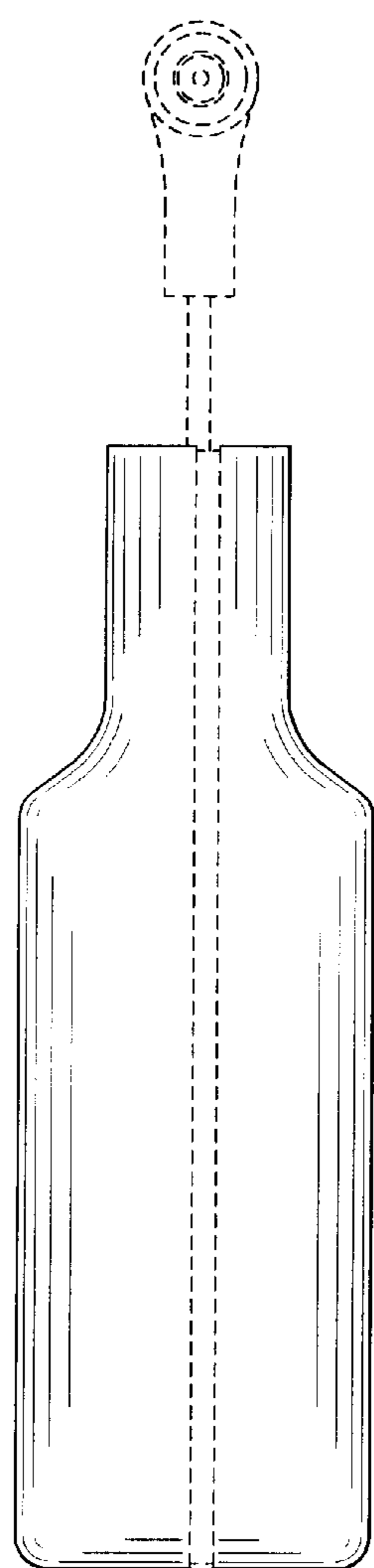


FIG.6

