



US00D525590S

(12) **United States Design Patent**
Huang

(10) **Patent No.:** **US D525,590 S**

(45) **Date of Patent:** **** Jul. 25, 2006**

(54) **ELECTRICAL CONNECTOR**

(76) Inventor: **George Ying-Liang Huang**, 9
Studebaker, Irvine, CA (US) 92618

(**) Term: **14 Years**

(21) Appl. No.: **29/243,204**

(22) Filed: **Nov. 21, 2005**

(51) **LOC (8) Cl.** **13-03**

(52) **U.S. Cl.** **D13/147**

(58) **Field of Classification Search** D13/133,
D13/146-147, 154, 184, 199; 439/346, 350,
439/352-353, 607-610, 676-677, 680-681
See application file for complete search history.

(56) **References Cited**

U.S. PATENT DOCUMENTS

D310,513 S	*	9/1990	Tajima	D13/146
5,462,457 A	*	10/1995	Schroepfer et al.	439/736
D390,829 S	*	2/1998	Kato	D13/147
D444,128 S	*	6/2001	Tan et al.	D13/147
6,368,141 B1	*	4/2002	VanAntwerp et al.	439/353

6,659,801 B1 * 12/2003 Nishio et al. 439/610
2005/0282424 A1 * 12/2005 Huang et al. 439/353

* cited by examiner

Primary Examiner—Stella Reid

Assistant Examiner—Daniel Bui

(74) *Attorney, Agent, or Firm*—Whyte Hirschboeck Dudek
SC

(57) **CLAIM**

The ornamental design for electrical connector, as shown
and described.

DESCRIPTION

FIG. 1 is a perspective view of electrical connector showing
my new design;

FIG. 2 is a front elevational view thereof;

FIG. 3 is a rear elevational view thereof;

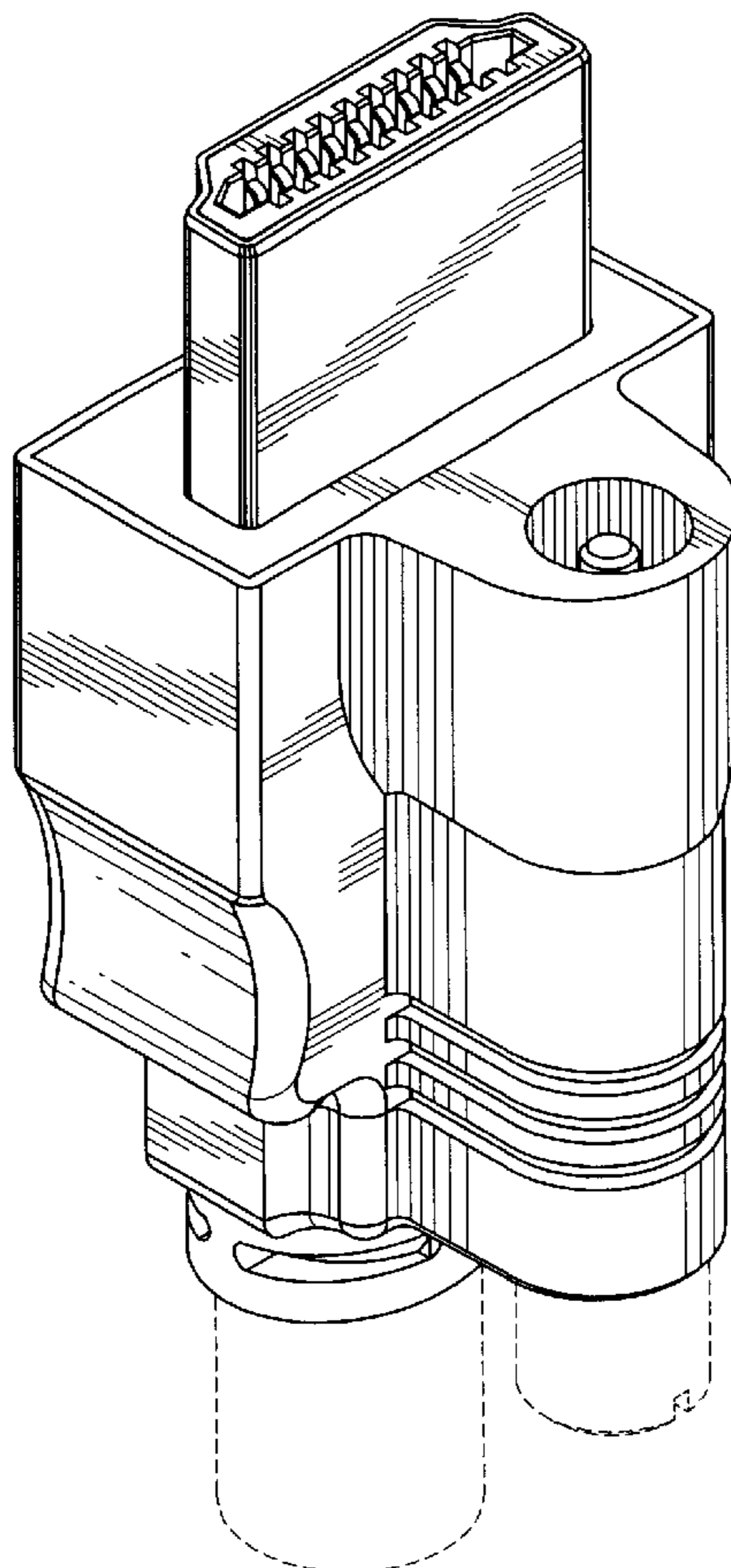
FIG. 4 is a left side elevational view thereof;

FIG. 5 is a right side elevational view thereof;

FIG. 6 is a top plan view thereof; and,

FIG. 7 is a bottom plan view thereof.

1 Claim, 3 Drawing Sheets



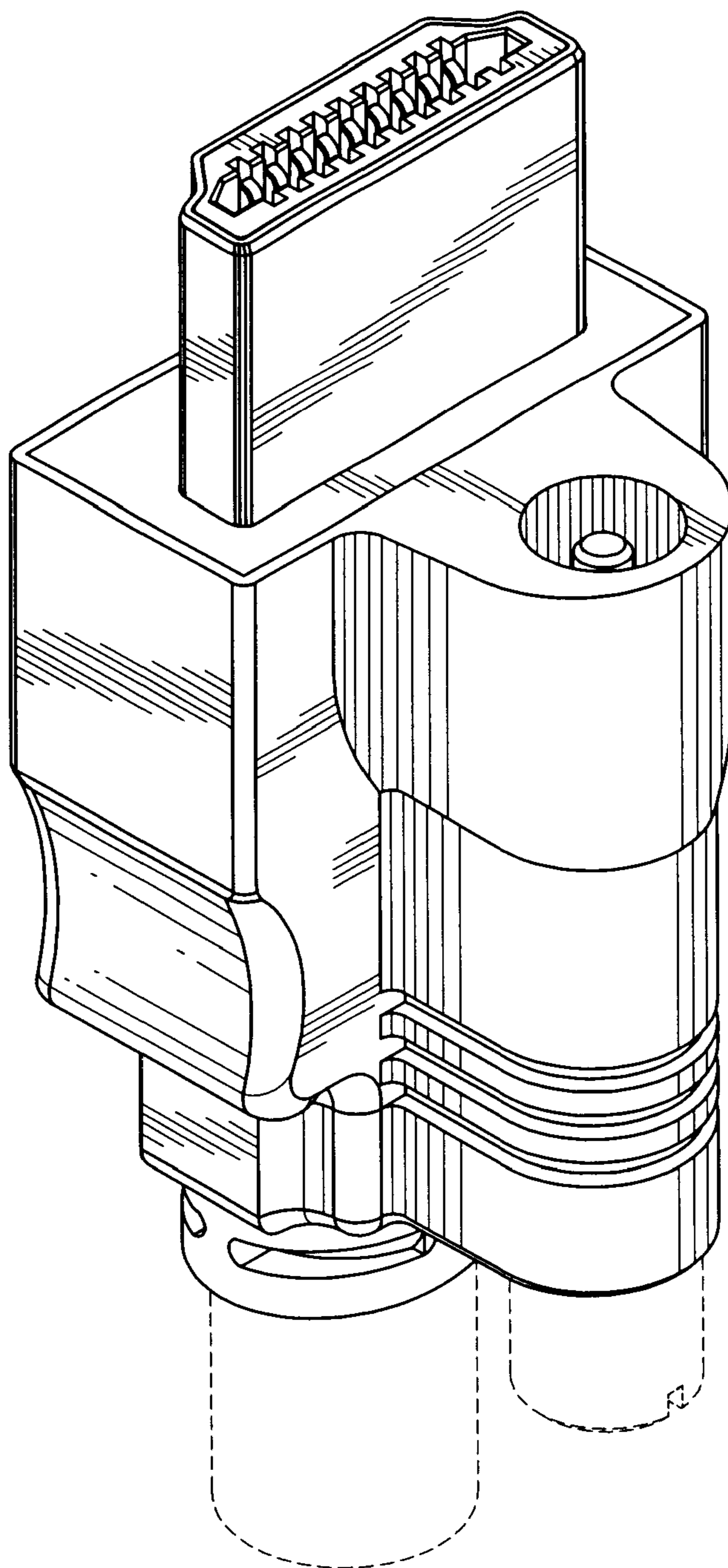


FIG. 1

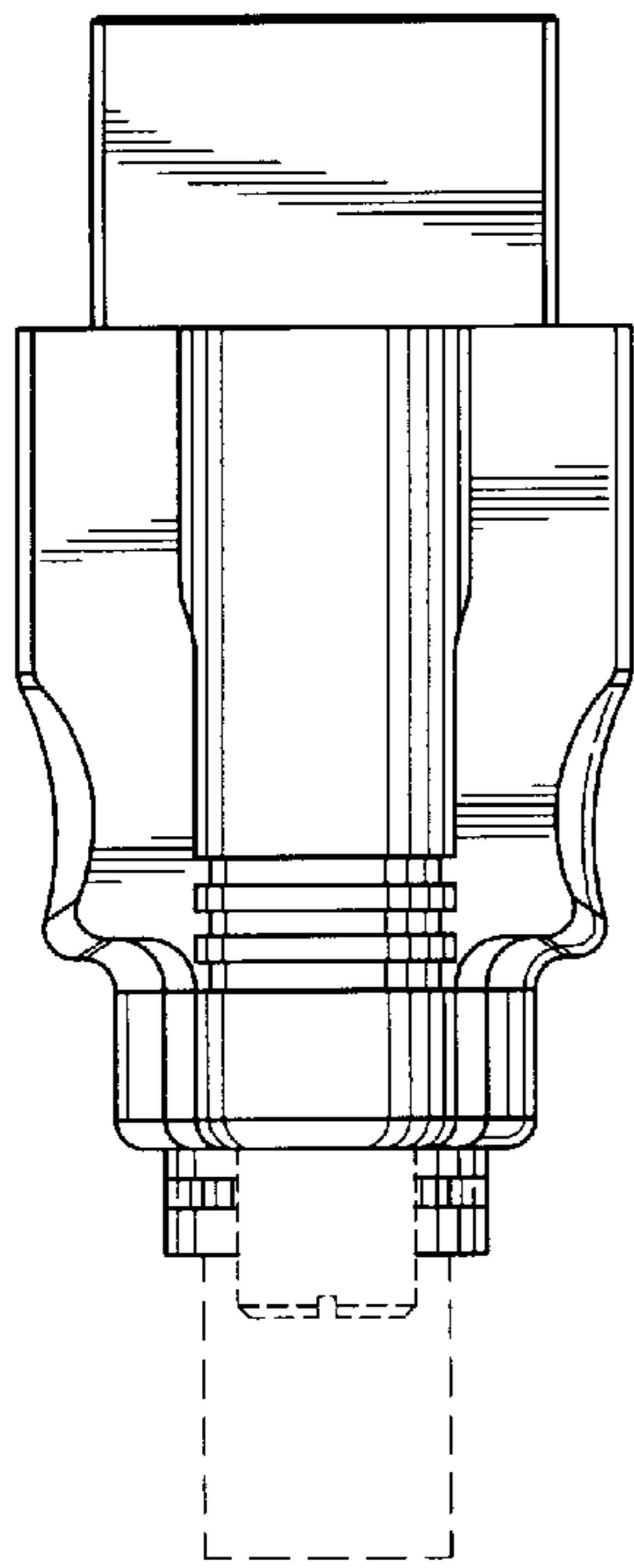


FIG. 2

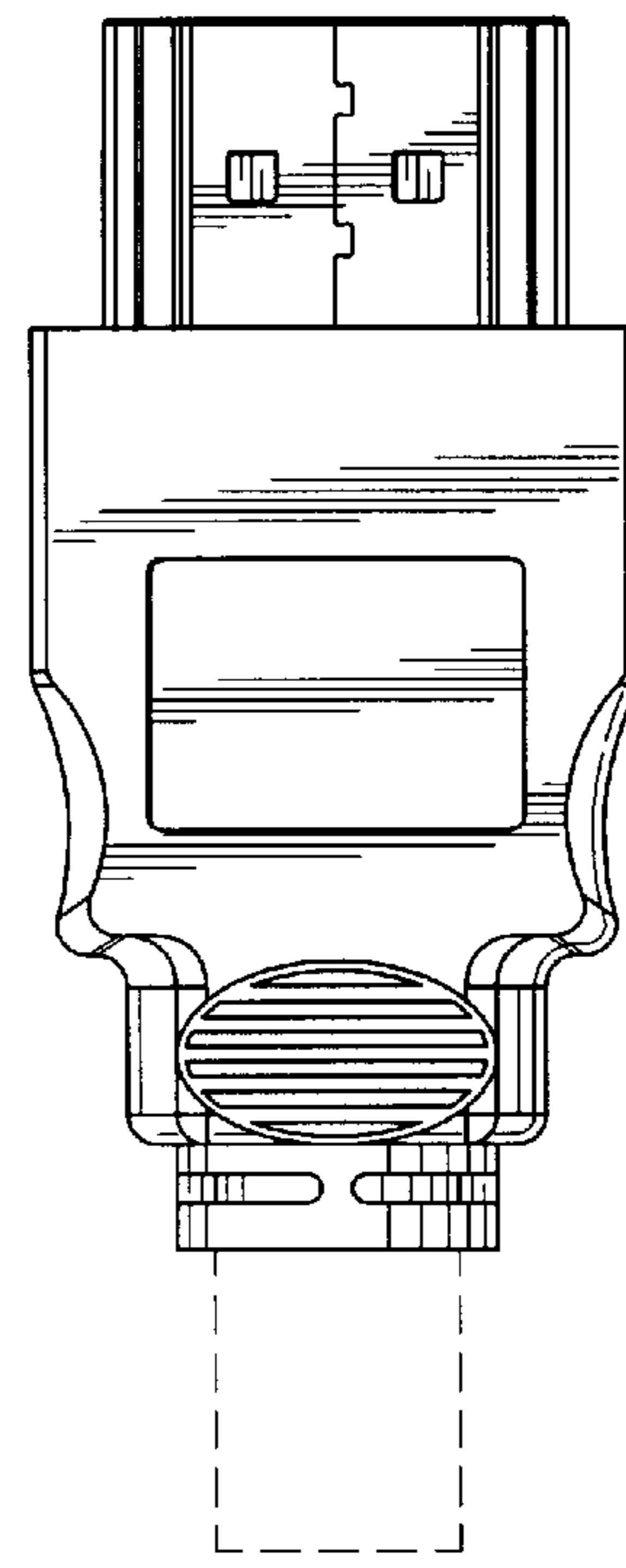


FIG. 3

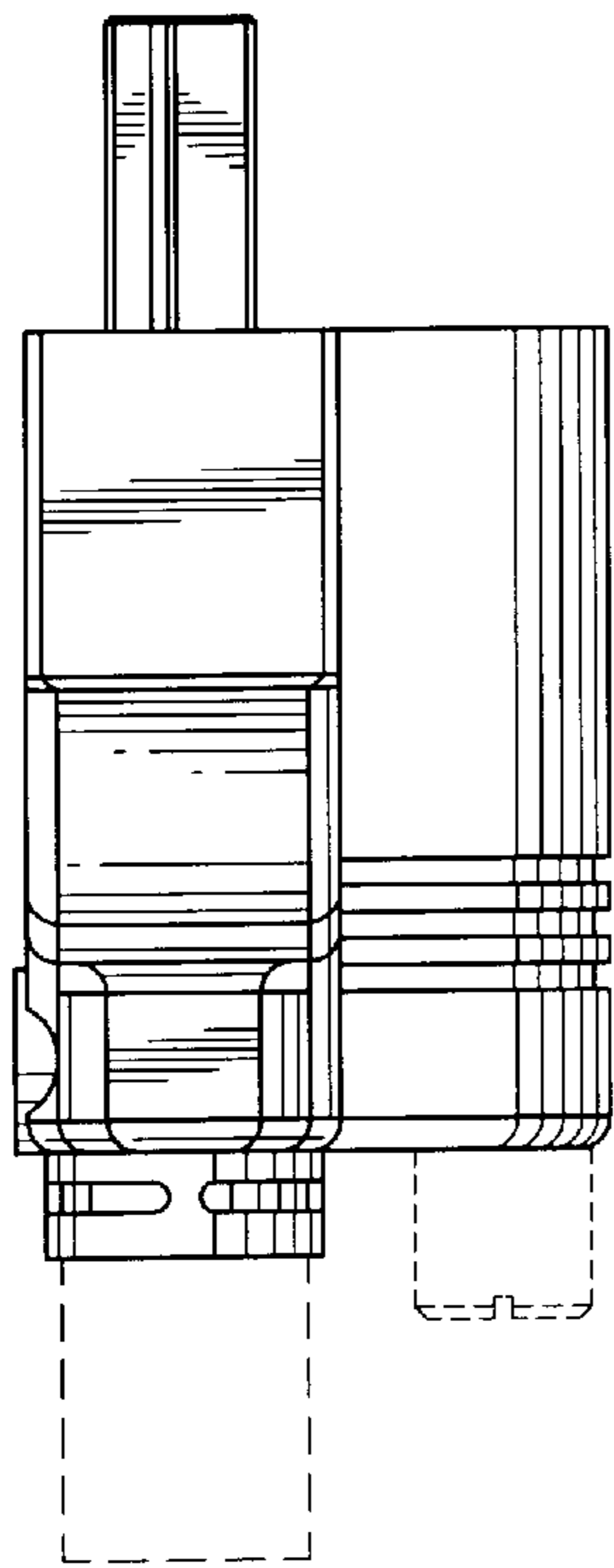


FIG. 4

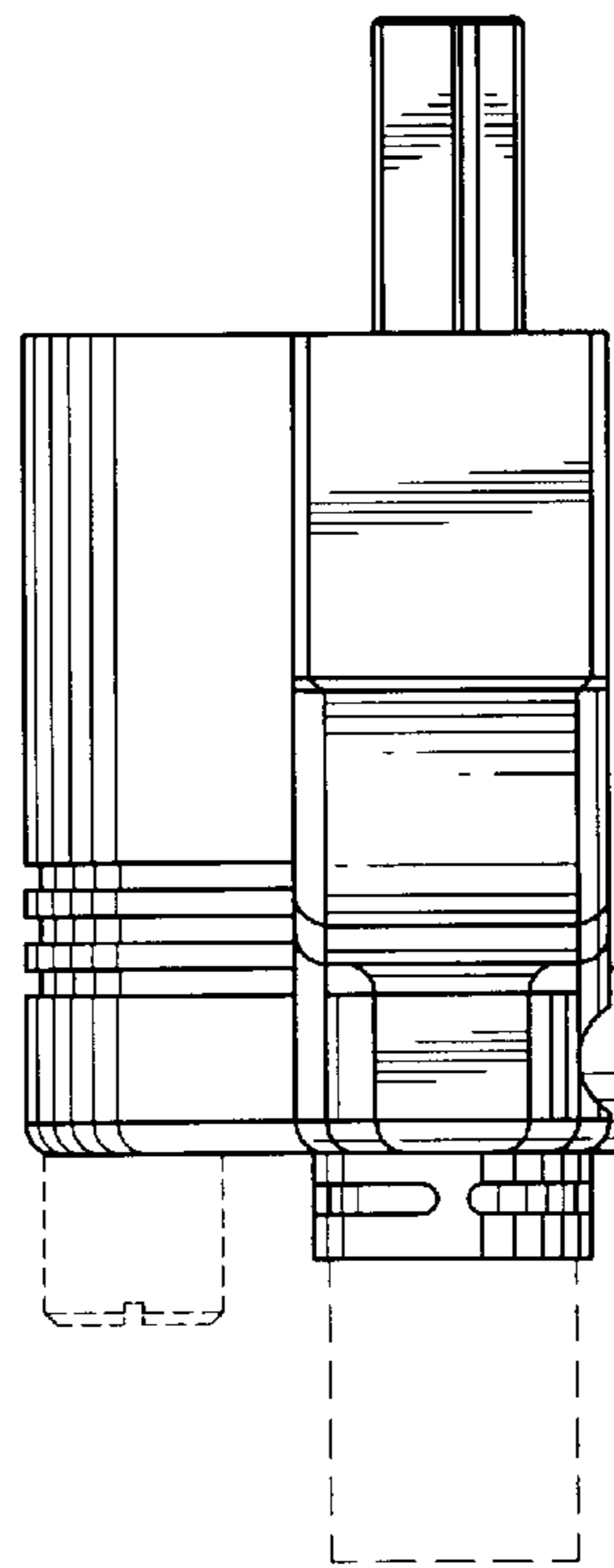


FIG. 5

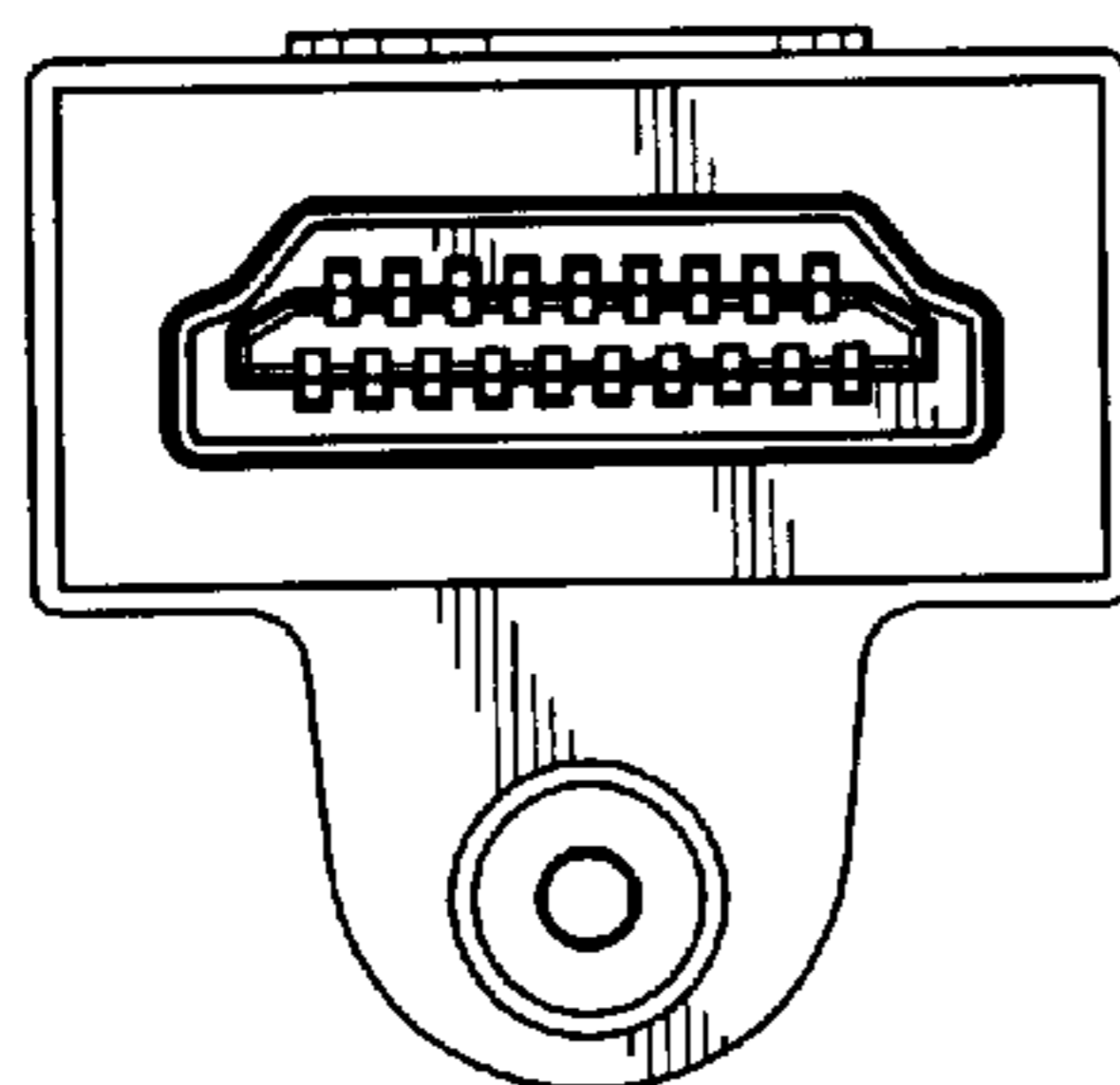


FIG. 6

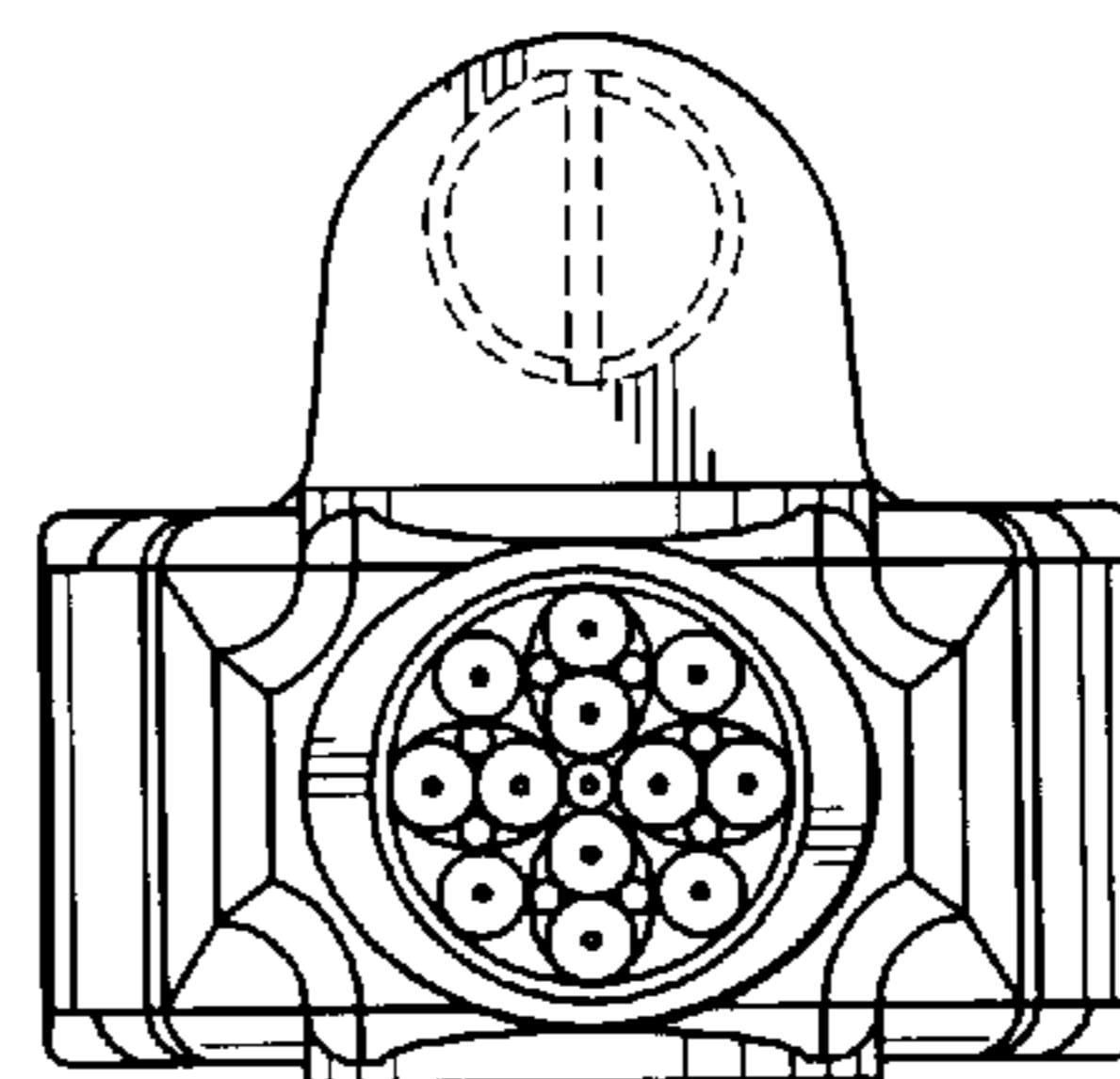


FIG. 7