

US00D525589S

(12) **United States Design Patent**
Wu

(10) **Patent No.:** **US D525,589 S**

(45) **Date of Patent:** **** Jul. 25, 2006**

(54) **ELECTRICAL CONNECTOR**

(75) Inventor: **Zhe Feng Wu**, Kunshan (CN)

(73) Assignee: **Hon Hai Precision Ind. Co., Ltd.**,
Taipei Hsien (TW)

(**) Term: **14 Years**

(21) Appl. No.: **29/238,161**

(22) Filed: **Sep. 12, 2005**

(30) **Foreign Application Priority Data**

Apr. 28, 2005 (CN) 200530083295

(51) **LOC (8) Cl.** **13-03**

(52) **U.S. Cl.** **D13/147**

(58) **Field of Classification Search** D13/133,
D13/146-147, 154, 184, 199; 439/76.1, 79,
439/108, 607-610

See application file for complete search history.

(56) **References Cited**

U.S. PATENT DOCUMENTS

D295,971 S * 5/1988 Kikuta D13/147
D367,040 S * 2/1996 Hamada D13/147

D416,865 S * 11/1999 Chiou D13/147
D418,479 S * 1/2000 Chiou D13/147
D421,742 S * 3/2000 Katoh D13/147
D455,719 S * 4/2002 Wu D13/147
D482,002 S * 11/2003 Suzuki et al. D13/147
6,659,799 B1 * 12/2003 Yang 439/607
6,659,801 B1 * 12/2003 Nishio et al. 439/610

* cited by examiner

Primary Examiner—Stella Reid
Assistant Examiner—Daniel Bui

(74) *Attorney, Agent, or Firm*—Wei Te Chung

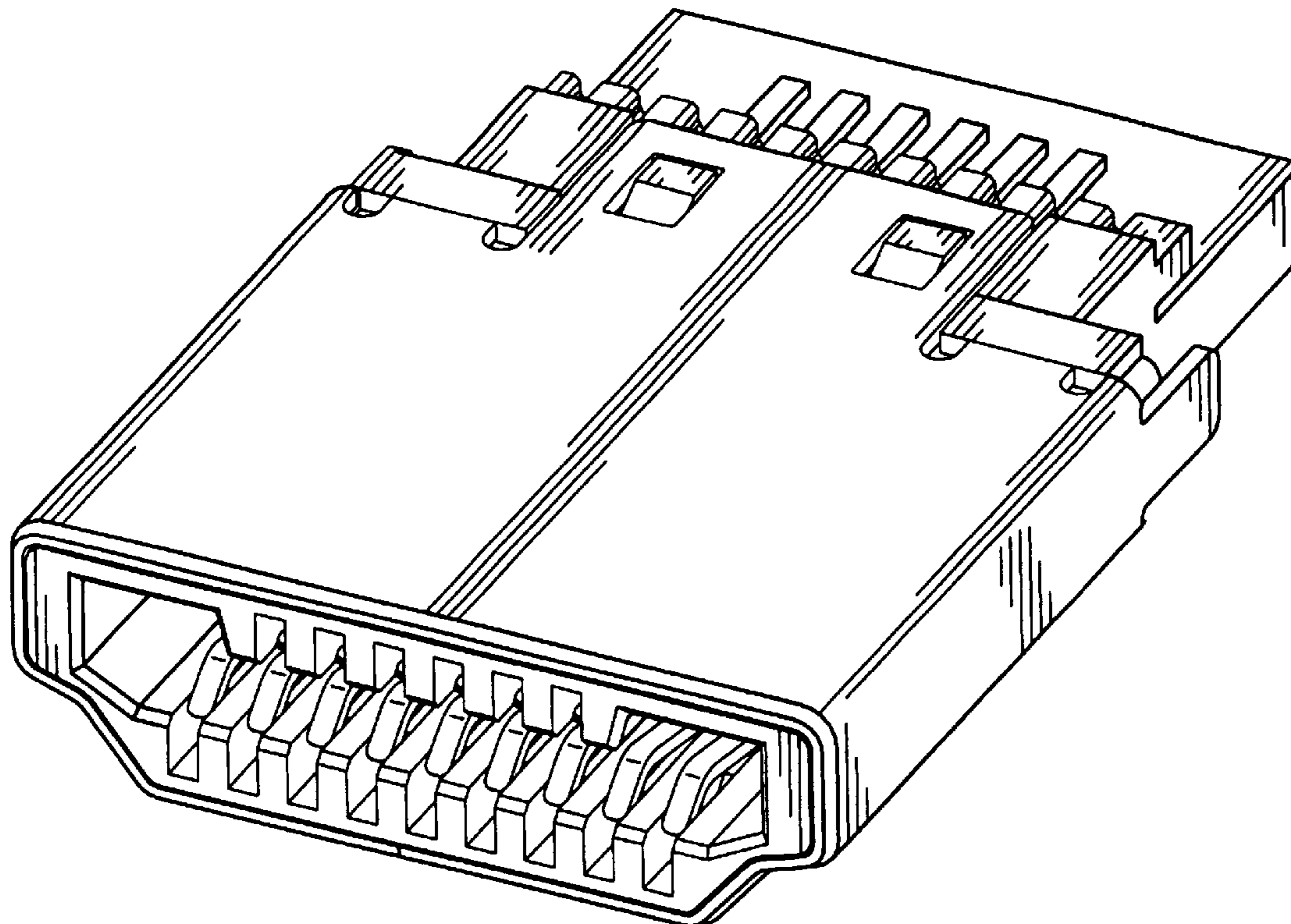
(57) **CLAIM**

The ornamental design for an electrical connector, as shown.

DESCRIPTION

FIG. 1 is a front, top and right side perspective view of an electrical connector;
FIG. 2 is a front elevational view thereof;
FIG. 3 is a rear elevational view thereof;
FIG. 4 is a left side elevational view thereof;
FIG. 5 is a right side elevational view thereof;
FIG. 6 is a top plan view thereof; and,
FIG. 7 is a bottom plan view thereof.

1 Claim, 7 Drawing Sheets



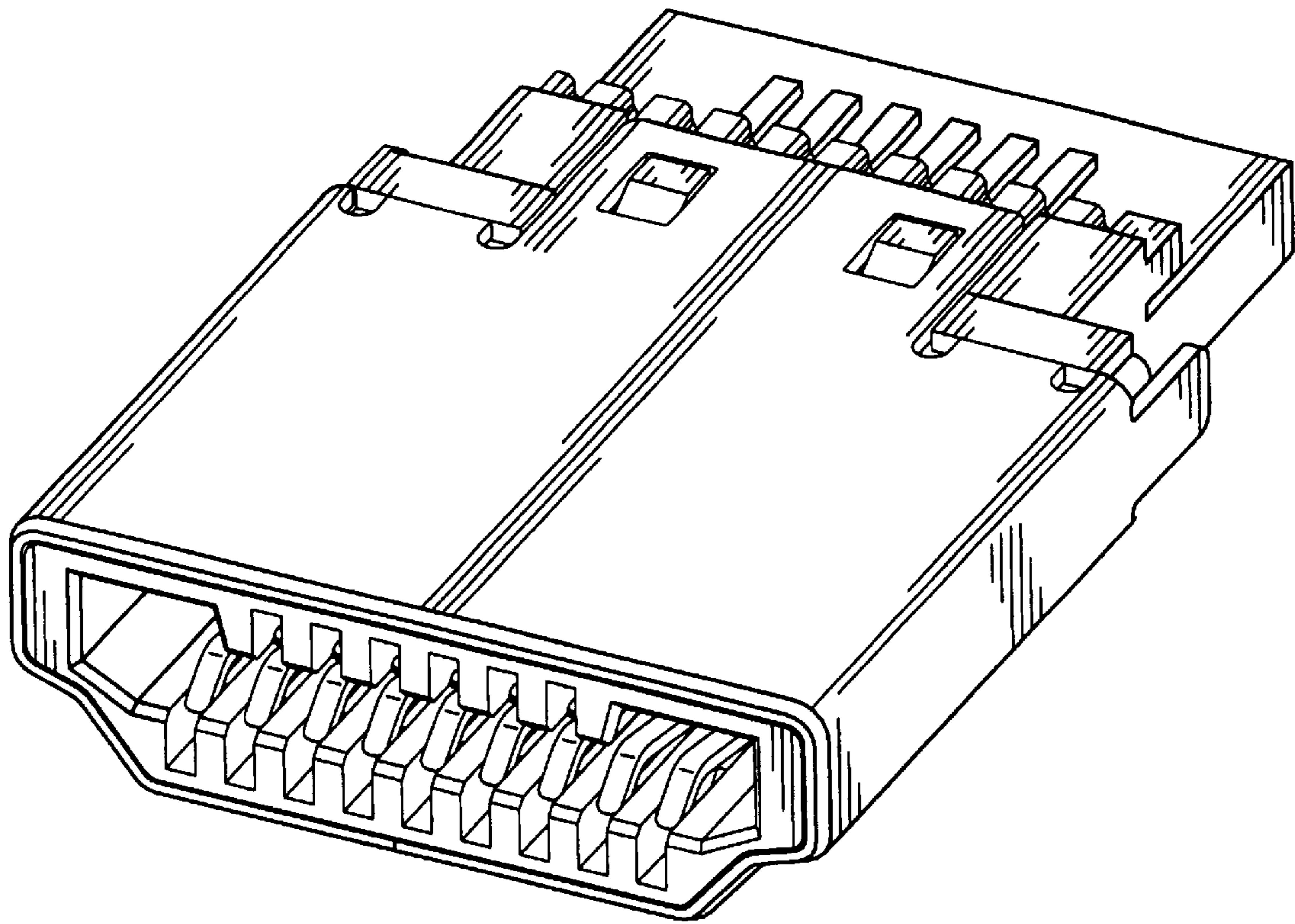


FIG. 1

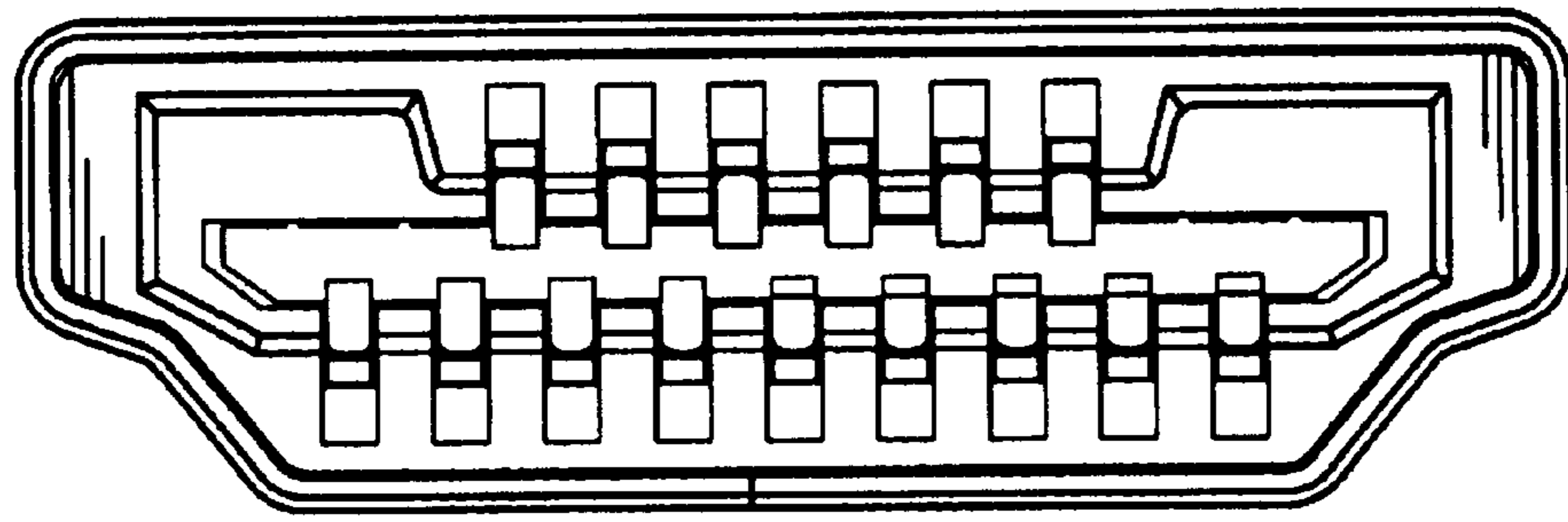


FIG. 2

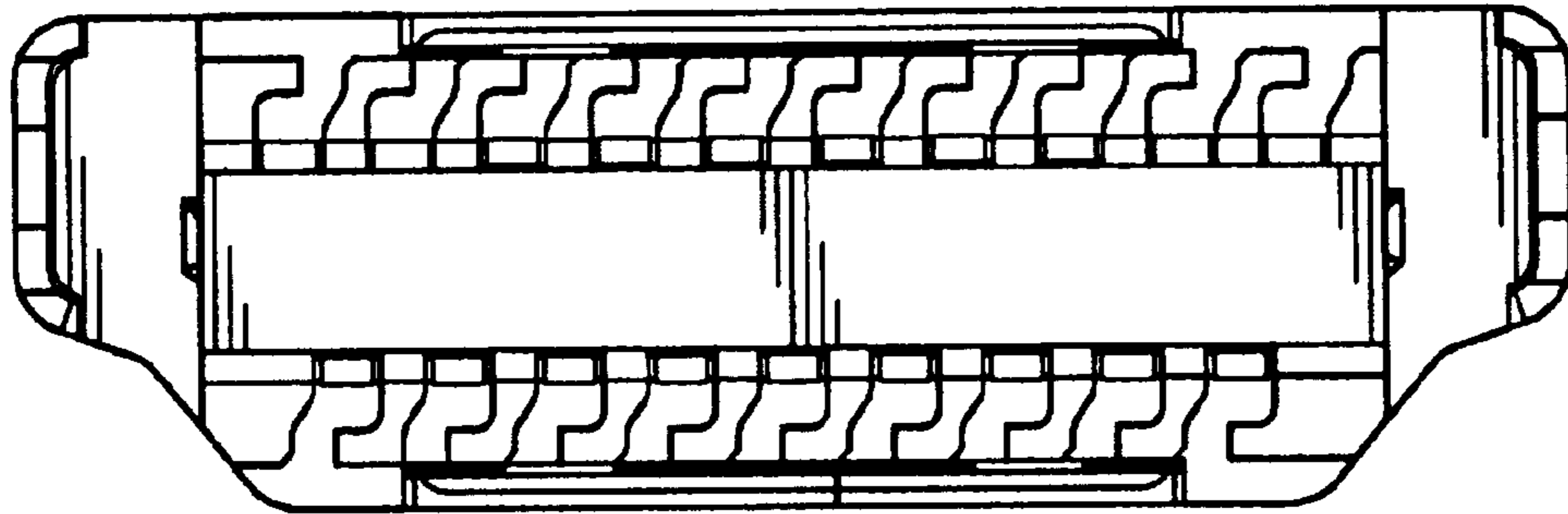


FIG. 3

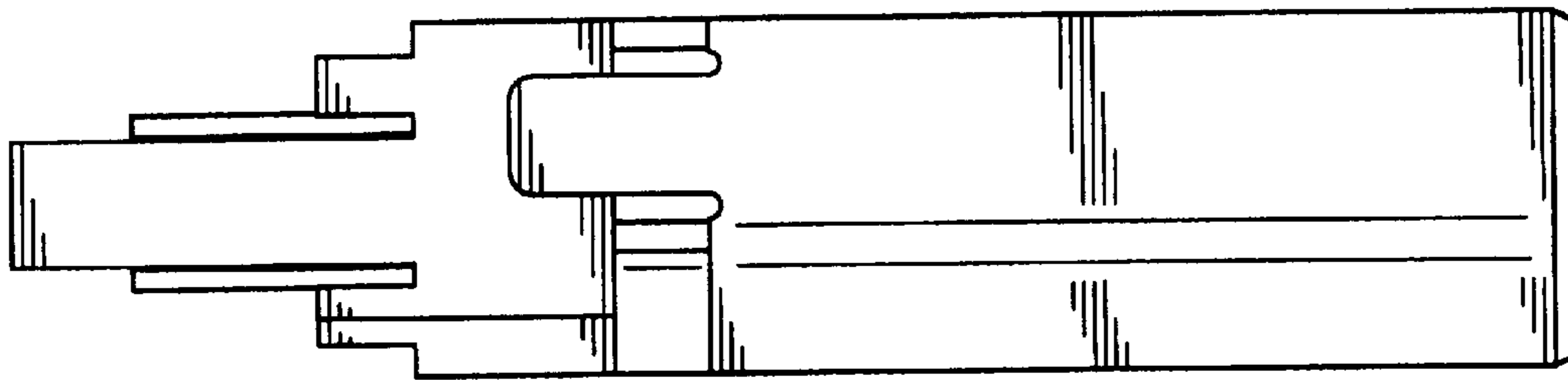


FIG. 4

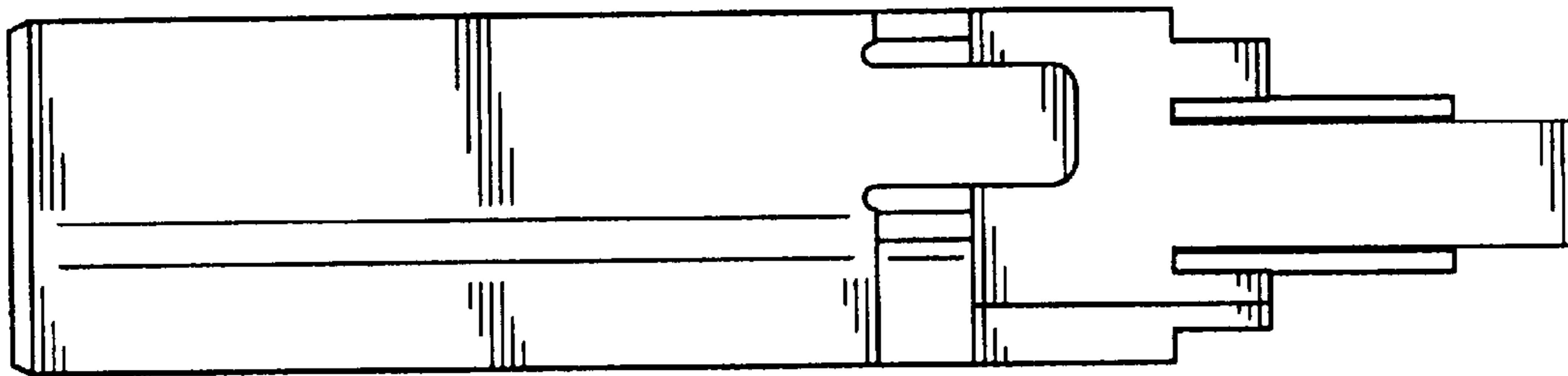


FIG. 5

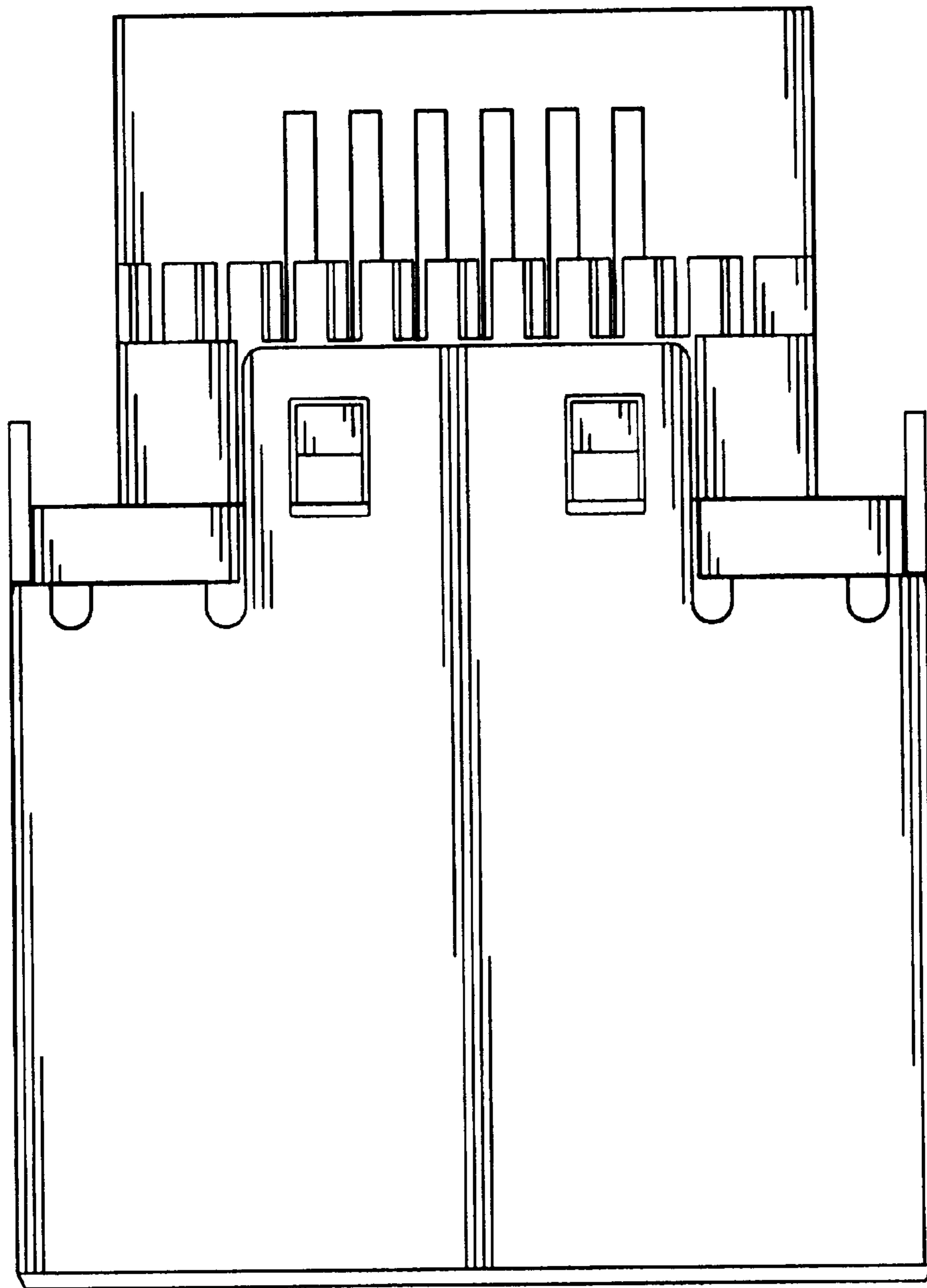


FIG. 6

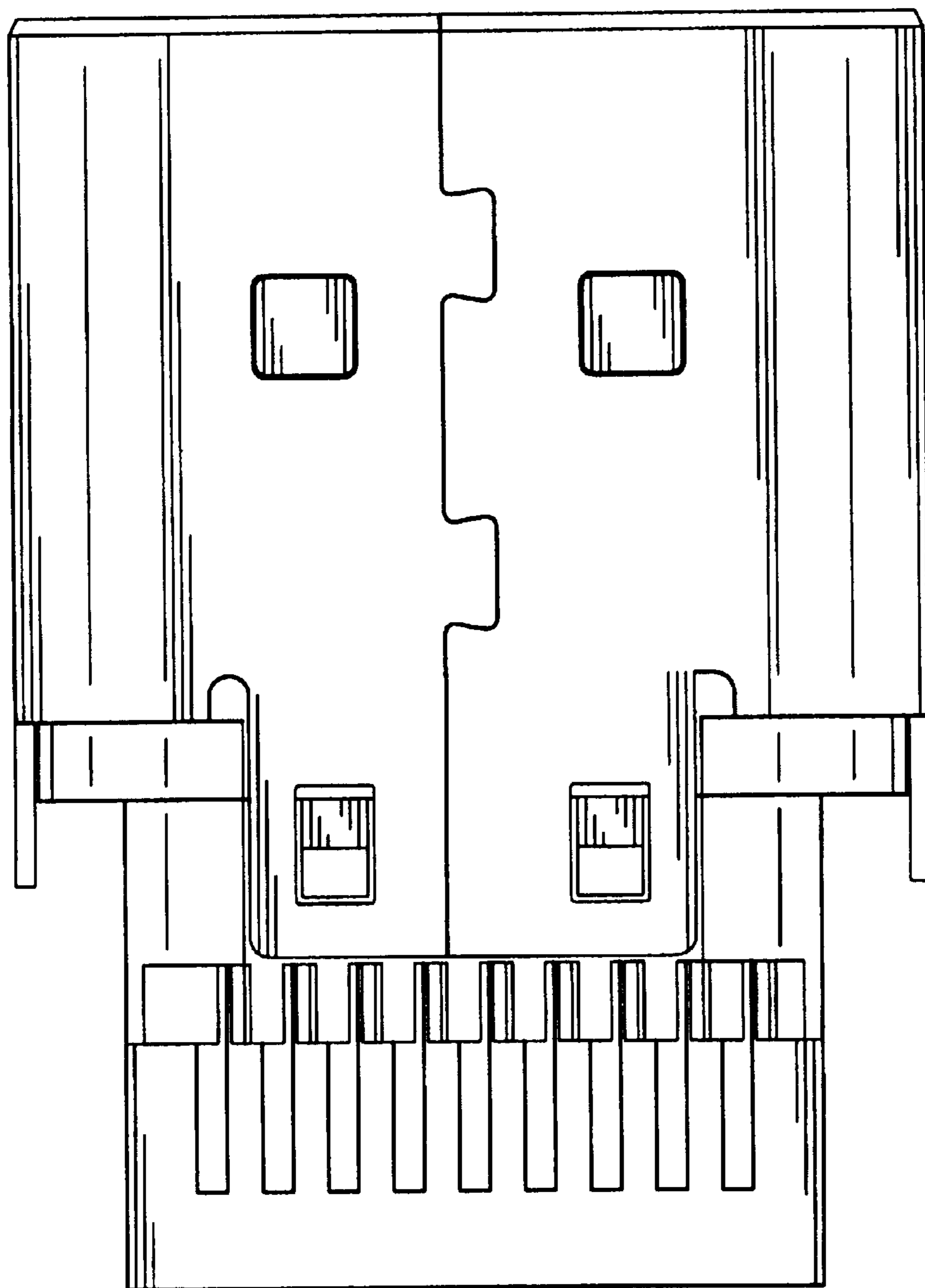


FIG. 7