

US00D525588S

(12) **United States Design Patent**  
**Yi**

(10) **Patent No.:** **US D525,588 S**

(45) **Date of Patent:** **\*\* Jul. 25, 2006**

(54) **ELECTRICAL CONNECTOR**

(76) **Inventor:** **Hong Gang Yi**, 5F 79 Roosevelt Rd.  
Sec. 2, Taipei (TW), 106

(\*\*) **Term:** **14 Years**

(21) **Appl. No.:** **29/224,721**

(22) **Filed:** **Mar. 7, 2005**

(30) **Foreign Application Priority Data**

Sep. 30, 2004 (TW) ..... 93305762

(51) **LOC (8) Cl.** ..... **13-03**

(52) **U.S. Cl.** ..... **D13/147**

(58) **Field of Classification Search** ..... D13/123,  
D13/133, 146, 147, 184, 199; 439/108, 540.1,  
439/541.5, 607, 609  
See application file for complete search history.

(56) **References Cited**

**U.S. PATENT DOCUMENTS**

D409,983 S	*	5/1999	Wu	.....	D13/147
D409,984 S	*	5/1999	Wu	.....	D13/147
D418,480 S	*	1/2000	Yeh	.....	D13/147
D425,867 S	*	5/2000	Lok	.....	D13/147
6,132,254 A	*	10/2000	Wu	.....	439/607
D465,204 S	*	11/2002	Shi et al.	.....	D13/147

D465,765 S	*	11/2002	Zhang et al.	.....	D13/147
D465,768 S	*	11/2002	Zhu et al.	.....	D13/147
D465,769 S	*	11/2002	Zhang et al.	.....	D13/147
D466,084 S	*	11/2002	Zhang et al.	.....	D13/147
D499,381 S	*	12/2004	Hu et al.	.....	D13/147

\* cited by examiner

*Primary Examiner*—Stella Reid  
*Assistant Examiner*—Daniel Bui  
(74) *Attorney, Agent, or Firm*—David Pai Chao-Chaug

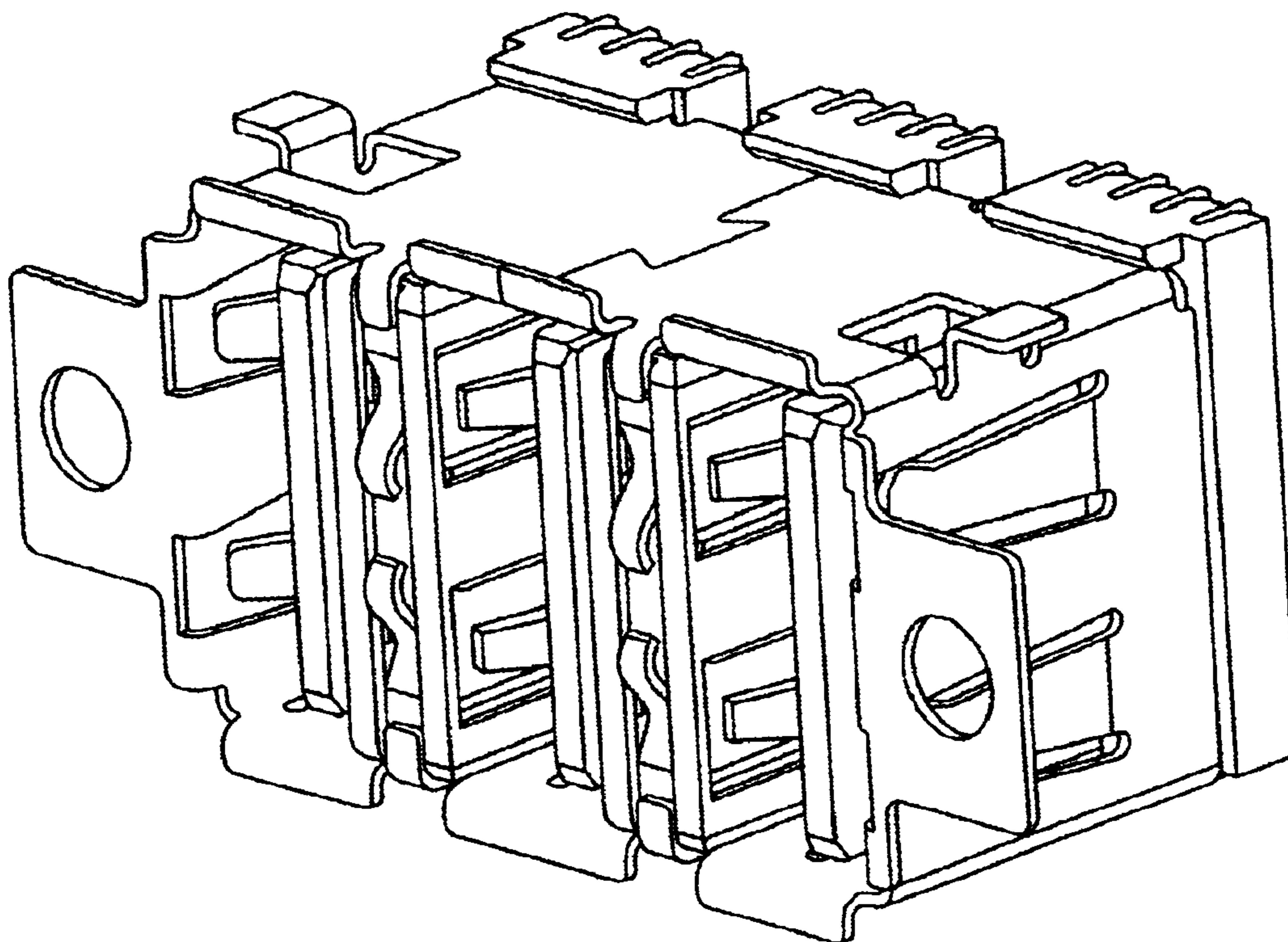
(57) **CLAIM**

The ornamental design for an electrical connector, as shown and described.

**DESCRIPTION**

FIG. 1 is a top, front and left side perspective view of an electrical connector, showing my new design;  
FIG. 2 is a front elevation view thereof;  
FIG. 3 is a rear elevation view thereof;  
FIG. 4 is a top plan view thereof;  
FIG. 5 is a bottom plan view thereof;  
FIG. 6 is a left side elevation view thereof;  
FIG. 7 is a right side elevation view thereof; and,  
FIG. 8 is a bottom, rear and right side perspective view thereof.

**1 Claim, 5 Drawing Sheets**



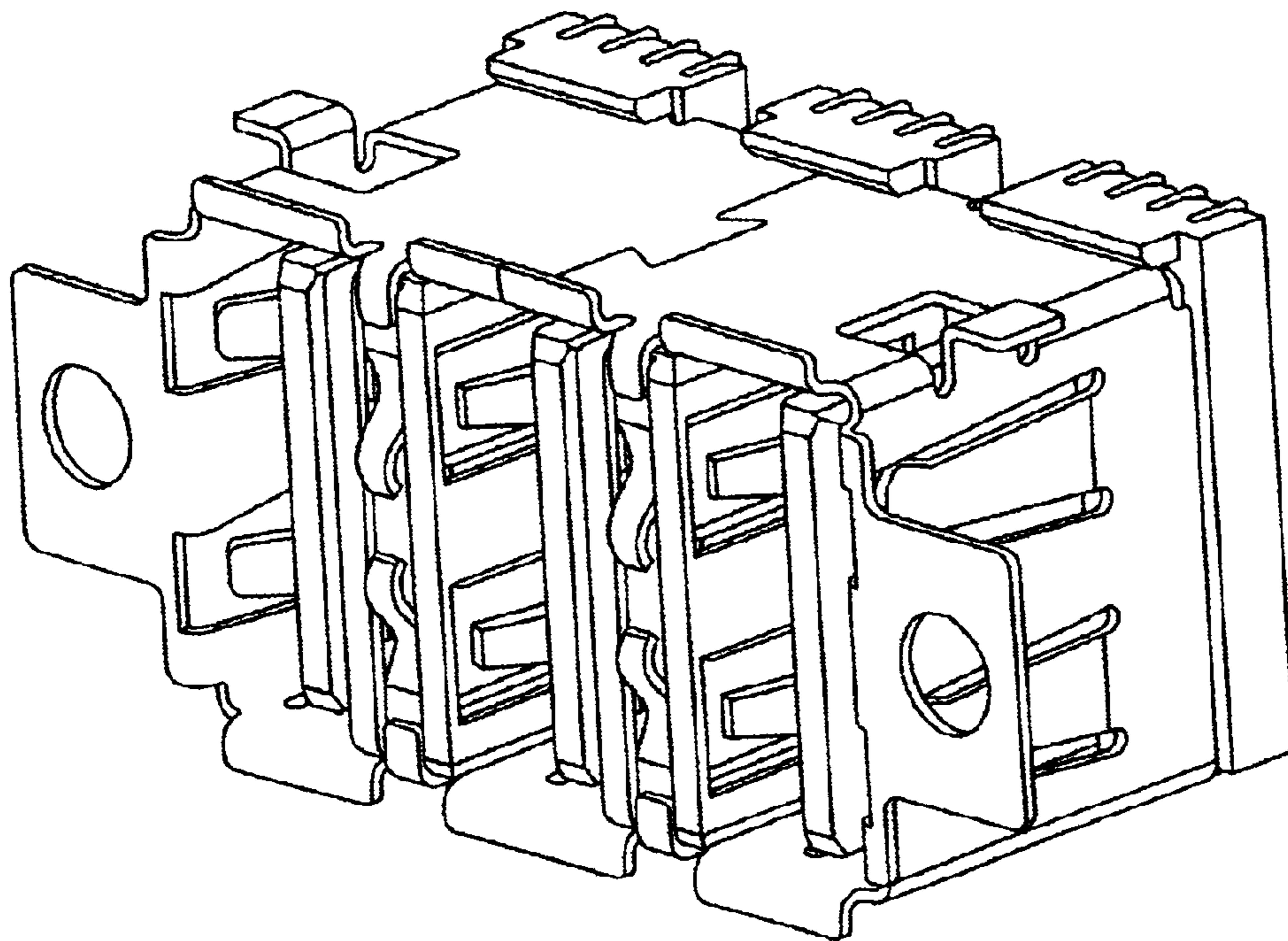


FIG.1

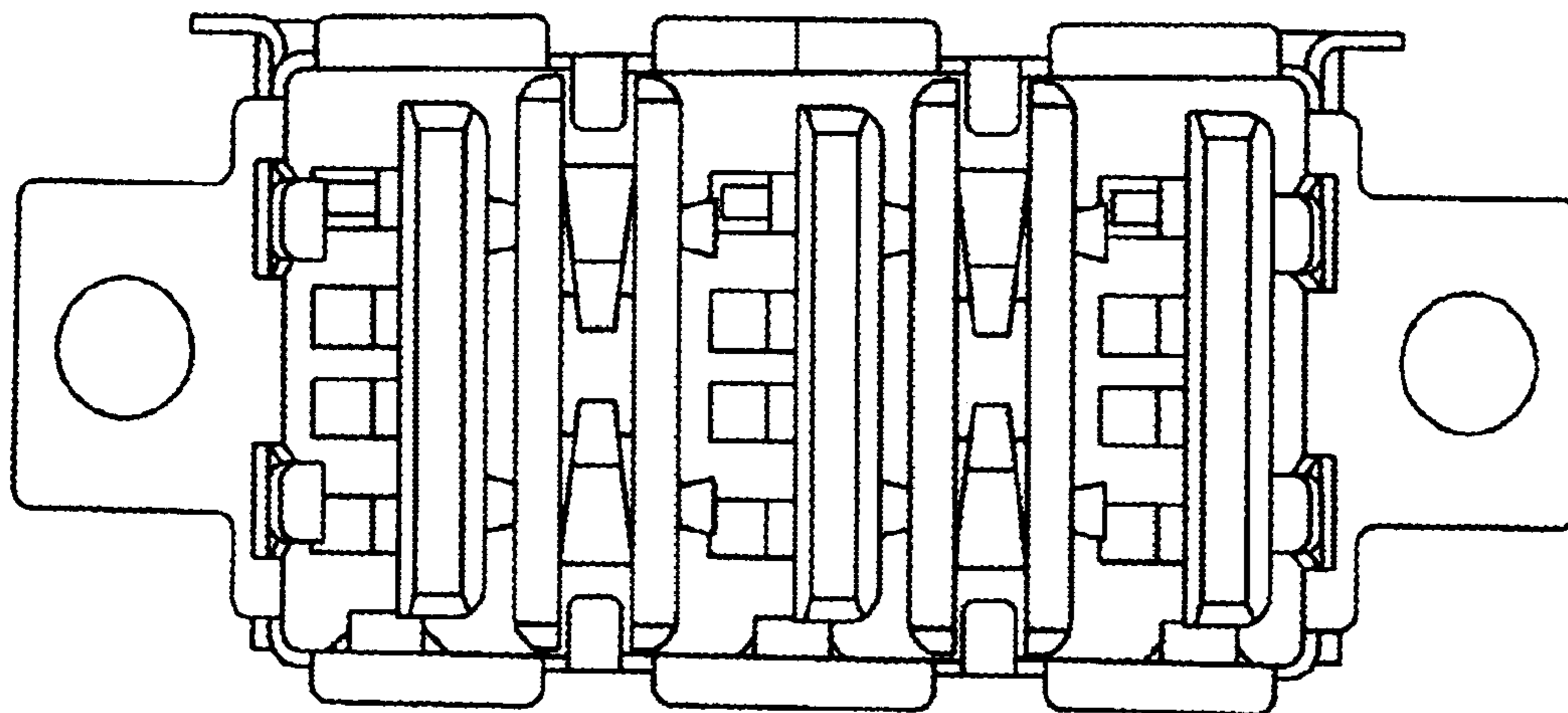


FIG. 2

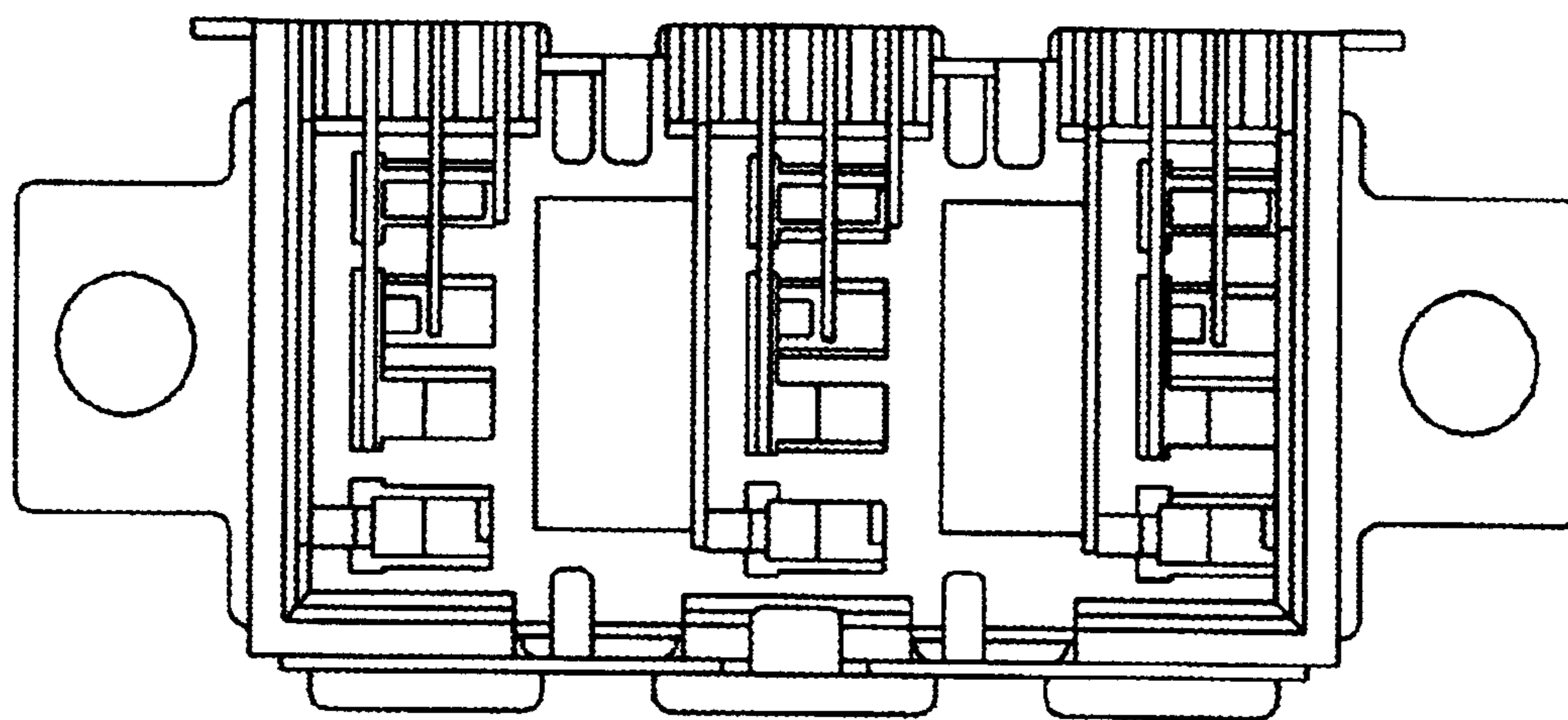


FIG. 3

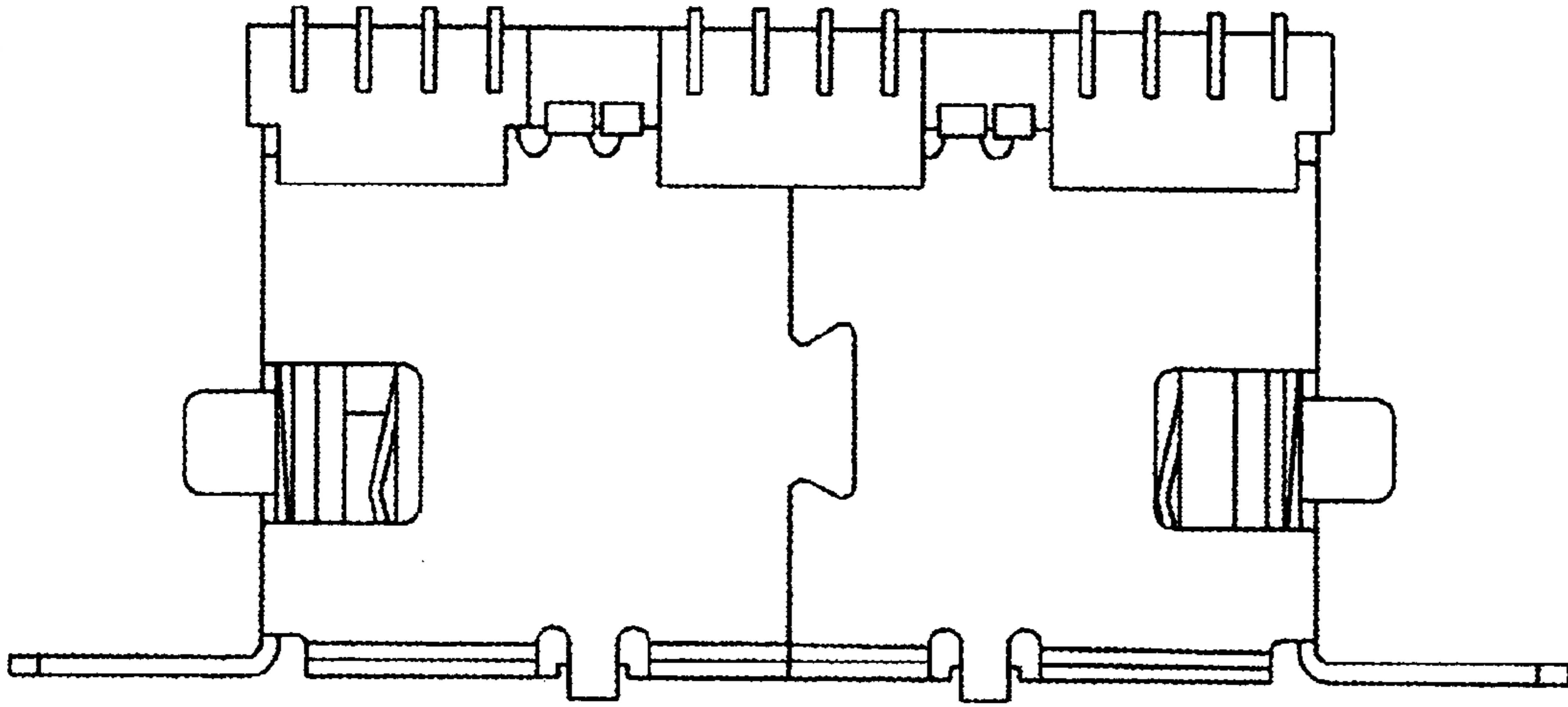


FIG. 4

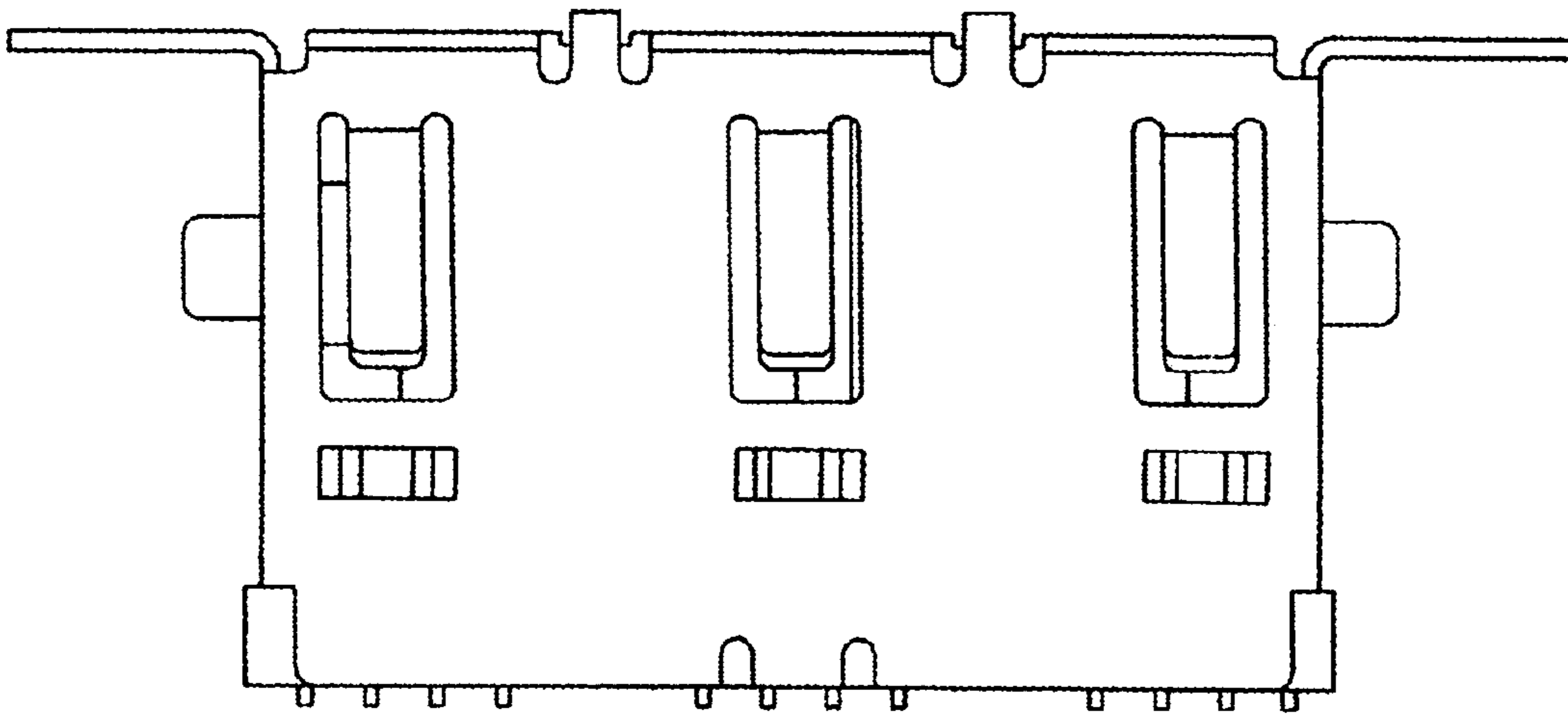


FIG. 5

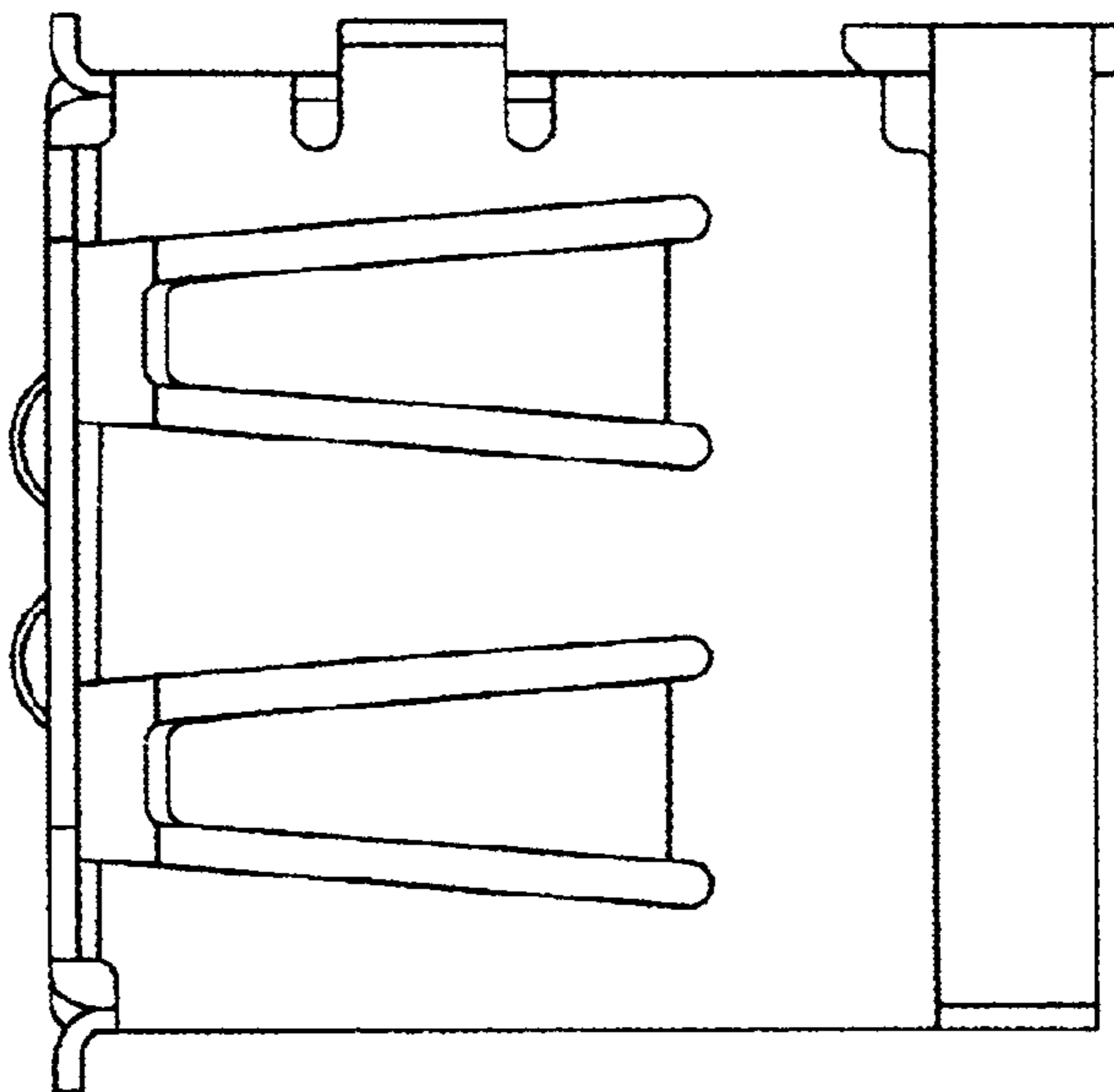


FIG. 6

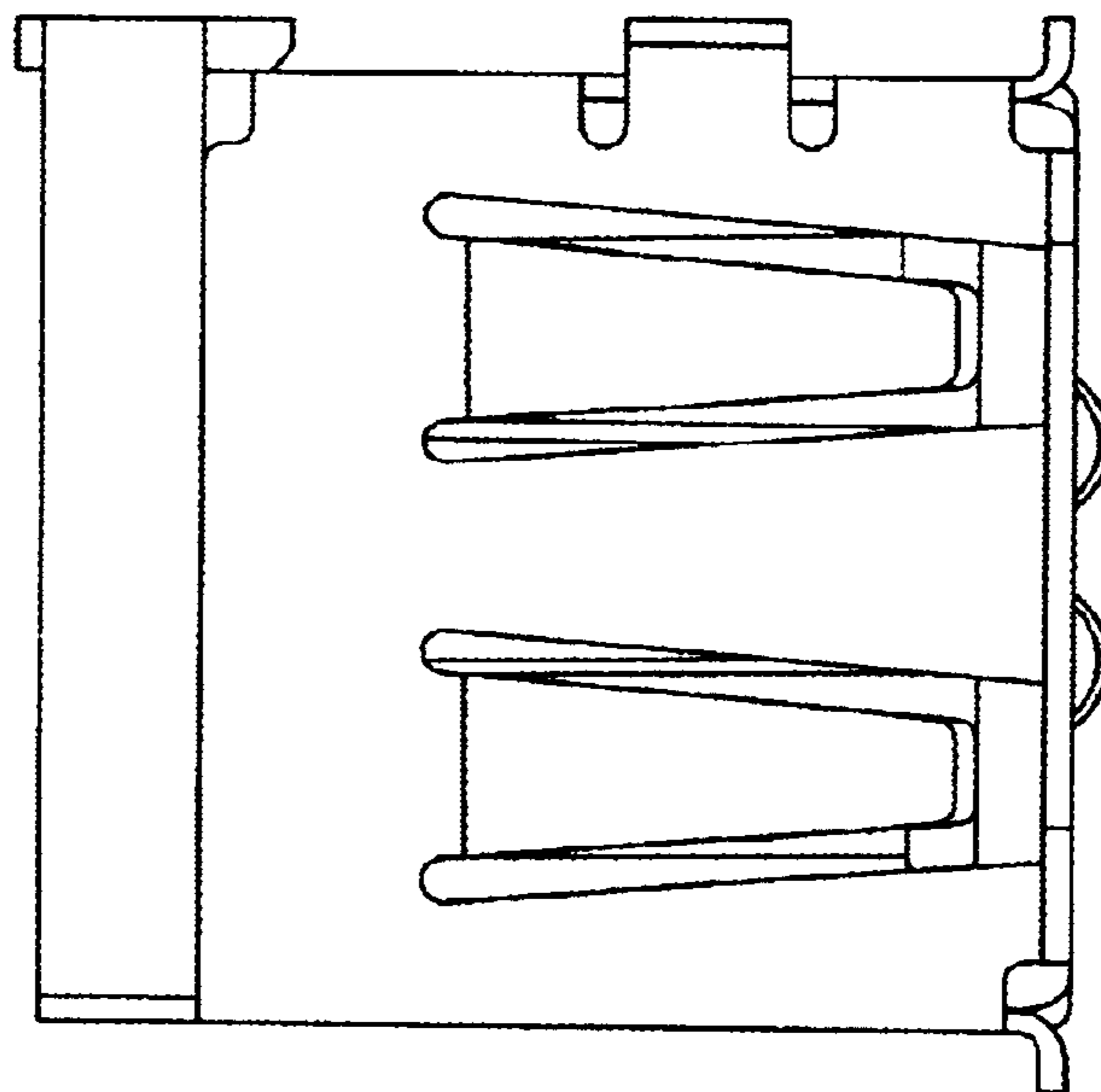


FIG. 7

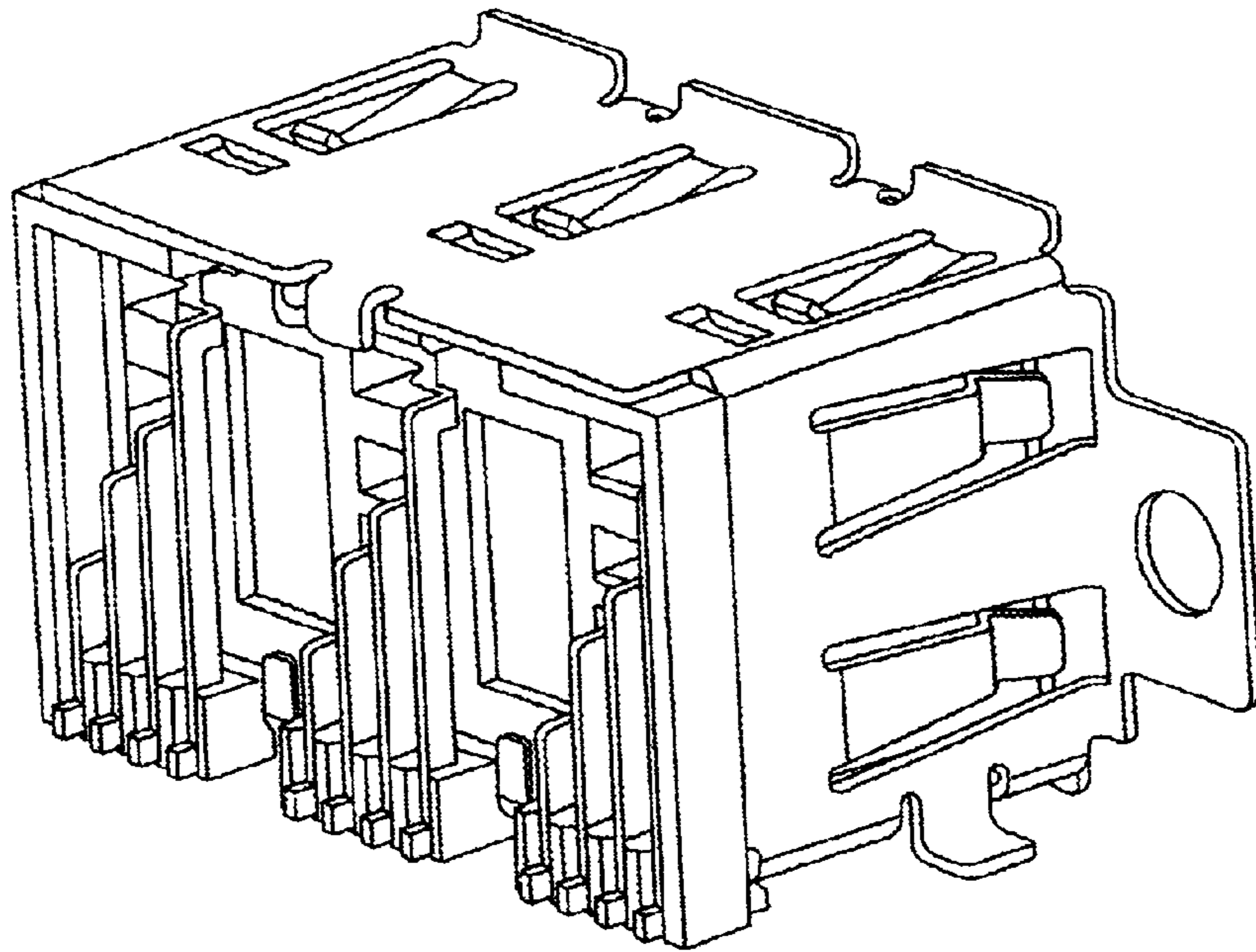


FIG.8