



US00D525587S

(12) **United States Design Patent**  
**Navarrez et al.**

(10) **Patent No.:** **US D525,587 S**  
(45) **Date of Patent:** **\*\* Jul. 25, 2006**

- (54) **IN-VEHICLE POWER CHARGER**
- (75) Inventors: **Paul Navarrez**, Glendale, CA (US);  
**Ahmed Abdallah**, Palmdale, CA (US)
- (73) Assignee: **USA Wireless Solutions, Inc.**, Van Nuys, CA (US)
- (\*\*) Term: **14 Years**
- (21) Appl. No.: **29/232,828**
- (22) Filed: **Jun. 24, 2005**
- (51) **LOC (8) Cl.** ..... **13-03**
- (52) **U.S. Cl.** ..... **D13/144; D13/107**
- (58) **Field of Classification Search** ..... D13/107,  
D13/110, 133, 144, 184; D14/155; 439/300,  
439/620, 638, 668-669, 675, 825; 320/110-112,  
320/114; 363/146  
See application file for complete search history.

D409,568 S	*	5/1999	Lindahl	.....	D13/144
D428,386 S	*	7/2000	Ahlgren	.....	D13/107
D434,724 S	*	12/2000	Wharton	.....	D13/110
D455,712 S	*	4/2002	Hsiao	.....	D13/108
D464,316 S	*	10/2002	Nazar	.....	D13/110
D471,517 S	*	3/2003	Nazar	.....	D13/110
D489,326 S	*	5/2004	Nazar	.....	D13/110
D490,058 S	*	5/2004	Mkhitarian	.....	D13/144

\* cited by examiner

*Primary Examiner*—Alan P. Douglas  
*Assistant Examiner*—Rosemary K. Tarcza  
(74) *Attorney, Agent, or Firm*—O'Melveny & Myers LLP

(57) **CLAIM**

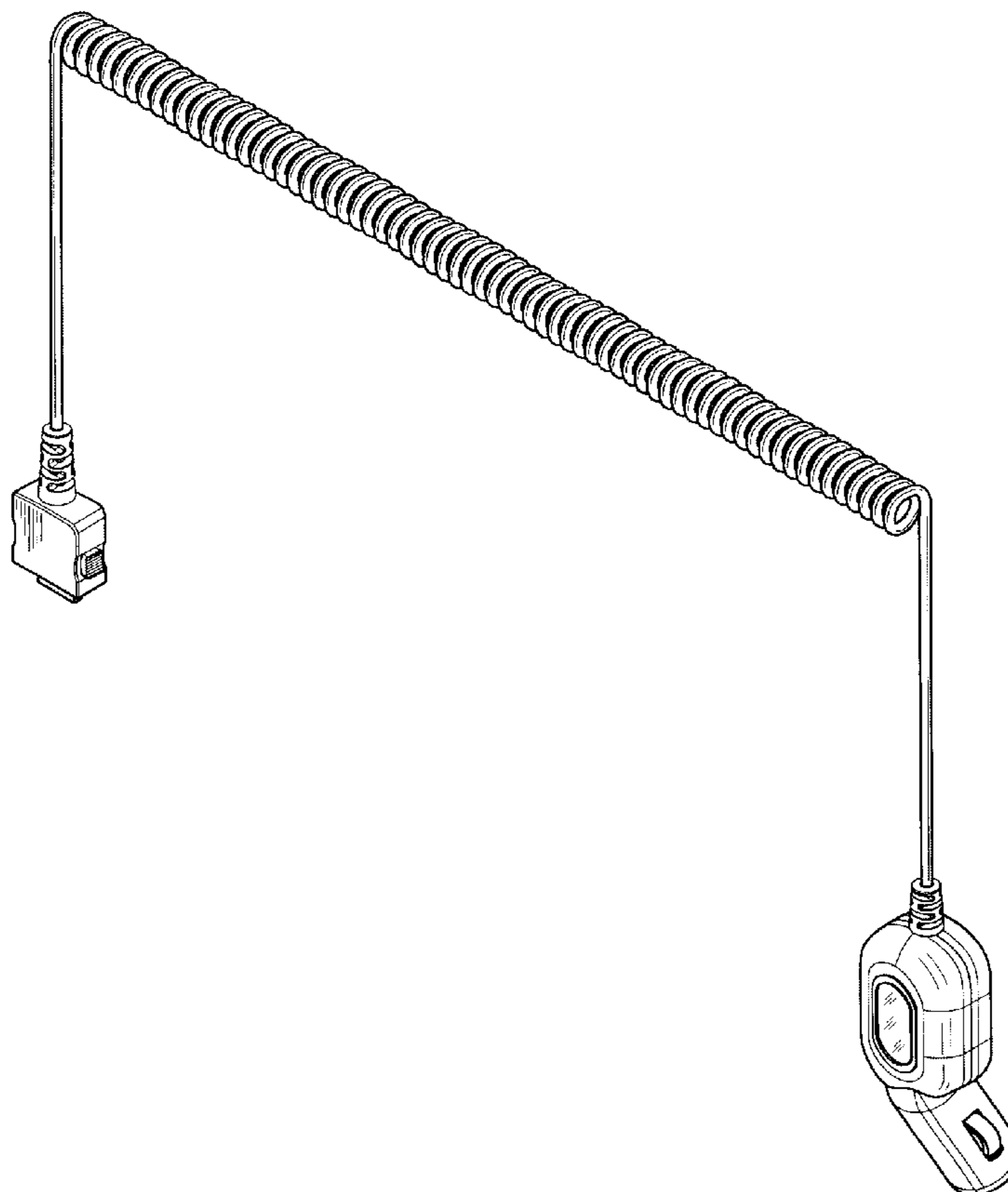
The ornamental design for an in-vehicle power charger, as shown and described.

**DESCRIPTION**

FIG. 1 is a perspective view of an in-vehicle power charger in accordance with the invention;  
FIG. 2 is a front side view of the in-vehicle power charger;  
FIG. 3 is a rear side view of the in-vehicle power charger;  
FIG. 4 is a left side view of the in-vehicle power charger;  
FIG. 5 is a right side view of the in-vehicle power charger;  
FIG. 6 is a top view of the in-vehicle power charger; and,  
FIG. 7 is a bottom view of the in-vehicle power charger.

**1 Claim, 3 Drawing Sheets**

- (56) **References Cited**  
U.S. PATENT DOCUMENTS  
D300,626 S \* 4/1989 Crutcher et al. .... D13/144  
D348,250 S \* 6/1994 Shababy ..... D13/144  
5,431,585 A \* 7/1995 Fan ..... 439/668  
D398,287 S \* 9/1998 Luminosu ..... D13/144  
D408,787 S \* 4/1999 Seragnoli ..... D13/144



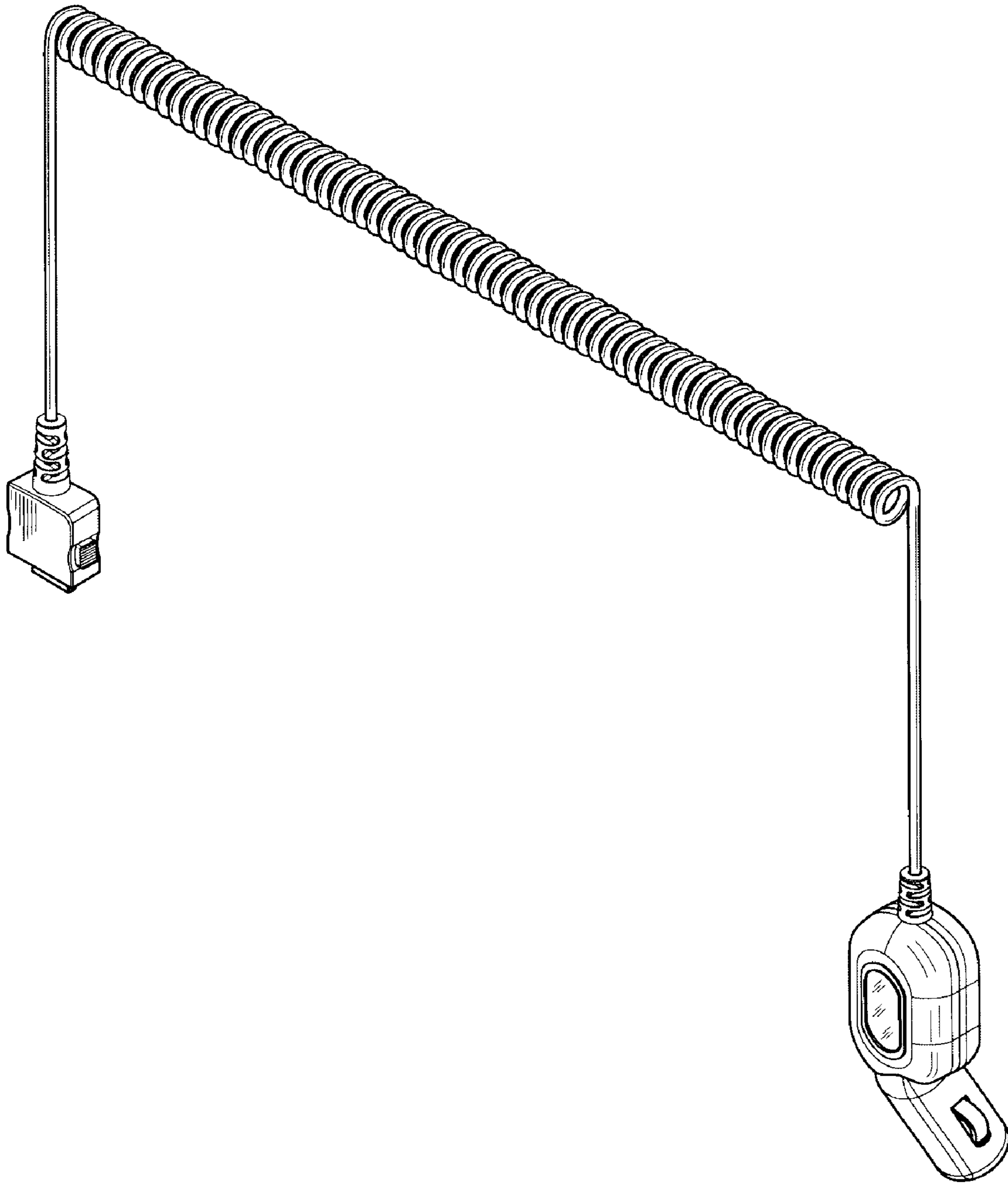


FIG. 1

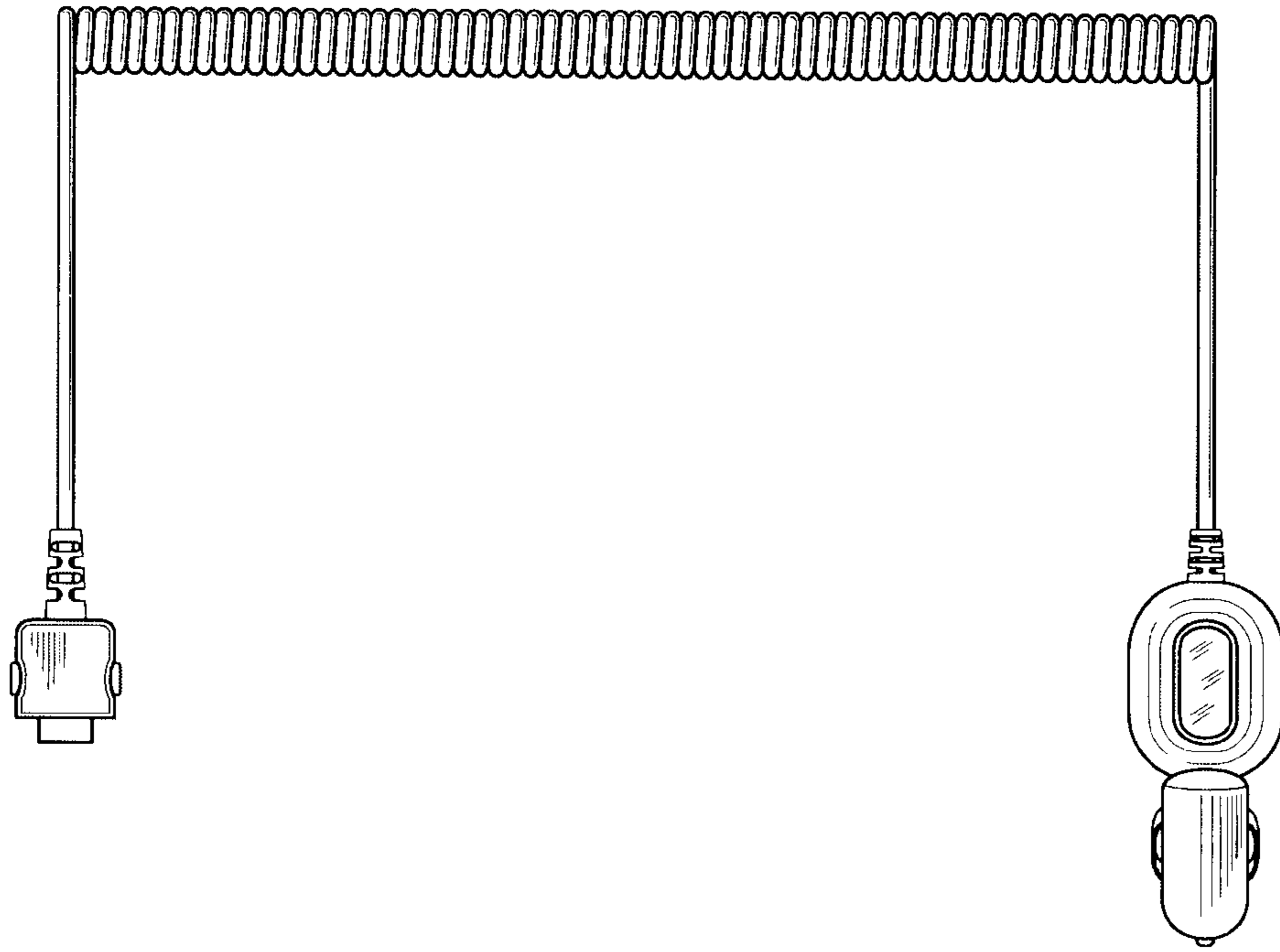


FIG. 2

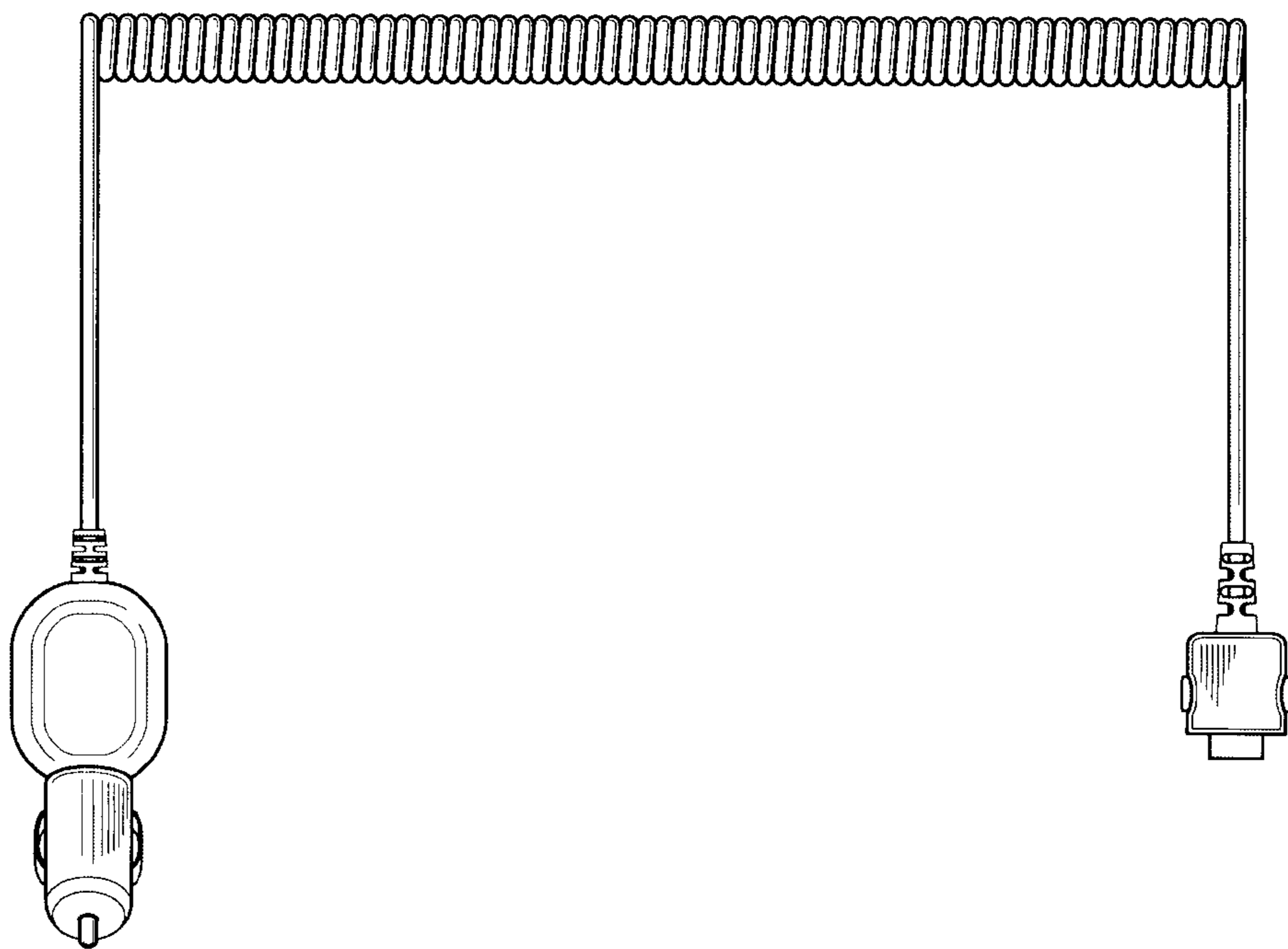


FIG. 3

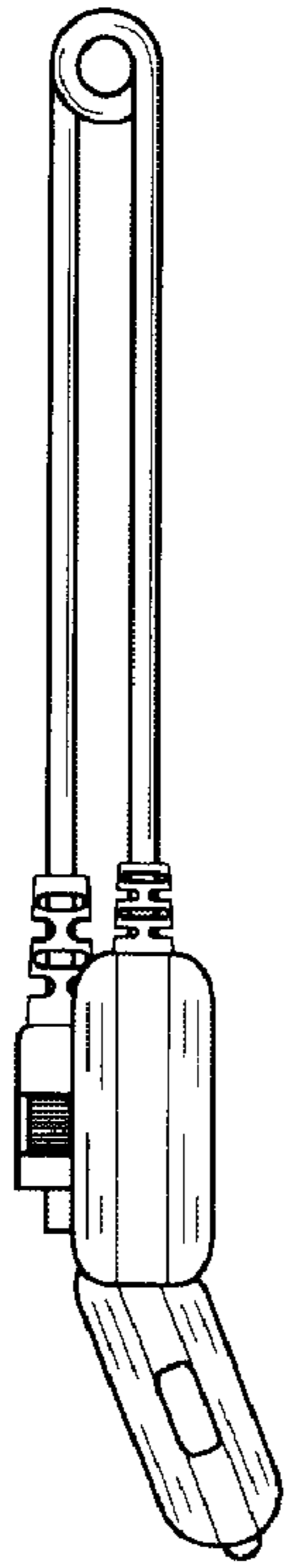


FIG. 4

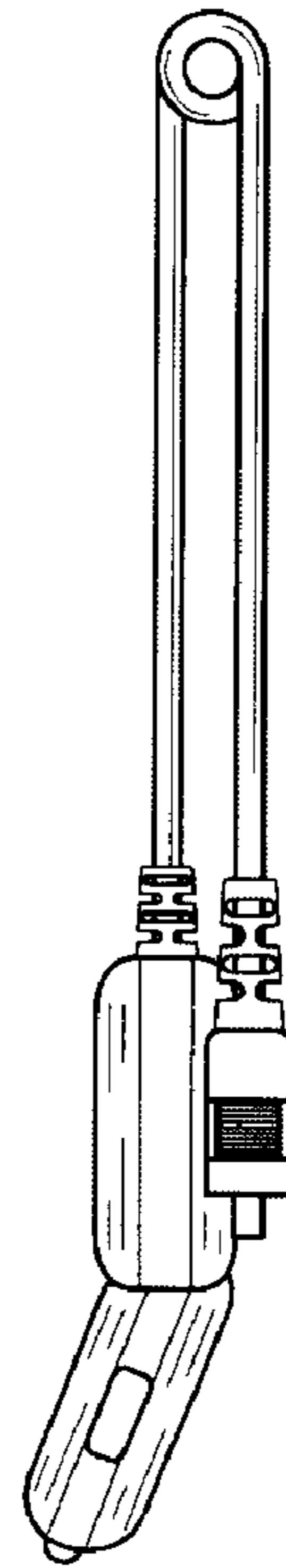


FIG. 5

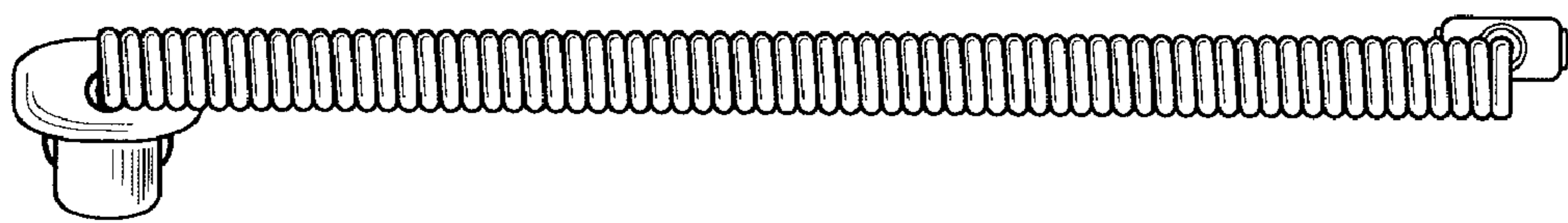


FIG. 6

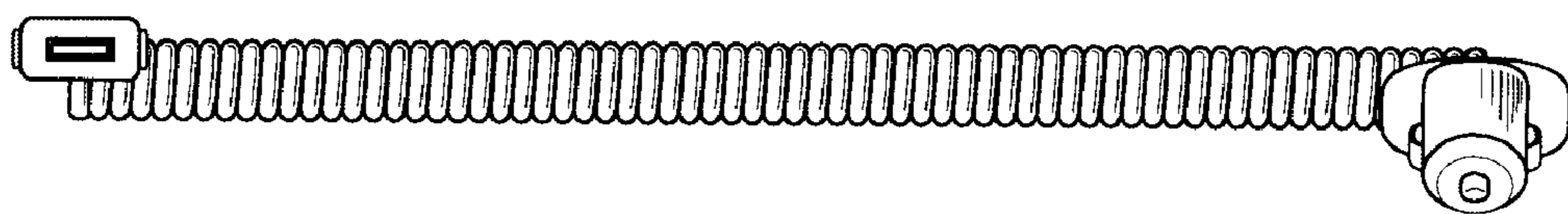


FIG. 7