



US00D525583S

(12) **United States Design Patent**
Vu

(10) **Patent No.:** **US D525,583 S**

(45) **Date of Patent:** **** Jul. 25, 2006**

(54) **COMBINATION STAND AND CHARGER
UNIT FOR A TOOTHBRUSH**

(75) Inventor: **Duy Phong Vu**, Frankfurt am Main
(DE)

(73) Assignee: **Braun GmbH**, Kronberg (DE)

(**) Term: **14 Years**

(21) Appl. No.: **29/232,210**

(22) Filed: **Jun. 16, 2005**

(30) **Foreign Application Priority Data**

Jan. 20, 2005 (EM) 000282488

(51) **LOC (8) Cl.** **13-02**

(52) **U.S. Cl.** **D13/108**

(58) **Field of Classification Search** D13/107-110,
D13/118-119, 184; D14/251, 253, 432, 434;
D16/219, 237, 242; 320/107-115

See application file for complete search history.

(56) **References Cited**

U.S. PATENT DOCUMENTS

- D358,364 S * 5/1995 Siddoway D13/108
- D380,729 S * 7/1997 Richards et al. D13/108
- D417,430 S * 12/1999 Ko D13/107
- D438,170 S * 2/2001 Hofbauer D13/107
- D448,724 S * 10/2001 Hsiao D13/107
- D455,396 S * 4/2002 Scott et al. D13/108

- D456,005 S * 4/2002 Jokinen D13/108
- D459,299 S * 6/2002 Hughes et al. D13/108
- D468,305 S * 1/2003 Ma et al. D14/253
- D478,884 S * 8/2003 Slipy et al. D14/149
- D480,376 S * 10/2003 Ma D14/149
- D504,868 S * 5/2005 Lodato et al. D13/107
- D508,458 S * 8/2005 Solland et al. D13/108

* cited by examiner

Primary Examiner—Alan P. Douglas

Assistant Examiner—Rosemary K. Tarcza

(74) *Attorney, Agent, or Firm*—Fish & Richardson P.C.

(57) **CLAIM**

The ornamental design for a combination stand and charger unit for a toothbrush, as shown and described.

DESCRIPTION

FIG. 1 is a perspective view of a combination stand and charger unit for a toothbrush from above, showing my new design;

FIG. 2 is a front view of the appliance thereof;

FIG. 3 is a bottom plan view of the appliance thereof

FIG. 4 is a top plan view of the appliance thereof;

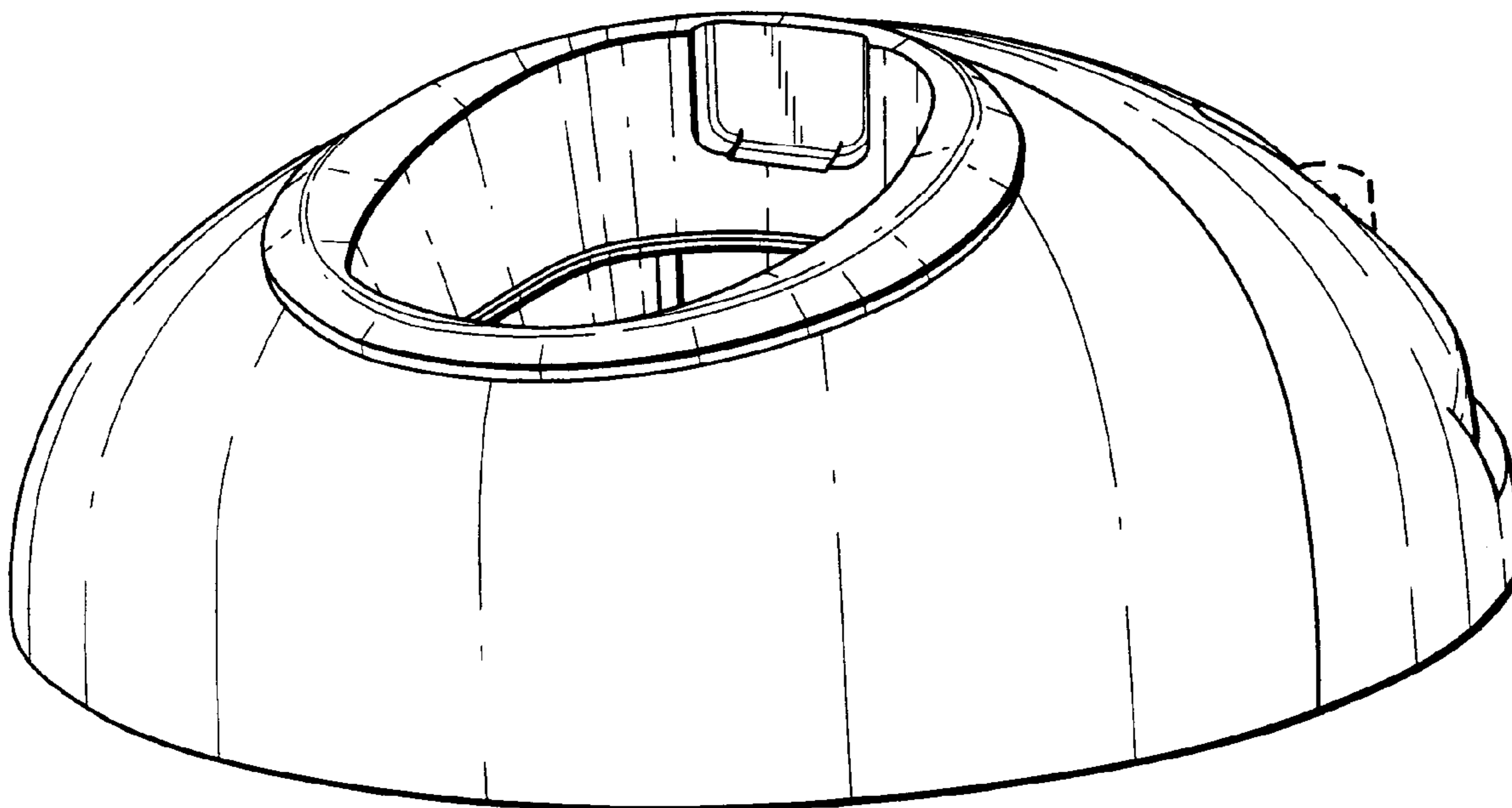
FIG. 5 is a rear view of the appliance thereof;

FIG. 6 is a right side view of the appliance thereof; and,

FIG. 7 is a left side view of the appliance thereof.

The broken line showing is for illustrative purposes only and forms no part of the claimed design.

1 Claim, 4 Drawing Sheets



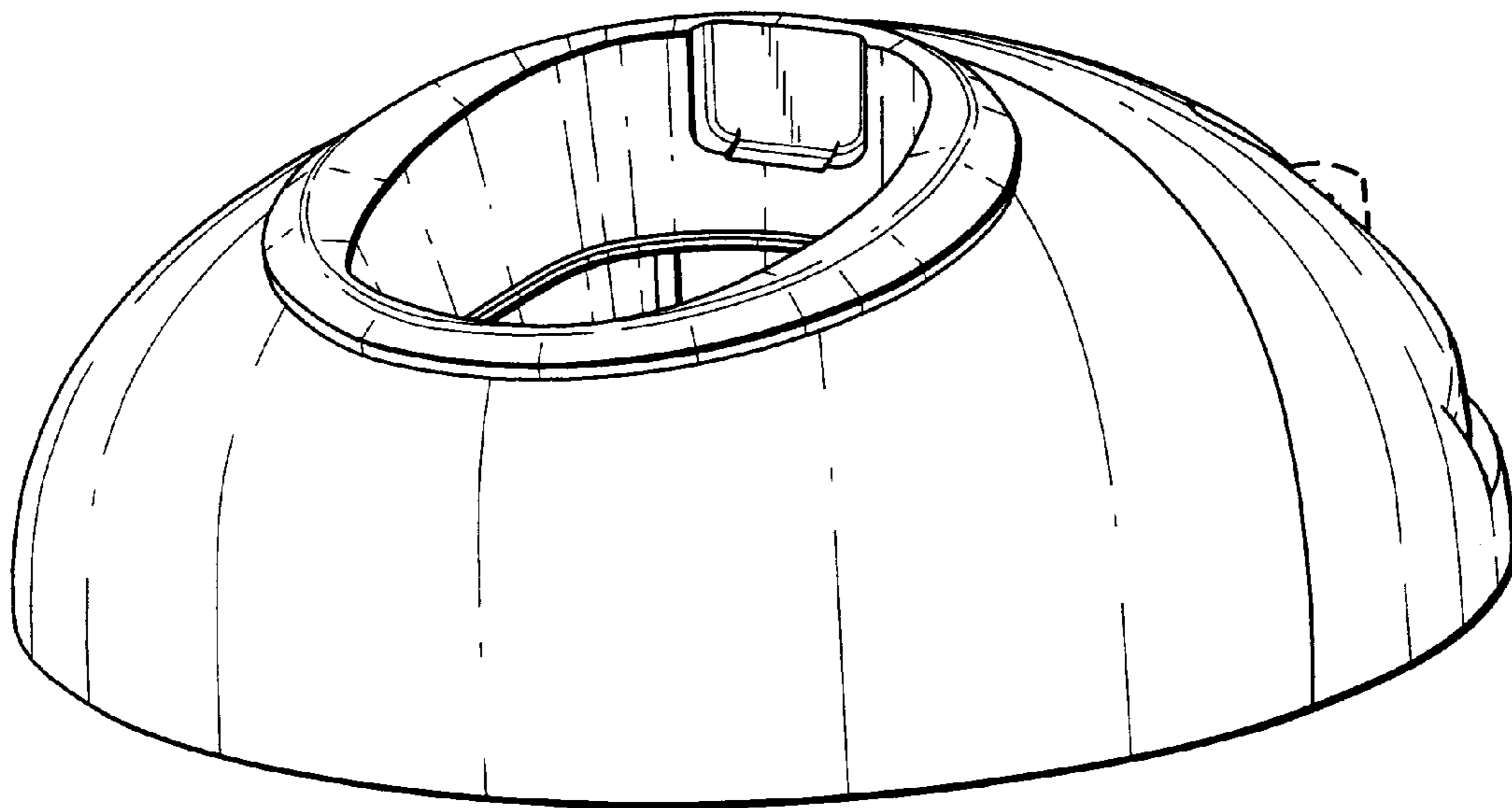


Fig. 1

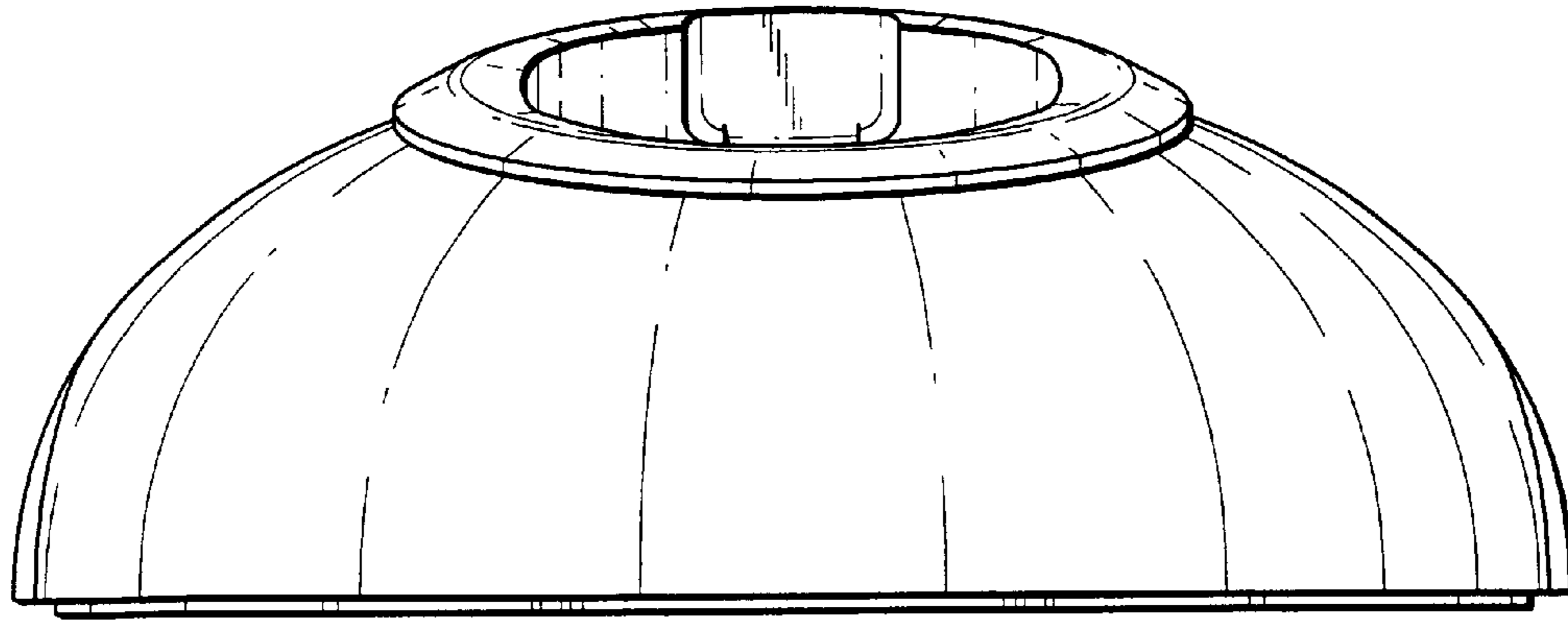


Fig. 2

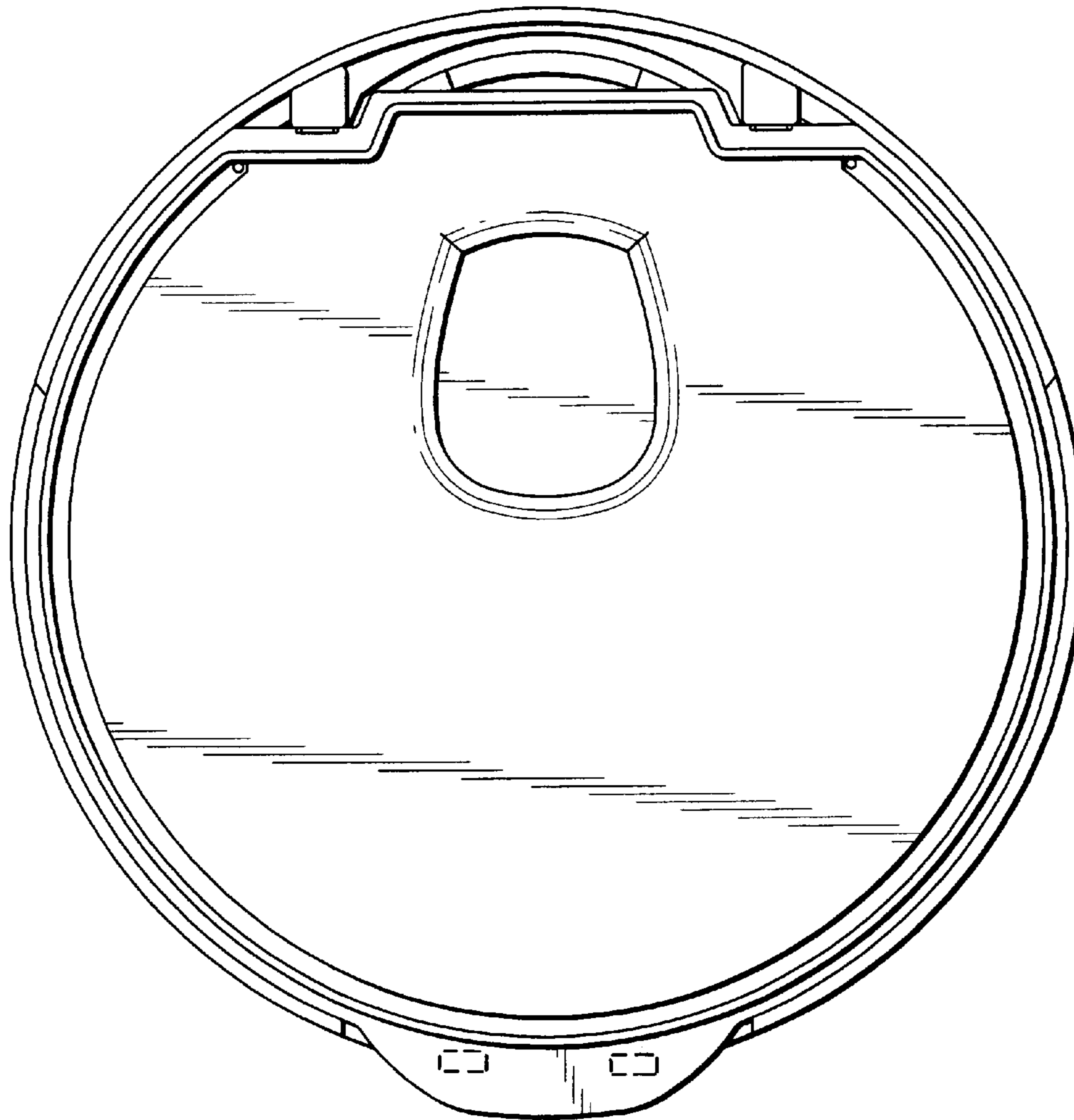


Fig. 3

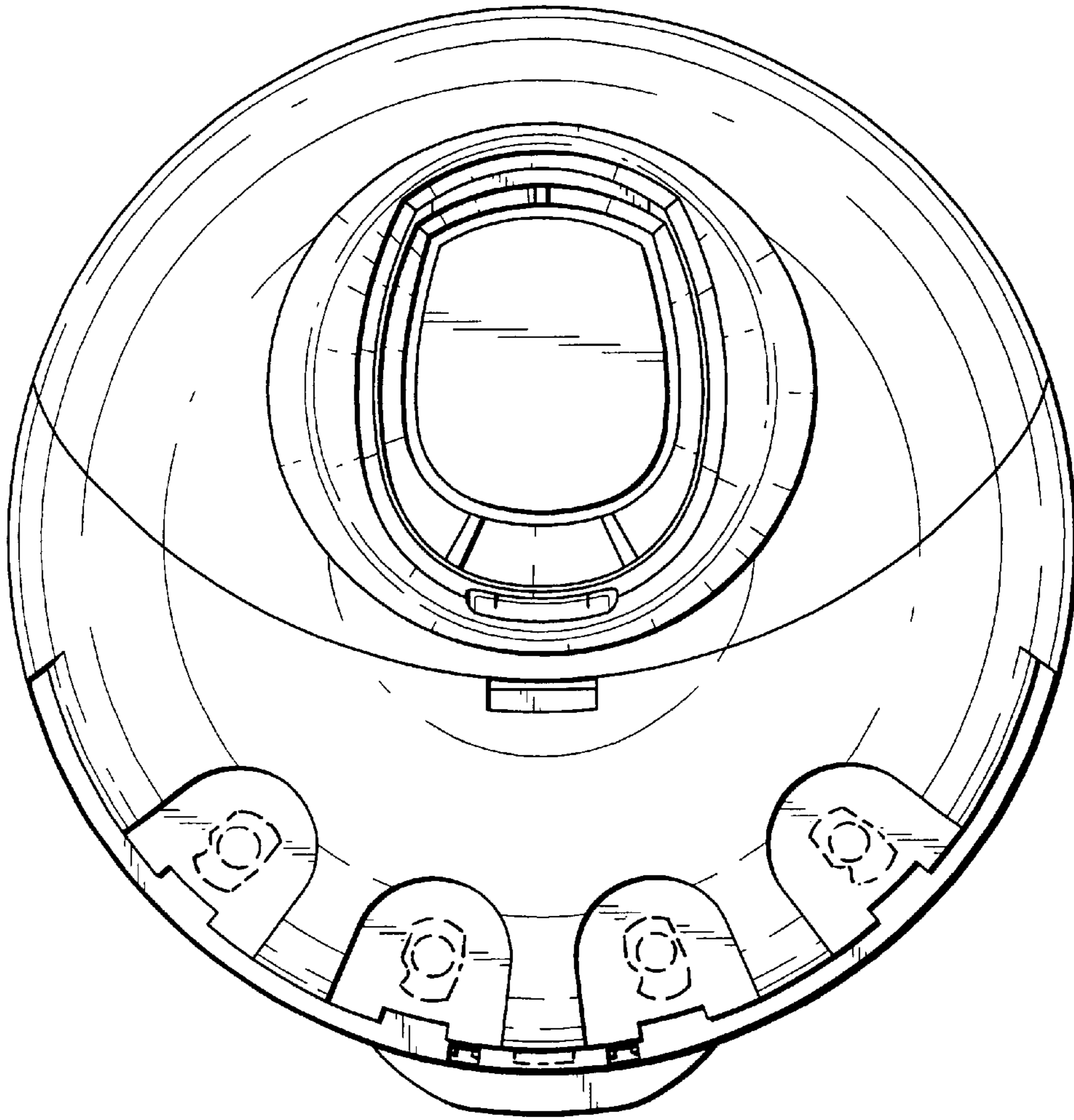


Fig. 4

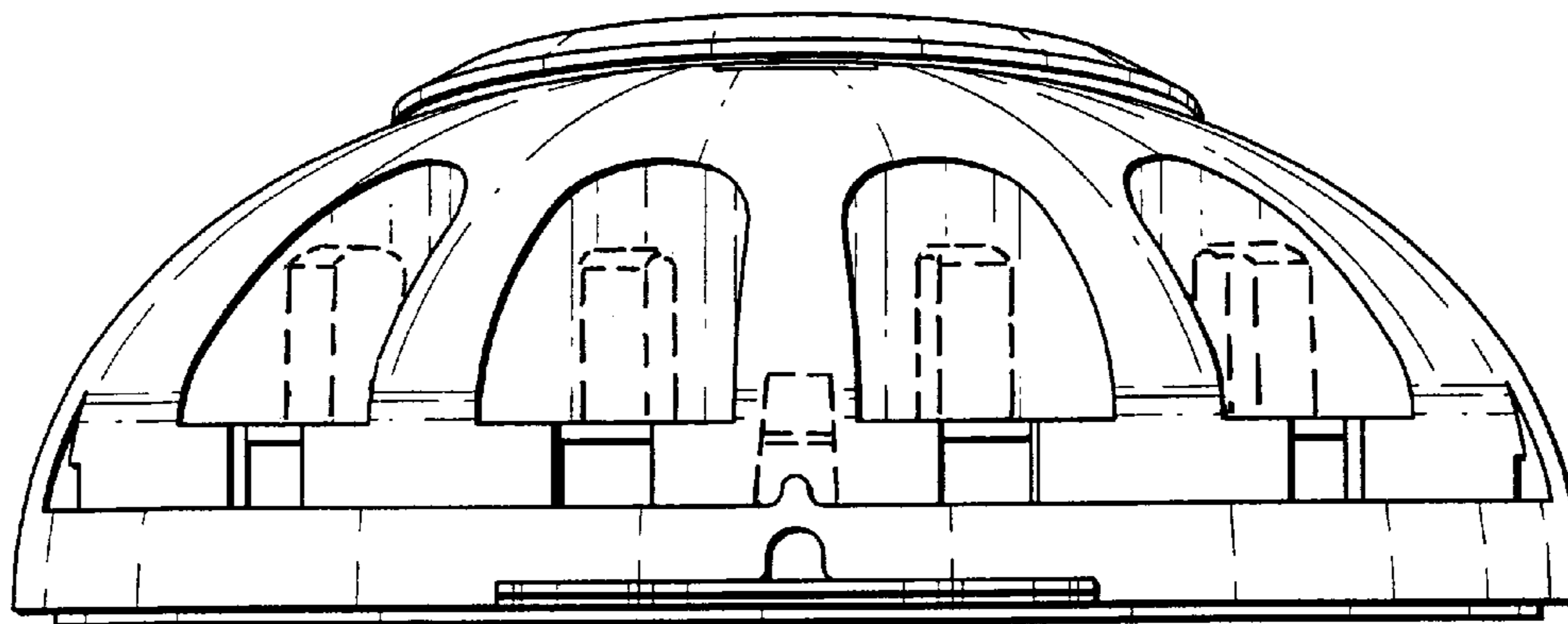


Fig. 5

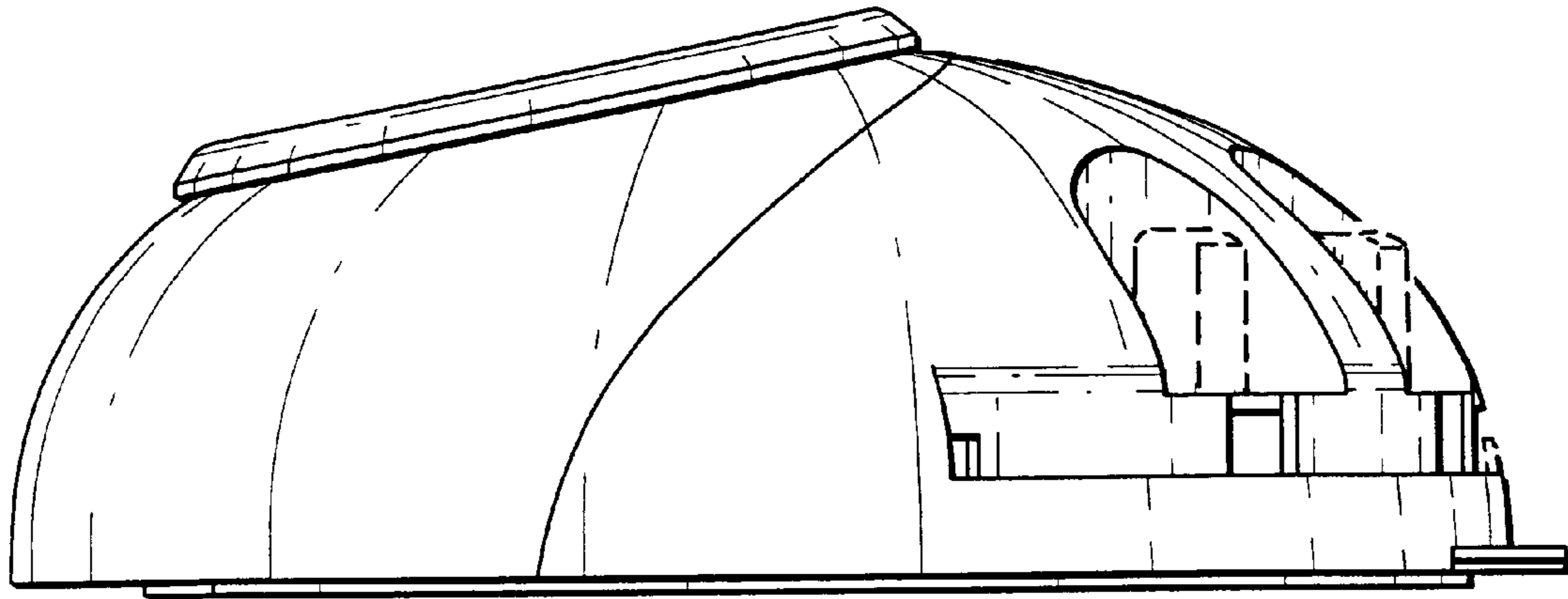


Fig. 6

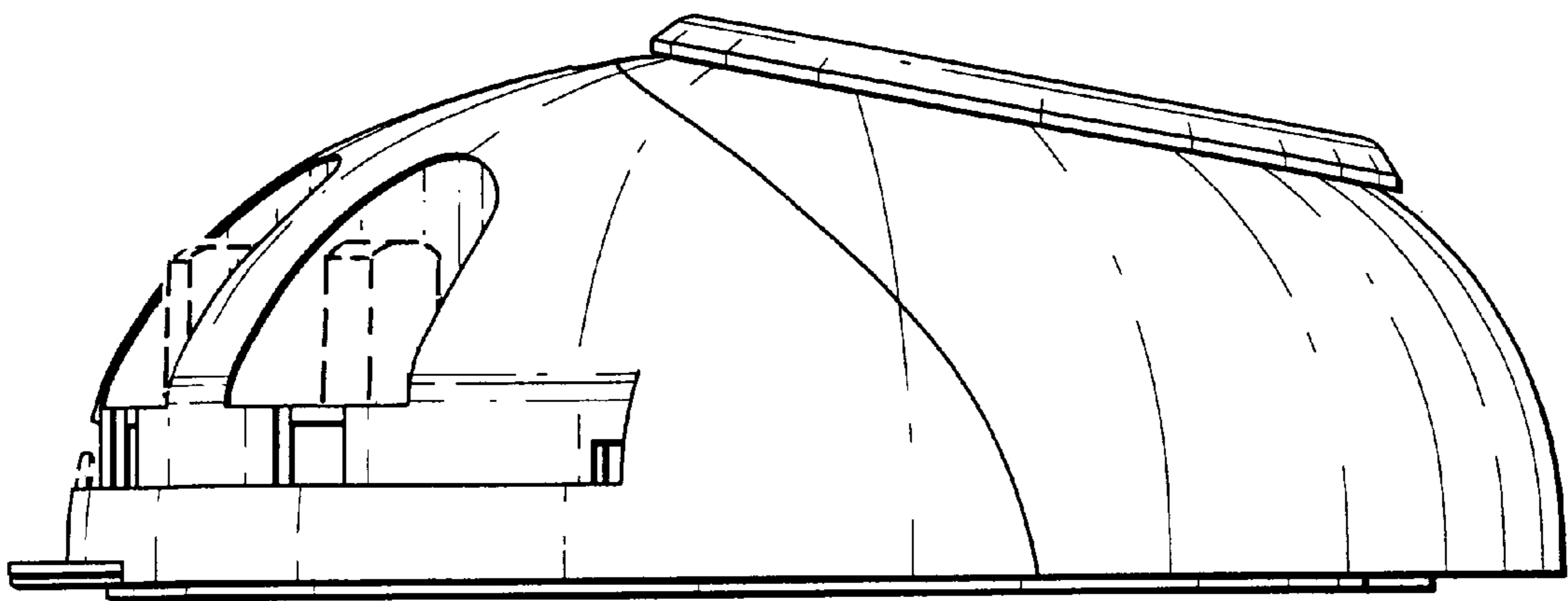


Fig. 7