

US00D525582S

(12) **United States Design Patent**  
**Chan**

(10) **Patent No.:** **US D525,582 S**

(45) **Date of Patent:** **\*\* Jul. 25, 2006**

(54) **CHARGER**

(75) Inventor: **Joe Chan**, Taipei (TW)

(73) Assignee: **Elf-Power Device Innovation Co.**,  
Taipei (TW)

(\*\*) Term: **14 Years**

(21) Appl. No.: **29/233,100**

(22) Filed: **Jun. 27, 2005**

(30) **Foreign Application Priority Data**

May 11, 2005 (TW) ..... 94302754

(51) **LOC (8) Cl.** ..... **13-02**

(52) **U.S. Cl.** ..... **D13/107**

(58) **Field of Classification Search** ..... D13/107-110,  
D13/118-119, 184; D14/251, 253, 432, 434;  
D16/219, 237, 242; 320/107-115  
See application file for complete search history.

(56) **References Cited**

**U.S. PATENT DOCUMENTS**

D320,991 S	*	10/1991	Nagai et al.	.....	D14/251
D350,526 S	*	9/1994	Wayne	.....	D13/108
D370,658 S	*	6/1996	Siddoway et al.	.....	D13/108
D372,455 S	*	8/1996	Tiefenthal et al.	.....	D13/108
D389,159 S	*	1/1998	Patterson et al.	.....	D14/253

D419,160 S	*	1/2000	Davidson et al.	.....	D14/253
D421,443 S	*	3/2000	Nagele et al.	.....	D14/253
D441,713 S	*	5/2001	Gartrell	.....	D13/108
D466,516 S	*	12/2002	Peiker	.....	D14/447
D483,016 S	*	12/2003	Ma et al.	.....	D13/108
D486,785 S	*	2/2004	Shindo	.....	D13/107
D487,897 S	*	3/2004	Huang et al.	.....	
D506,493 S	*	6/2005	Naito	.....	D16/237

\* cited by examiner

*Primary Examiner*—Alan P. Douglas

*Assistant Examiner*—Rosemary K. Tarcza

(74) *Attorney, Agent, or Firm*—Marger Johnson &  
McCullom, PC

(57) **CLAIM**

The ornamental design for charger, as shown and described.

**DESCRIPTION**

FIG. 1 is a perspective view of charger showing my new design;

FIG. 2 is a front elevational view thereof;

FIG. 3 is a rear elevational view thereof;

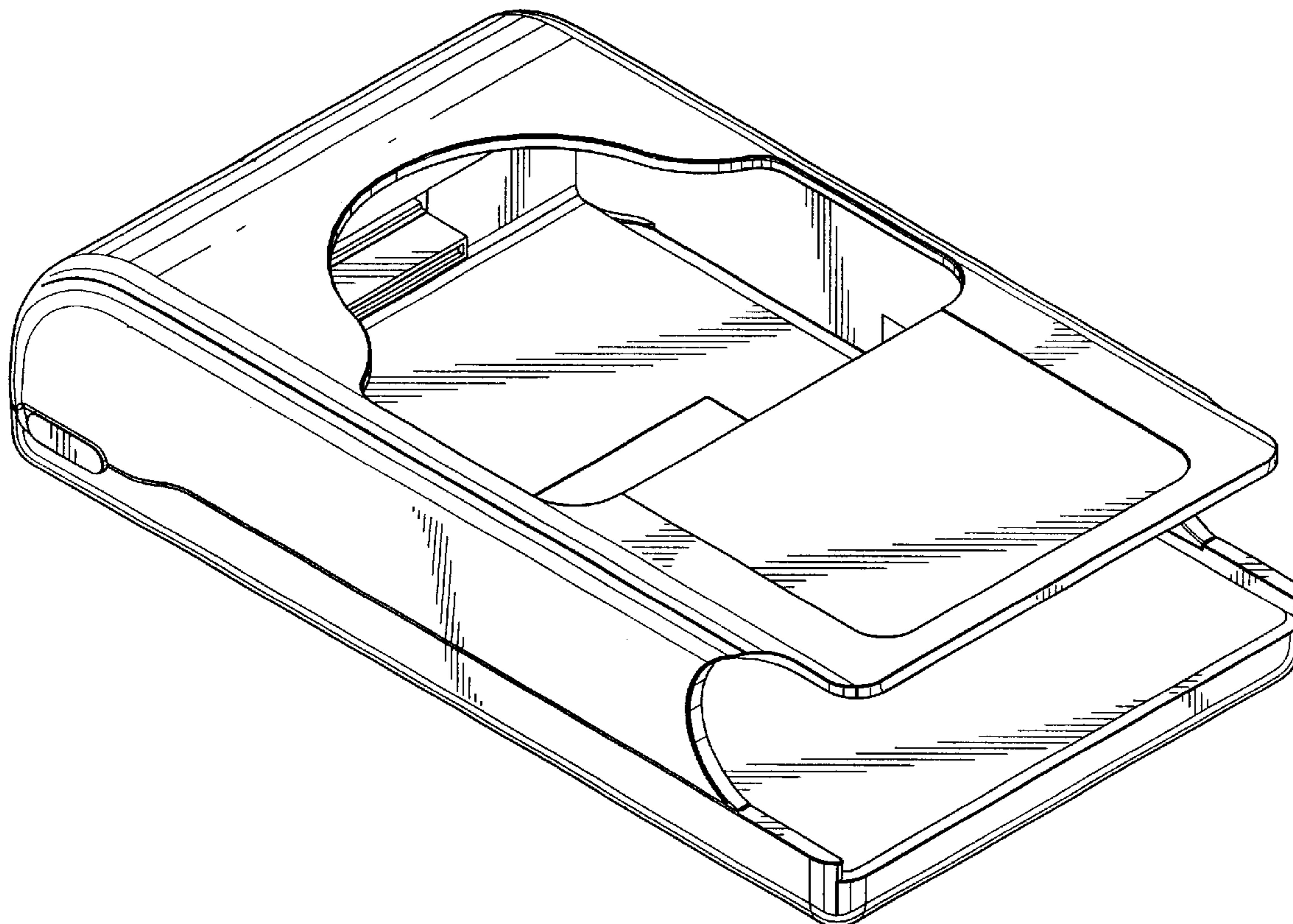
FIG. 4 is a left side elevational view thereof;

FIG. 5 is a right side elevational view thereof;

FIG. 6 is a top plan view thereof; and,

FIG. 7 is a bottom plan view thereof.

**1 Claim, 5 Drawing Sheets**



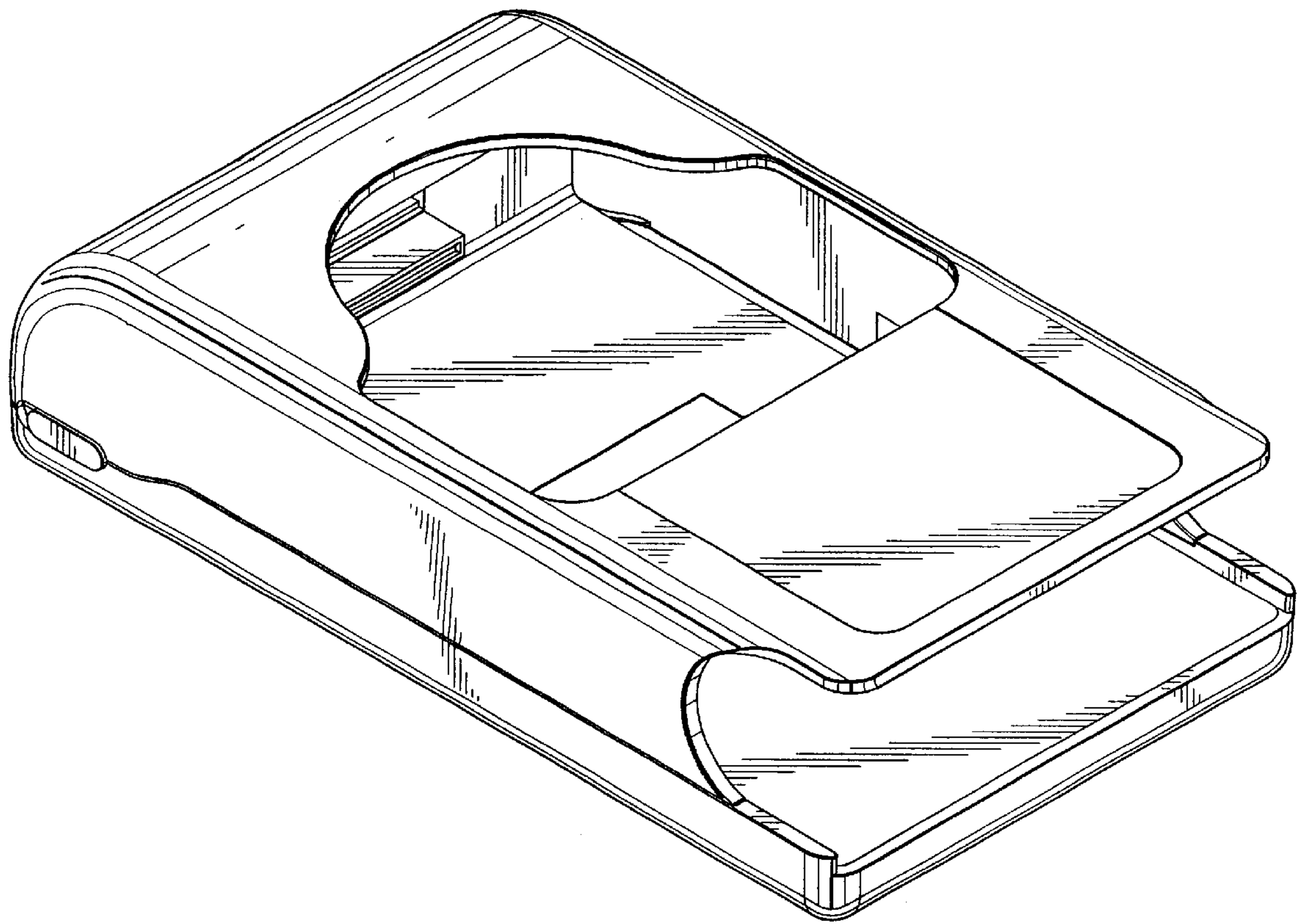


FIG. 1

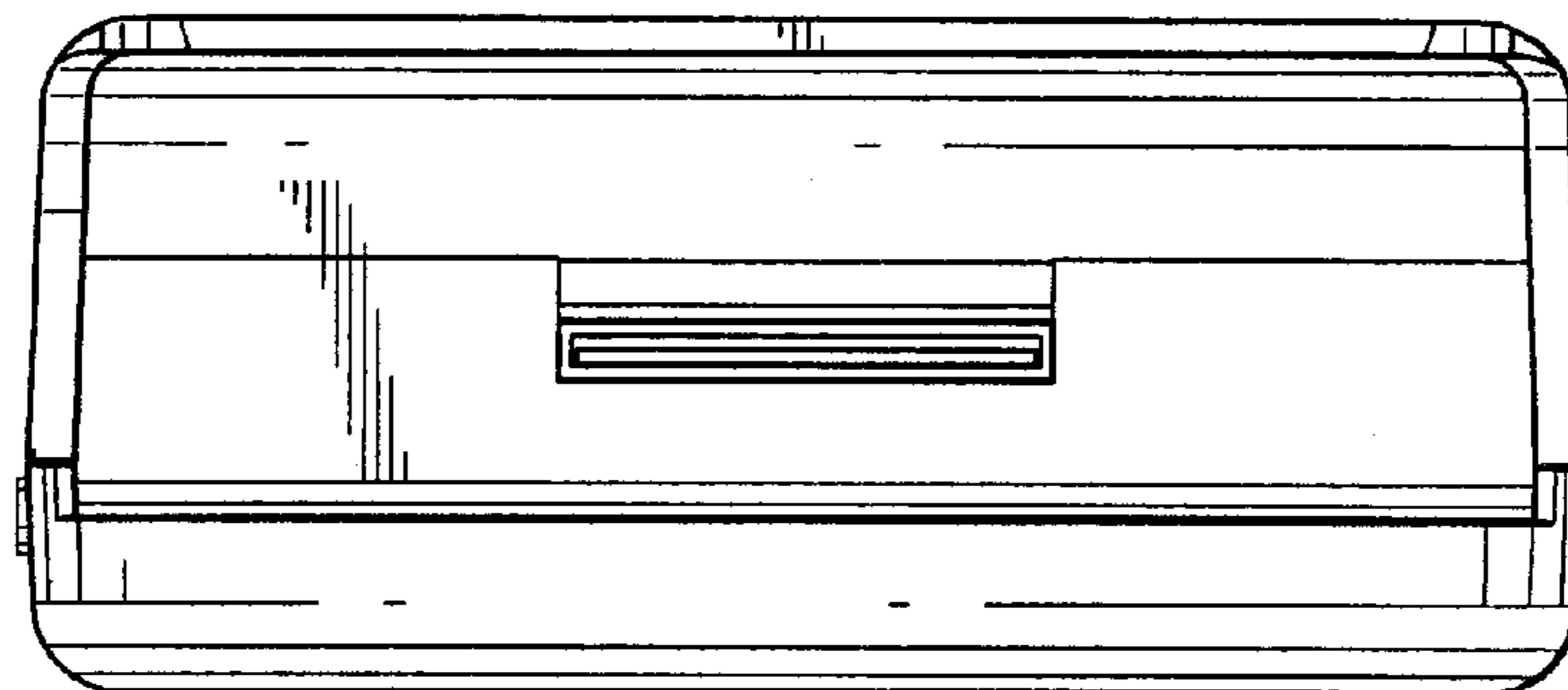


FIG. 2

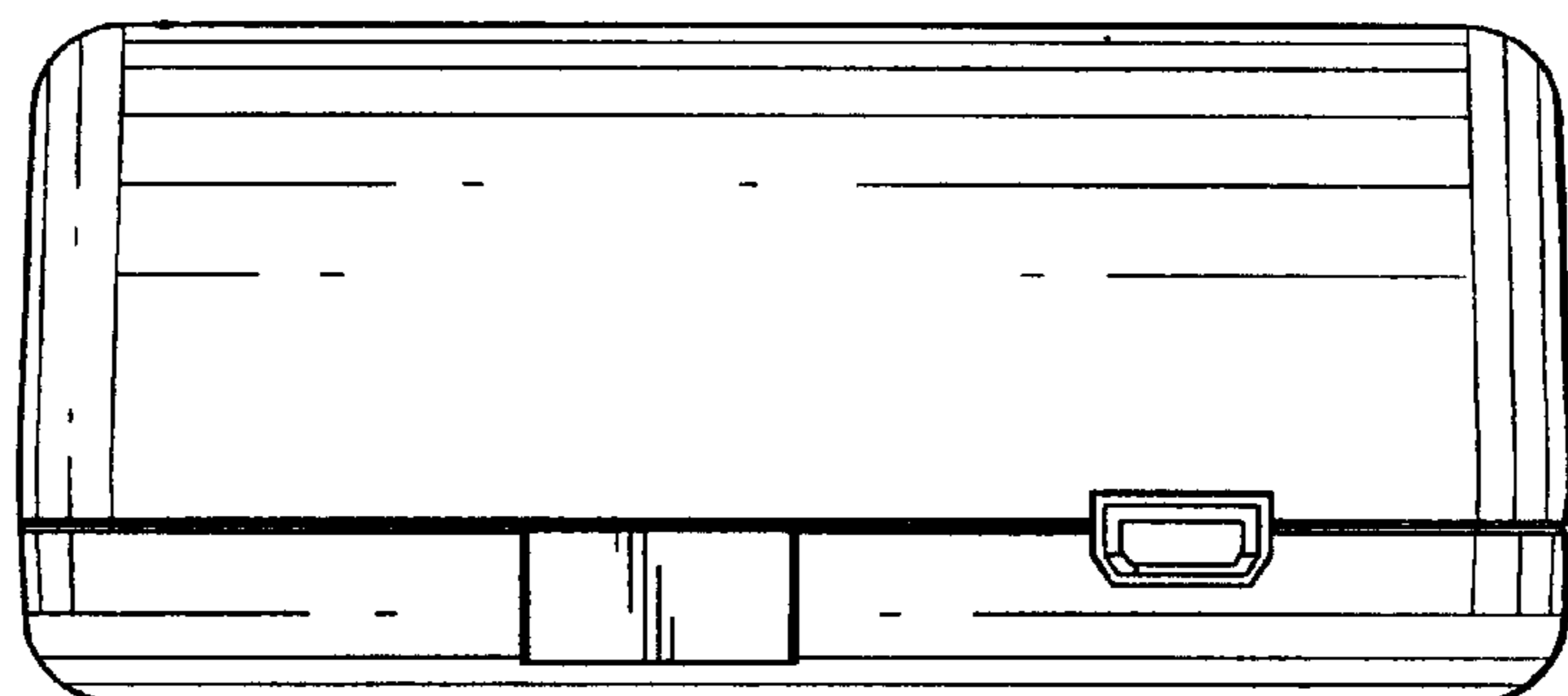


FIG. 3

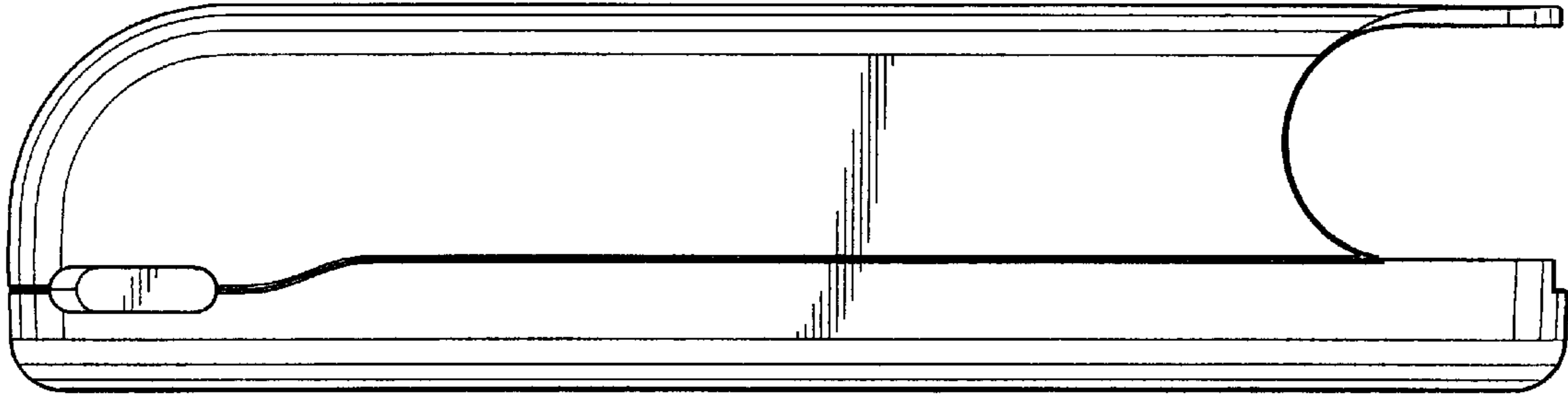


FIG. 4

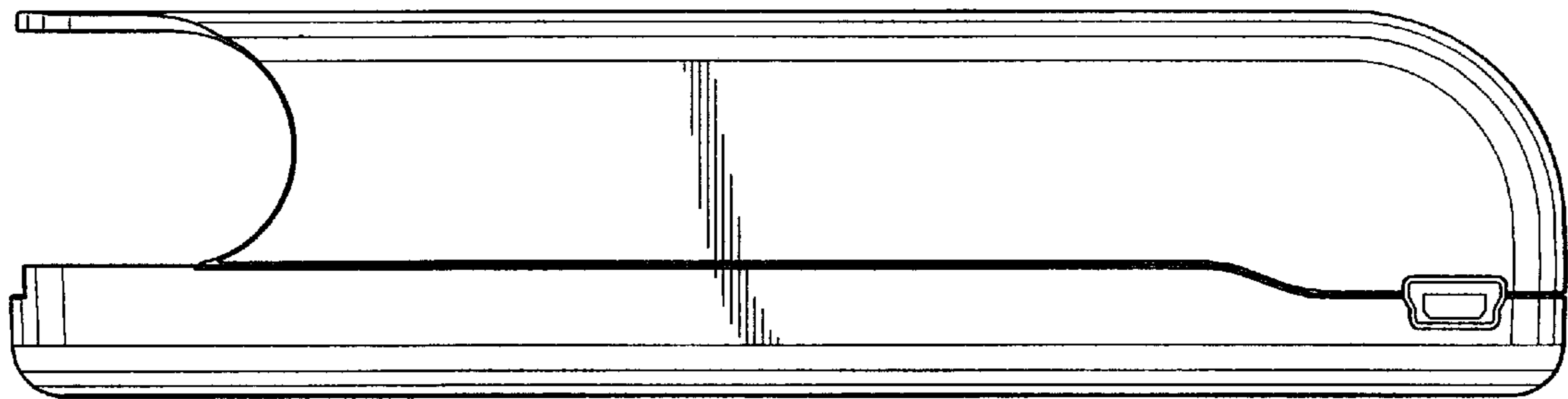


FIG. 5

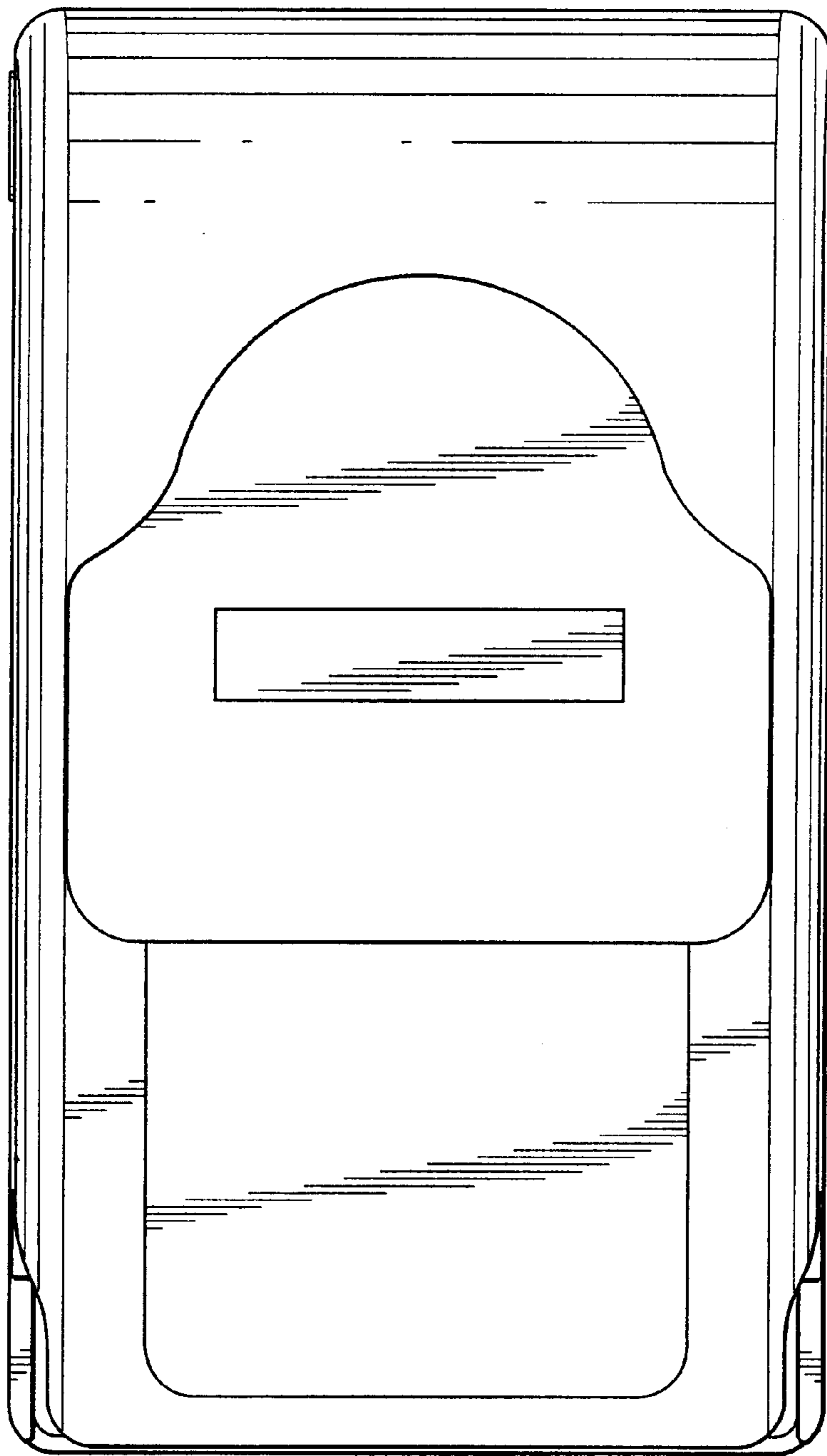


FIG. 6

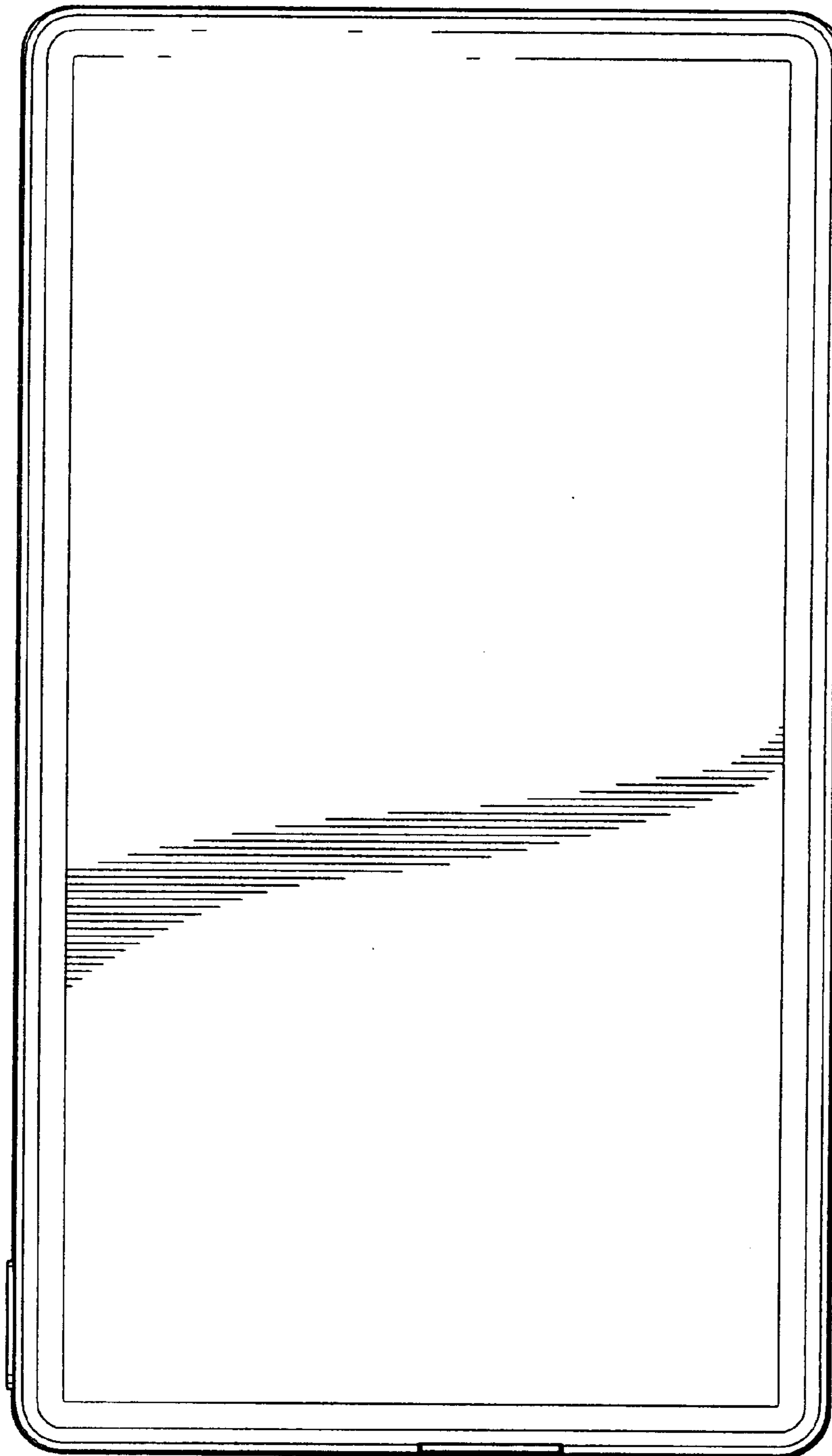


FIG. 7