



US00D525577S

(12) **United States Design Patent**
Laengerer

(10) **Patent No.:** **US D525,577 S**

(45) **Date of Patent:** **** Jul. 25, 2006**

(54) **FRONT FACE OF A VEHICLE WHEEL**

(75) **Inventor:** **Marcus Laengerer**, Renningen (DE)

(73) **Assignee:** **DaimlerChrysler AG**, Stuttgart (DE)

(**) **Term:** **14 Years**

(21) **Appl. No.:** **29/197,308**

(22) **Filed:** **Jan. 14, 2004**

(30) **Foreign Application Priority Data**

Jul. 15, 2003 (DE) 4 03 04 750

(51) **LOC (8) Cl.** **12-16**

(52) **U.S. Cl.** **D12/211**

(58) **Field of Classification Search** D12/204-213;
301/37.101, 64.101, 65

See application file for complete search history.

(56) **References Cited**

U.S. PATENT DOCUMENTS

D375,286 S	*	11/1996	Abbott	D12/209
D460,936 S	*	7/2002	Nakazawa et al.	D12/209
D462,928 S	*	9/2002	Takechi	D12/209
D466,466 S	*	12/2002	Laengerer	D12/211
D480,037 S	*	9/2003	Takechi	D12/211
D481,982 S	*	11/2003	Takechi	D12/211
D487,242 S	*	3/2004	Lecher et al.	D12/211

D492,238 S	*	6/2004	Bernoni	D12/211
D493,405 S	*	7/2004	Boyer	D12/211
D507,221 S	*	7/2005	Stopka	D12/209
D507,775 S	*	7/2005	Pfeiffer	D12/211
D508,671 S	*	8/2005	Baum	D12/209
D510,719 S	*	10/2005	Noble	D12/211

* cited by examiner

Primary Examiner—Stacia Cadmus

(74) *Attorney, Agent, or Firm*—Crowell & Moring LLP

(57) **CLAIM**

The ornamental design for a front face of a vehicle wheel, as shown and described.

DESCRIPTION

FIG. 1 is a front view of a first embodiment of a front face of a vehicle wheel according to my novel design;

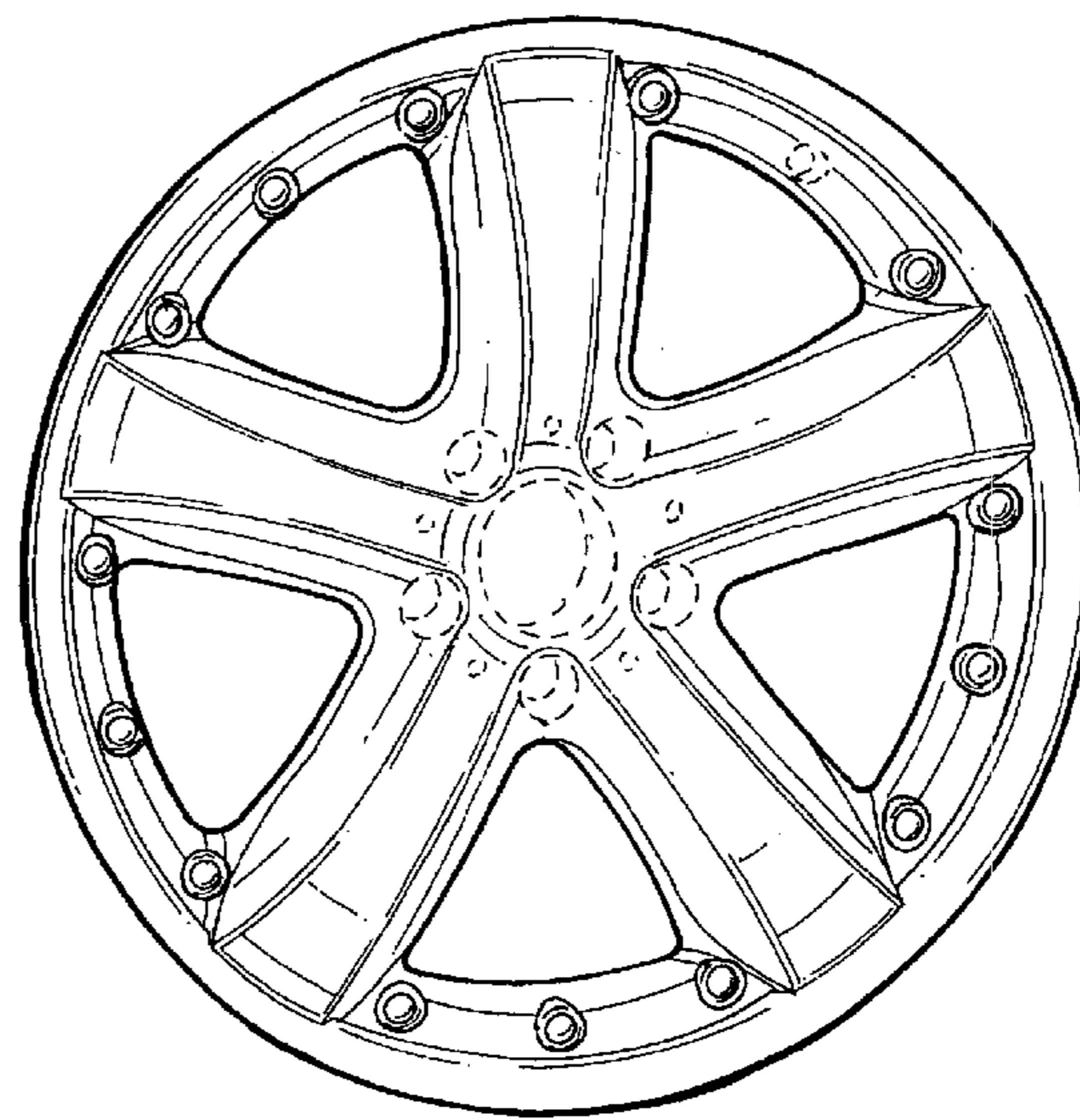
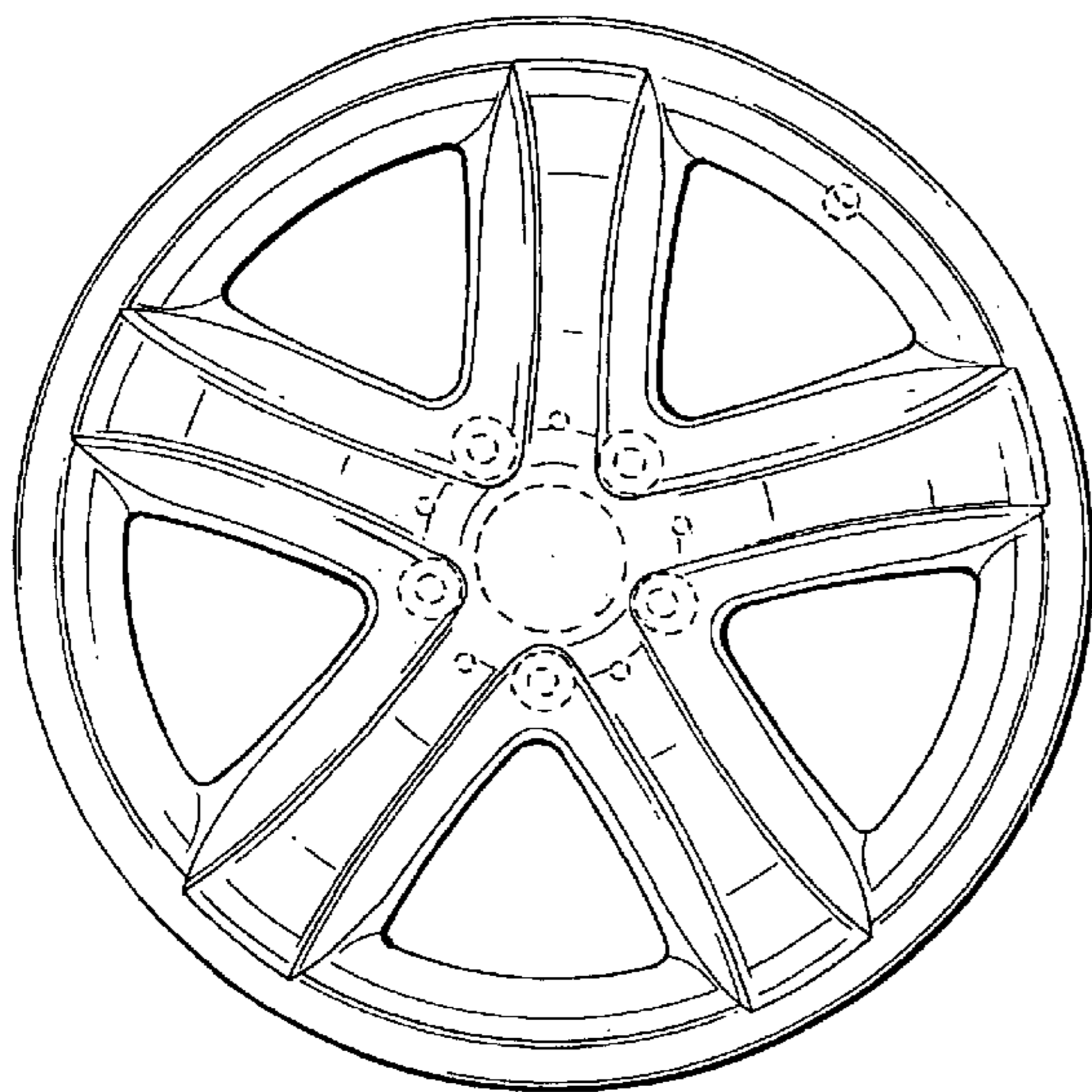
FIG. 2 is a perspective view of the first embodiment of the front face of a vehicle wheel according to my novel design;

FIG. 3 is a front view of a second embodiment of the front face of a vehicle wheel according to my novel design; and,

FIG. 4 is a perspective view of the second embodiment of the front face of a vehicle wheel according to my novel design.

The broken lines are for illustrative purposes only and form no part of the claimed design.

1 Claim, 2 Drawing Sheets



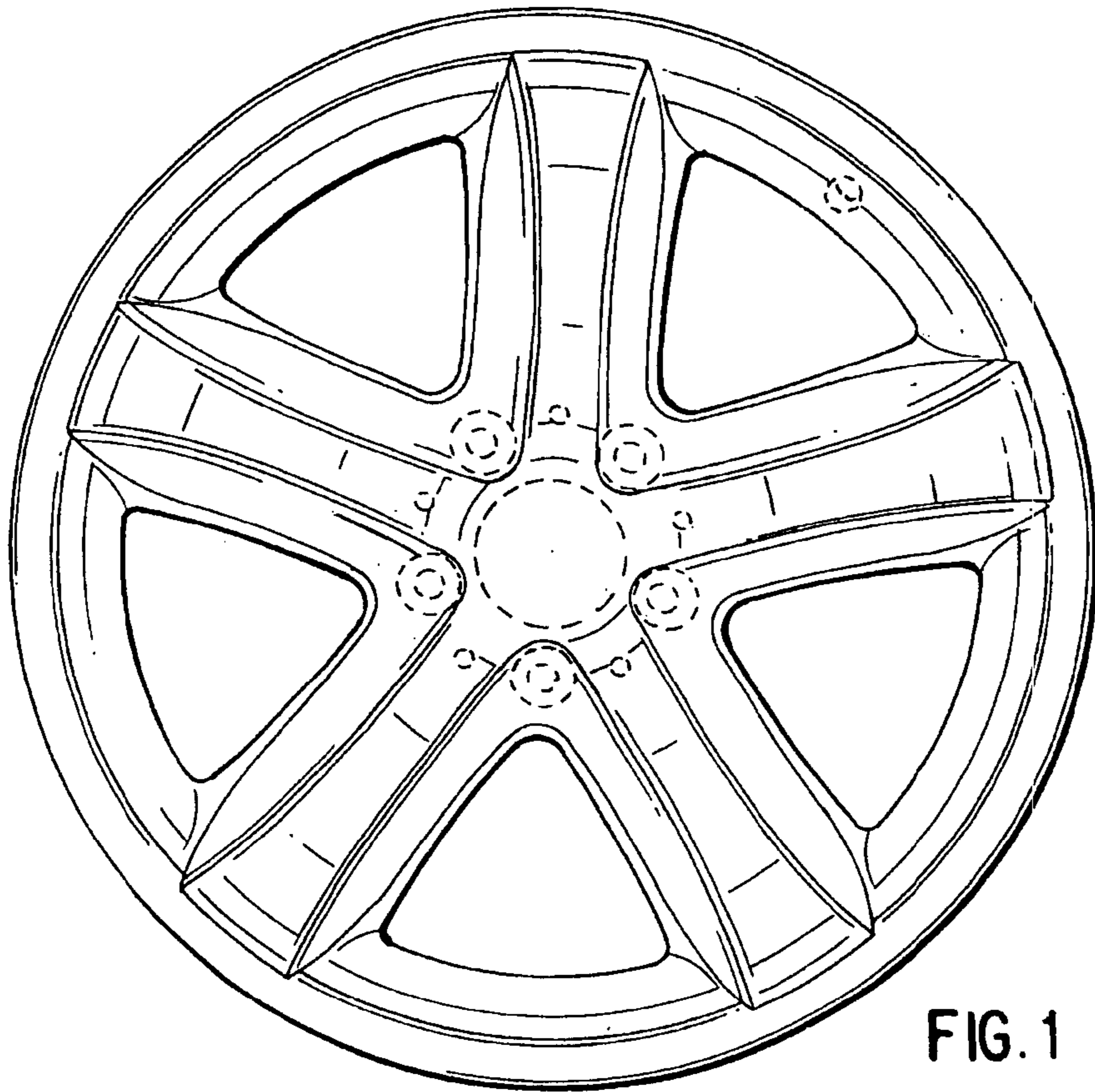


FIG. 1

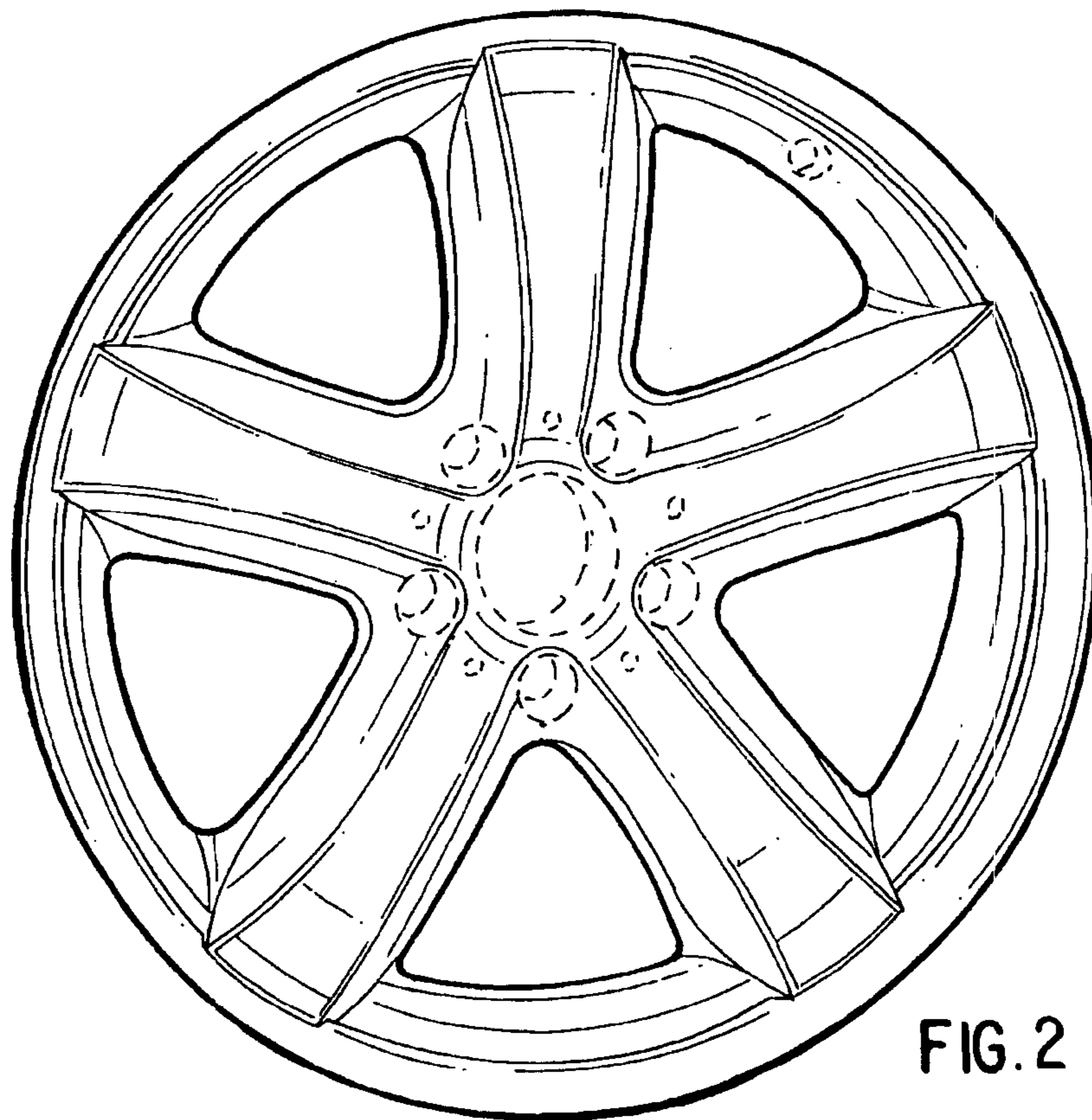


FIG. 2

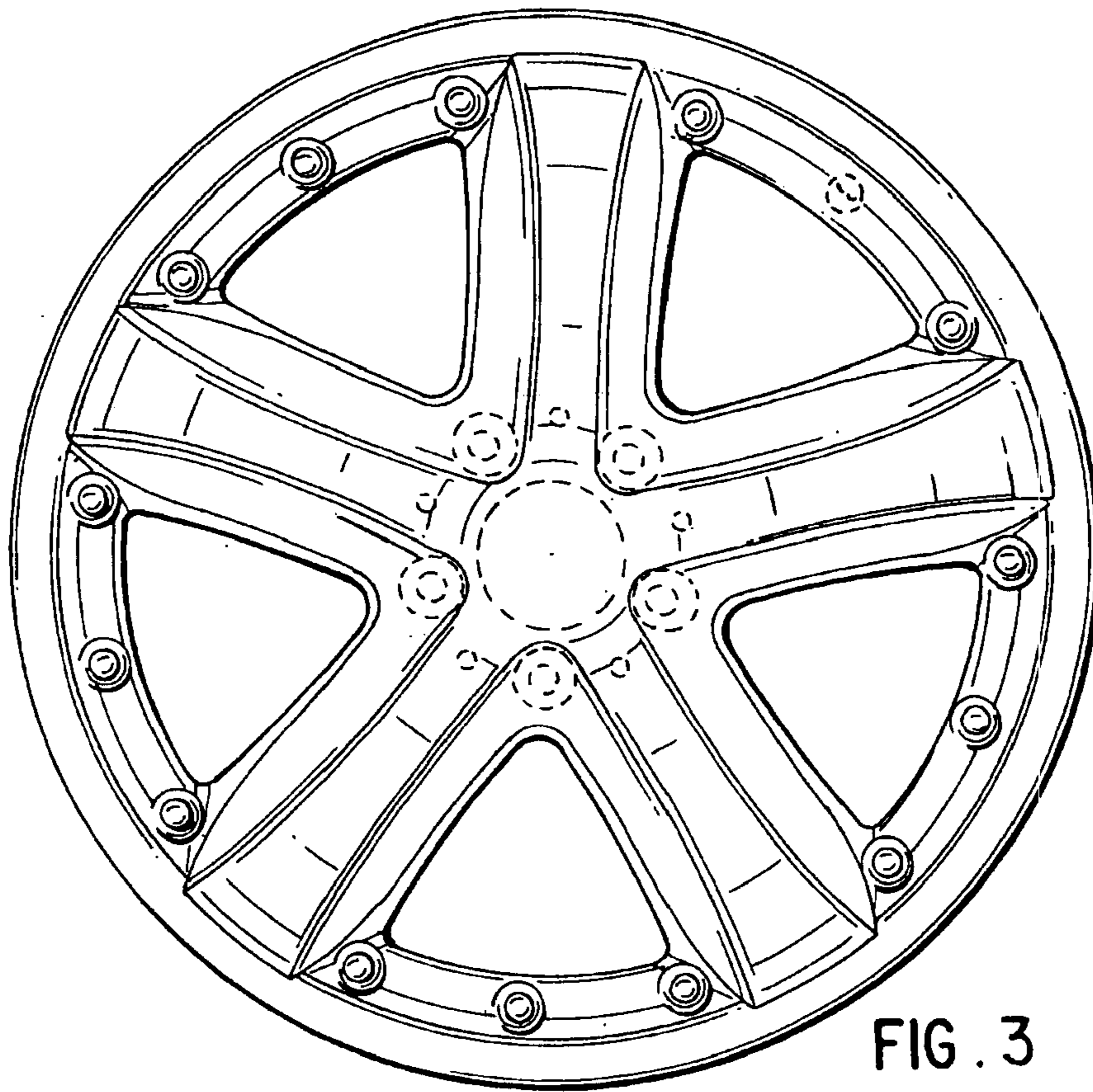


FIG. 3

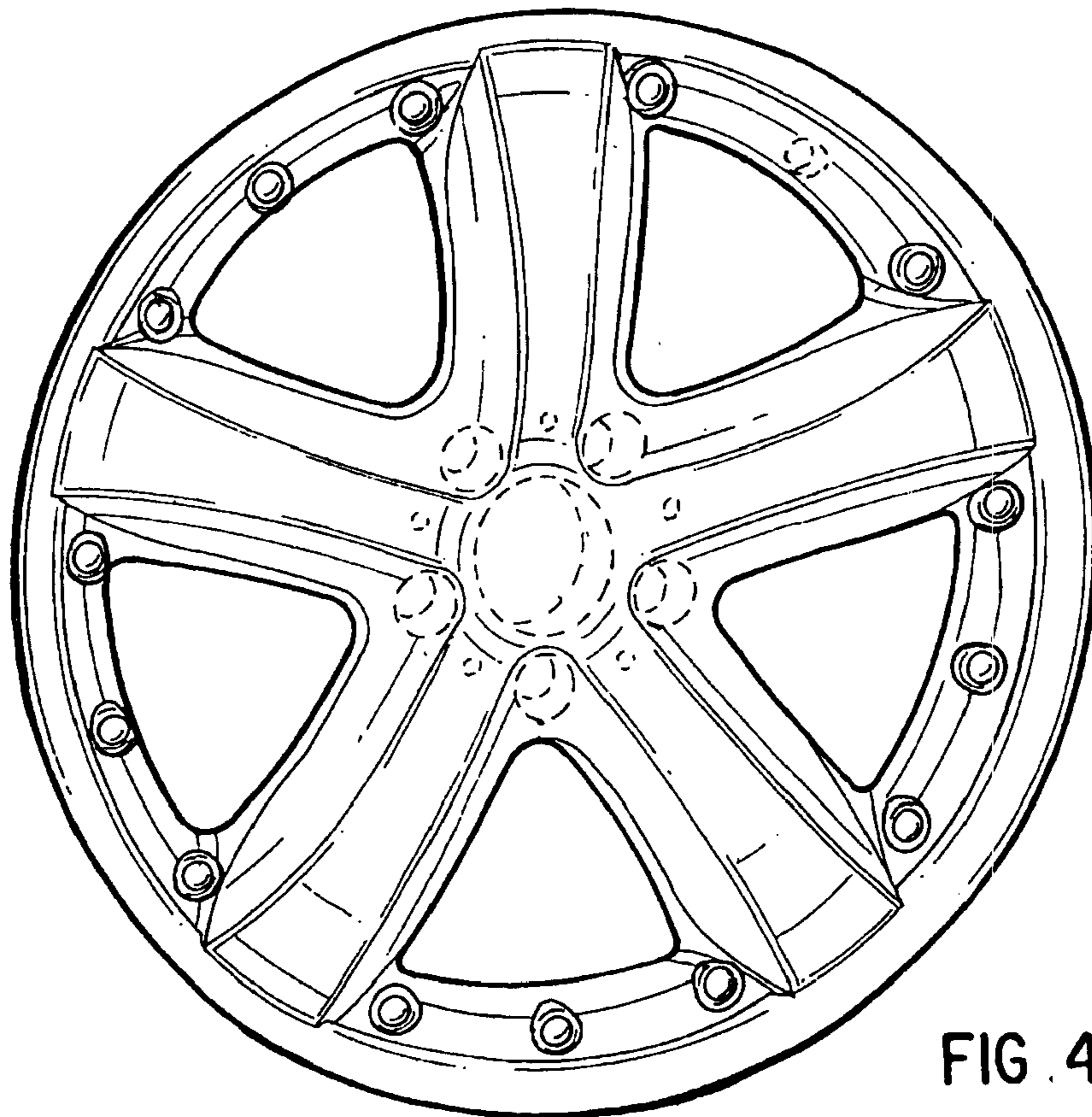


FIG. 4