



US00D525570S

(12) **United States Design Patent**  
**Sugiura et al.**

(10) **Patent No.:** **US D525,570 S**  
(45) **Date of Patent:** **\*\* Jul. 25, 2006**

- (54) **GRILL FOR AN AUTOMOBILE**
- (75) Inventors: **Hiroji Sugiura**, Aichi-ken (JP); **Kenji Tomida**, Aichi-ken (JP)
- (73) Assignee: **Toyota Jidosha Kabushiki Kaisha**, Aichi-ken (JP)
- (\*\*) Term: **14 Years**
- (21) Appl. No.: **29/227,219**
- (22) Filed: **Apr. 8, 2005**
- (51) **LOC (8) Cl.** ..... **12-16**
- (52) **U.S. Cl.** ..... **D12/163**
- (58) **Field of Classification Search** ..... D12/163,  
D12/171, 90-92, 216, 169, 196; 180/68.1,  
180/68.6; 296/193.11, 102, 113, 115  
See application file for complete search history.

(56) **References Cited**

**U.S. PATENT DOCUMENTS**

D448,329 S	*	9/2001	Maeda et al.	.....	D12/163
D461,751 S	*	8/2002	Suzuki	.....	D12/163
D485,793 S	*	1/2004	Meza et al.	.....	D12/163
D486,764 S	*	2/2004	Tachibana	.....	D12/163
D507,770 S	*	7/2005	Minami	.....	D12/163

**OTHER PUBLICATIONS**

Japanese magazine, "MotorFan," "Honda Edix," Aug. 26, 2004, published by San-eishobo Publishing Co., Ltd.  
 Japanese magazine, "MotorFan," "Nissan Stagea," Dec. 13, 2001, published by San-eishobo Publishing Co., Ltd.

Brochure of Alpha Hybrid, Mfg. Toyota Jidosha Kubushiki Kaisha.

Automotive Guidebook of Japan, 2001-2002, vol. 48; Model: Grand Escudo; Mfg: Suzuki Motor Corp., Oct. 24, 2001, pp. 132 and 297.

\* cited by examiner

*Primary Examiner*—Melody N. Brown

(74) *Attorney, Agent, or Firm*—Finnegan, Henderson, Farabow, Garrett & Dunner, LLP

(57) **CLAIM**

The ornamental design for a grill for an automobile, as shown and described.

**DESCRIPTION**

FIG. 1 is a left-front, perspective view of a grill for an automobile of our new design;

FIG. 2 is a front view thereof;

FIG. 3 is a rear view thereof;

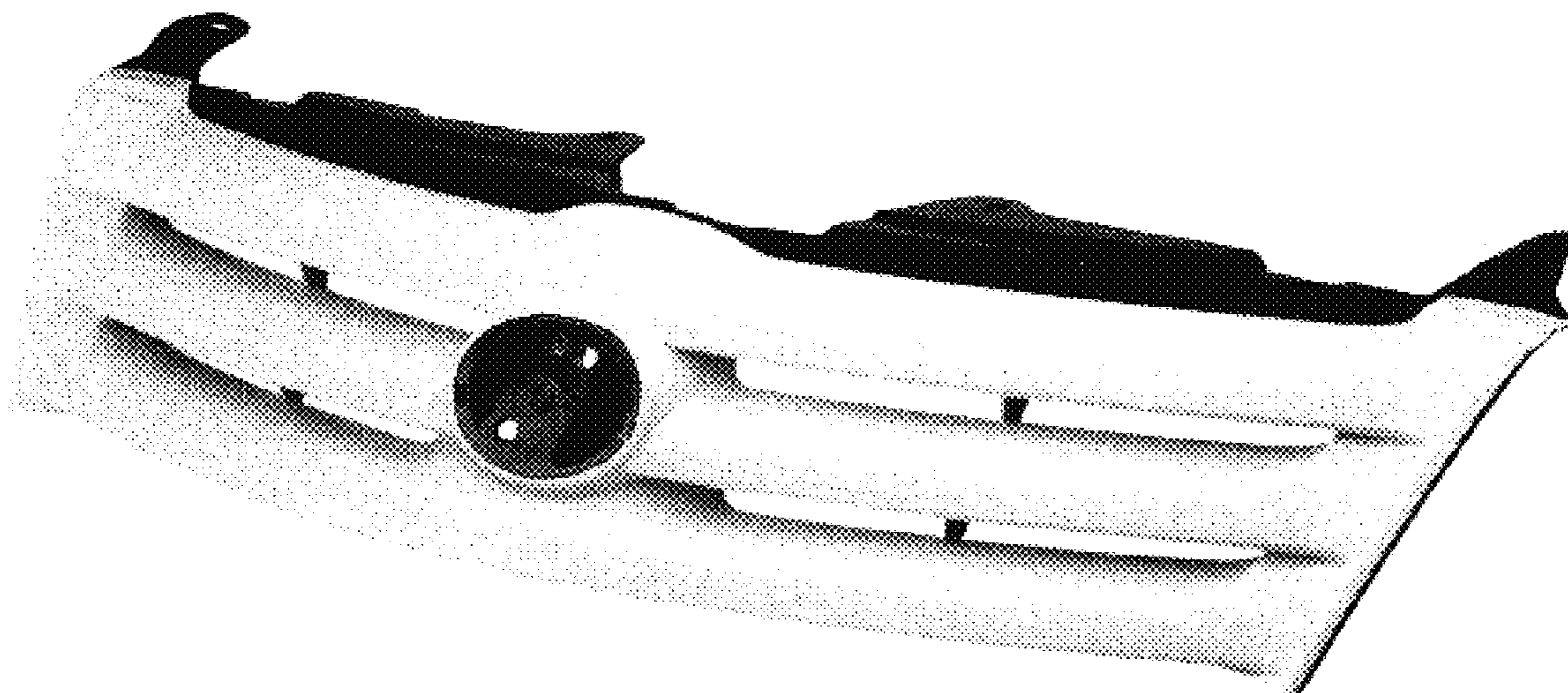
FIG. 4 is a top view thereof;

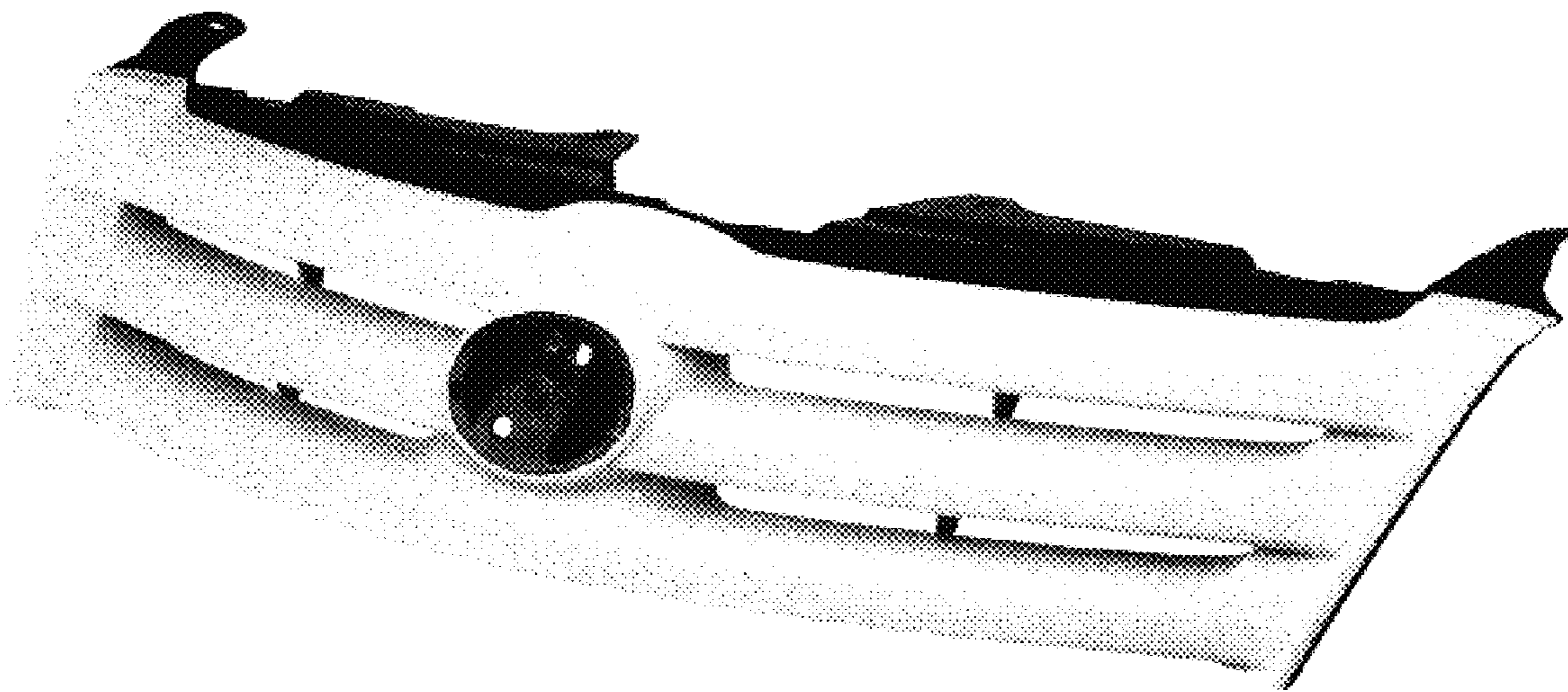
FIG. 5 is a bottom view thereof;

FIG. 6 is a left-side view of the design of FIG. 1, the right-side view being a mirror image thereof; and,

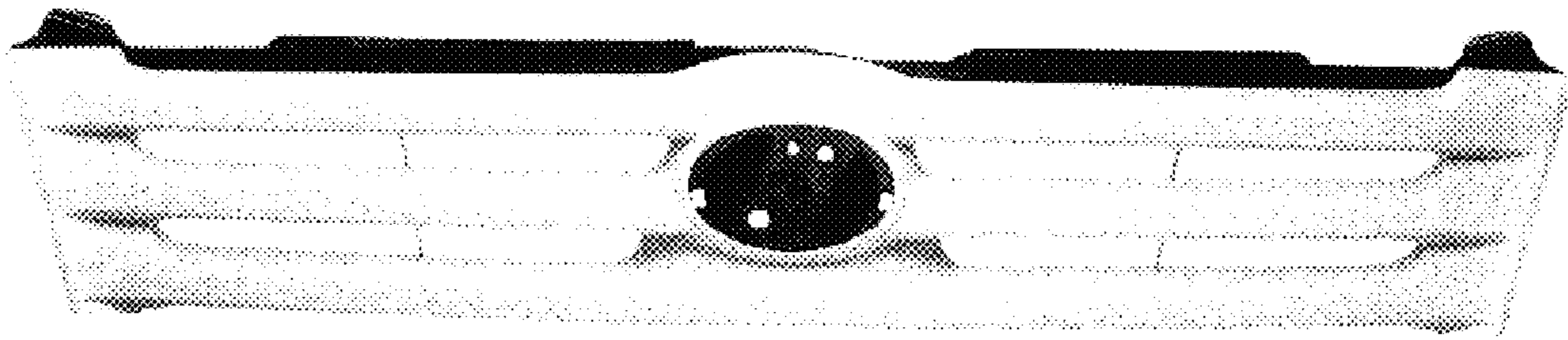
FIG. 7 is an enlarged, partial left-front perspective view of the design of FIG. 1.

**1 Claim, 4 Drawing Sheets**

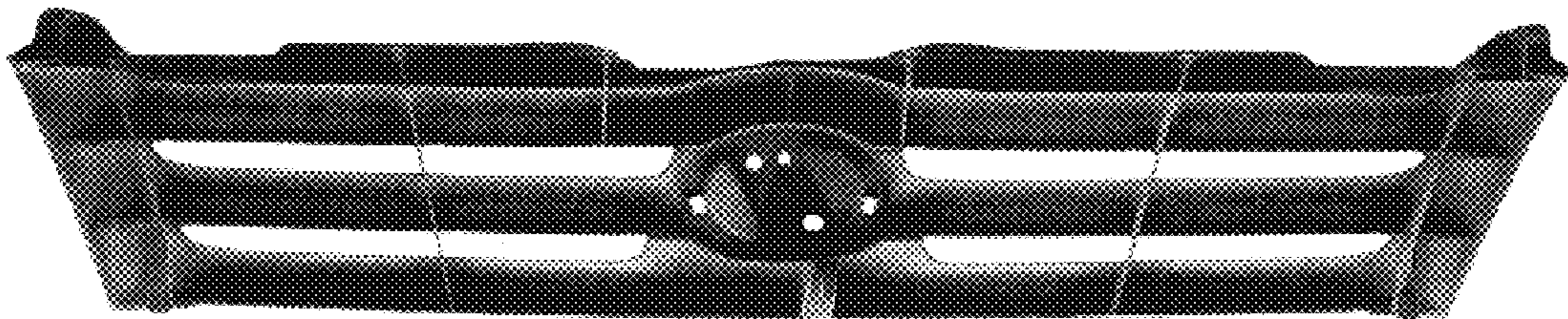




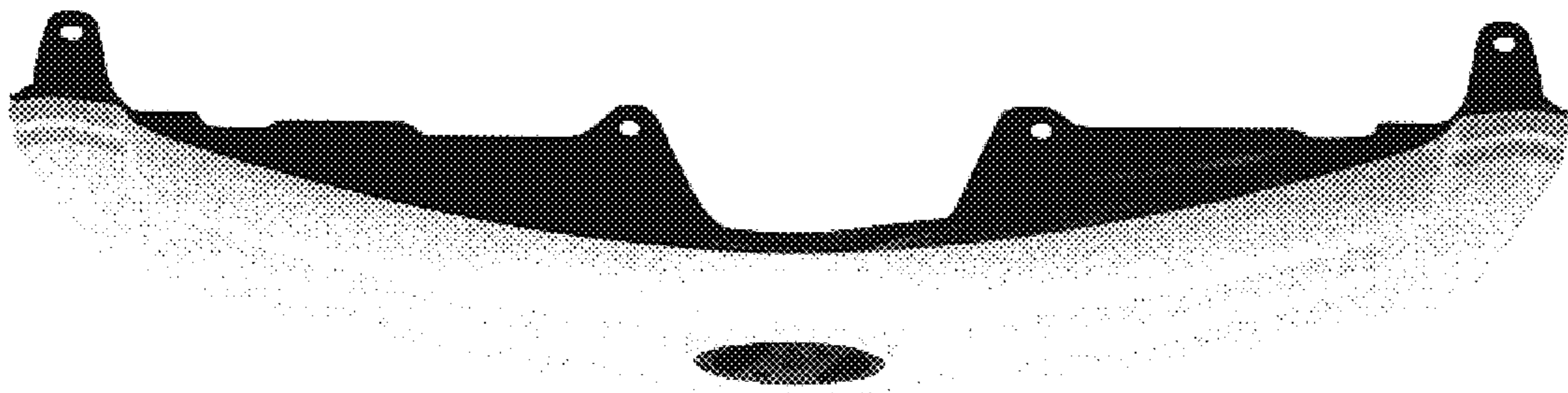
**FIG. 1**



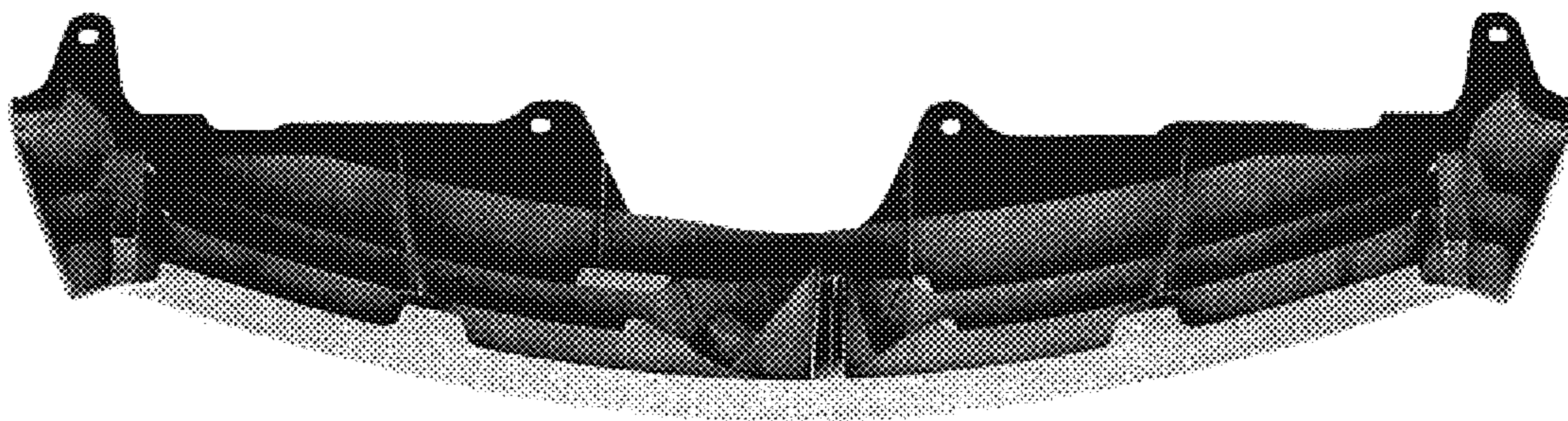
**FIG. 2**



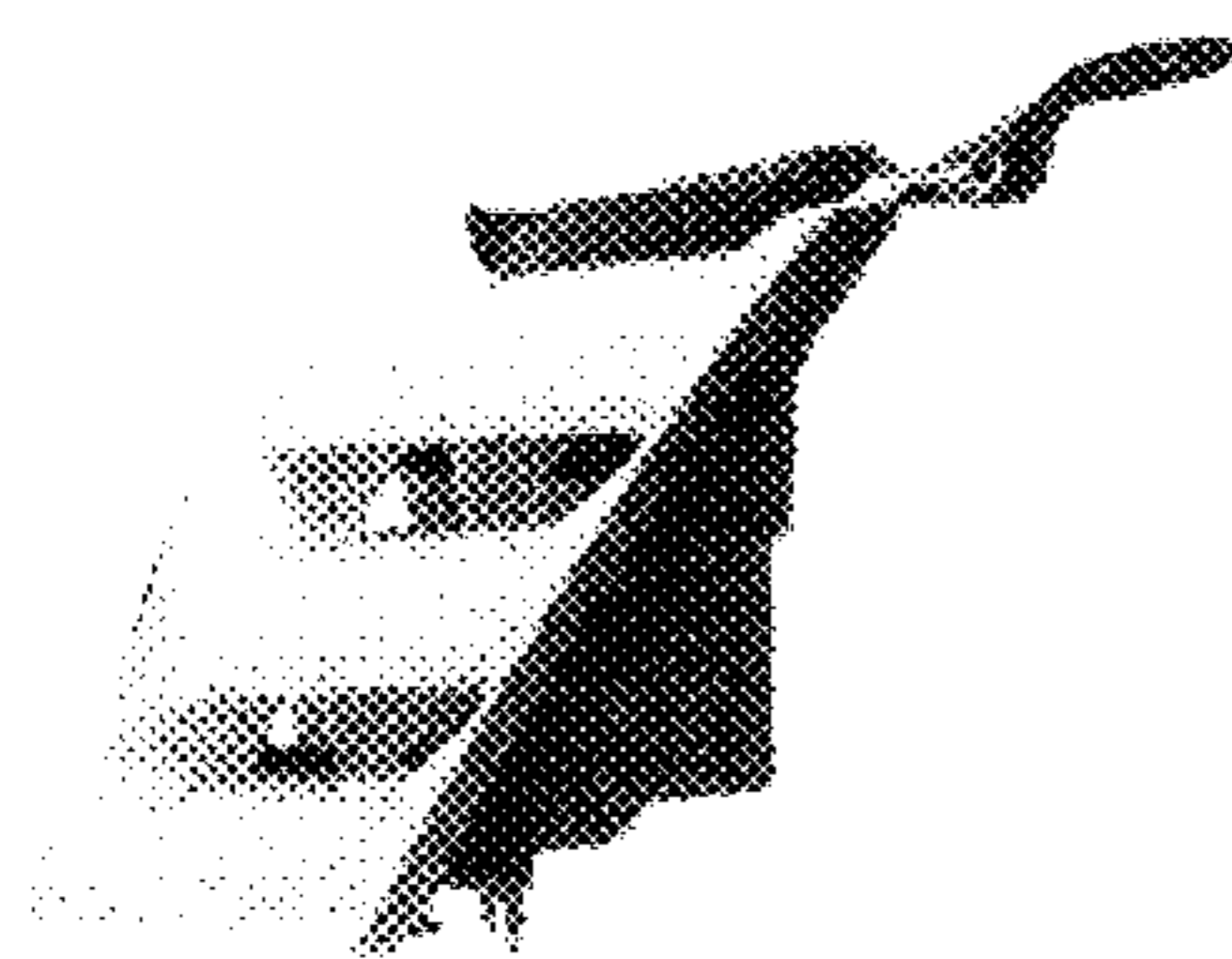
**FIG. 3**



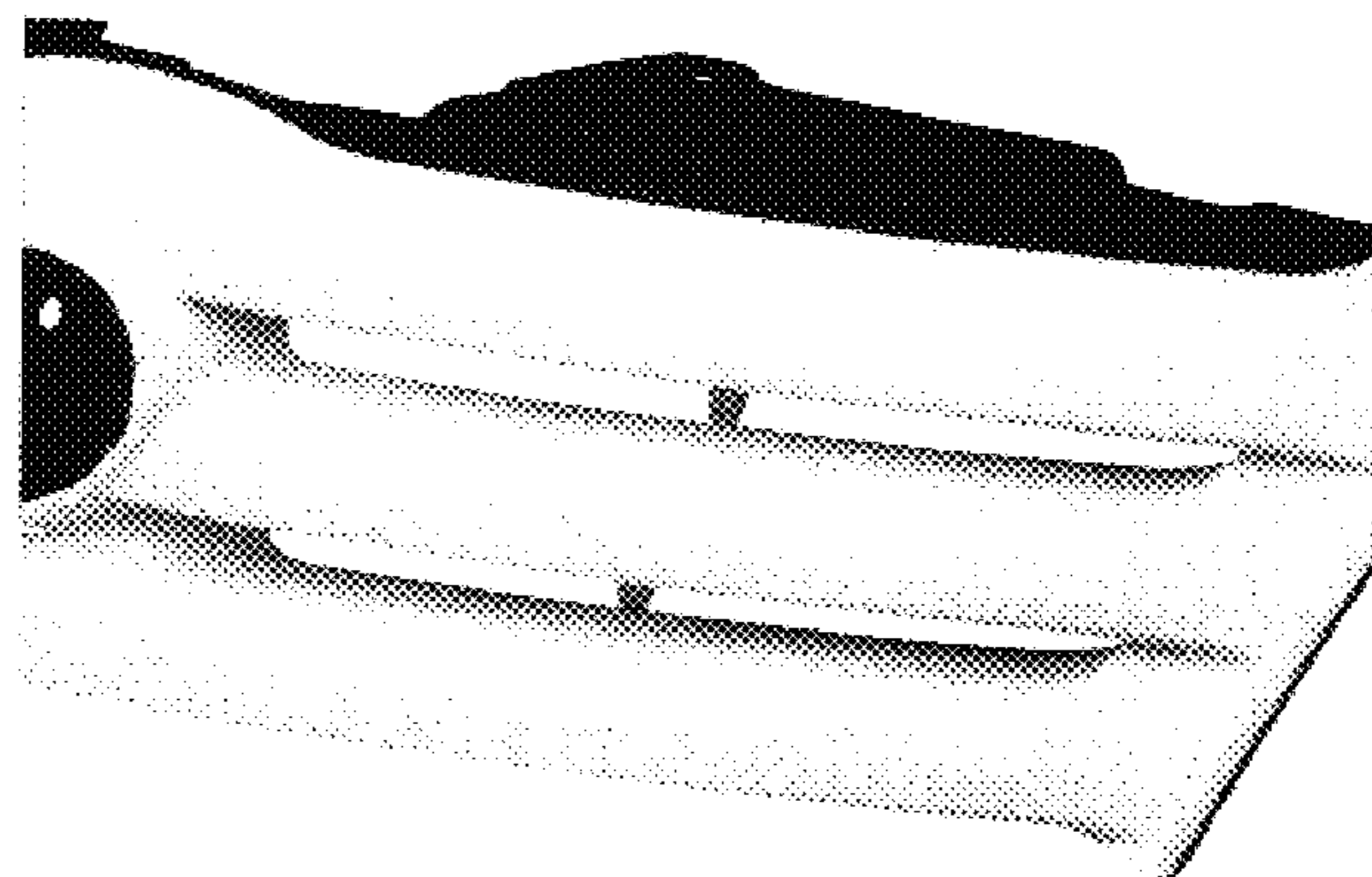
**FIG. 4**



**FIG. 5**



**FIG. 6**



**FIG. 7**