



US00D525569S

(12) **United States Design Patent**
Azuma et al.

(10) **Patent No.:** **US D525,569 S**
(45) **Date of Patent:** **** Jul. 25, 2006**

(54) **HANDLE FOR AN ELECTRIC WHEELCHAIRS**

(75) Inventors: **Koichi Azuma**, Wako (JP); **Tadahiro Yaguchi**, Wako (JP)

(73) Assignee: **Honda Motor Co., Ltd.**, Tokyo (JP)

(**) Term: **14 Years**

(21) Appl. No.: **29/226,945**

(22) Filed: **Apr. 5, 2005**

(30) **Foreign Application Priority Data**

Oct. 8, 2004 (JP) 2004-030590

(51) **LOC (8) Cl.** **12-12**

(52) **U.S. Cl.** **D12/133**

(58) **Field of Classification Search** D12/128-133;
180/216, 217, 907, 908; 280/250.1, 304.1
See application file for complete search history.

(56) **References Cited**

U.S. PATENT DOCUMENTS

D499,990 S * 12/2004 Refsum et al. D12/133

D506,419 S * 6/2005 Coster D12/133

* cited by examiner

Primary Examiner—Marcus A. Jackson

(74) *Attorney, Agent, or Firm*—Arent Fox, PLLC

(57) **CLAIM**

The ornamental design for a handle for an electric wheelchairs, as shown and described.

DESCRIPTION

FIG. 1 is a front view of a handle for an electric wheelchair showing my new design.

FIG. 2 is a rear view thereof.

FIG. 3 is a plan view thereof.

FIG. 4 is a bottom view thereof.

FIG. 5 is a right side view thereof.

FIG. 6 is a left side view thereof; and,

FIG. 7 is a perspective view thereof as seen from the left front side.

1 Claim, 2 Drawing Sheets

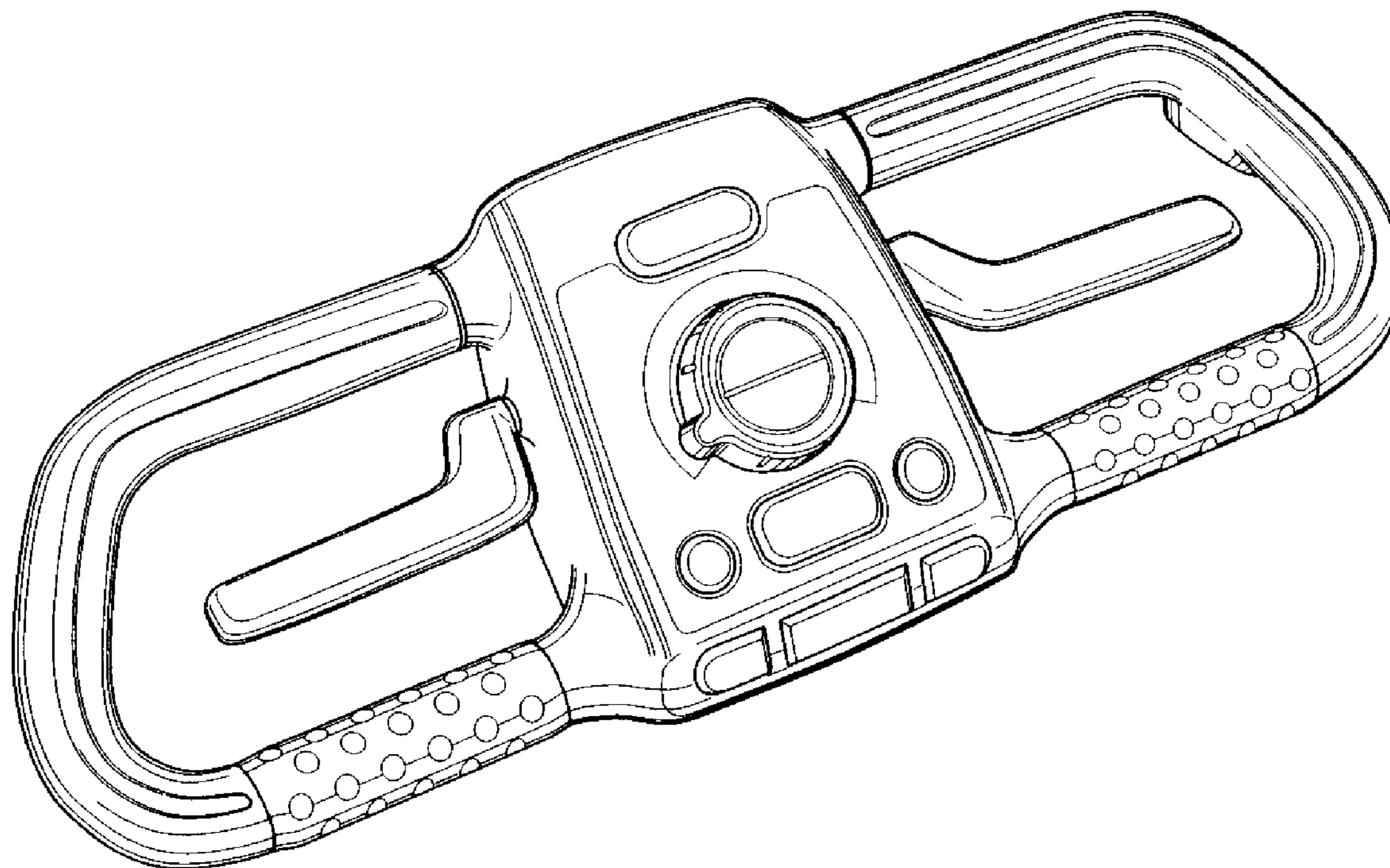


FIG.1

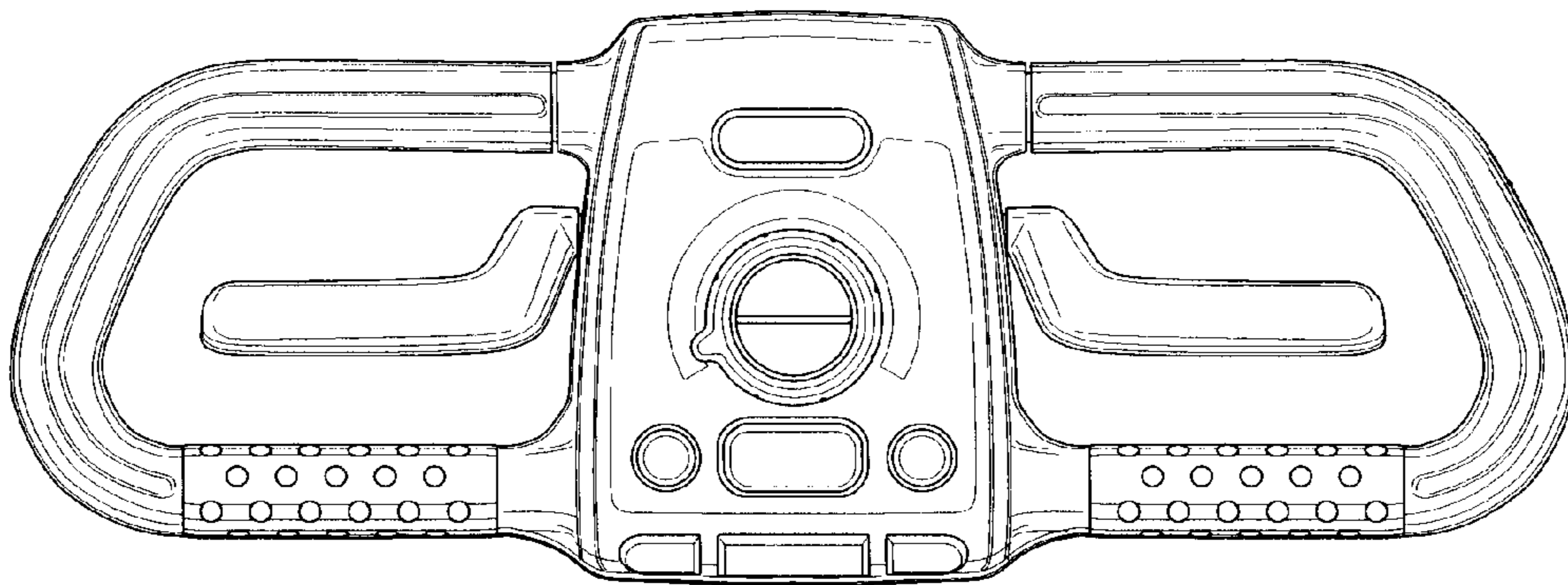


FIG.2

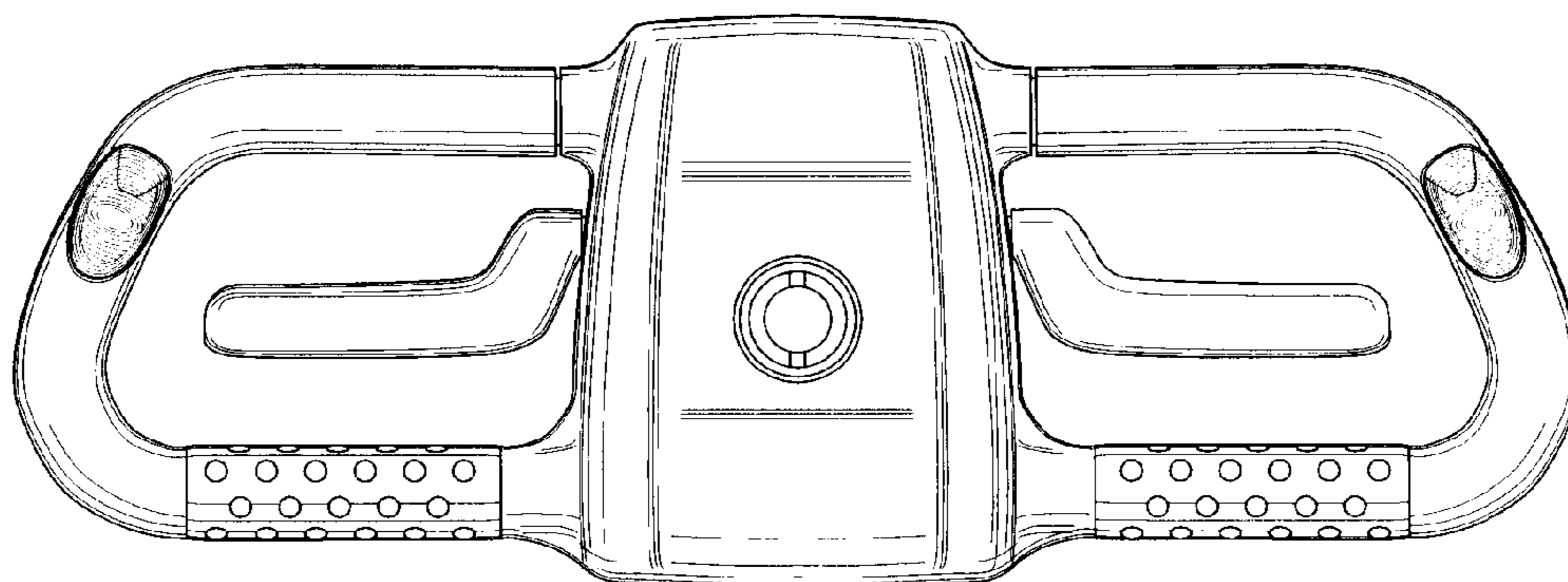


FIG.3

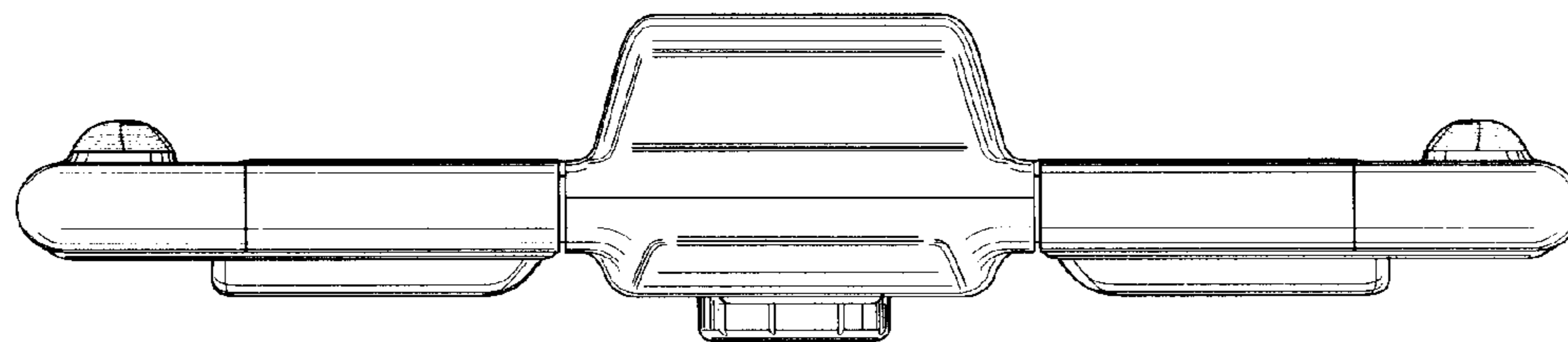


FIG.4

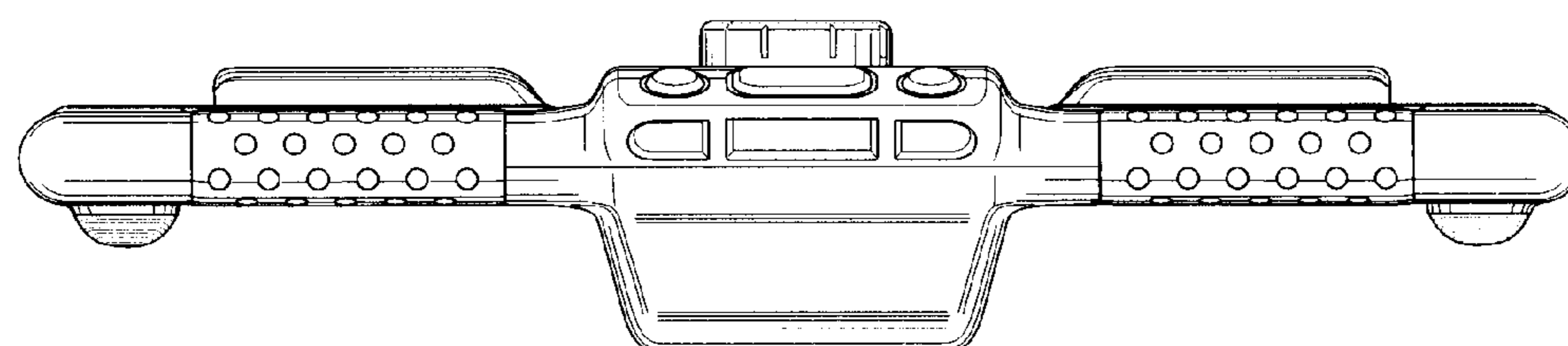


FIG.5

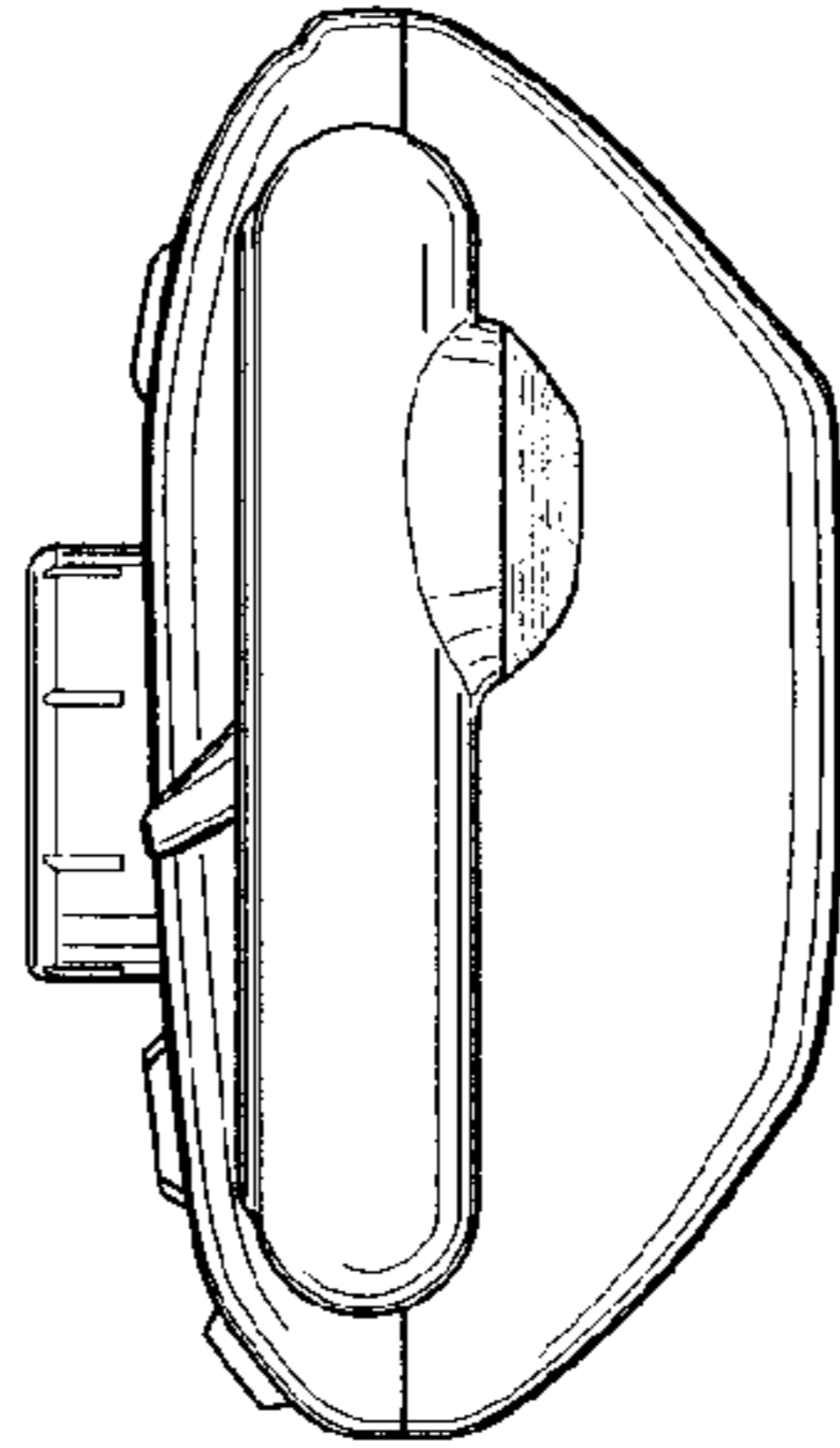


FIG.6

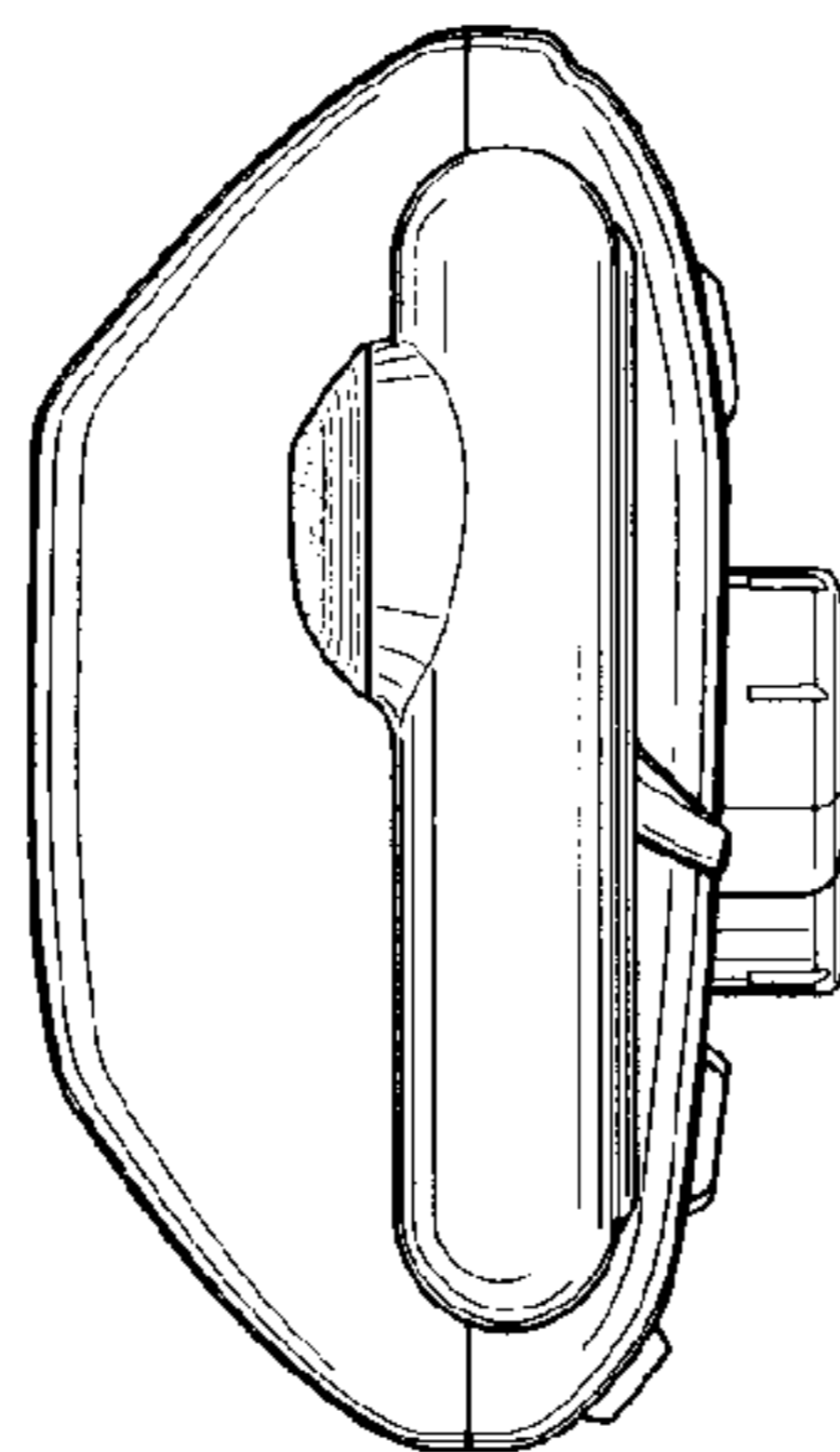


FIG.7

