



US00D525568S

(12) **United States Design Patent**
Baron

(10) **Patent No.:** **US D525,568 S**

(45) **Date of Patent:** **** Jul. 25, 2006**

(54) **TRICYCLE**

(75) **Inventor:** **Yoram Baron, Sederot (IL)**

(73) **Assignee:** **Ofrat Baby Toys Manufacturers Ltd., Sederot (IL)**

(**) **Term:** **14 Years**

(21) **Appl. No.:** **29/224,731**

(22) **Filed:** **Mar. 3, 2005**

(30) **Foreign Application Priority Data**

Oct. 5, 2004 (IL) 39759

(51) **LOC (8) Cl.** **12-11**

(52) **U.S. Cl.** **D12/112**

(58) **Field of Classification Search** D12/112, D12/113; D21/432, 435, 538; 280/202, 282, 280/259, 270, 263, 293, 304.5, 288.4, 281.1; 446/427, 428, 465, 470, 440, 471

See application file for complete search history.

(56) **References Cited**

U.S. PATENT DOCUMENTS

D427,112 S * 6/2000 Chauderge D12/112
6,685,207 B1 * 2/2004 Blake 280/282
2004/0066018 A1 * 4/2004 Li 280/282

* cited by examiner

Primary Examiner—Alan P. Douglas

Assistant Examiner—Linda Brooks

(74) *Attorney, Agent, or Firm*—Darby & Darby

(57) **CLAIM**

The ornamental design for a “tricycle,” as shown and described.

DESCRIPTION

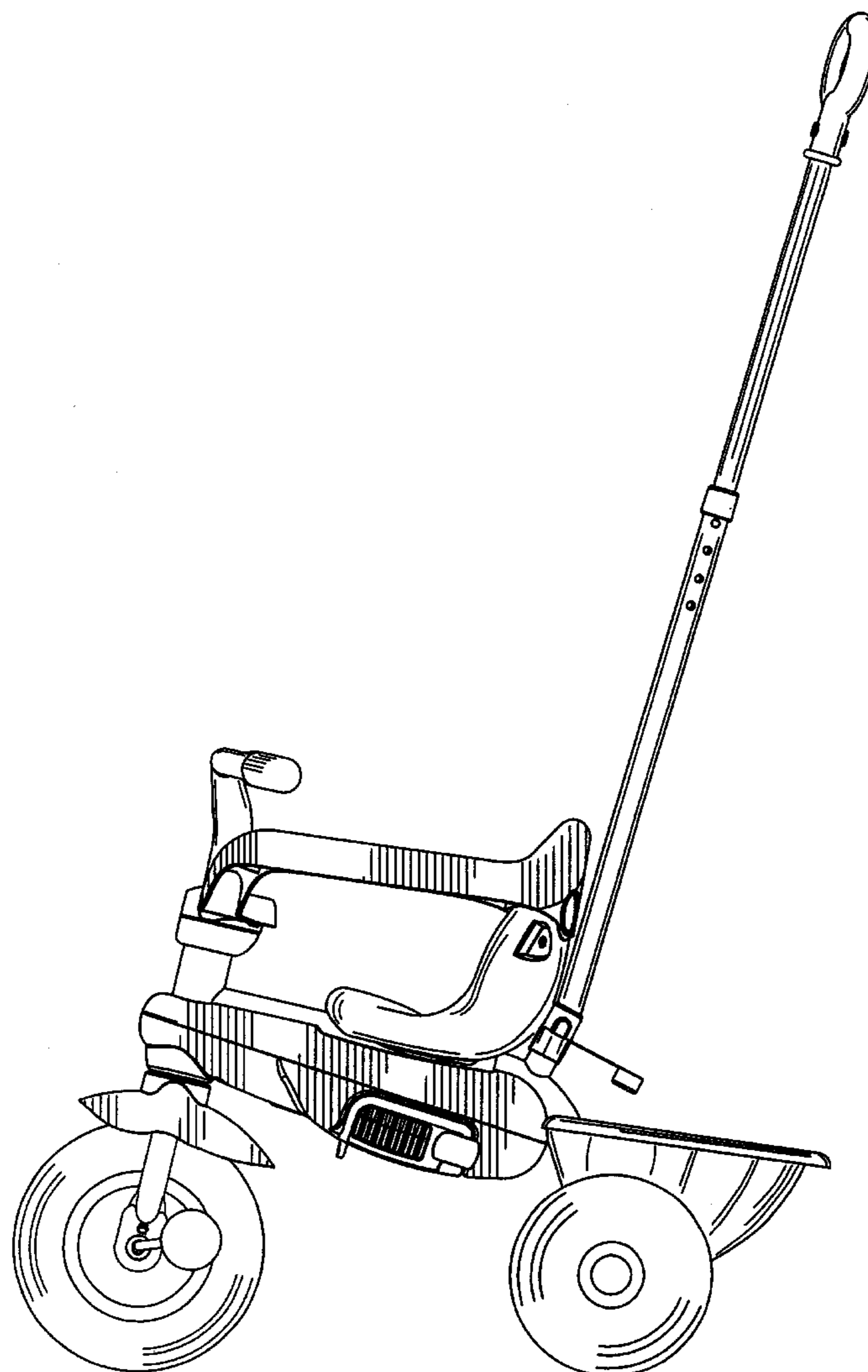
FIG. 1 shows a side view of the tricycle.

FIG. 2 shows a top view thereof.

FIG. 3 shows a back view thereof; and,

FIG. 4 shows a front view thereof.

1 Claim, 4 Drawing Sheets



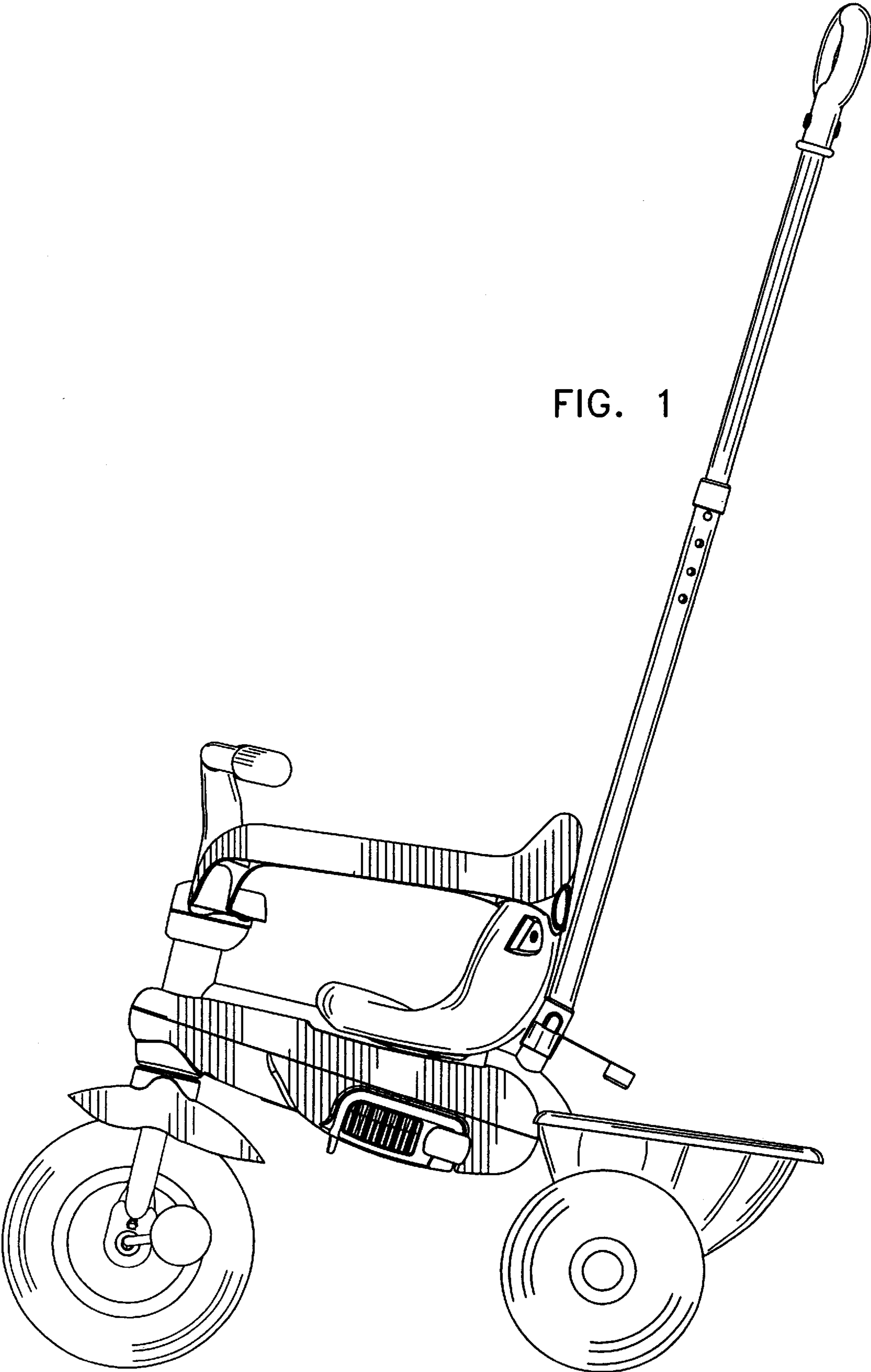


FIG. 1

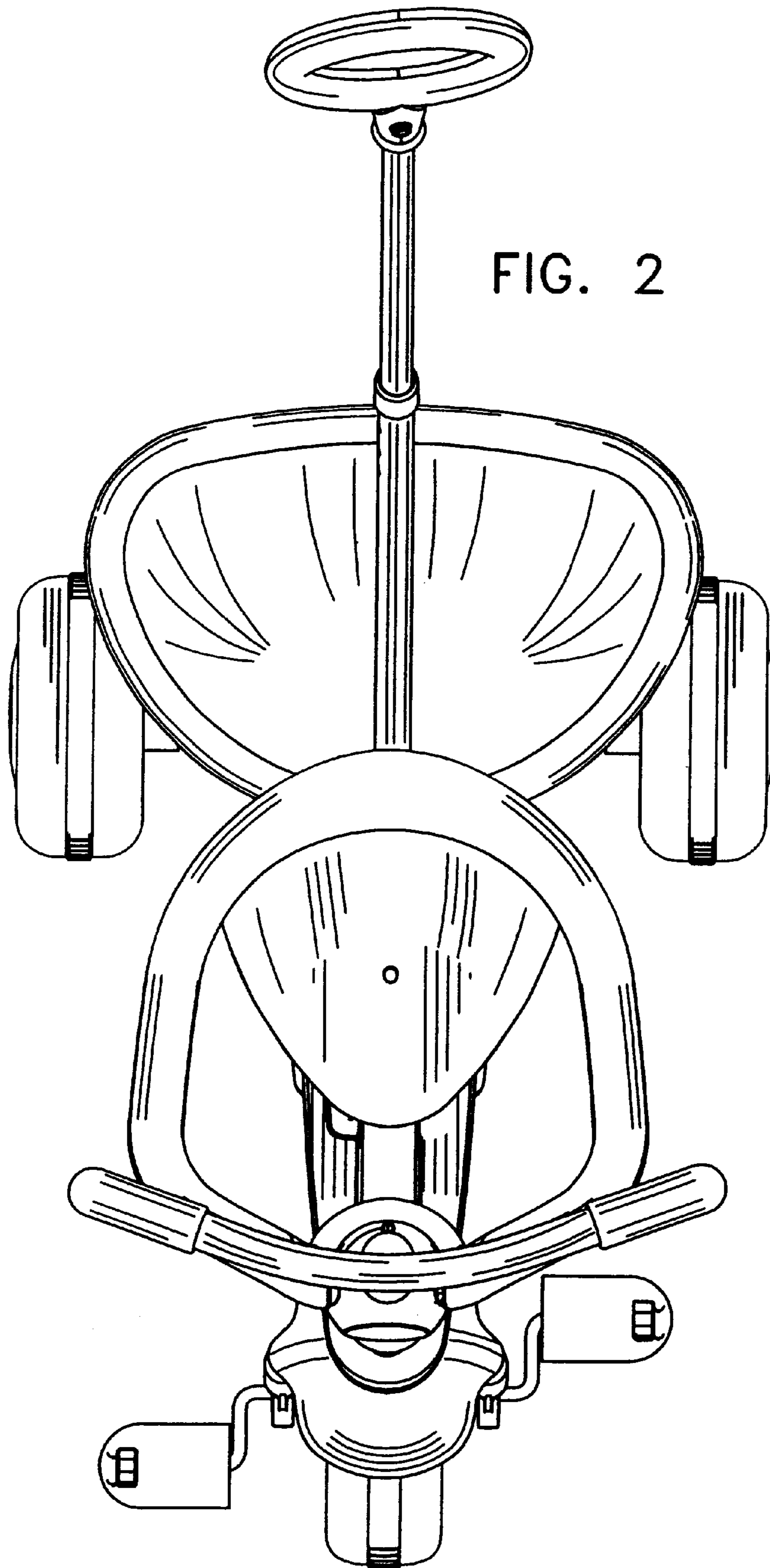


FIG. 2

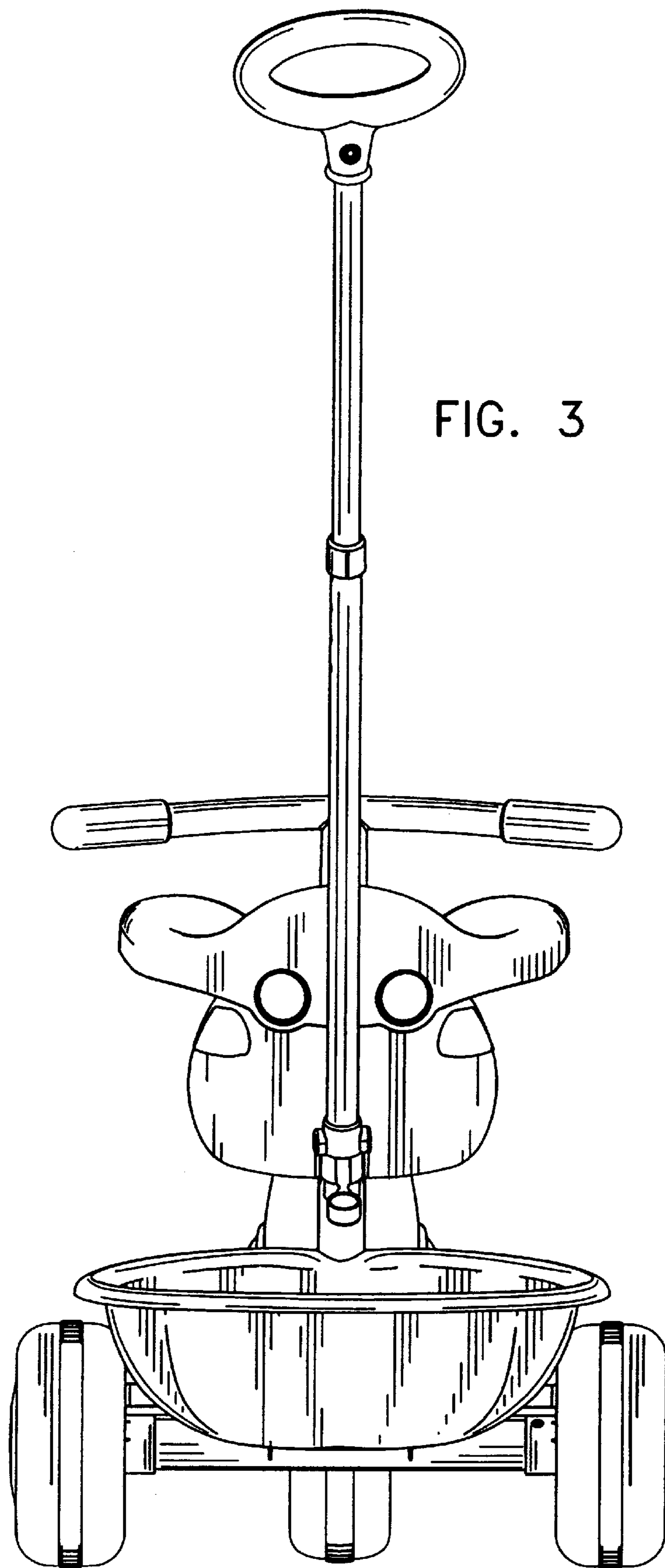


FIG. 3

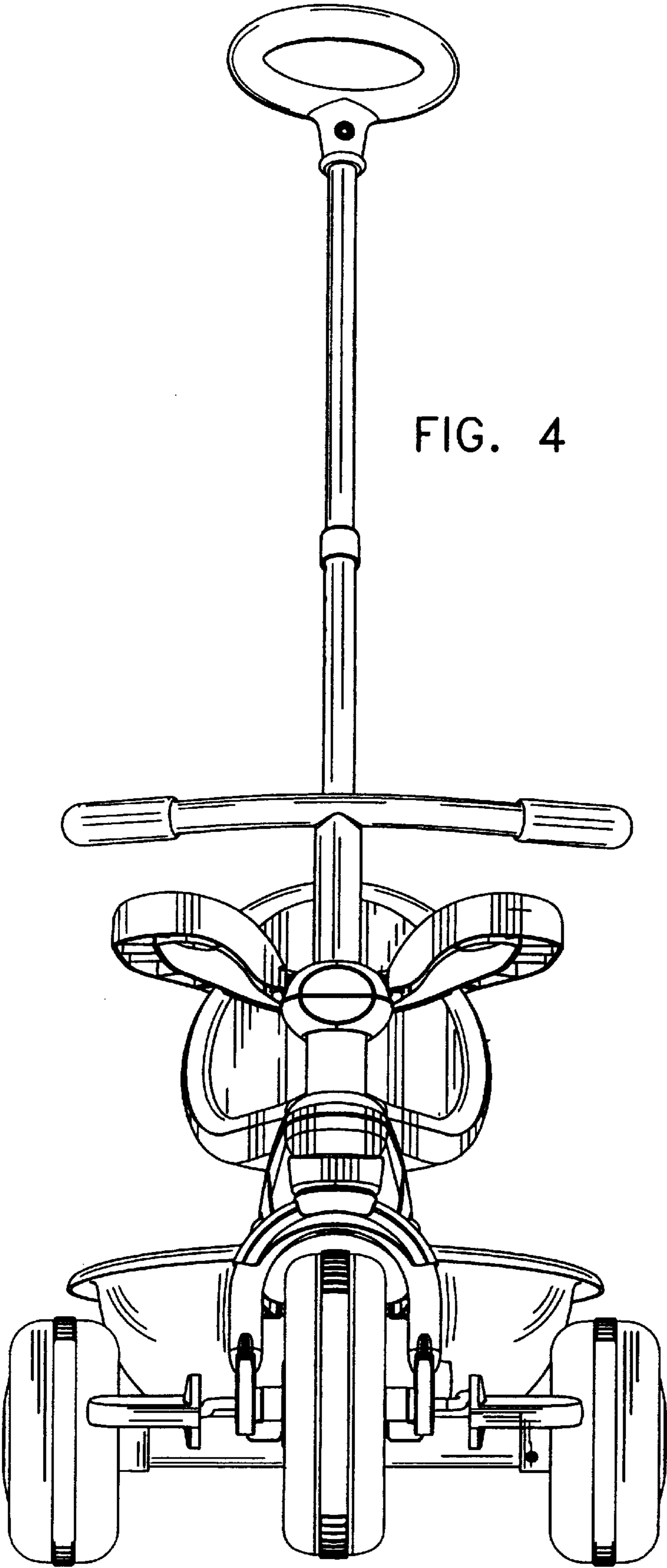


FIG. 4