



US00D525557S

(12) **United States Design Patent**  
**Hardy**

(10) **Patent No.:** **US D525,557 S**

(45) **Date of Patent:** **\*\* Jul. 25, 2006**

(54) **CHARM**

(75) Inventor: **Pierre Hardy**, Paris (FR)

(73) Assignee: **Hermes Sellier**, Paris (FR)

(\*\*) Term: **14 Years**

(21) Appl. No.: **29/236,548**

(22) Filed: **Aug. 16, 2005**

(30) **Foreign Application Priority Data**

Feb. 17, 2005 (WO) ..... DM/066 470

(51) **LOC (8) Cl.** ..... **11-01**

(52) **U.S. Cl.** ..... **D11/81**

(58) **Field of Classification Search** ..... D11/1-2,  
D11/7, 40-44, 46-49, 53, 56-57, 59-61,  
D11/63, 65, 79-83, 86-87, 89-90, 99, 91-92,  
D11/101, 106, 114-116, 200-201; 63/1.11,  
63/18-20; D3/207-211

See application file for complete search history.

(56) **References Cited**

**U.S. PATENT DOCUMENTS**

277,339 A \* 5/1883 Pine ..... 29/896.41

D23,857 S \* 12/1894 Rhodes ..... D11/81  
D136,753 S \* 11/1943 Lyon ..... D3/249  
D302,957 S \* 8/1989 Saxon ..... D11/80  
D324,189 S \* 2/1992 Makoshi ..... D11/80  
D474,127 S \* 5/2003 Potter et al. .... D11/81

**OTHER PUBLICATIONS**

Rio Grande Gems and Findings Aug. 2003–Aug. 2004  
Catalog, items C, D & E on p. 462.\*

\* cited by examiner

*Primary Examiner*—Ralf Seifert

(74) *Attorney, Agent, or Firm*—Darby & Darby

(57) **CLAIM**

The ornamental design for charm, as shown and described.

**DESCRIPTION**

FIG. 1 is a front perspective view of a charm showing my  
new design;

FIG. 2 is a front elevation view thereof;

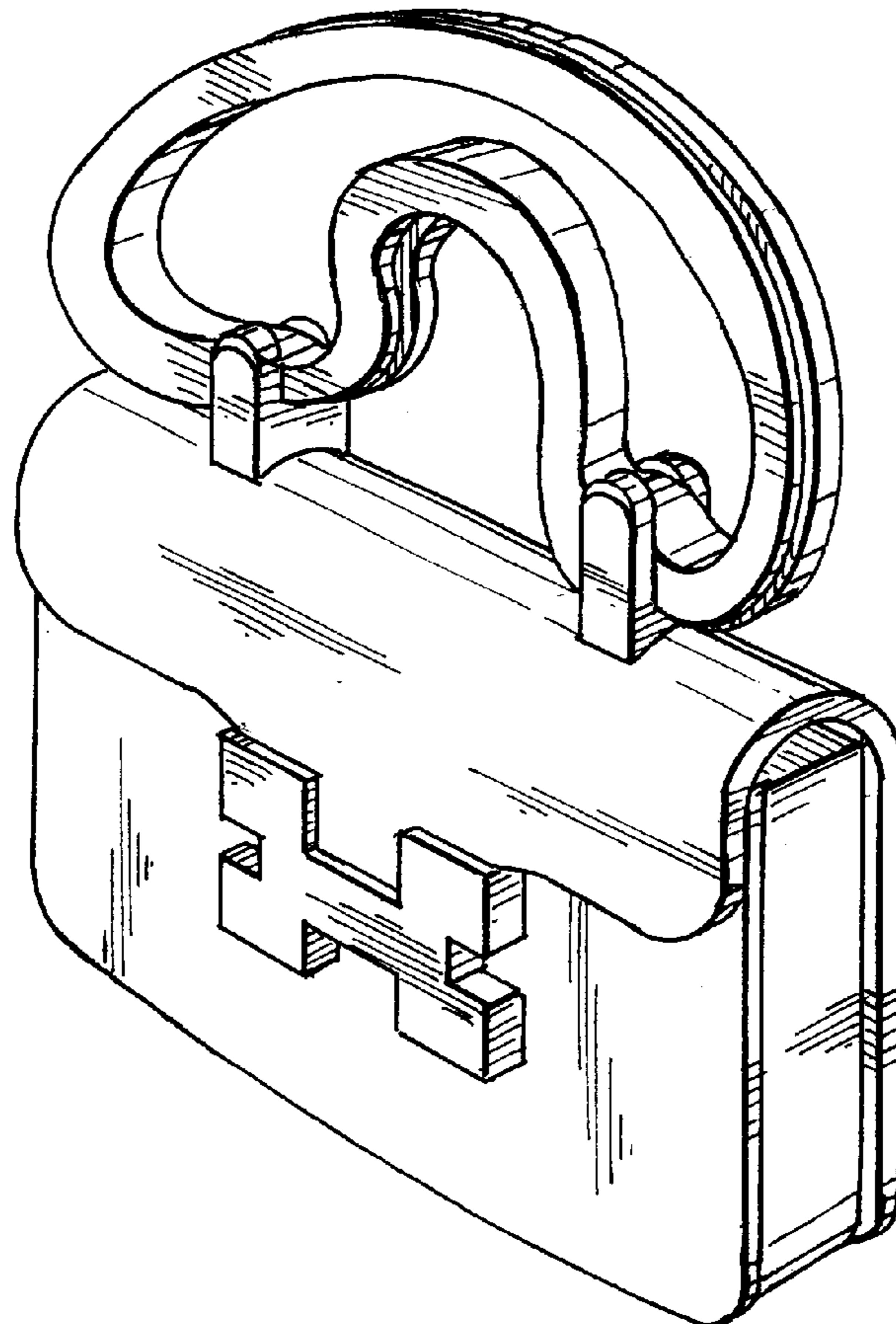
FIG. 3 is a right side elevation view;

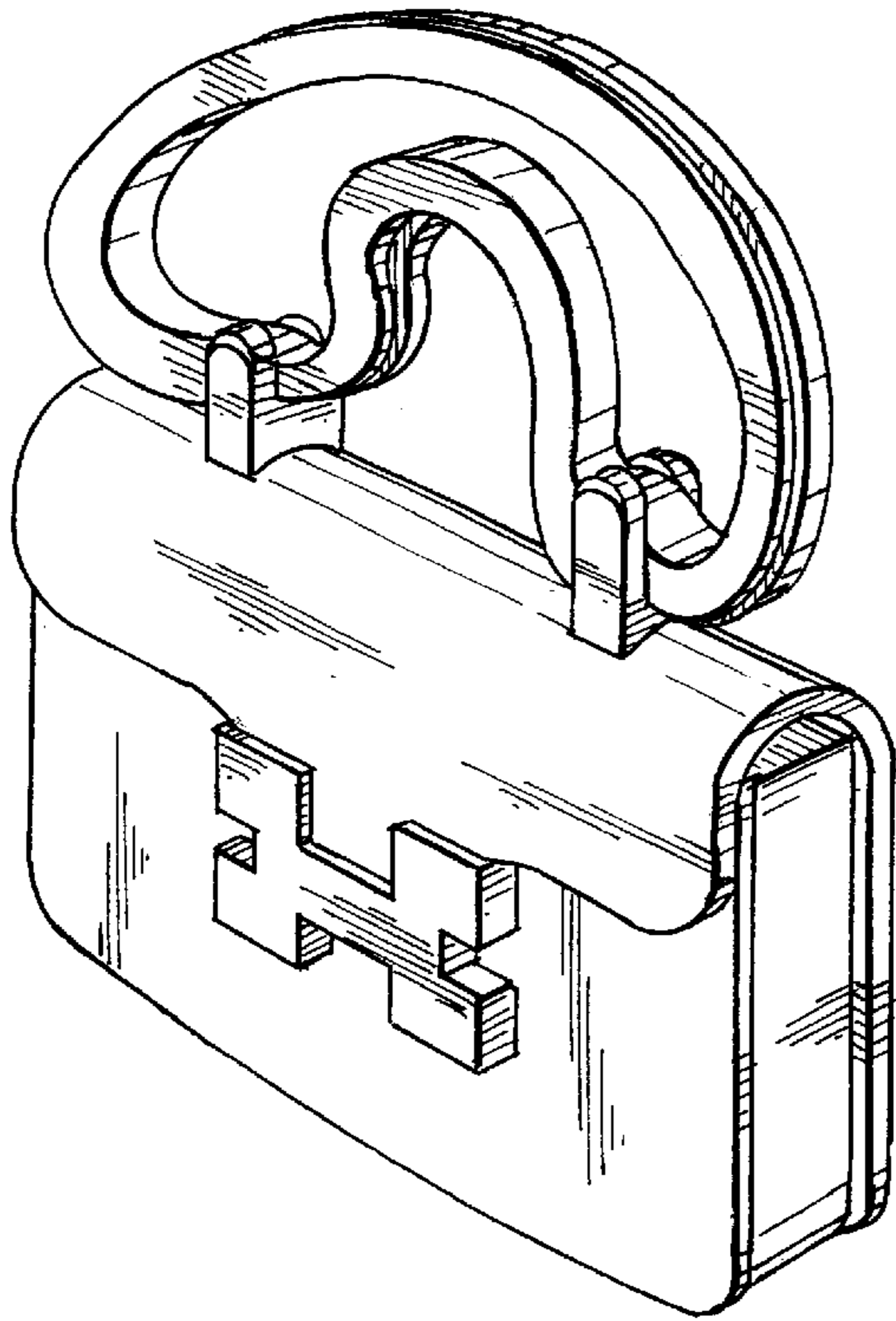
FIG. 4 is a rear elevation view thereof;

FIG. 5 is a top plan view thereof; and,

FIG. 6 is a bottom plan view thereof.

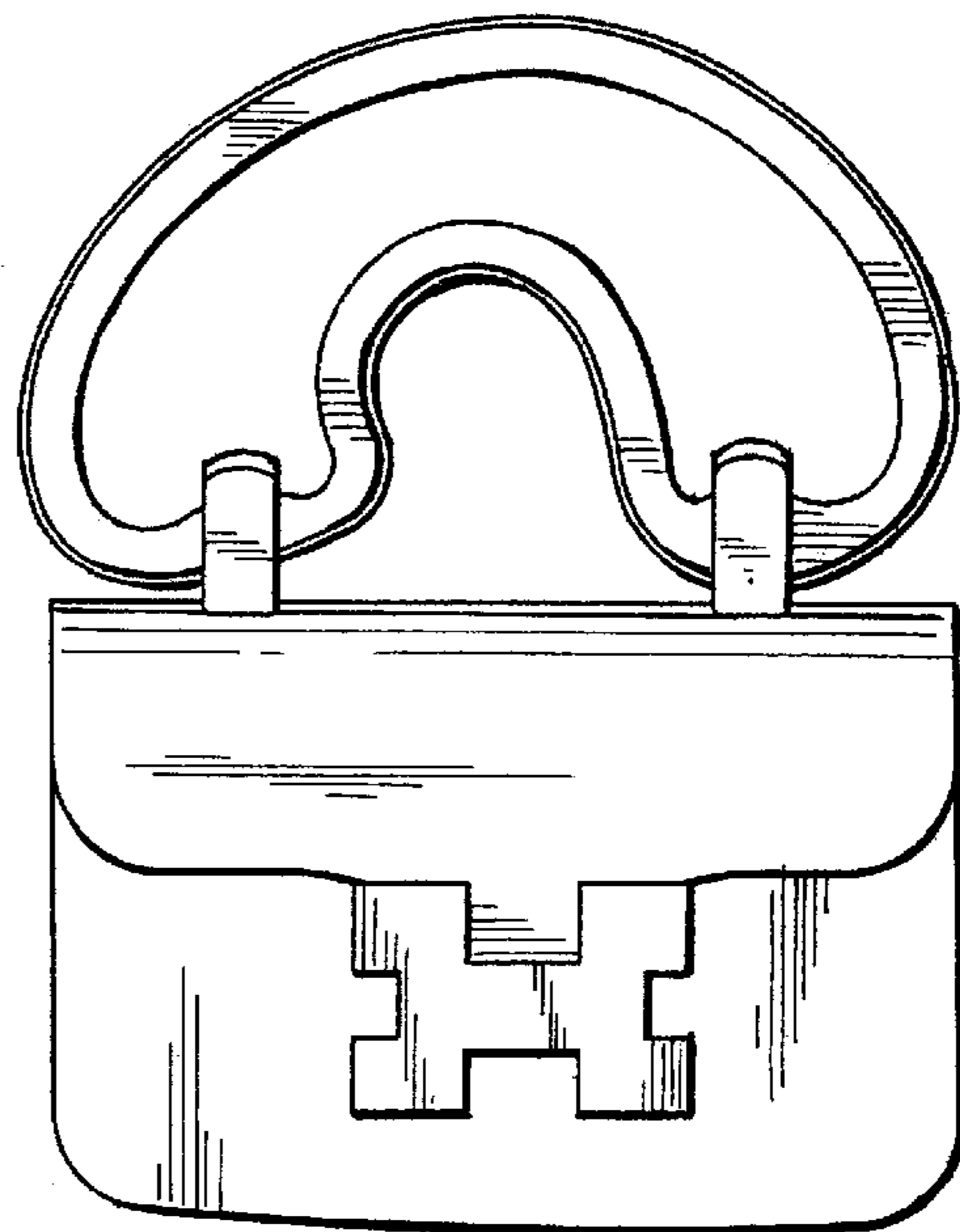
**1 Claim, 2 Drawing Sheets**



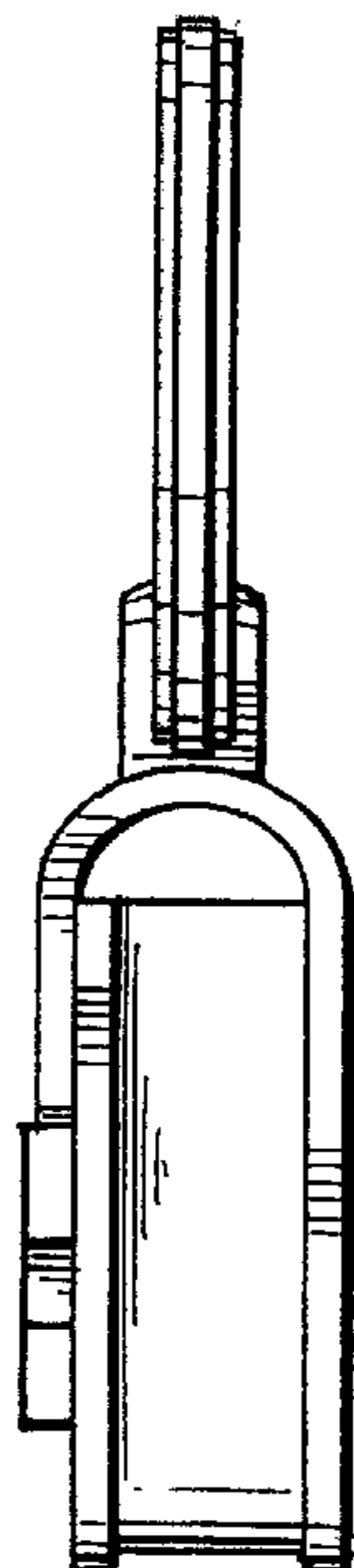


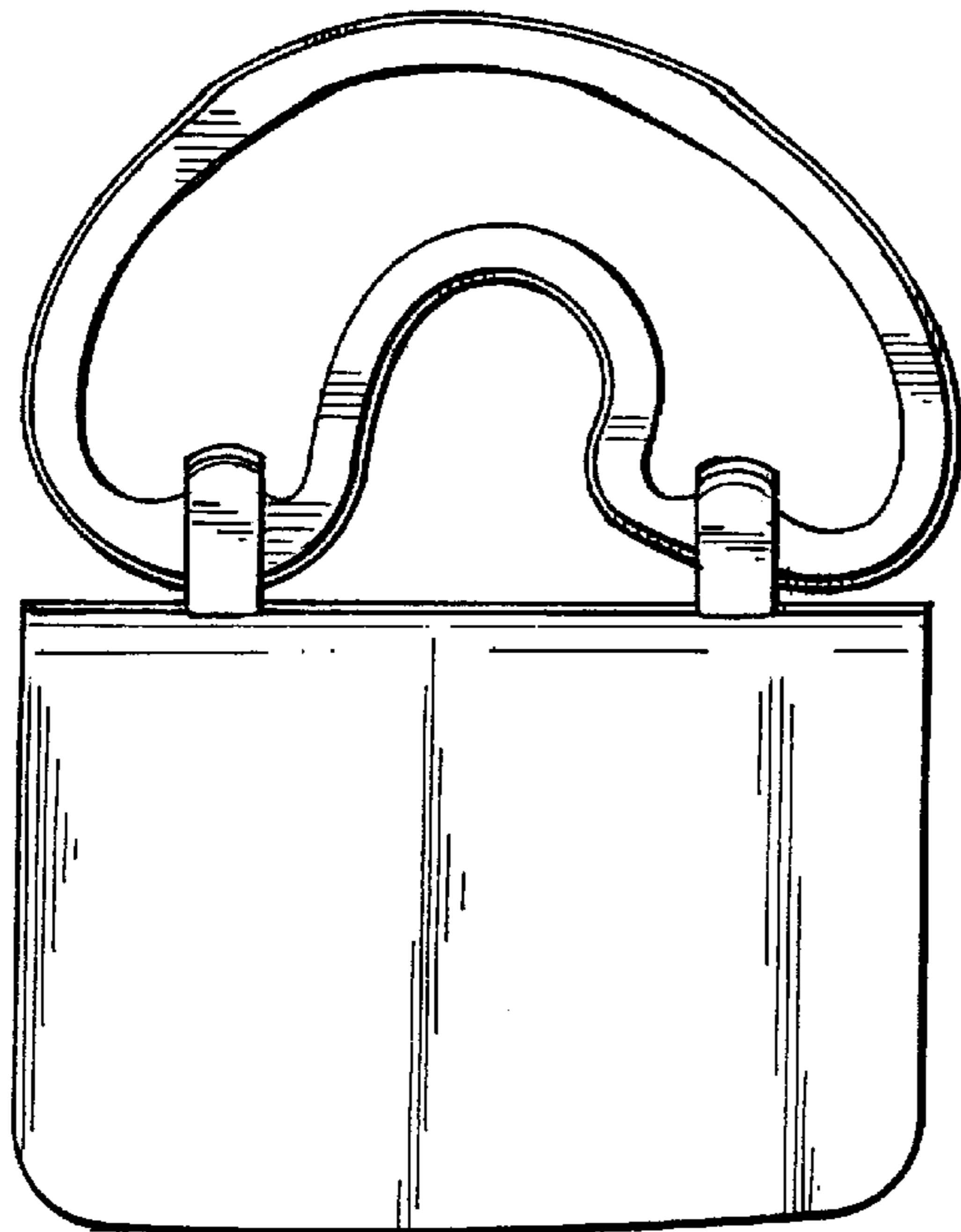
**FIG. 1**

**FIG. 2**



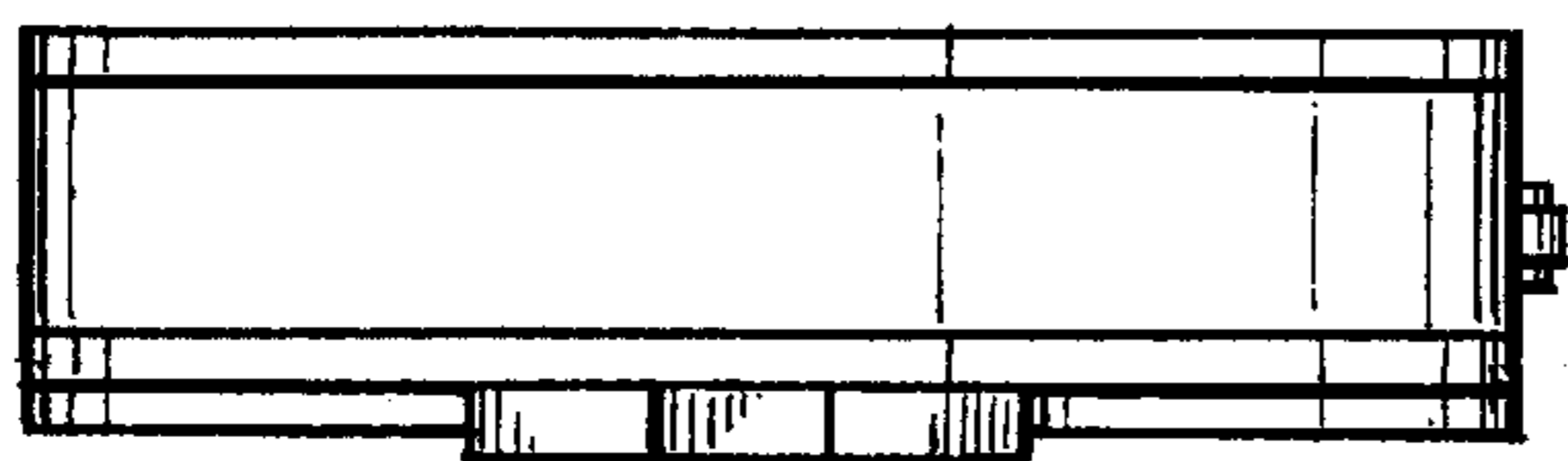
**FIG. 3**





**FIG. 4**

**FIG. 5**



**FIG. 6**