



US00D525546S

(12) **United States Design Patent**
Stahl et al.

(10) **Patent No.:** **US D525,546 S**
(45) **Date of Patent:** **** Jul. 25, 2006**

(54) **KITCHEN SCALE WITH REMOVABLE DISPLAY**

(75) Inventors: **Albrecht Stahl**, Sulzbach/Murrhardt (DE); **Daniel Dockner**, Stuttgart (DE)

(73) Assignee: **Soehnle-Waagen GmbH und Co. KG**, Murrhardt (DE)

(**) Term: **14 Years**

(21) Appl. No.: **29/238,327**

(22) Filed: **Sep. 14, 2005**

(30) **Foreign Application Priority Data**

Mar. 16, 2005 (DE) 405 01 517

(51) **LOC (8) Cl.** **10-04**

(52) **U.S. Cl.** **D10/91**

(58) **Field of Classification Search** D10/91;
177/164, 256, 238-245

See application file for complete search history.

(56) **References Cited**

U.S. PATENT DOCUMENTS

D415,048 S * 10/1999 Fabian D10/91

D419,086 S * 1/2000 Schmid D10/91

D426,479 S * 6/2000 Gerlach et al. D10/91

* cited by examiner

Primary Examiner—Antoine D. Davis

(74) *Attorney, Agent, or Firm*—Darby & Darby

(57) **CLAIM**

The ornamental design for a kitchen scale with removable display, as shown and described.

DESCRIPTION

FIG. 1 is a top, front, and left side perspective view of the kitchen scale with removable display, with the removable display attached in a closed condition, showing my new design;

FIG. 2 is a top, front, and left side perspective exploded view thereof, with the removable display detached in a closed condition;

FIG. 3 is a back view thereof;

FIG. 4 is a front view thereof, with the removable display attached in a closed condition;

FIG. 5 is a top view thereof, with the removable display attached in a closed condition;

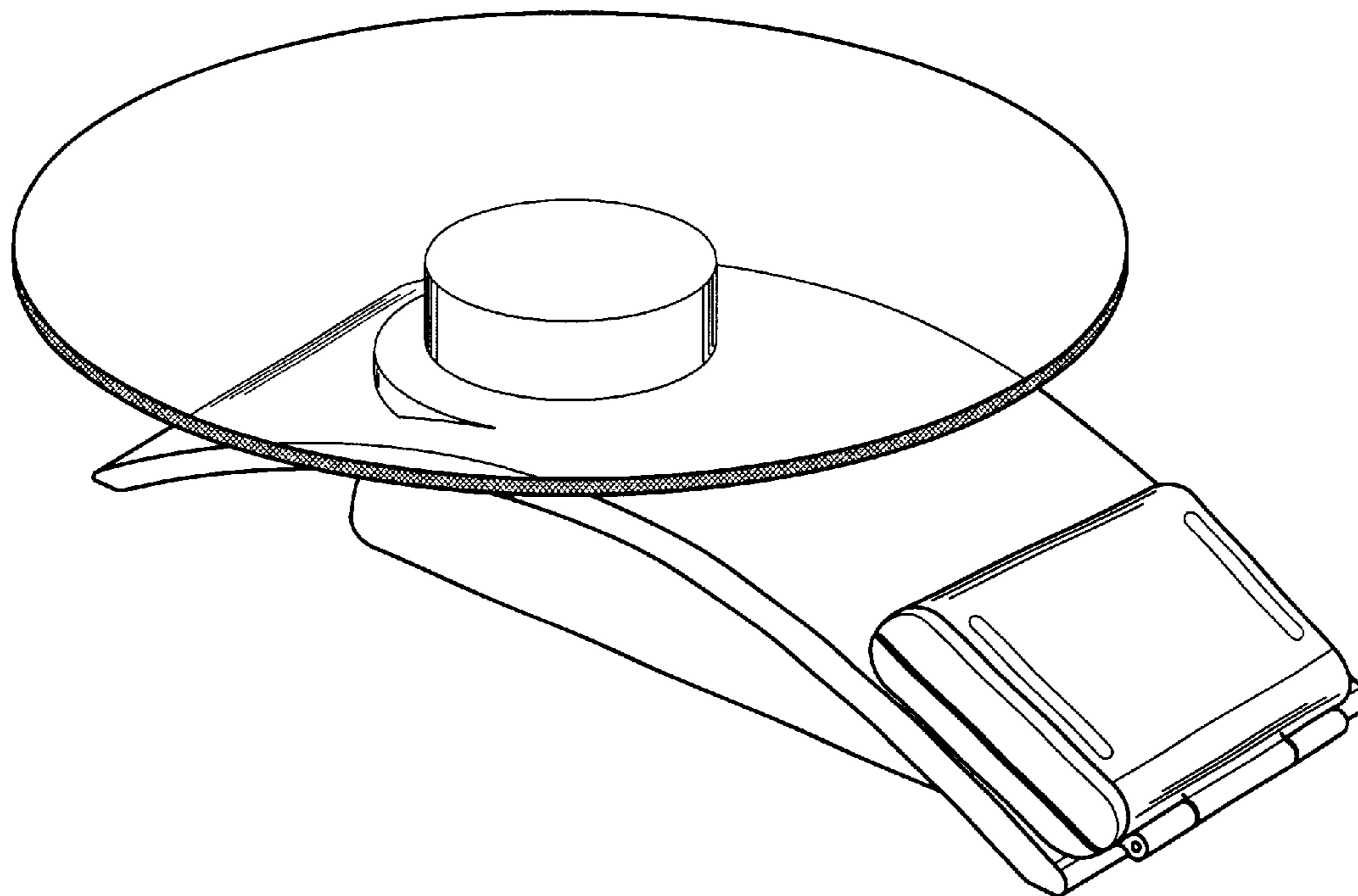
FIG. 6 is a left side view thereof, with the removable display attached in a closed condition, the right side view being the mirror image to the left side view;

FIG. 7 is a top, front, and left side perspective view thereof, with the removable display attached in an open condition;

FIG. 8 is a bottom view thereof, with the removable display attached in an open condition; and,

FIG. 9 is a top, front, and left side perspective detail view thereof, showing the removable display detached in an open condition.

1 Claim, 6 Drawing Sheets



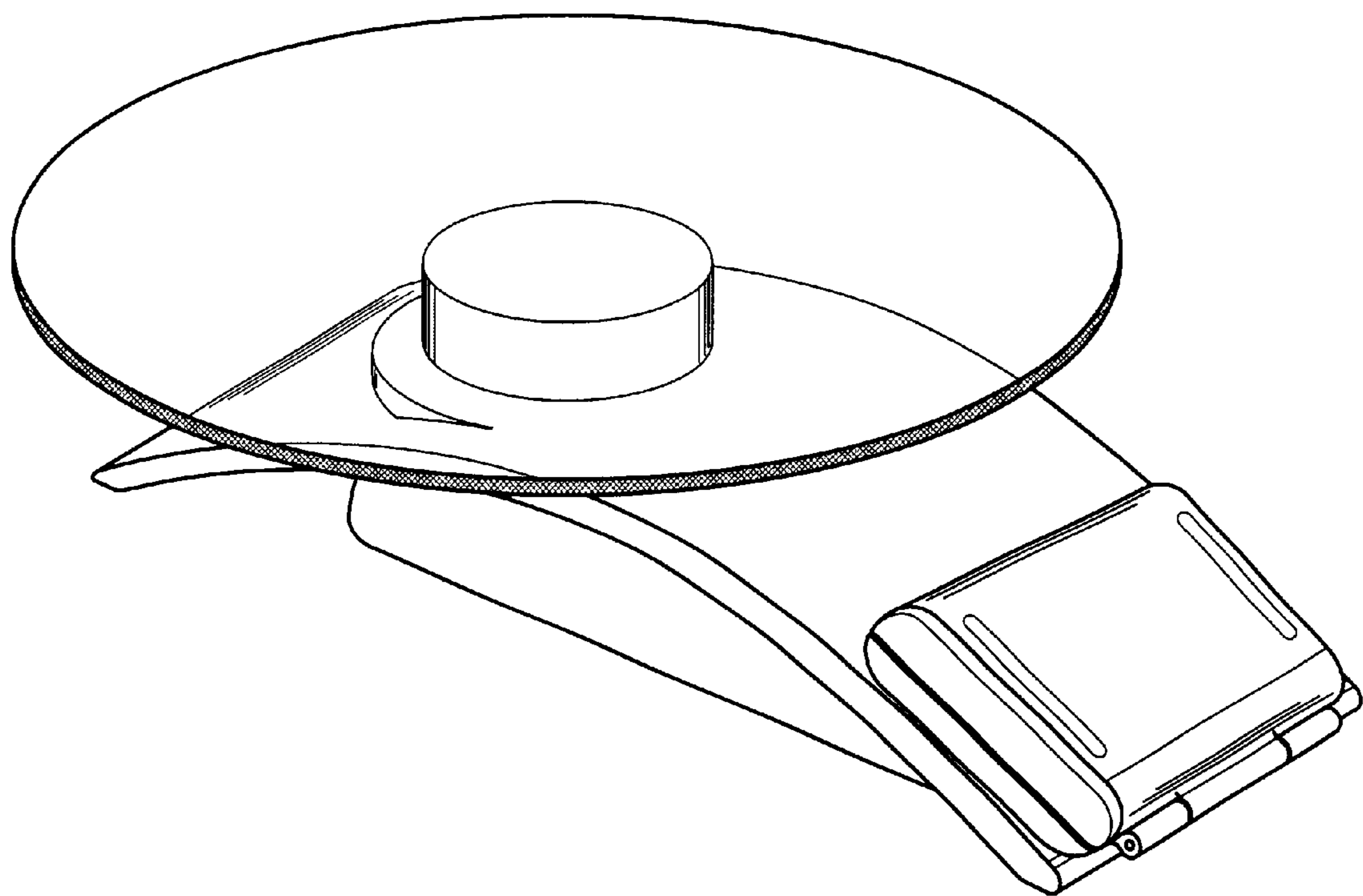


FIG. 1

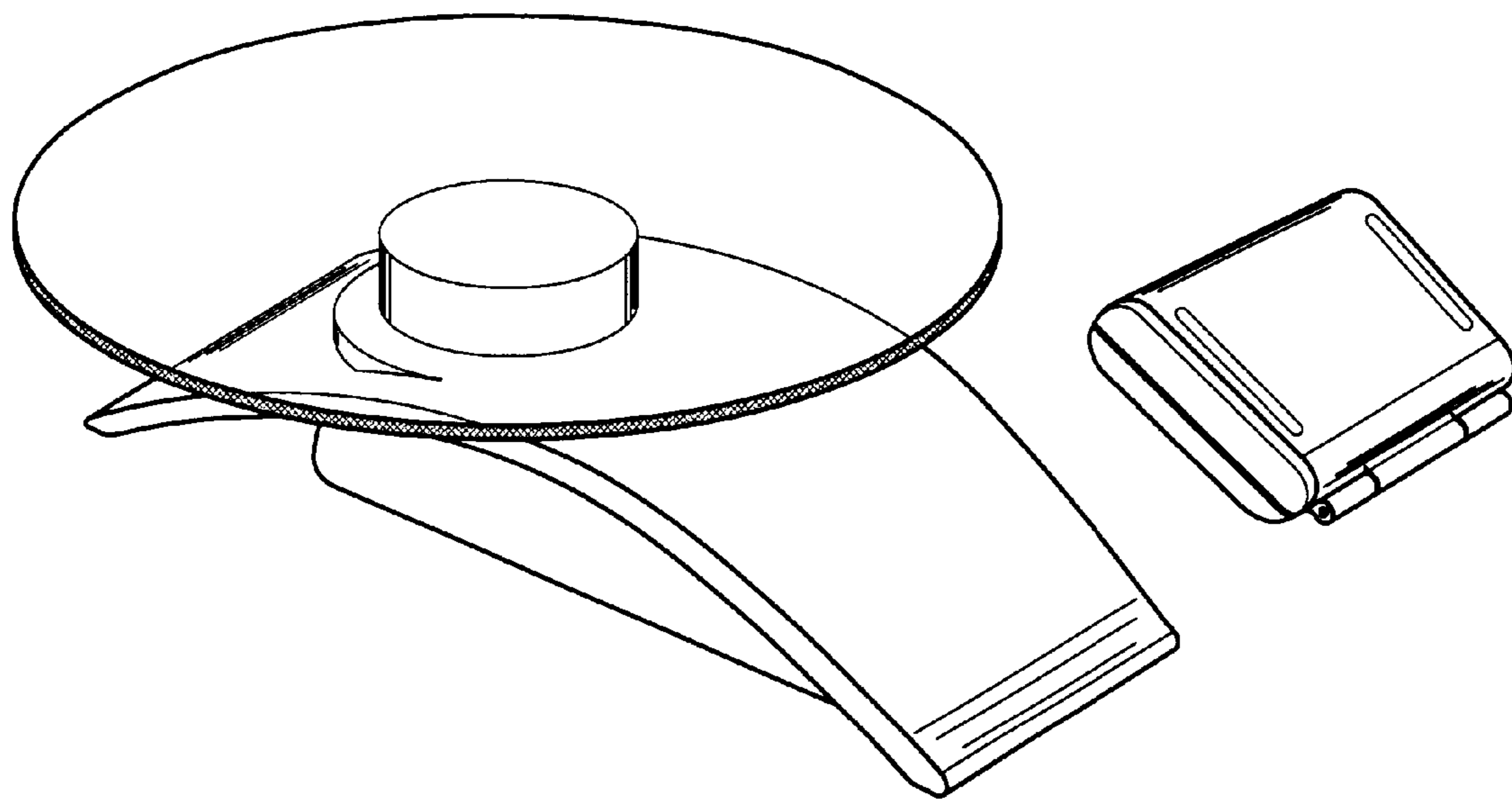


FIG. 2

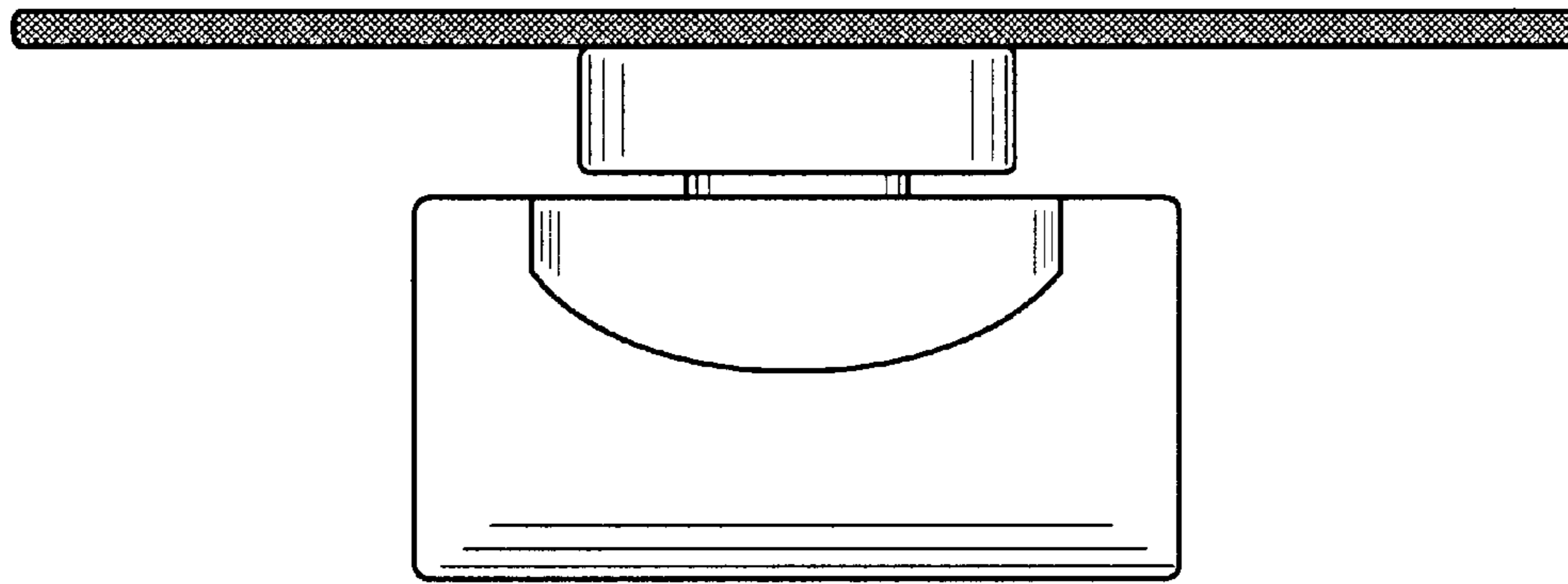


FIG. 3

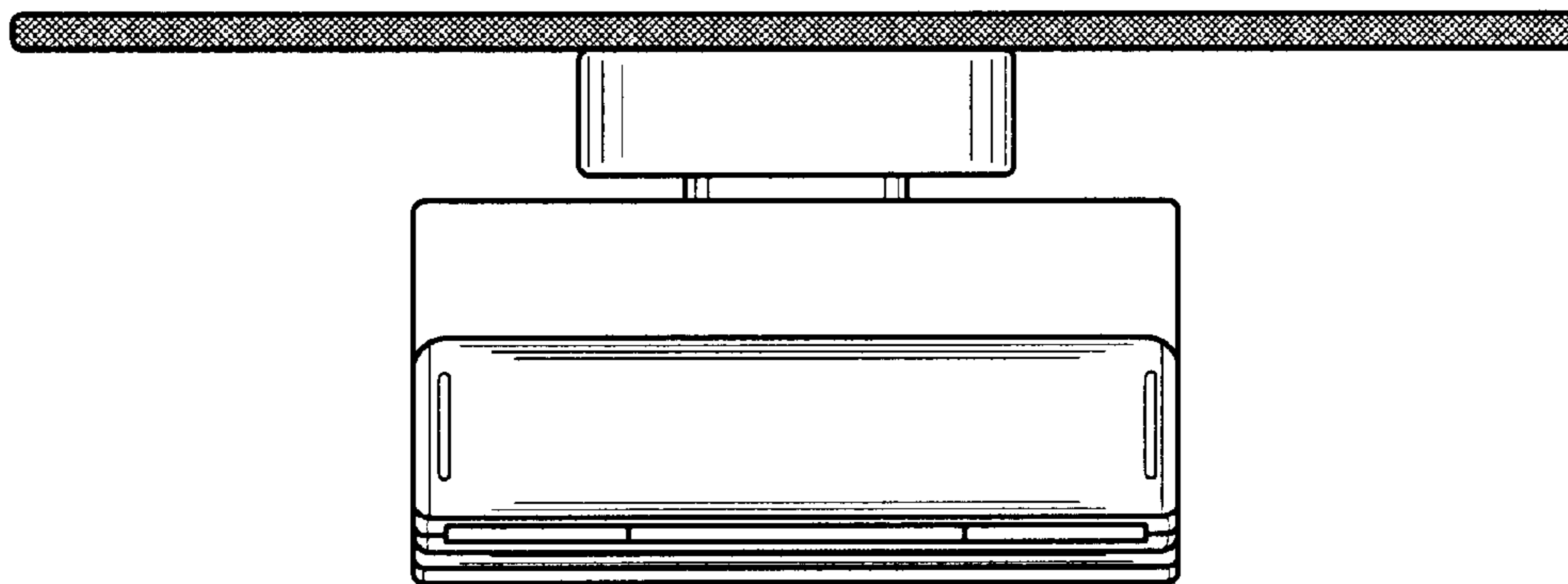


FIG. 4

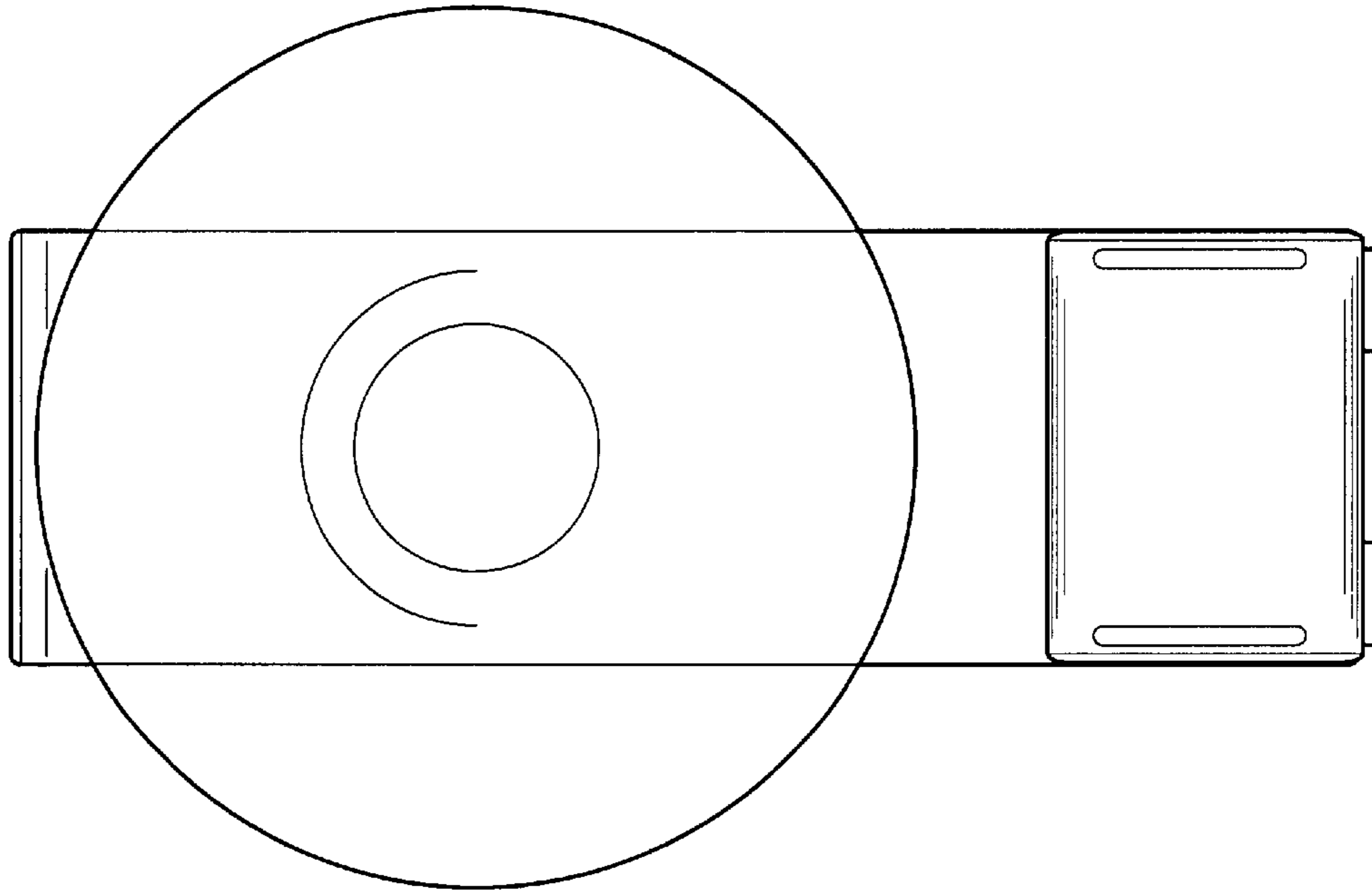


FIG. 5

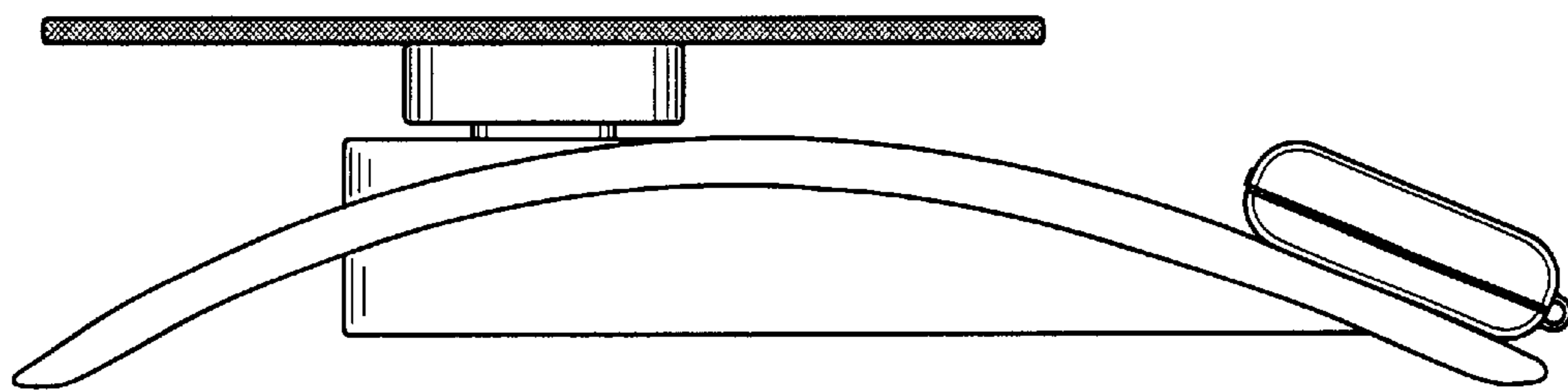


FIG. 6

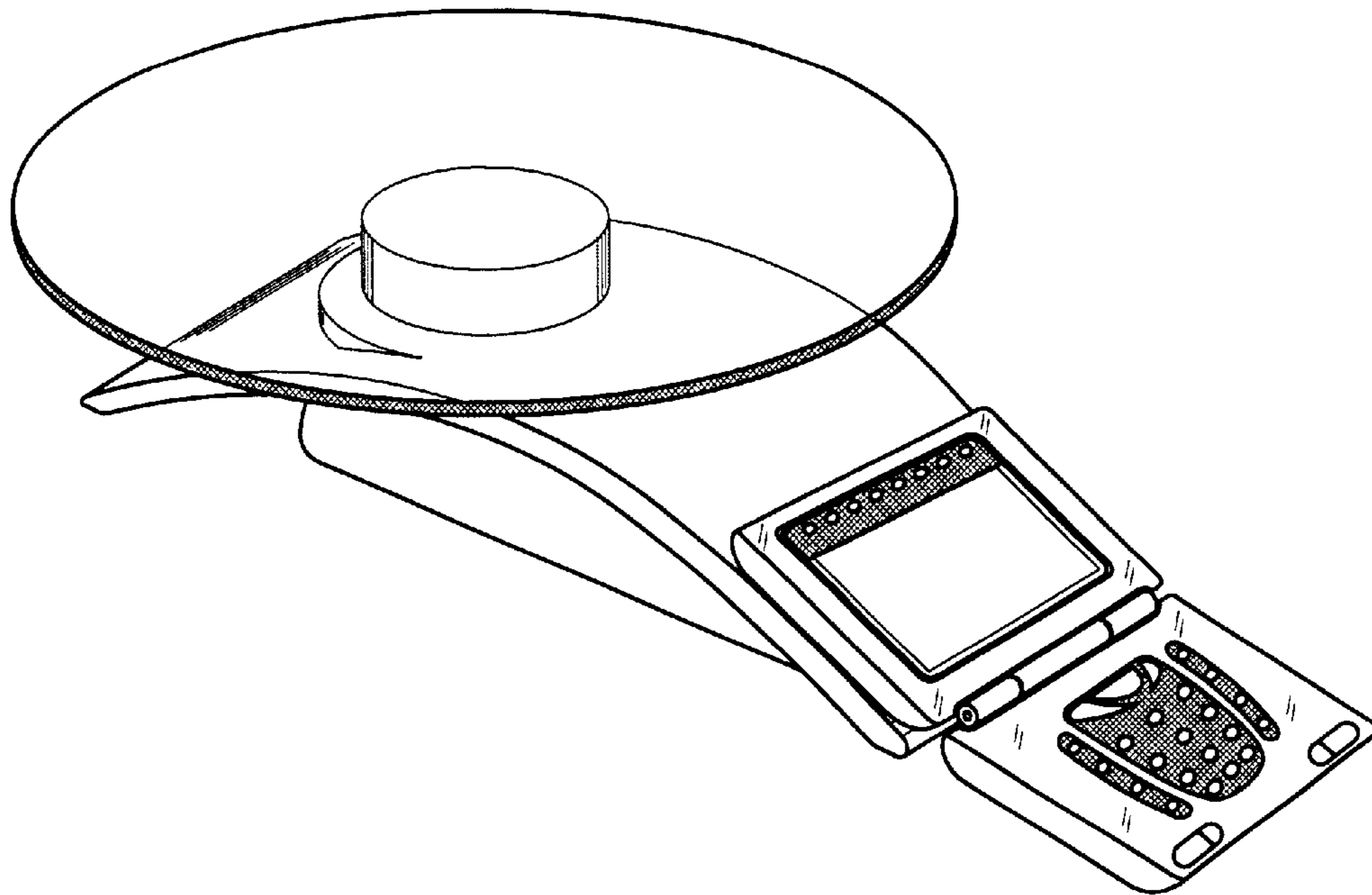


FIG. 7

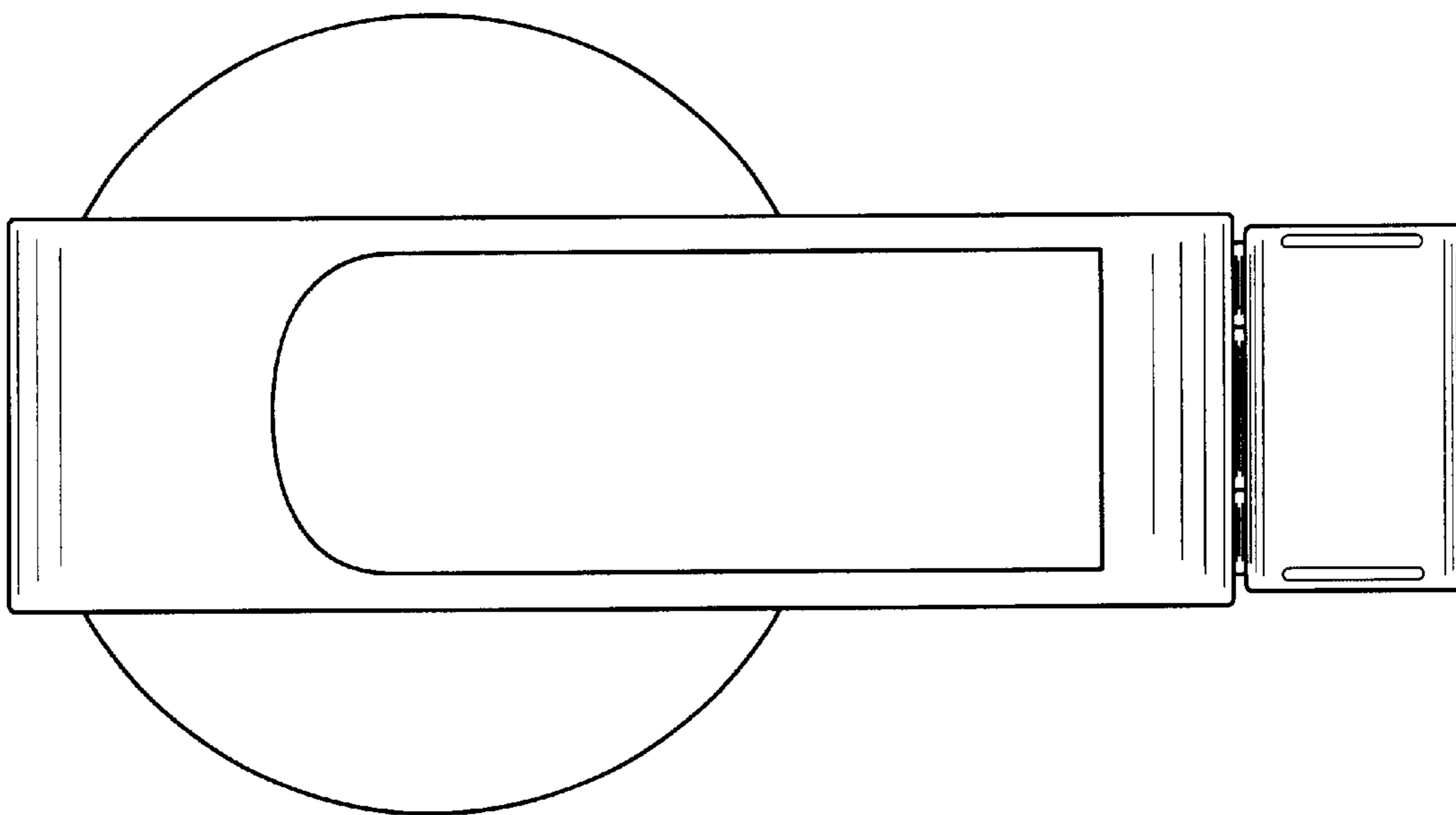


FIG. 8

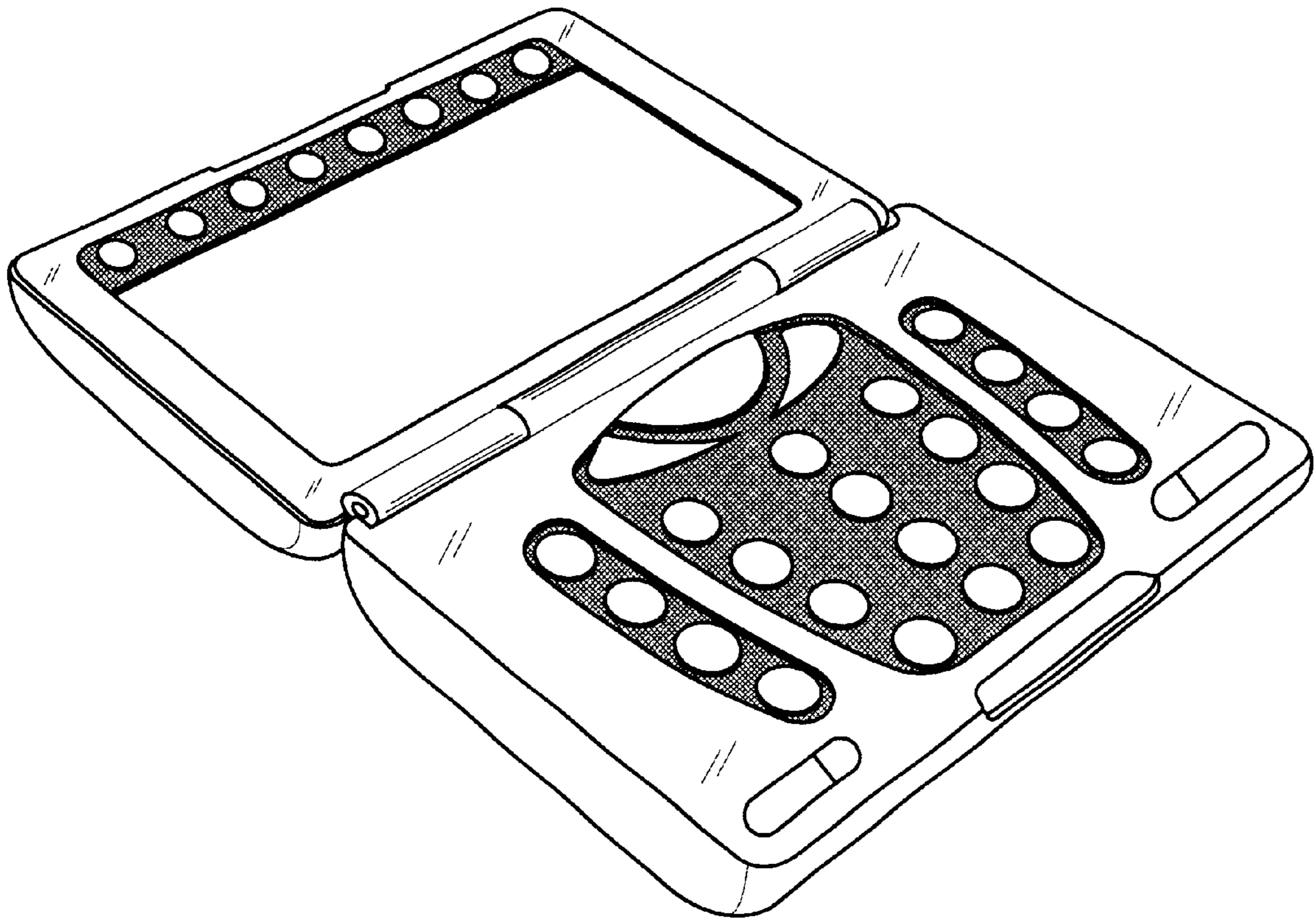


FIG. 9