

US00D525543S

(12) **United States Design Patent**
Kallabis

(10) **Patent No.:** **US D525,543 S**

(45) **Date of Patent:** **** Jul. 25, 2006**

(54) **SPIRIT LEVEL**

(75) **Inventor:** **Gabriel Kallabis, Spirkelbach (DE)**

(73) **Assignee:** **Stabila Messgerate Gusta Ullrich GmbH, Annweiler (DE)**

(**) **Term:** **14 Years**

(21) **Appl. No.:** **29/220,132**

(22) **Filed:** **Dec. 28, 2004**

(51) **LOC (8) Cl.** **10-04**

(52) **U.S. Cl.** **D10/69**

(58) **Field of Classification Search** D10/69,
D10/74; 33/365, 366.11-366.27, 367-391
See application file for complete search history.

(56) **References Cited**

U.S. PATENT DOCUMENTS

5,651,186 A * 7/1997 Lindner et al. 33/377
D388,719 S * 1/1998 Kohner D10/69

D459,251 S * 6/2002 Scheyer D10/69
6,418,634 B1 * 7/2002 Szumer 33/365
6,792,686 B1 * 9/2004 Krehel et al. 33/382

* cited by examiner

Primary Examiner—Antoine D. Davis

(74) *Attorney, Agent, or Firm*—Dennison, Schultz,
Dougherty & MacDonald

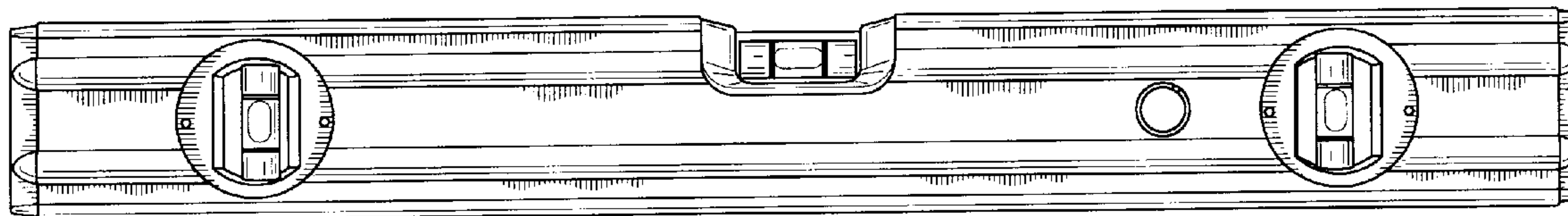
(57) **CLAIM**

The ornamental design for a spirit level, as shown and described.

DESCRIPTION

FIG. 1 is a front view;
FIG. 2 is a rear view;
FIG. 3 is a top side view;
FIG. 4 is a bottom view;
FIG. 5 is a first perspective view; and,
FIG. 6 is a second perspective view.

1 Claim, 2 Drawing Sheets



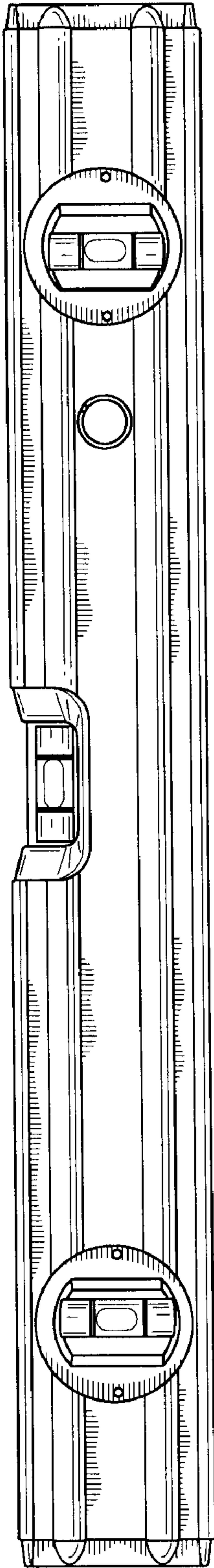


FIG. 1

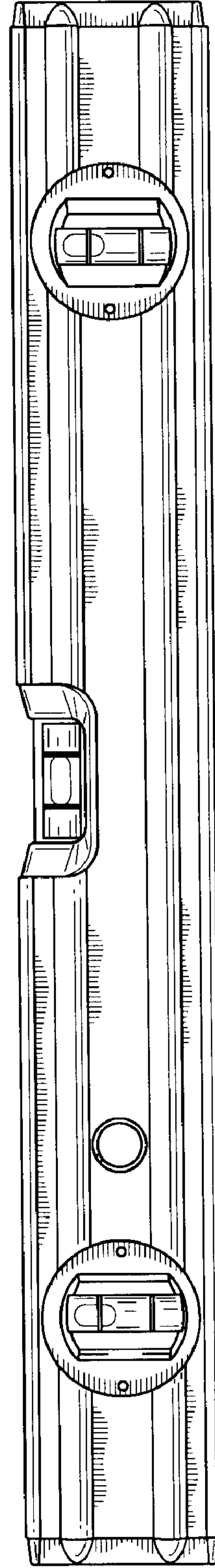


FIG. 2

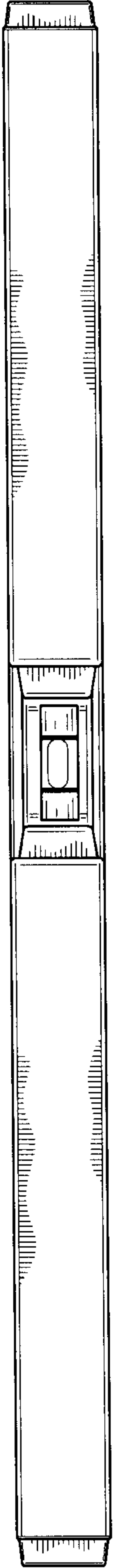


FIG. 3

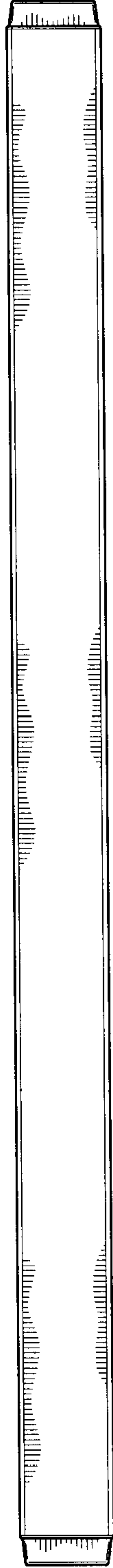


FIG. 4



FIG. 6

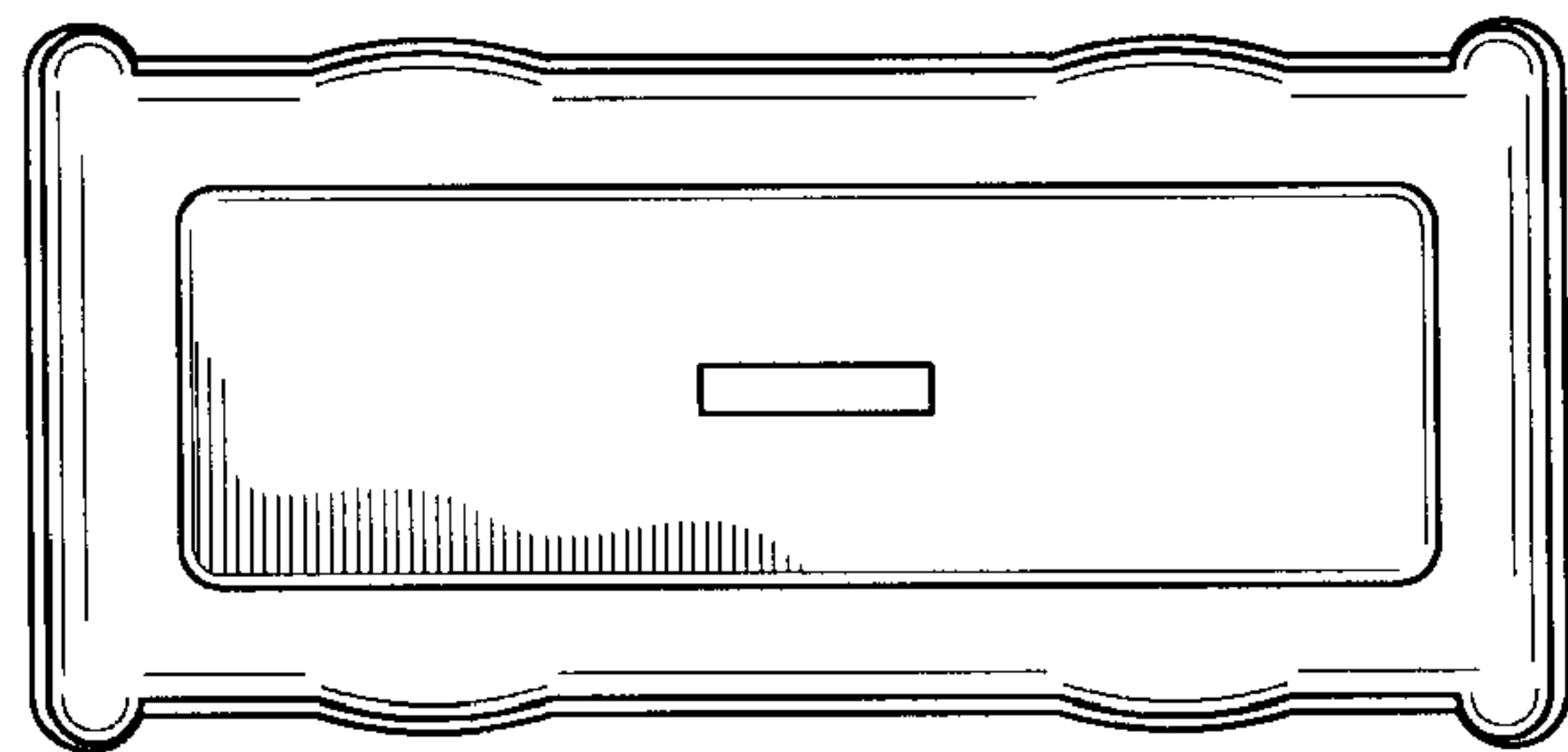


FIG. 5