



US00D525540S

(12) **United States Design Patent**  
**Stekelenburg**

(10) **Patent No.:** **US D525,540 S**

(45) **Date of Patent:** **\*\* Jul. 25, 2006**

(54) **TIMER**

(76) **Inventor:** **Albert Stekelenburg**, 9<sup>th</sup> Fl., 102  
Kuang-Fu S. Rd., Taipei (TW)

(\*\*) **Term:** **14 Years**

(21) **Appl. No.:** **29/241,238**

(22) **Filed:** **Oct. 26, 2005**

(51) **LOC (8) Cl.** ..... **10-03**

(52) **U.S. Cl.** ..... **D10/40**

(58) **Field of Classification Search** ..... D10/40;  
D13/137.1, 137.3-4, 138.1, 139.6-8; 307/141,  
307/141.4; 368/10, 316-7, 107-121, 276-8,  
368/285; 200/38 R, 38 D, 38 DA, 38 F;  
439/650-653

See application file for complete search history.

(56) **References Cited**

**U.S. PATENT DOCUMENTS**

- D216,017 S \* 11/1969 Podall ..... D10/40
- 3,775,727 A \* 11/1973 Wise ..... 439/105
- 3,889,132 A \* 6/1975 Vreeland ..... 307/141

- 3,925,629 A \* 12/1975 Albinger, Jr. .... 200/38 R
- 4,297,546 A \* 10/1981 Koch ..... 200/38 R
- 4,500,160 A \* 2/1985 Bertsch ..... 439/56
- D325,370 S \* 4/1992 Belcher ..... D13/137.3
- D338,873 S \* 8/1993 Sue ..... D13/158
- D405,376 S \* 2/1999 Stekelenburg ..... D10/40
- D449,541 S \* 10/2001 Stekelenburg ..... D10/40

\* cited by examiner

*Primary Examiner*—Lucy Lieberman

(74) *Attorney, Agent, or Firm*—Troxell Law Office, PLLC

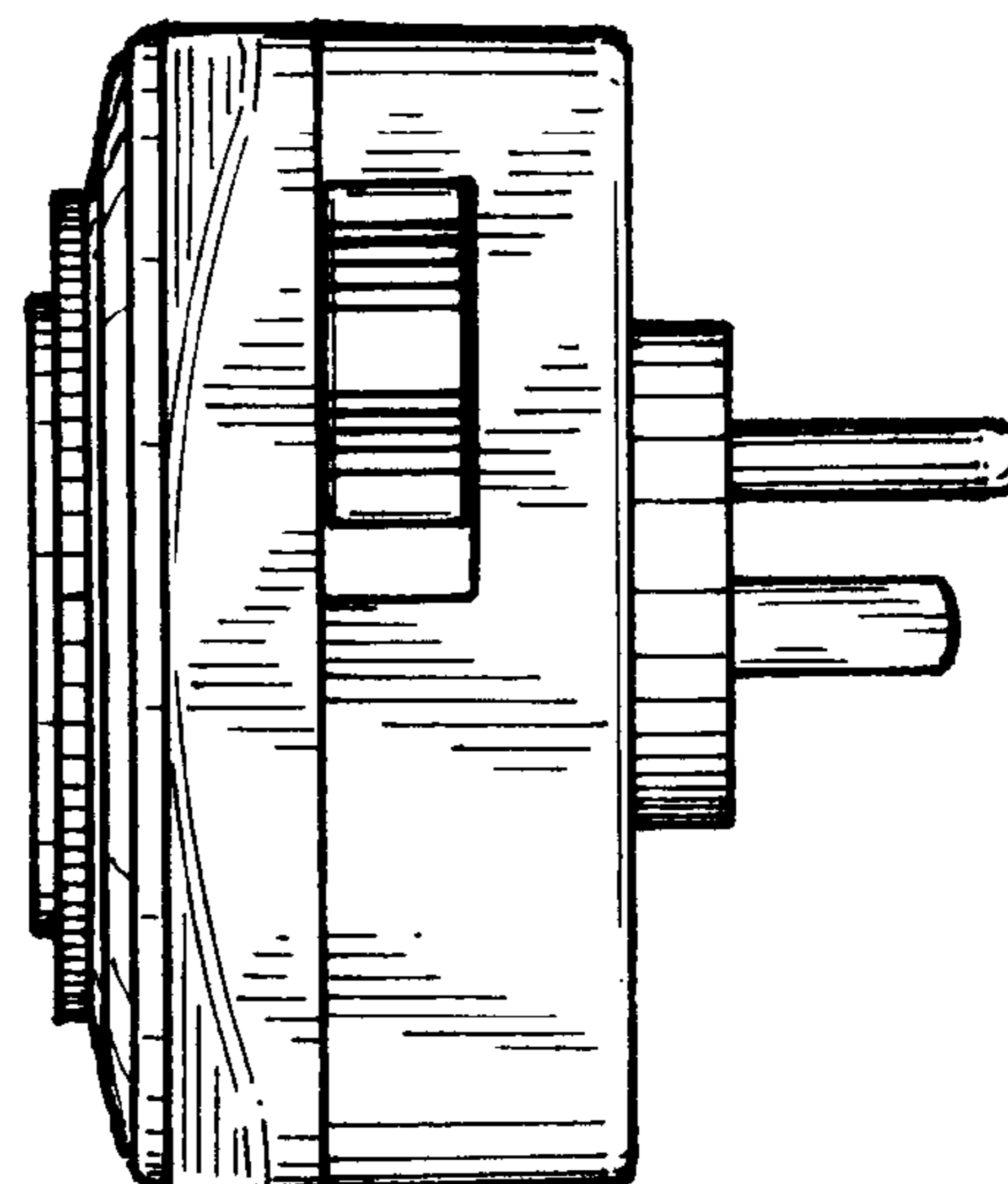
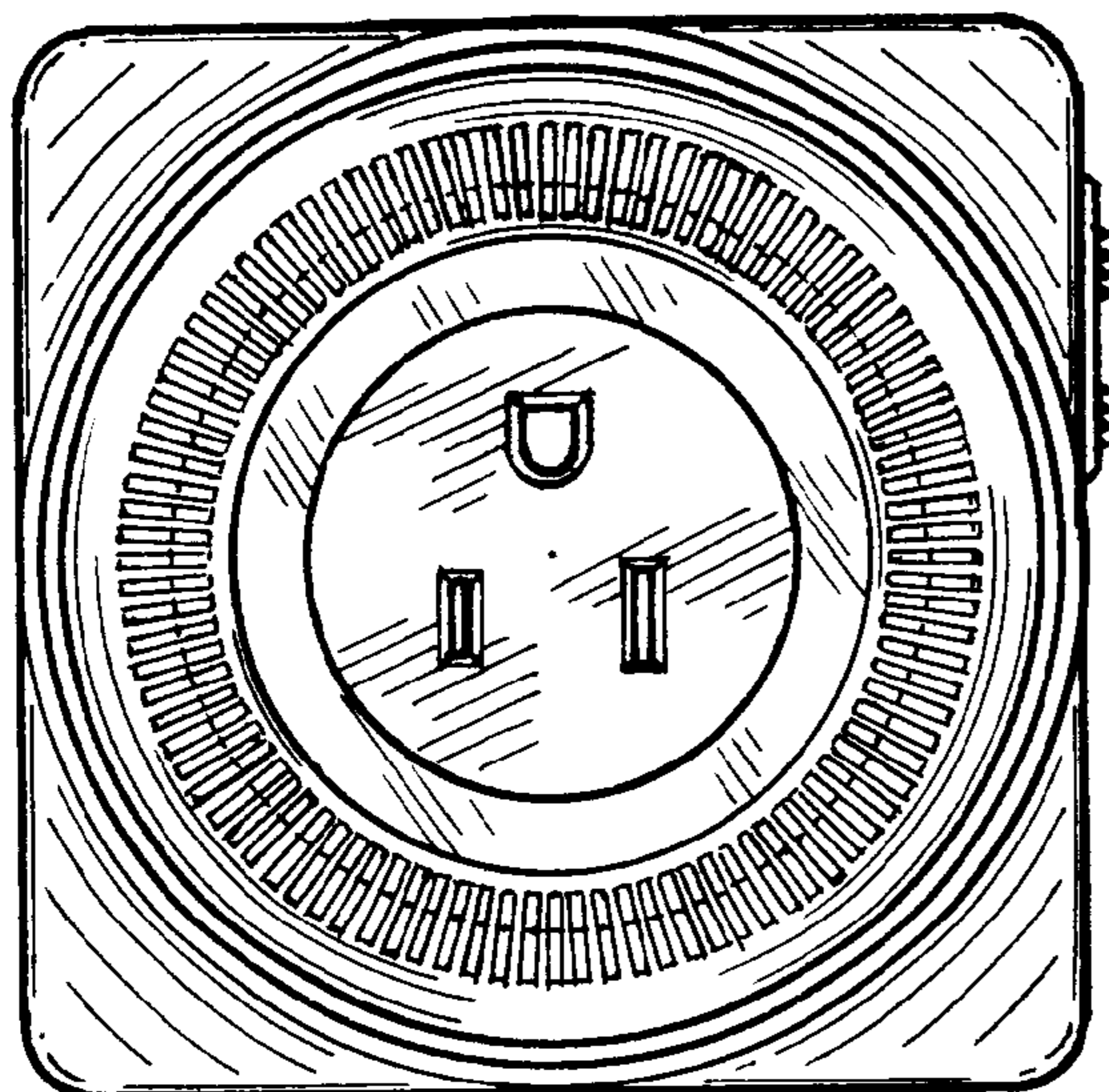
(57) **CLAIM**

The ornamental design for a timer, as shown and described.

**DESCRIPTION**

FIG. 1 is a top view of a timer showing my new design;  
 FIG. 2 is a front view thereof;  
 FIG. 3 is a right side elevational view thereof;  
 FIG. 4 is a bottom view thereof;  
 FIG. 5 is a left side view thereof; and,  
 FIG. 6 is a rear view thereof.

**1 Claim, 2 Drawing Sheets**



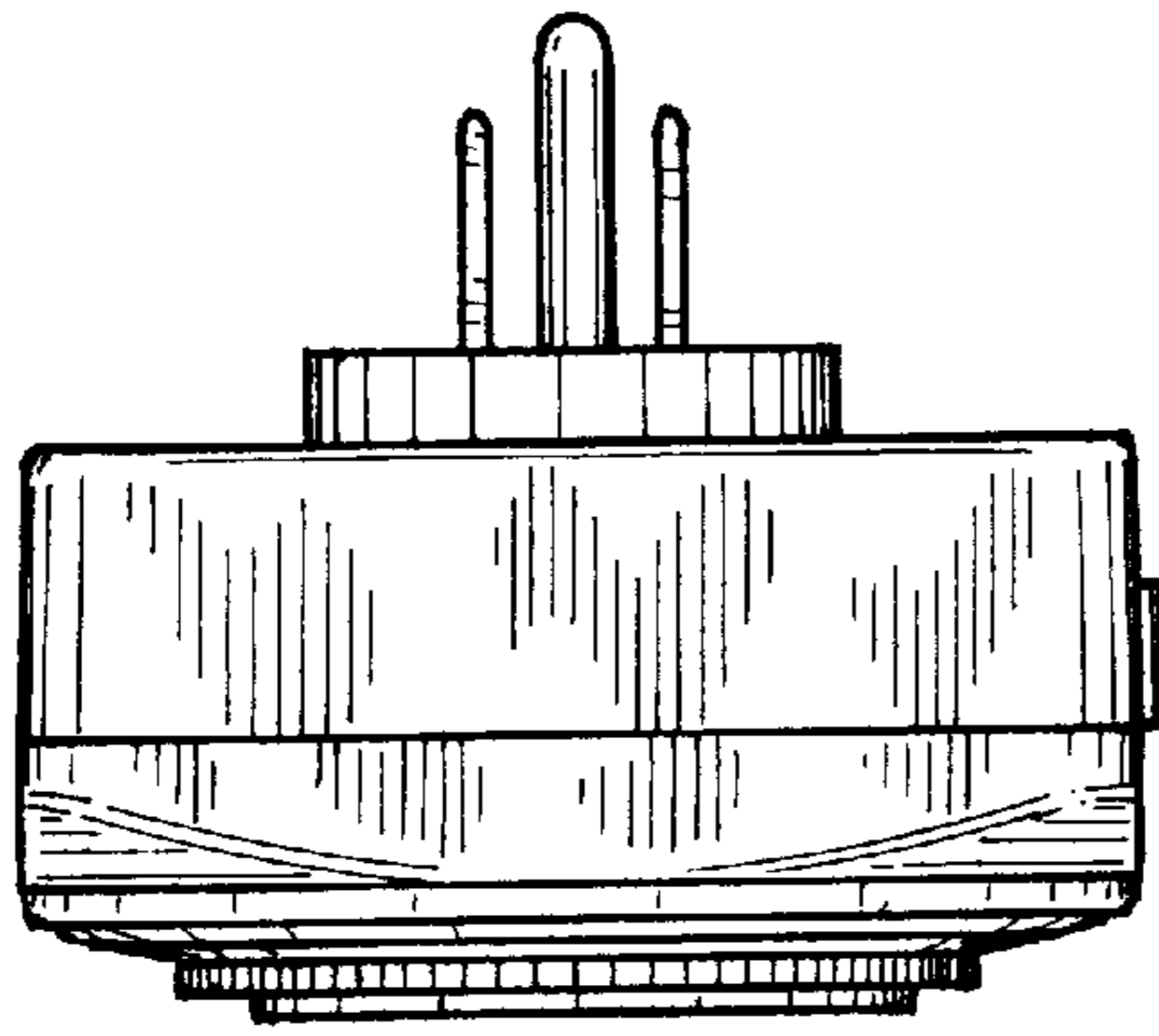


FIG. 1

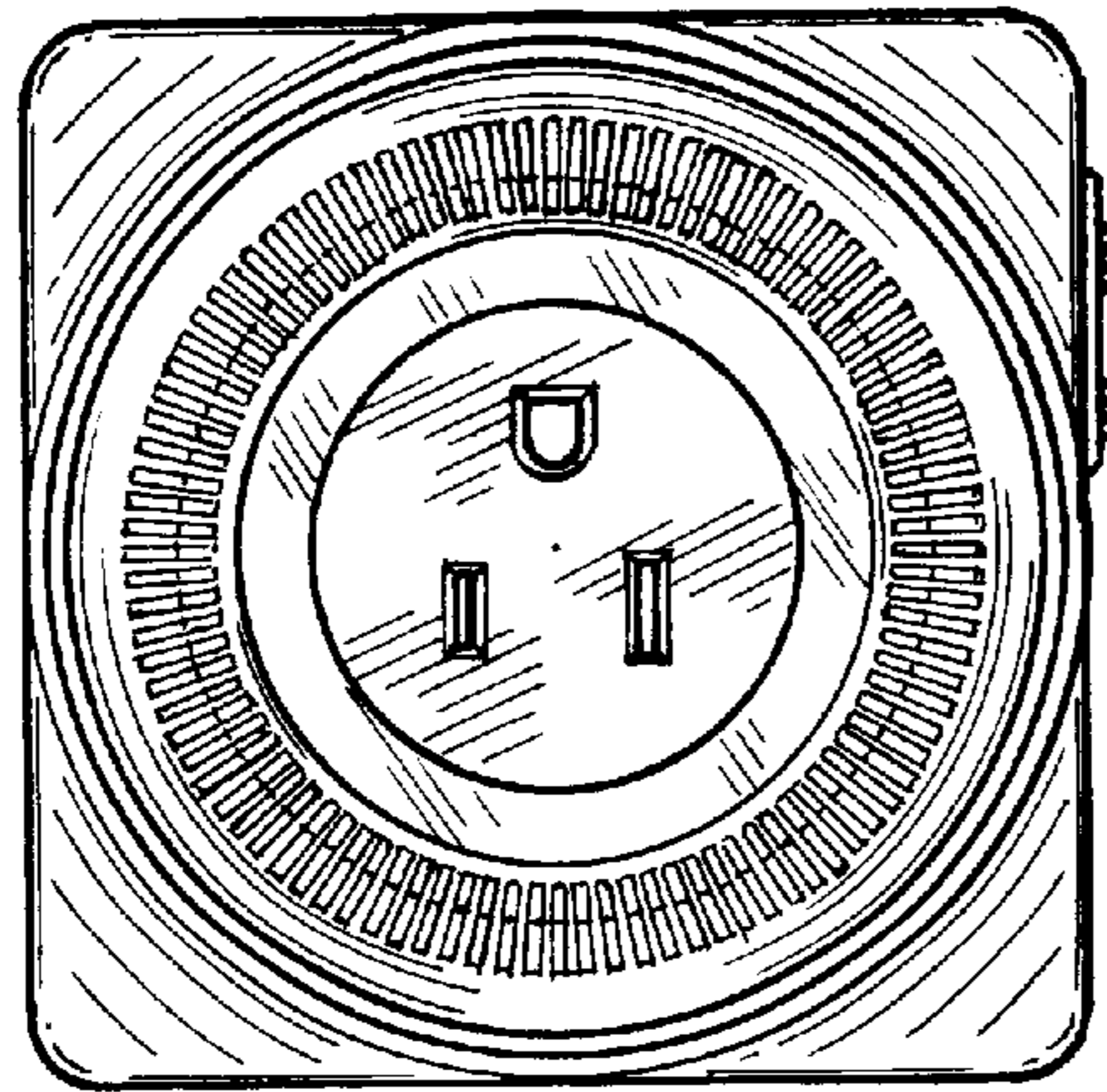


FIG. 2

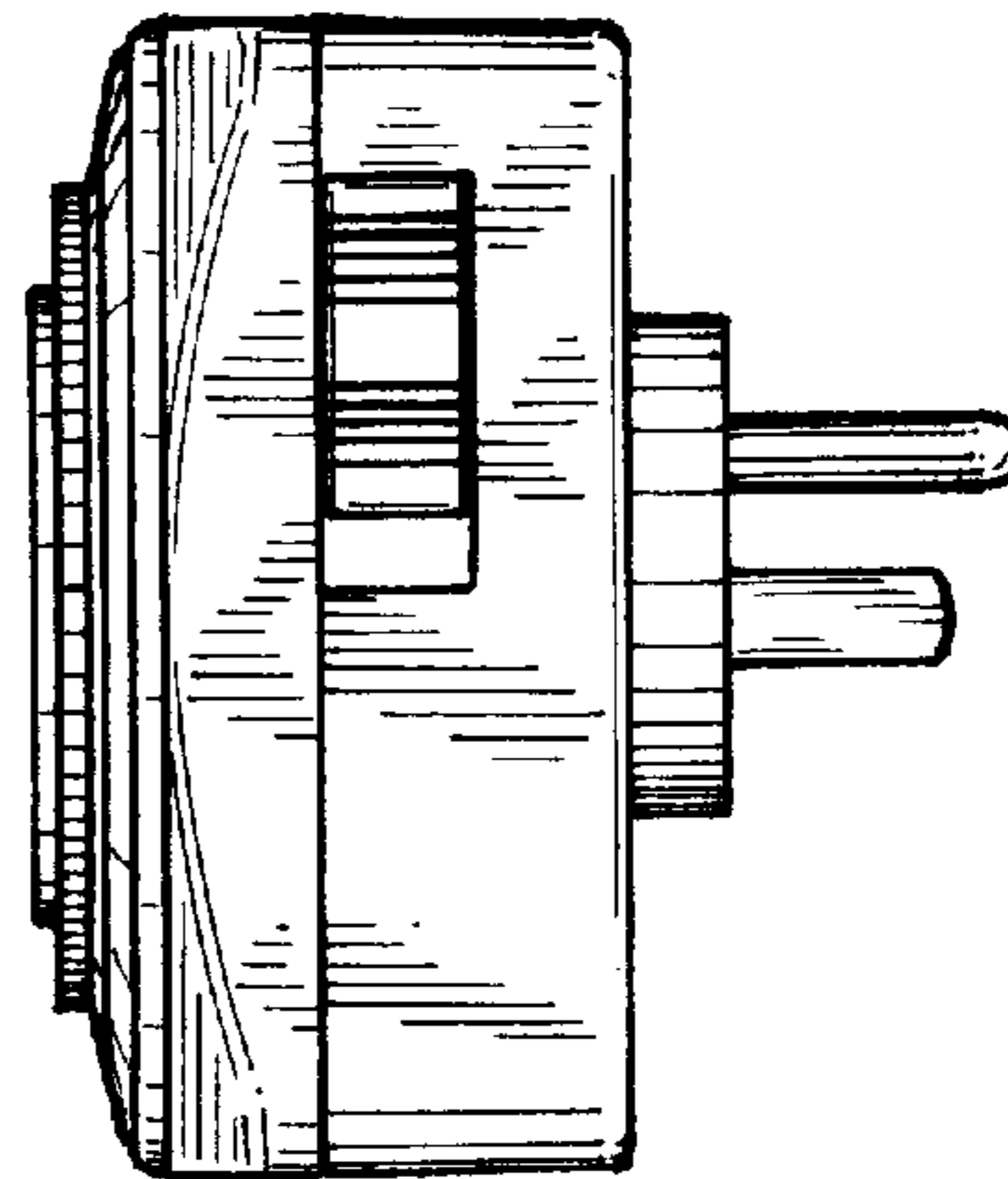


FIG. 3

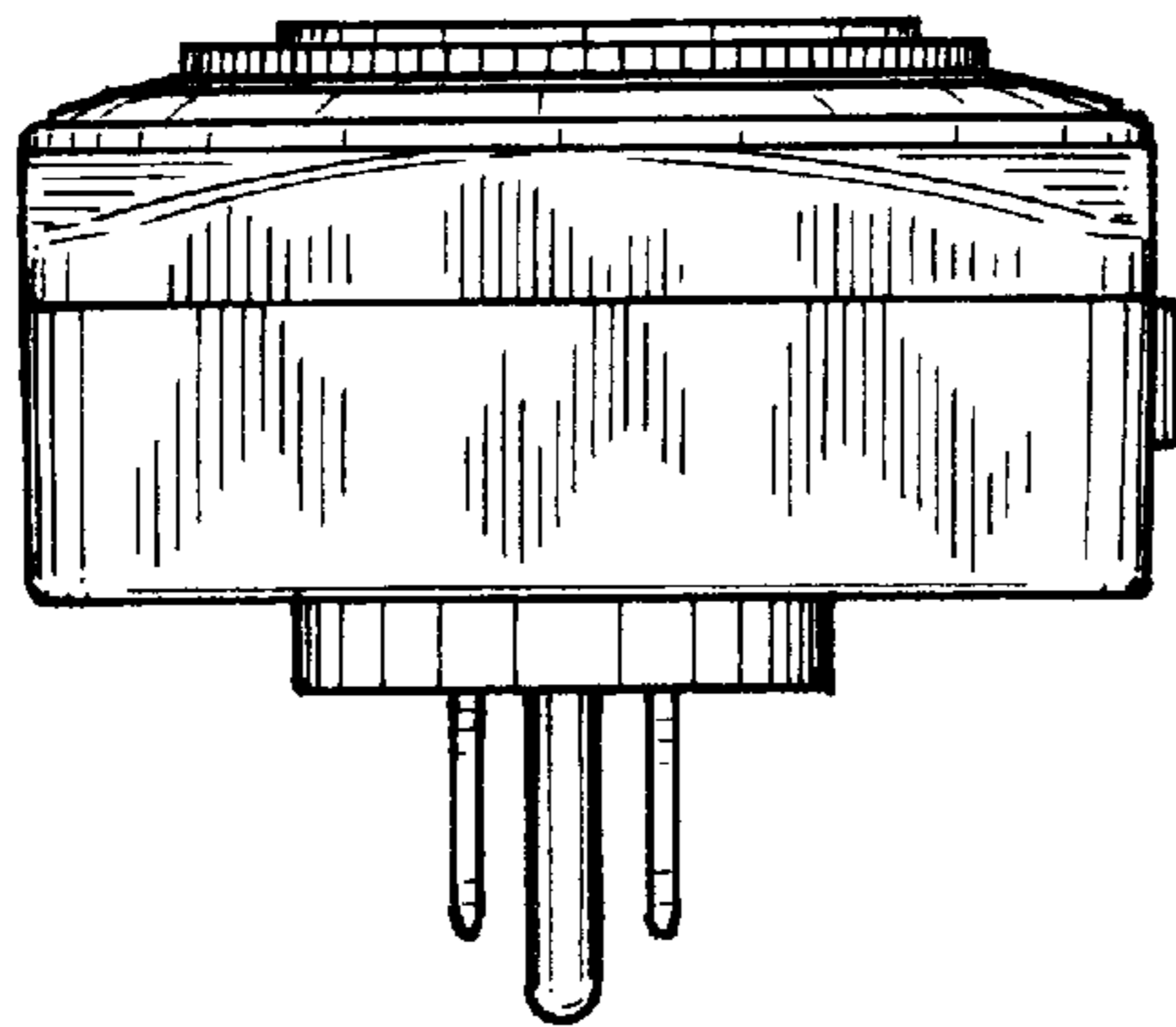


FIG. 4

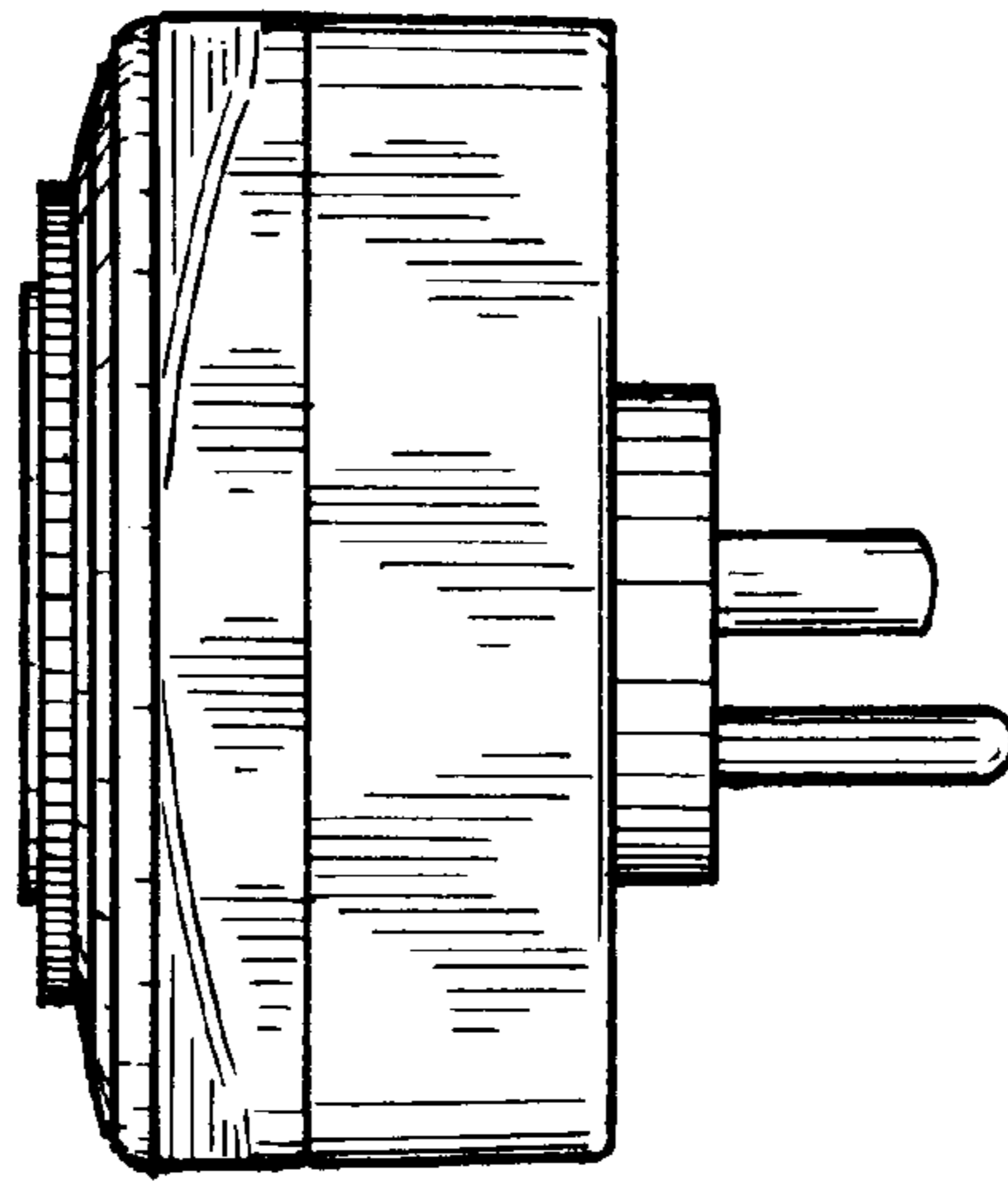


FIG. 5

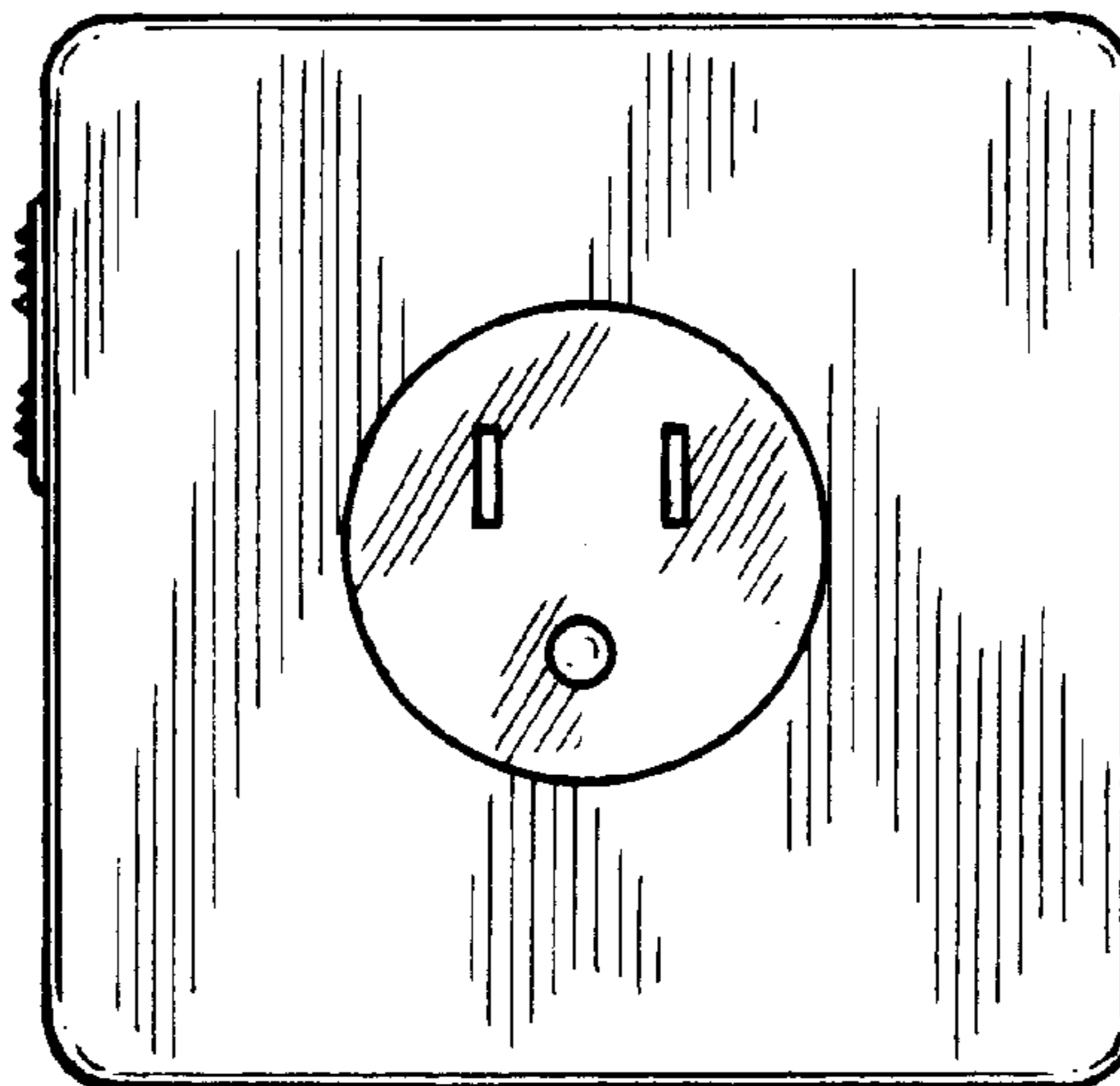


FIG. 6