

US00D525538S

(12) **United States Design Patent**
Oas

(10) **Patent No.:** **US D525,538 S**

(45) **Date of Patent:** **** Jul. 25, 2006**

(54) **PILL BOTTLE TIMER**

6,317,390 B1 * 11/2001 Cardoza 368/10
D455,356 S * 4/2002 Saffer D10/32

(75) Inventor: **Daniel Oas**, Irwindale, CA (US)

* cited by examiner

(73) Assignee: **Calibre International, LLC**, Irwindale, CA (US)

Primary Examiner—Lucy Lieberman

(74) *Attorney, Agent, or Firm*—The Soni Law Firm

(**) Term: **14 Years**

(57) **CLAIM**

(21) Appl. No.: **29/225,175**

The ornamental design for a pill bottle timer, as shown and described.

(22) Filed: **Mar. 11, 2005**

DESCRIPTION

(51) **LOC (8) Cl.** **10-03**

(52) **U.S. Cl.** **D10/40; D10/32; D10/38**

(58) **Field of Classification Search** D10/40,
D10/41, 31, 32, 38, 2; D9/719; D3/203.2;
368/97-100, 107-123, 10, 316, 250, 285,
368/276-278, 28-30, 82-84, 226, 227, 239-243,
368/244, 246, 281-2

See application file for complete search history.

FIG. 1 is a top front perspective view of a pill bottle timer;
FIG. 2 is a front view of the pill bottle timer of FIG. 1;
FIG. 3 is a left side elevation view of the pill bottle timer of
FIG. 1;

FIG. 4 is a right side elevation view of the pill bottle timer
of FIG. 1;

FIG. 5 is a top plan view of the pill bottle timer of FIG. 1;

FIG. 6 is a bottom plan view of the pill bottle timer of FIG.
1;

FIG. 7 is a rear view of the pill bottle timer of FIG. 1;

FIG. 8 is an alternate rear view of the pill bottle timer shown
without the unclaimed bottle; and,

FIG. 9 is a second alternate rear view of the pill bottle timer
shown without the unclaimed bottle and shown with a
portion of the strap broken away to fully disclose the rear of
the timer mechanism.

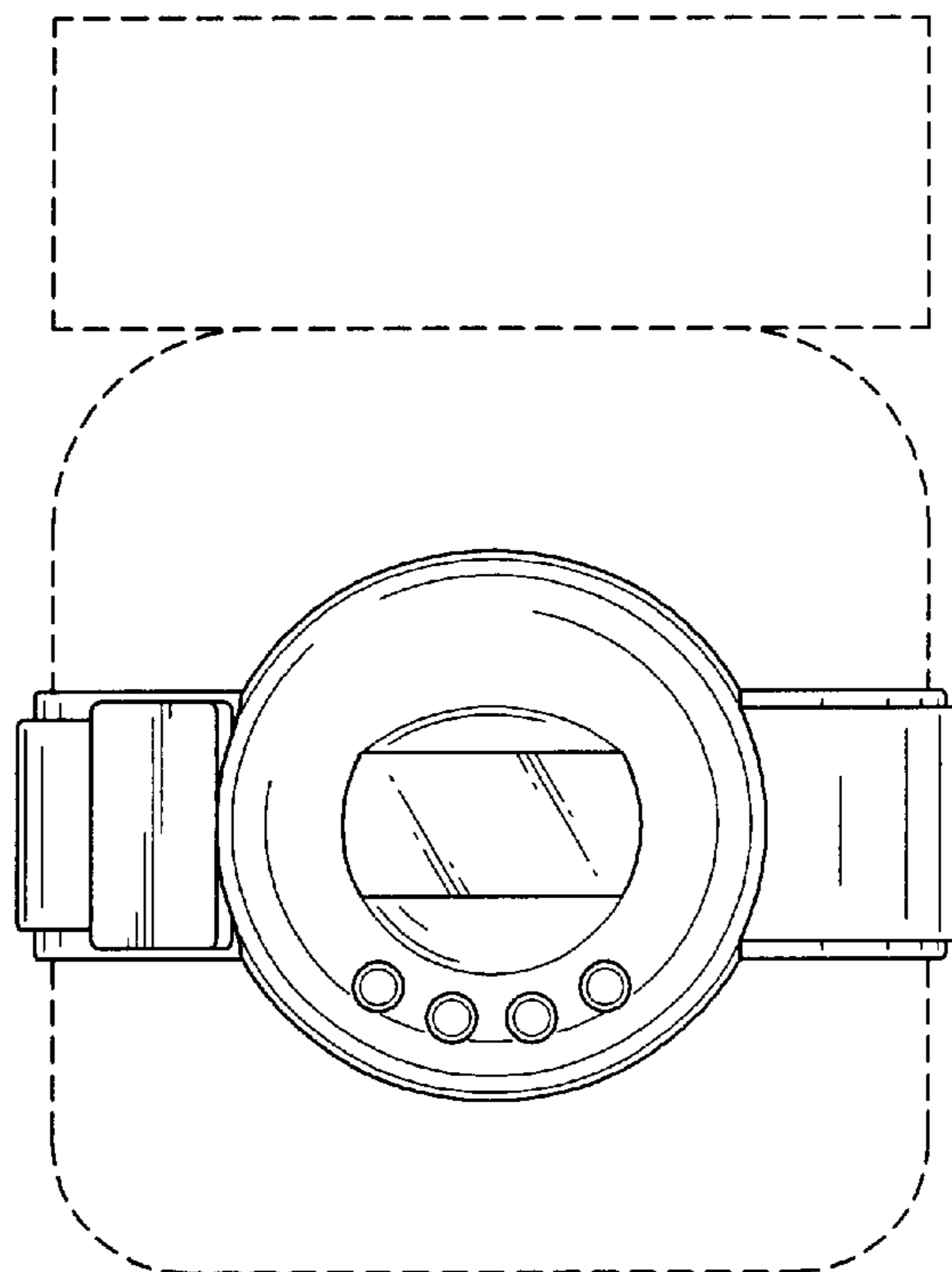
The broken lines showing a bottle and cap are for illustrative
purposes only and do not form part of the claimed design.

(56) **References Cited**

U.S. PATENT DOCUMENTS

D238,055 S	*	12/1975	Seshimo	D10/38
4,361,408 A	*	11/1982	Wirtschafter	368/10
4,419,016 A	*	12/1983	Zoltan	368/10
4,448,541 A	*	5/1984	Wirtschafter	368/10
5,005,161 A	*	4/1991	Boilen	368/295
D329,387 S	*	9/1992	Takahashi	D10/30
5,761,157 A	*	6/1998	Takeda et al.	368/10
D404,317 S	*	1/1999	Cameron	D10/30
5,926,144 A	*	7/1999	Bolanos et al.	343/718
D443,530 S	*	6/2001	Mann	D10/31

1 Claim, 4 Drawing Sheets



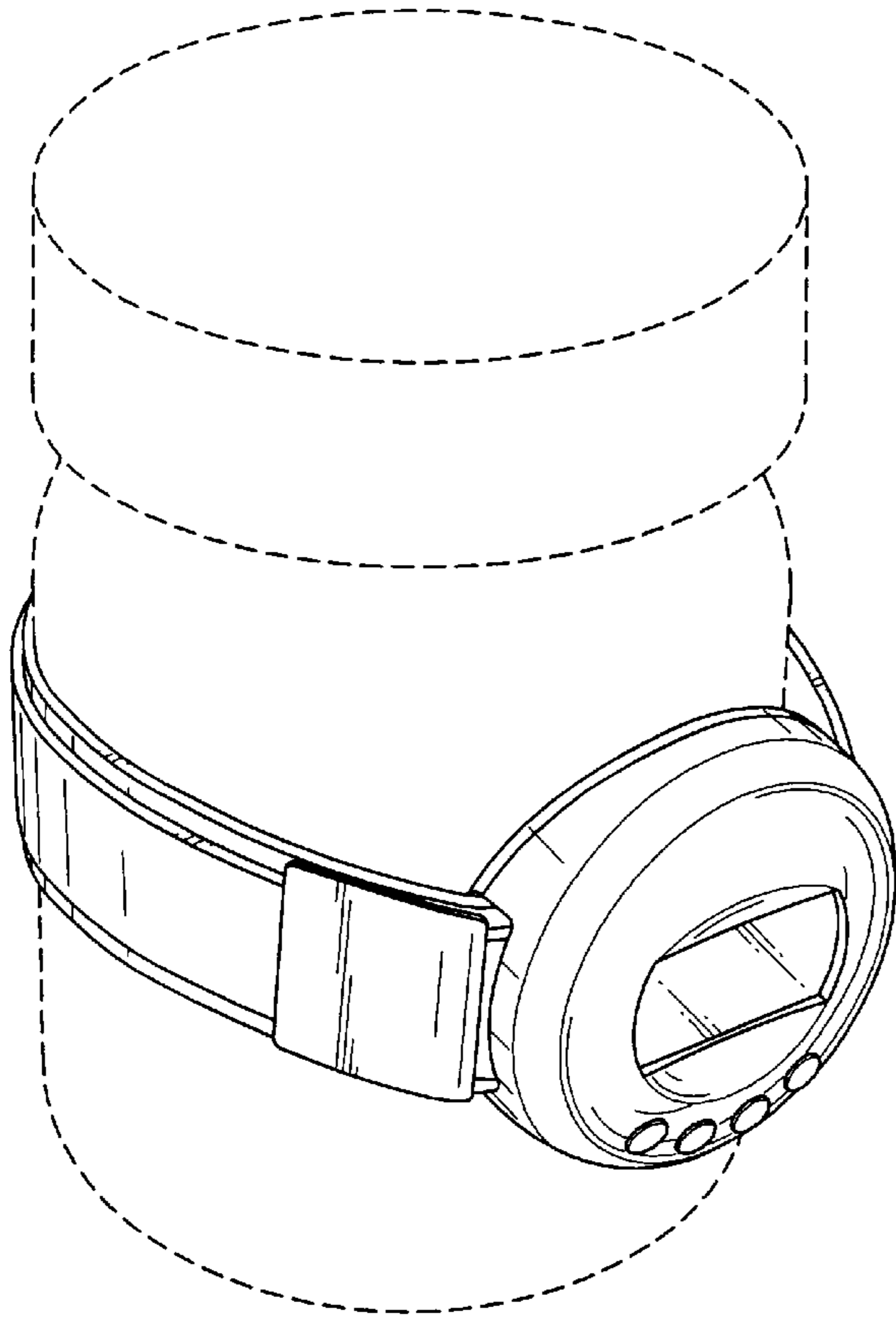


FIG. 1

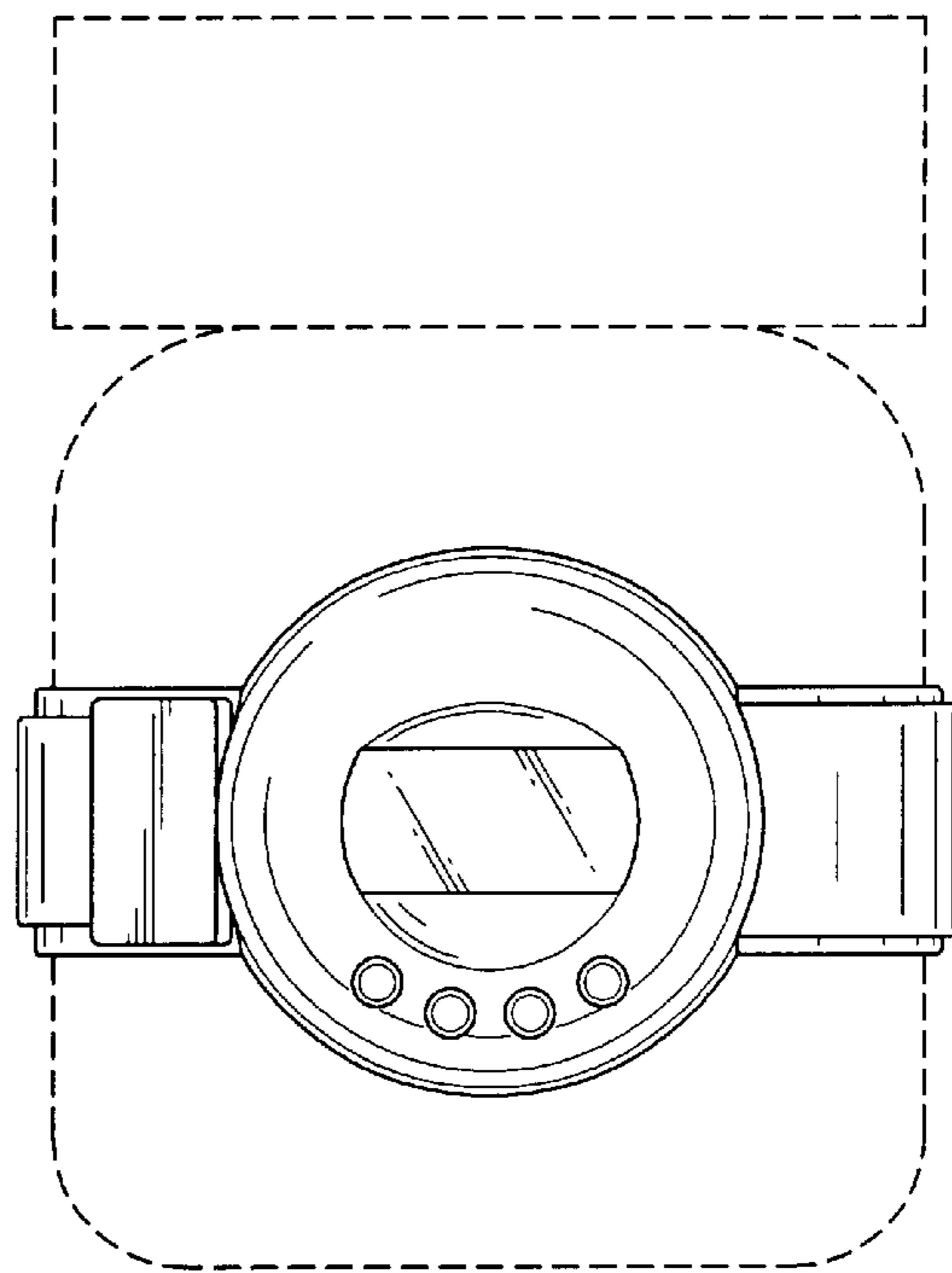


FIG. 2

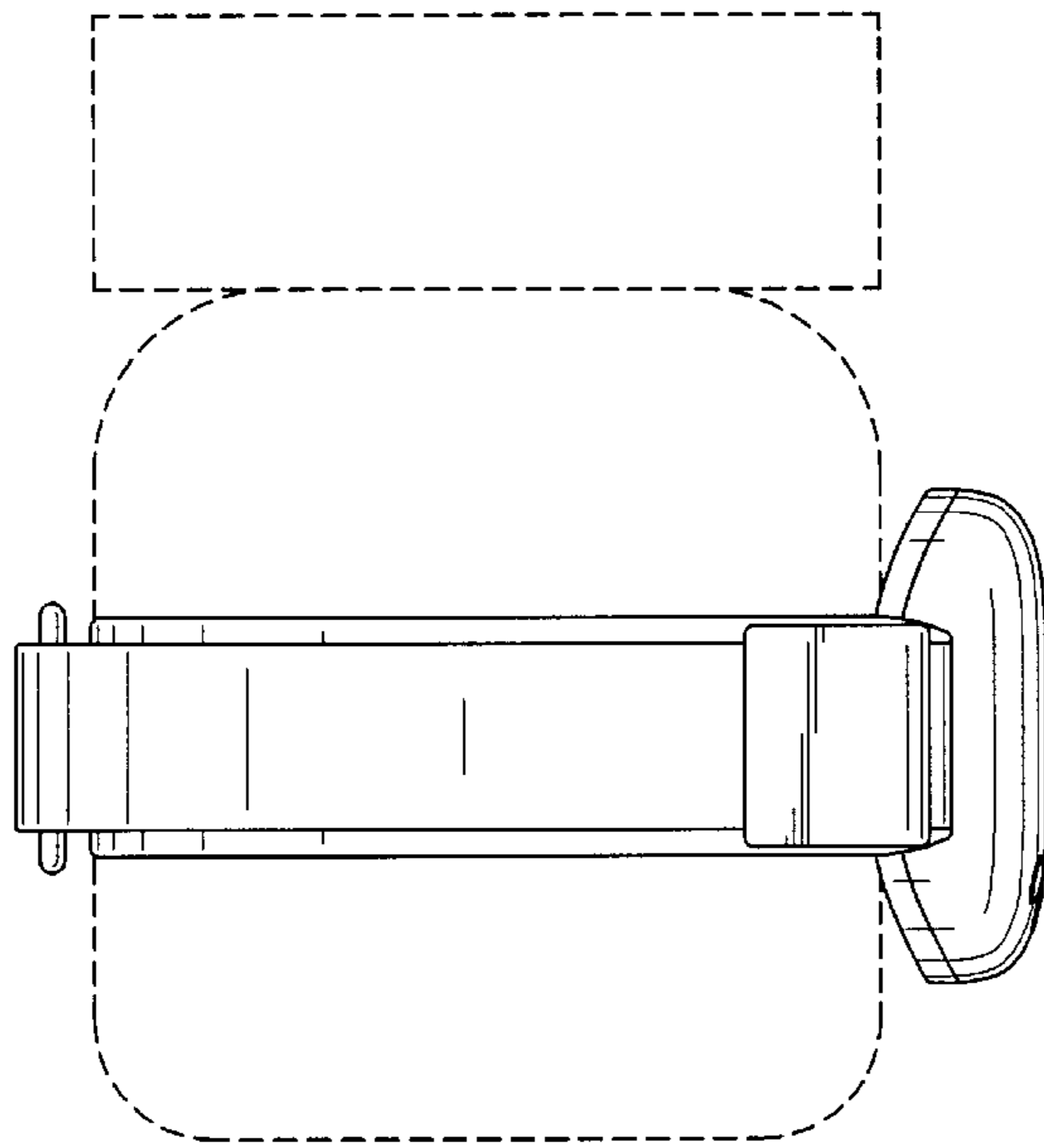


FIG. 3

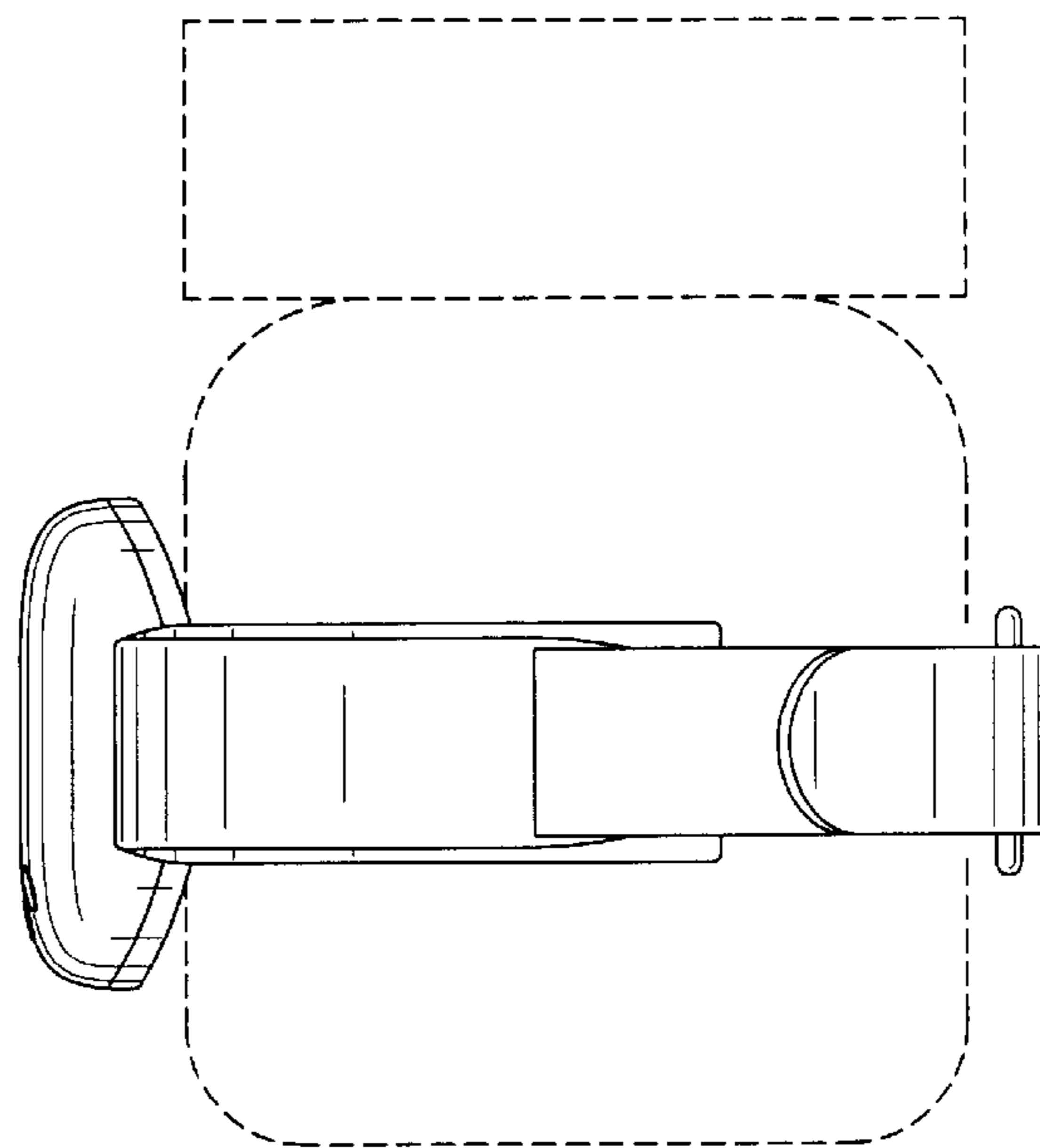


FIG. 4

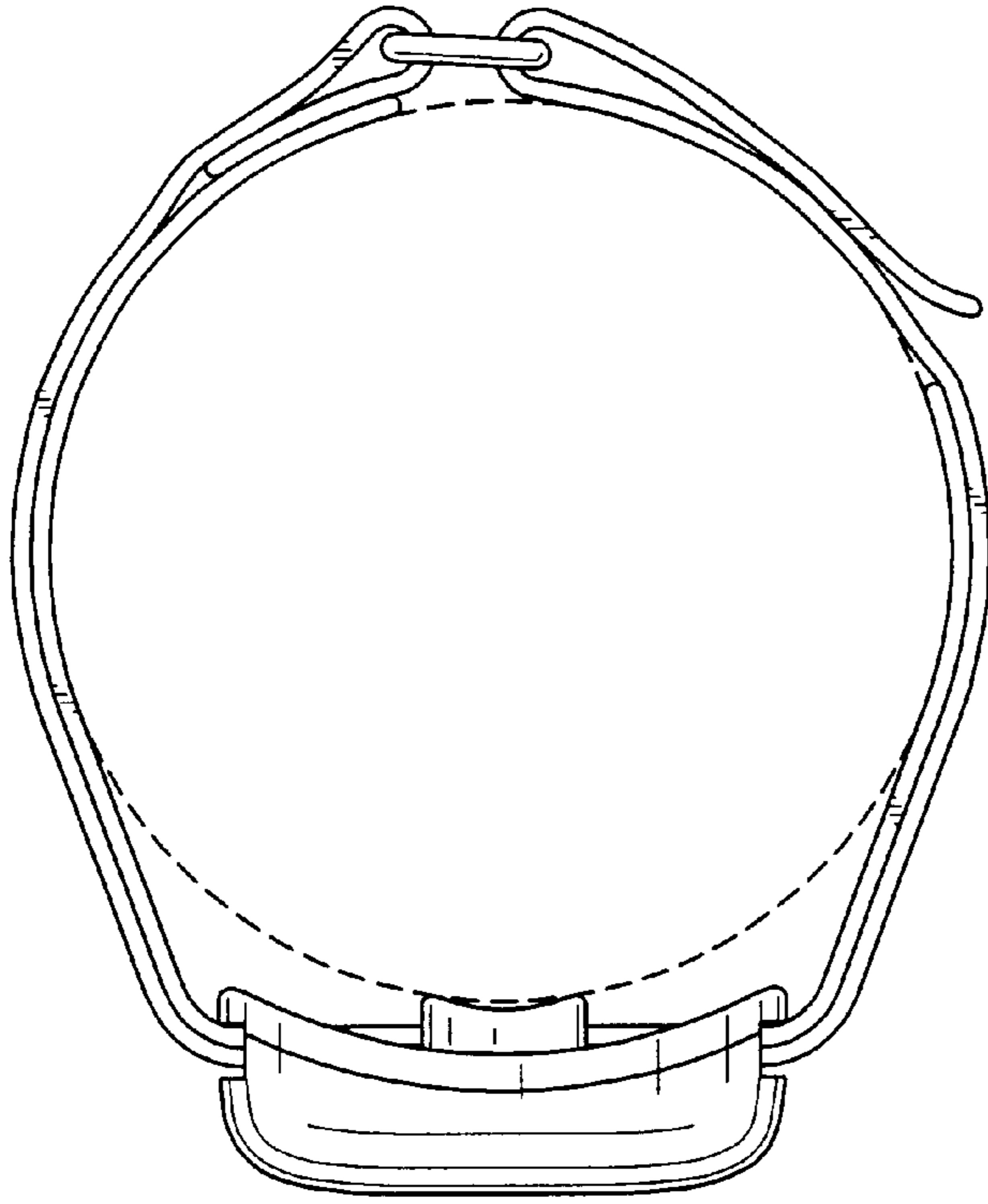


FIG. 5

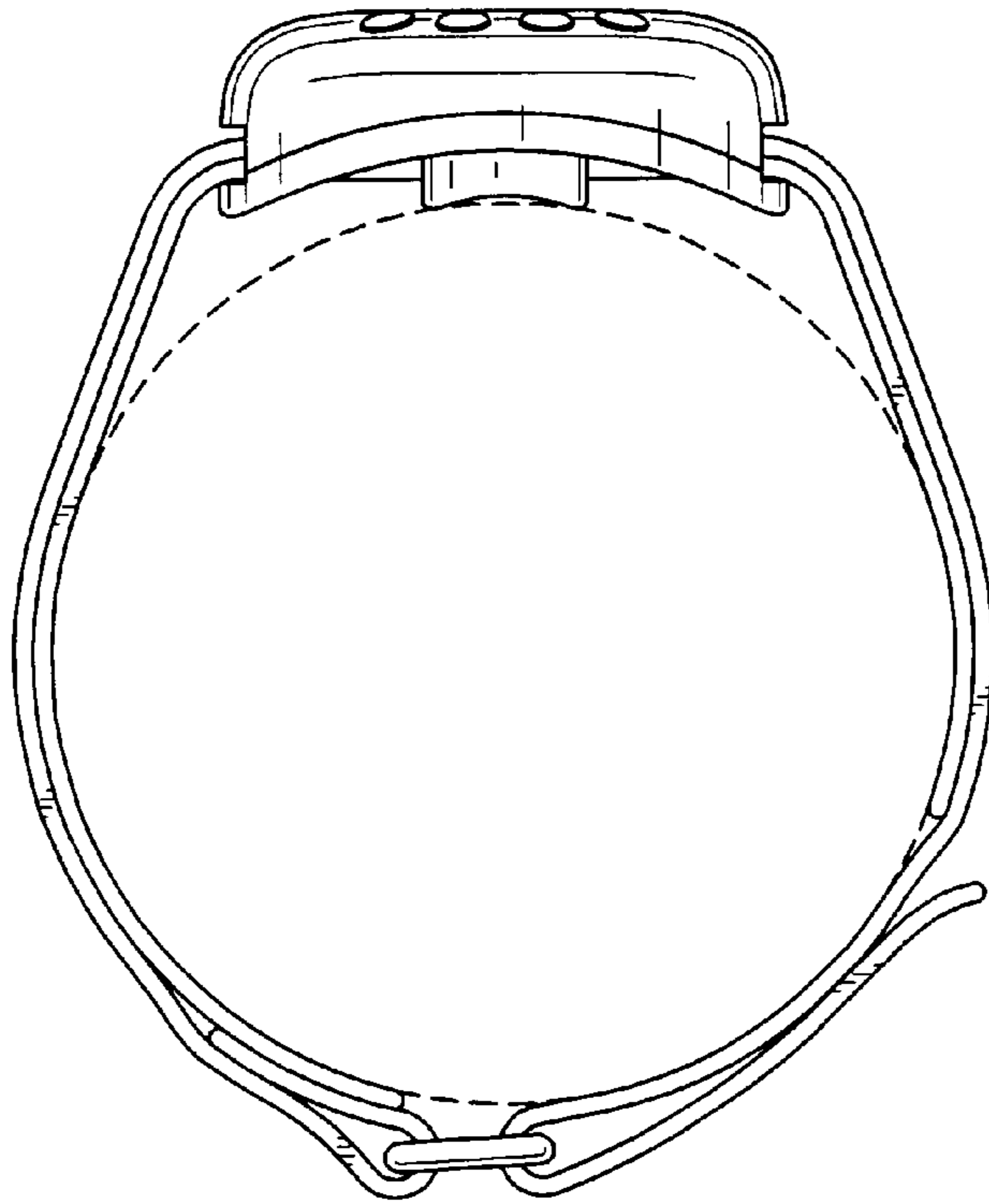


FIG. 6

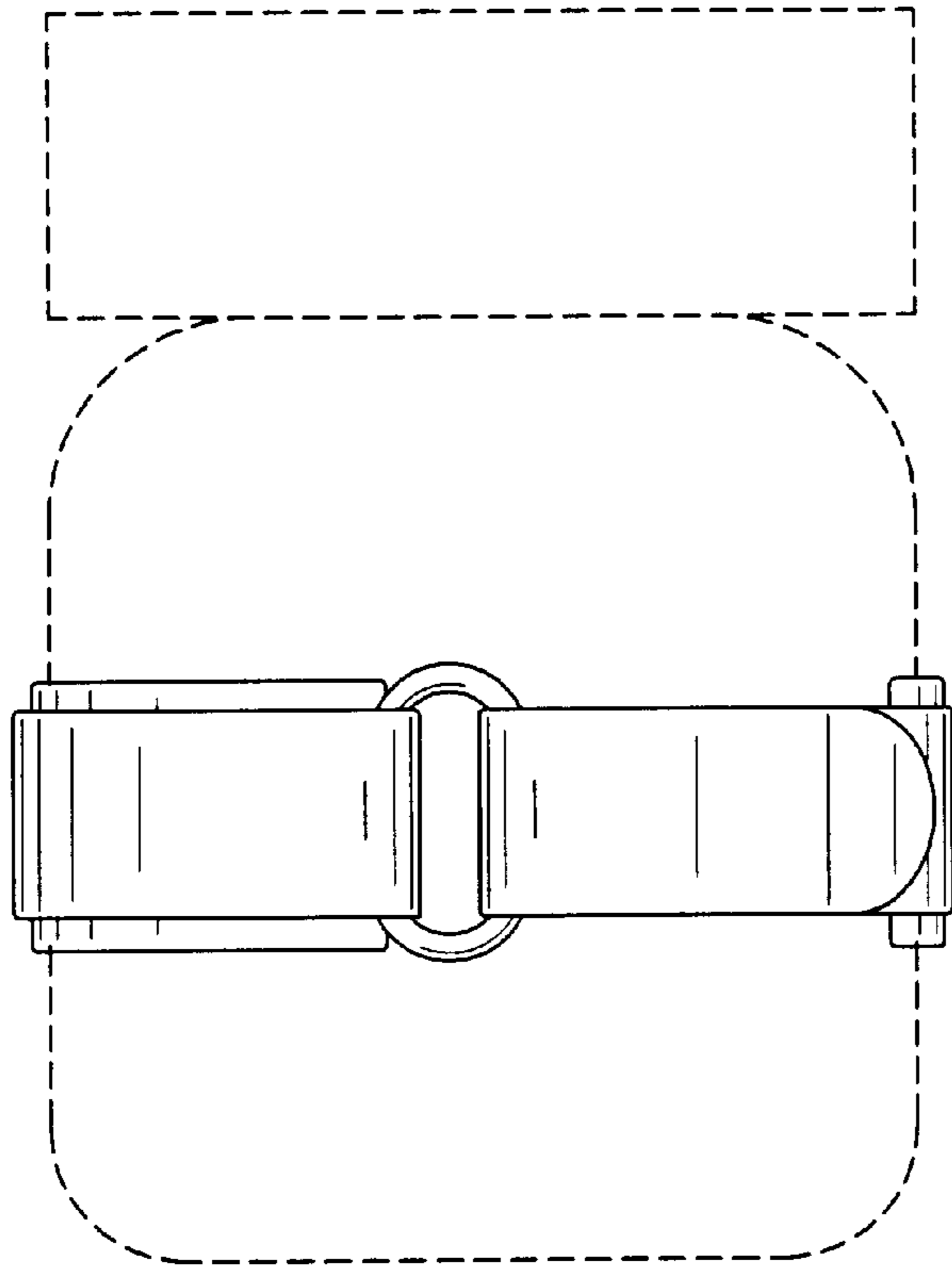


FIG. 7

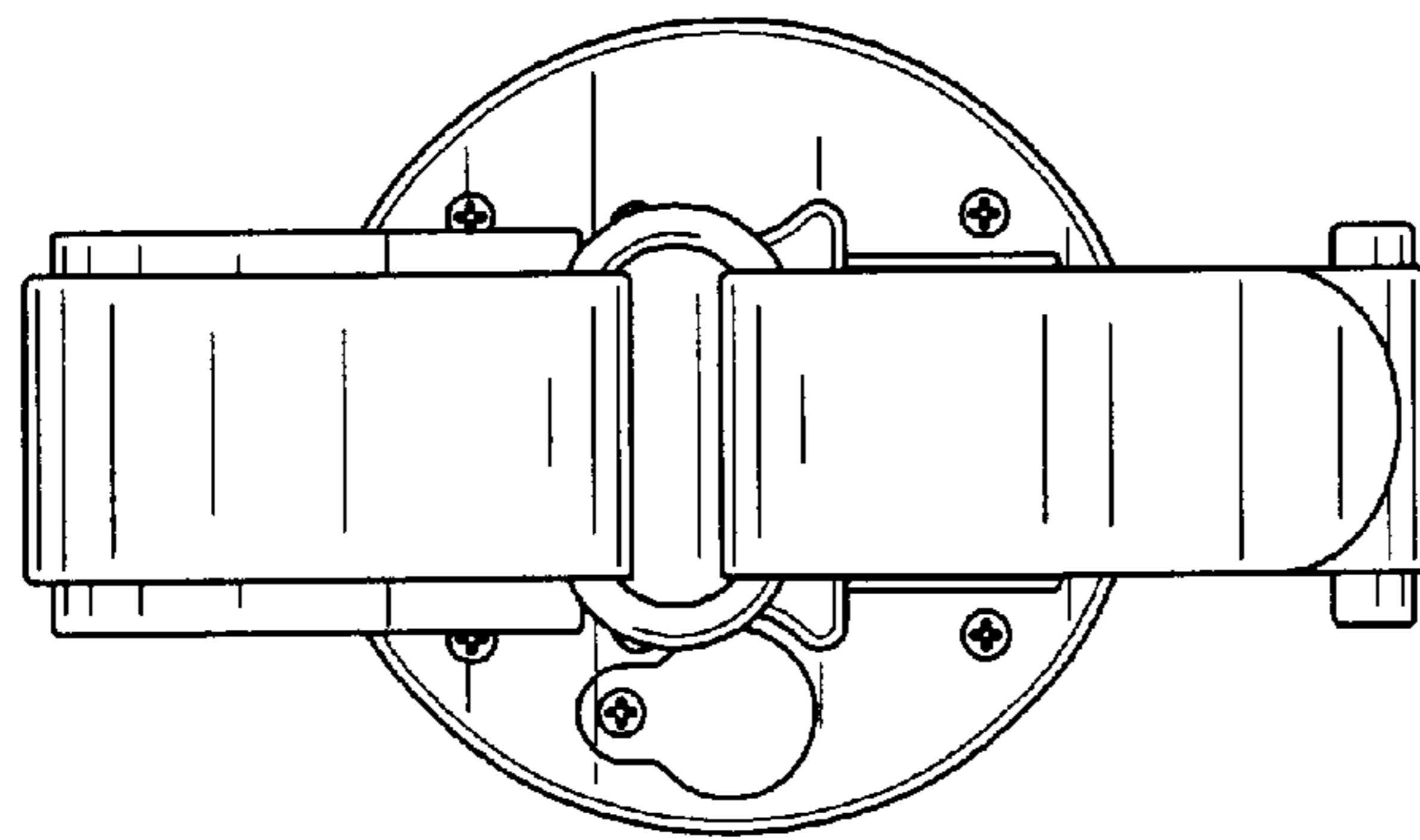


FIG. 8

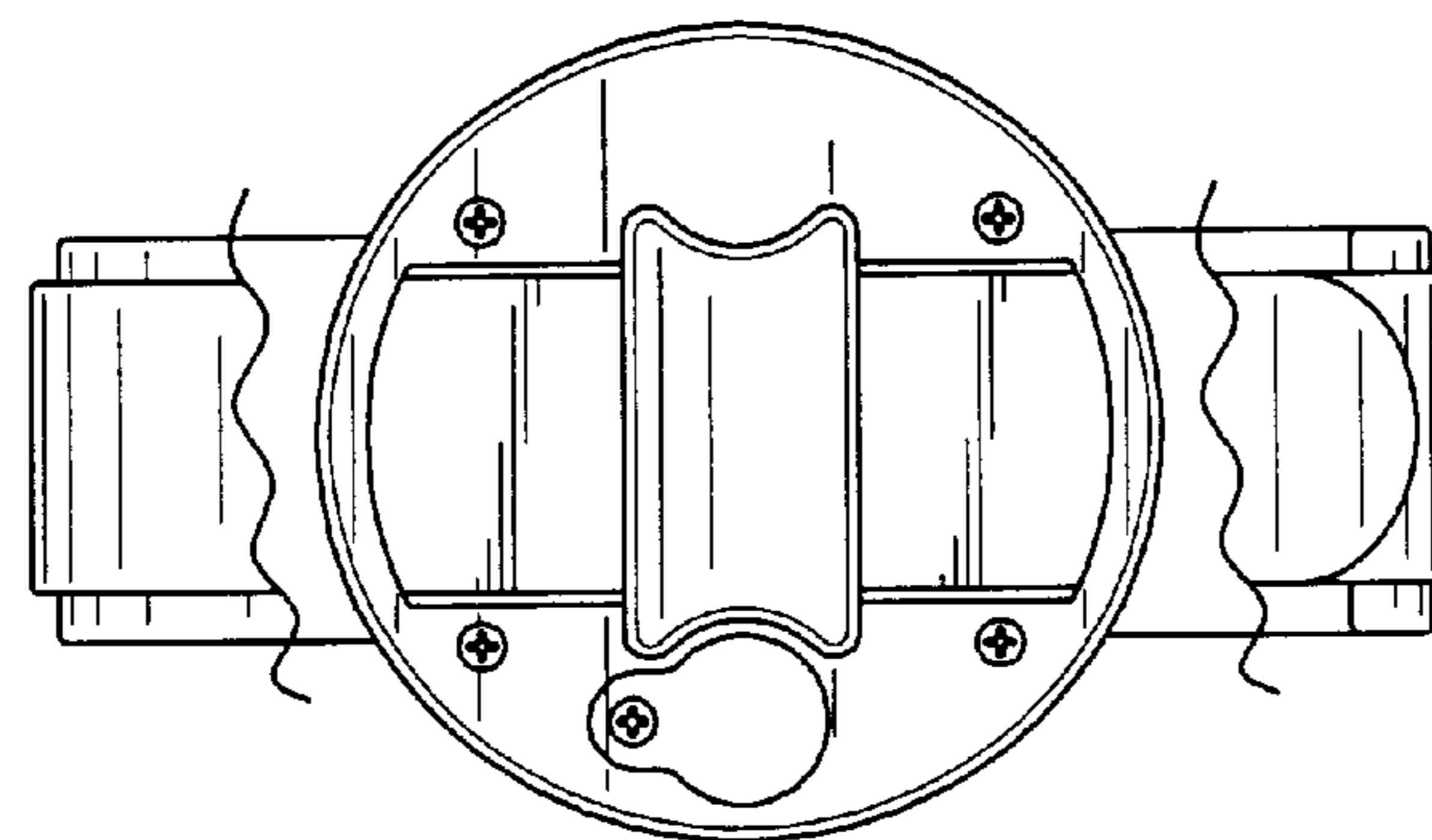


FIG. 9