



US00D525537S

(12) **United States Design Patent**
Monachon

(10) **Patent No.:** **US D525,537 S**
(45) **Date of Patent:** **** Jul. 25, 2006**

(54) **WRISTWATCH**

(75) Inventor: **Jean-Claude Monachon**, Les
Vieux-Prés (CH)

(73) Assignee: **Omega SA (Omega AG) (Omega Ltd.)**, Bienne (CH)

(**) Term: **14 Years**

(21) Appl. No.: **29/233,480**

(22) Filed: **Jul. 5, 2005**

(30) **Foreign Application Priority Data**

Feb. 1, 2005 (WO) DM/066 358

(51) **LOC (8) Cl.** **10-02**

(52) **U.S. Cl.** **D10/32**

(58) **Field of Classification Search** D10/30-39;
368/276, 277, 281, 282, 285, 295, 286, 283,
368/239-242, 82-84, 223, 228, 232, 80;
D11/2, 3, 12, 93; 224/164, 175; 63/1.13,
63/3, 4, 3.1, 5.1

See application file for complete search history.

(56) **References Cited**

U.S. PATENT DOCUMENTS

D474,118 S * 5/2003 Monachon D10/32
D493,729 S * 8/2004 Monachon D10/32

OTHER PUBLICATIONS

Skin Diver, Nov., 1979, p. 18, Rolex Submariner watch#168080.*

W. Bell Catalog, 1985, p. 121, Steel Diver watch by La Cloche, item #6.*

Best Catalog, Aug. 1986, p. 94, Louis Bernet Men's Analog Quartz Divers' Watch, item No. 4.*

* cited by examiner

Primary Examiner—Lucy Lieberman

(74) *Attorney, Agent, or Firm*—Collen IP; Donald J. Ranft

(57) **CLAIM**

The ornamental design for a wristwatch, as shown and described.

DESCRIPTION

FIG. 1 is a front view of my new and ornamental design for a wristwatch;

FIG. 2 is a rear view thereof;

FIG. 3 is a top view thereof;

FIG. 4 is a bottom view thereof;

FIG. 5 is right side view thereof;

FIG. 6 is a left side view thereof;

FIG. 7 is a front perspective view thereof;

FIG. 8 is a rear perspective view thereof;

FIG. 9 is a front view of another embodiment of my new and ornamental design for a wristwatch;

FIG. 10 is a rear view thereof;

FIG. 11 is a top view thereof;

FIG. 12 is a bottom view thereof;

FIG. 13 is a right side view thereof;

FIG. 14 is a left side view thereof;

FIG. 15 is a front perspective view thereof; and,

FIG. 16 is a rear perspective view thereof.

1 Claim, 4 Drawing Sheets





Figure 1

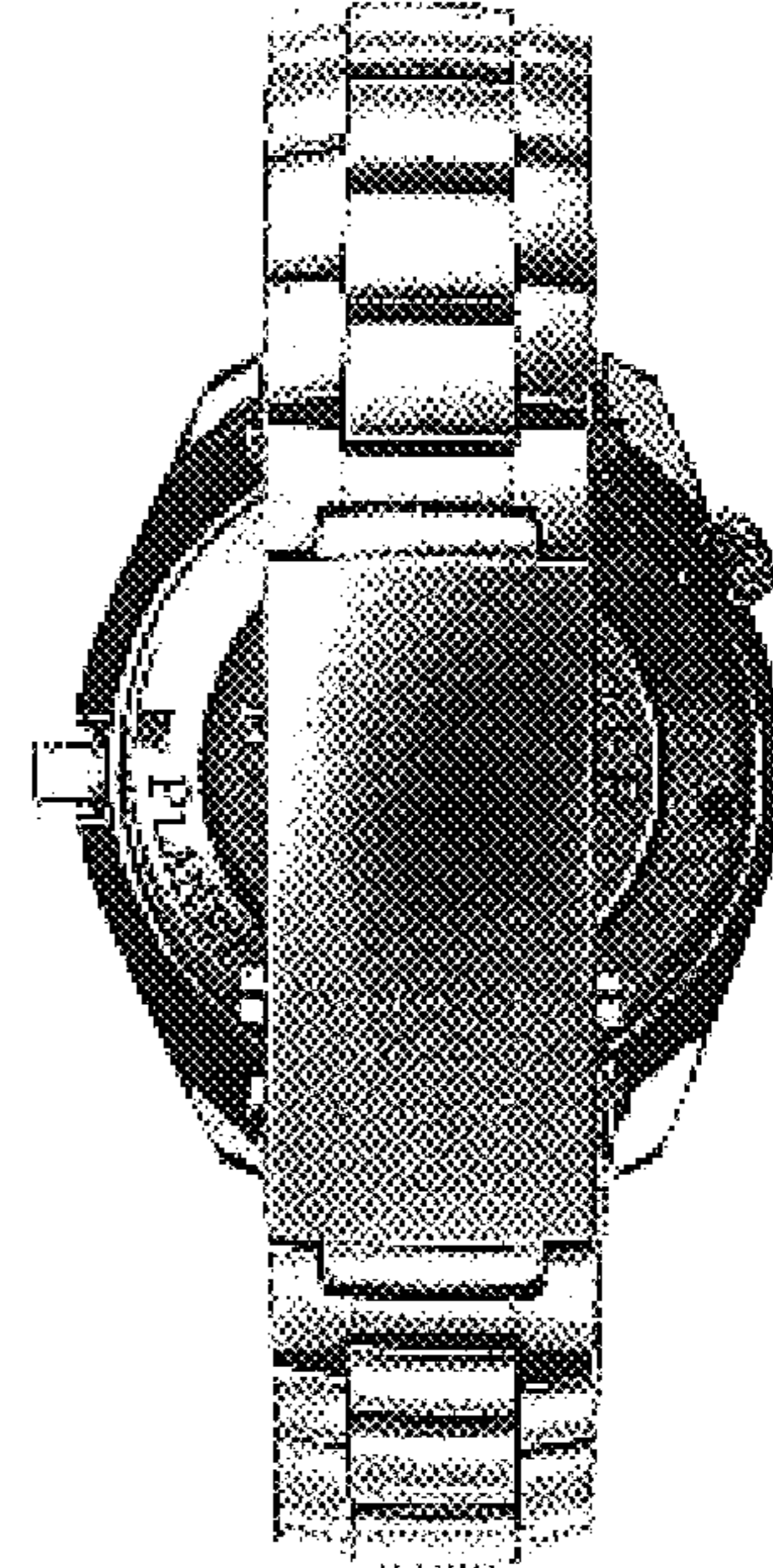


Figure 2

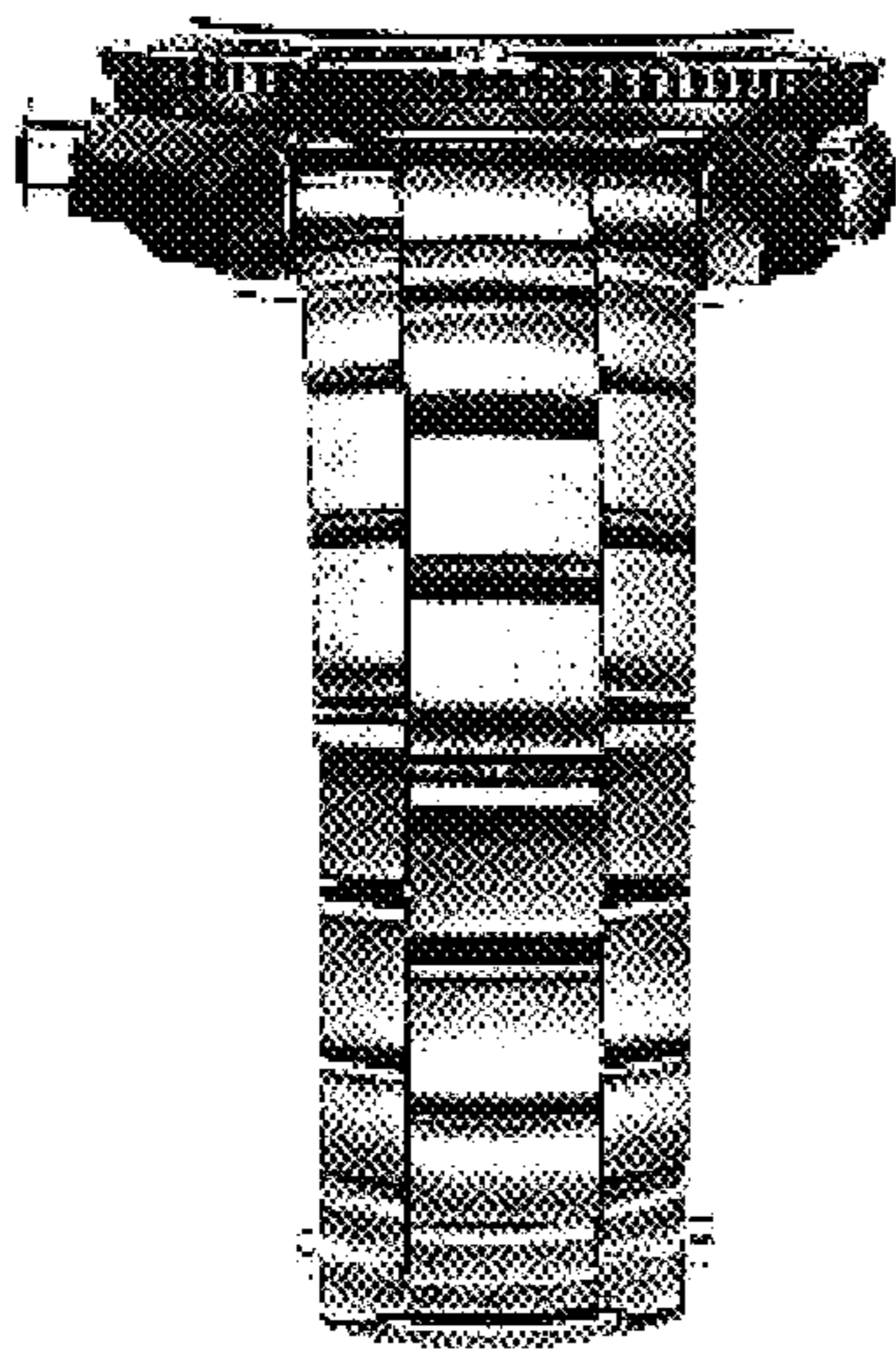


Figure 3

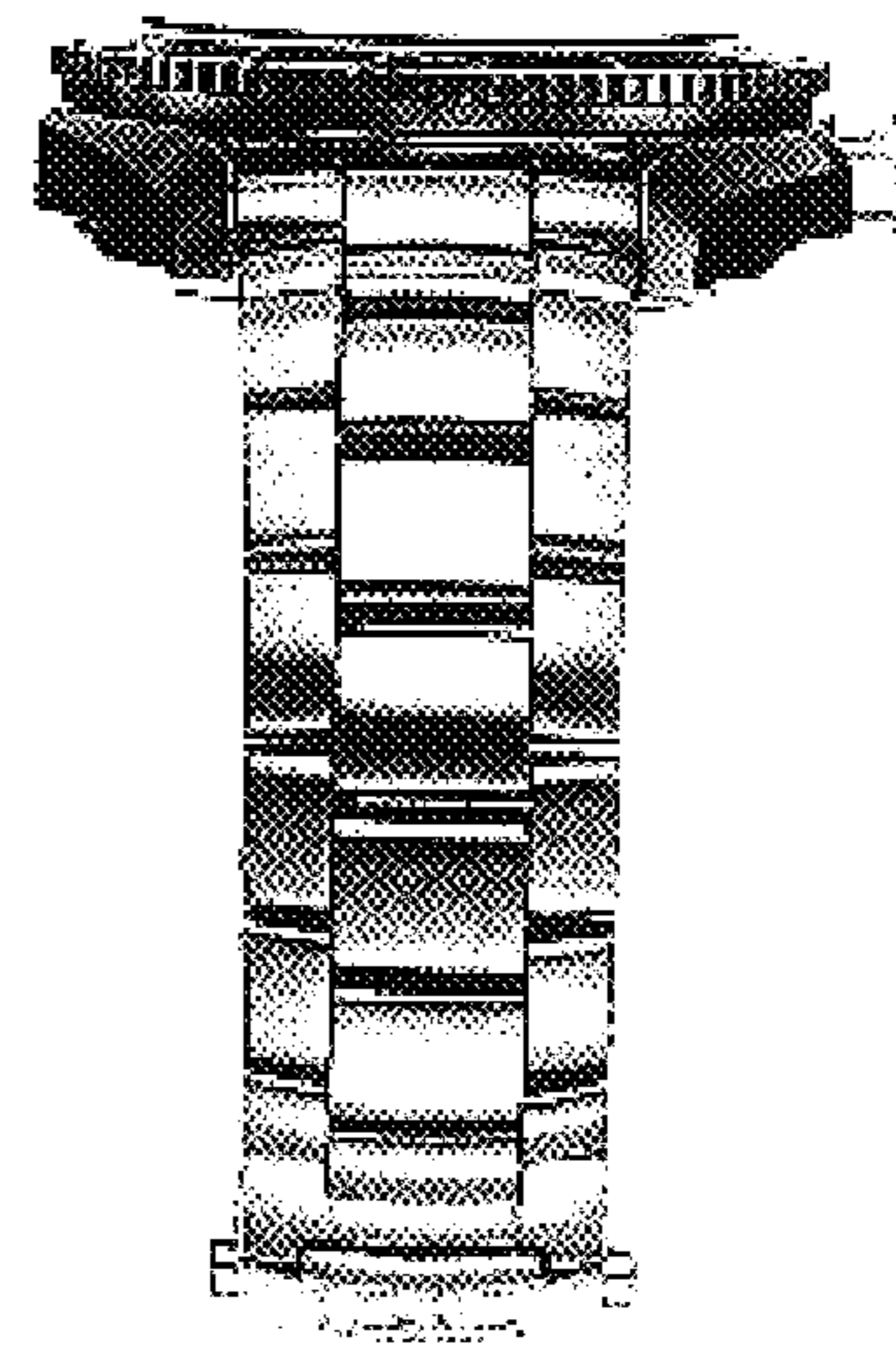


Figure 4

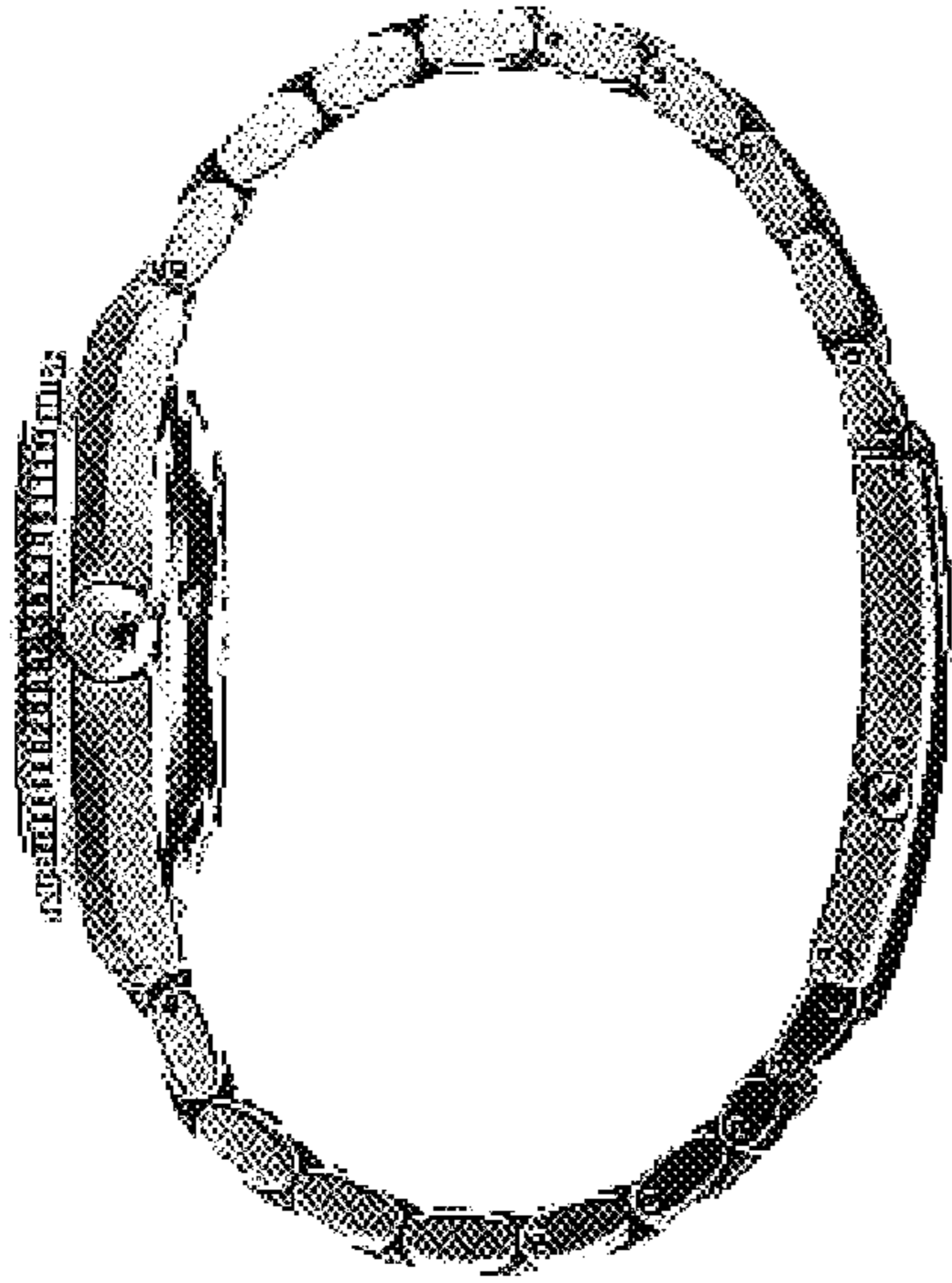


Figure 5



Figure 6



Figure 7



Figure 8



Figure 9

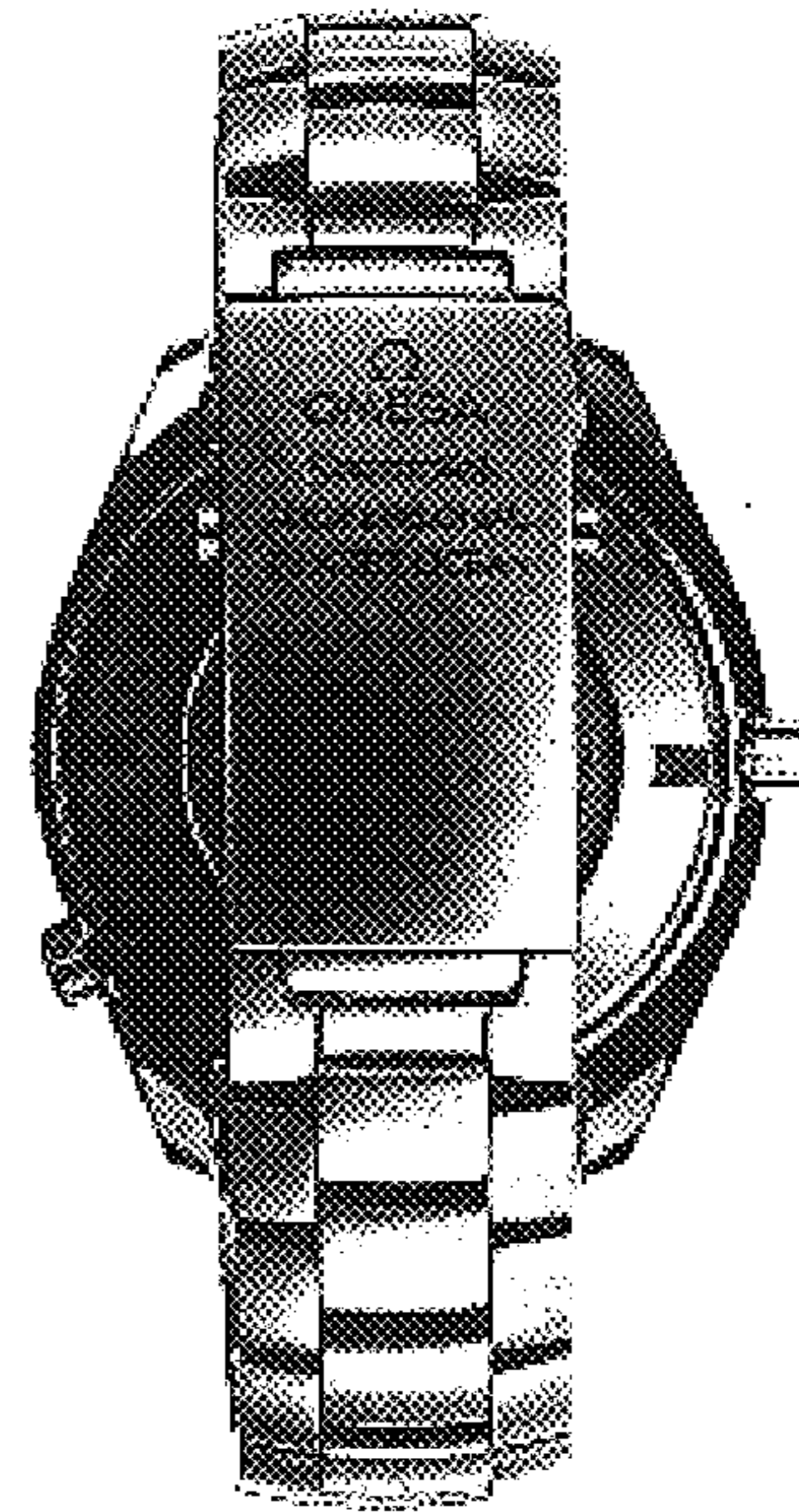


Figure 10

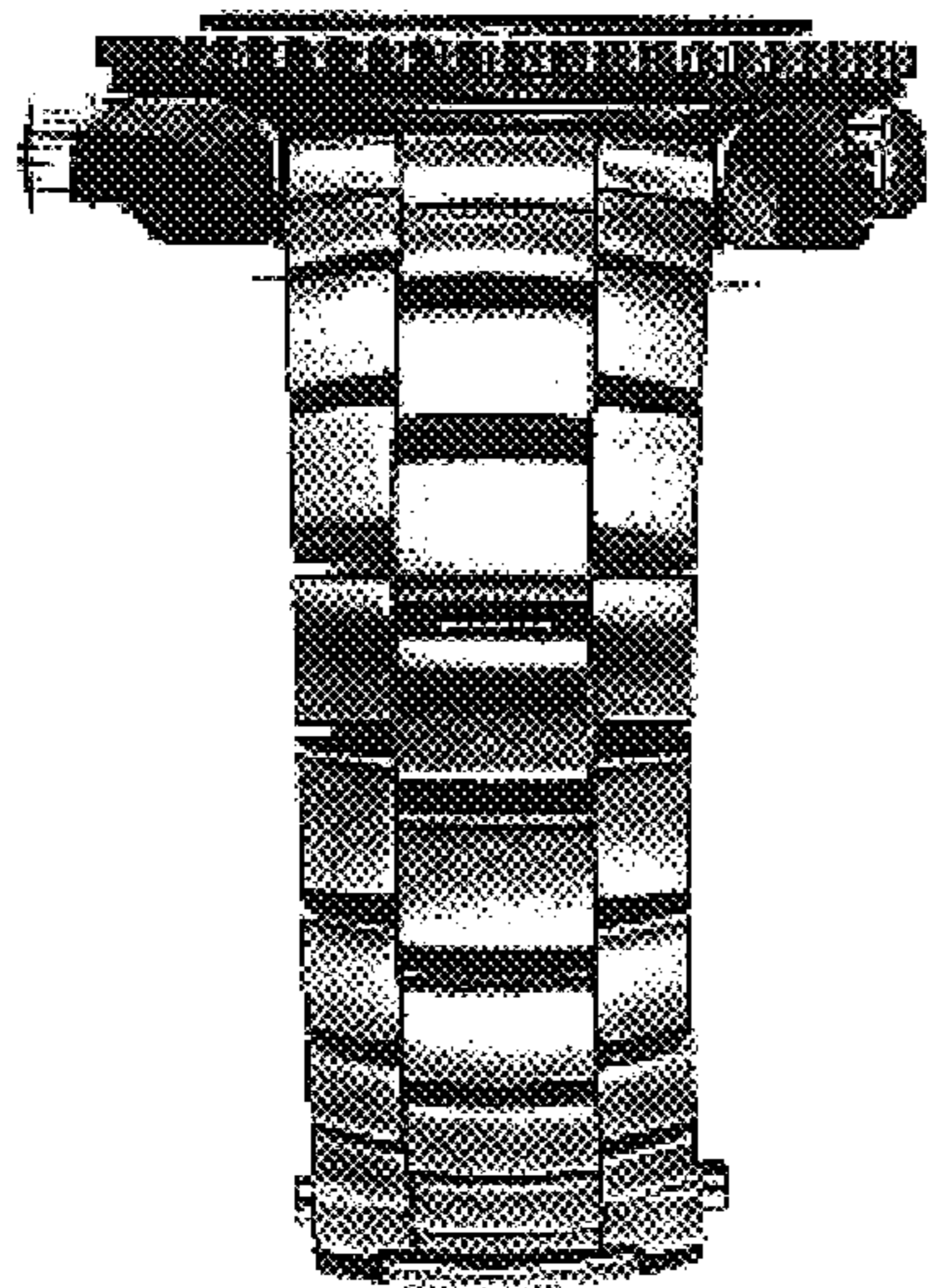


Figure 11

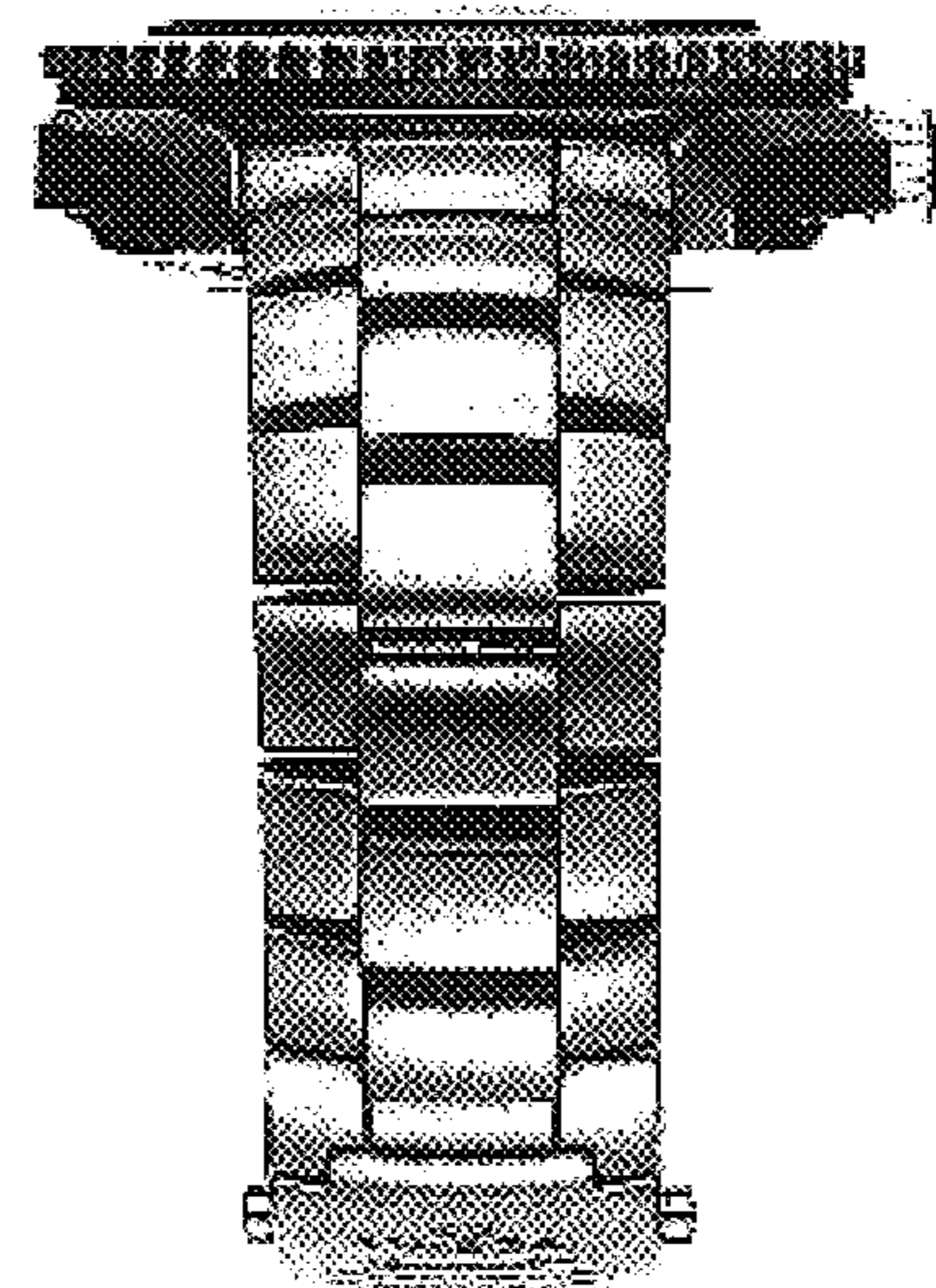


Figure 12

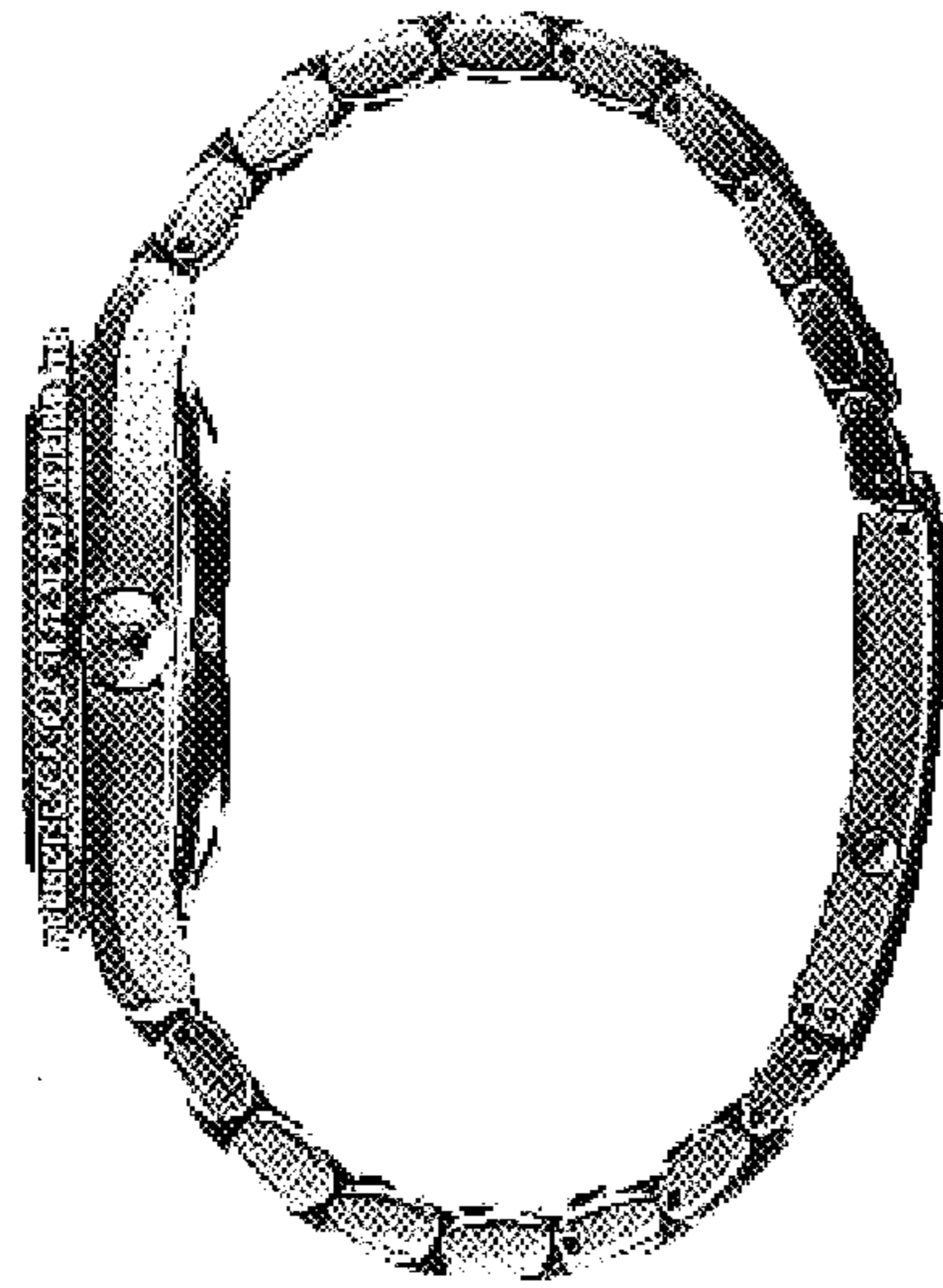


Figure 13

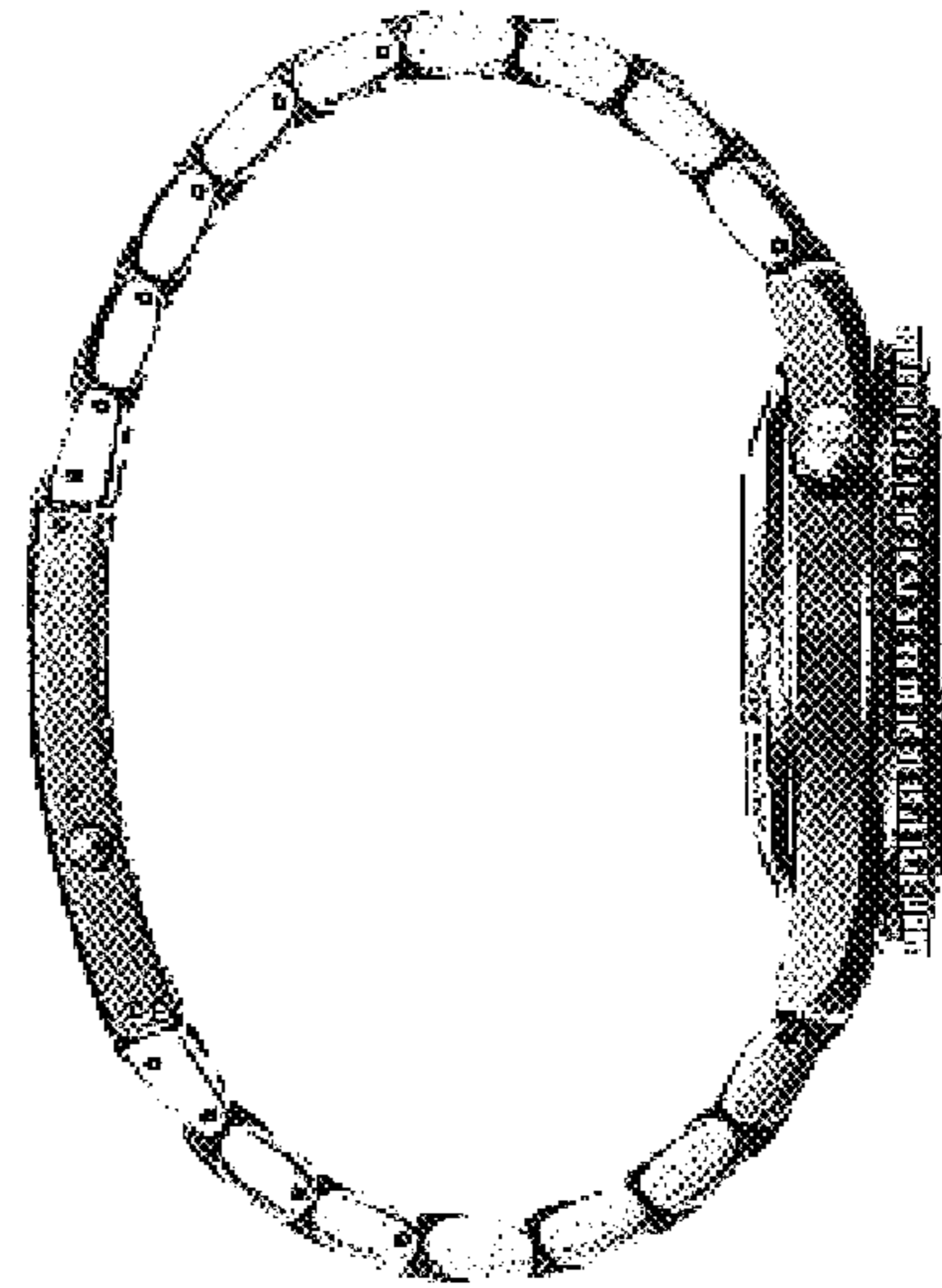


Figure 14



Figure 15



Figure 16