

US00D525536S

(12) **United States Design Patent**
Chan

(10) **Patent No.:** **US D525,536 S**
(45) **Date of Patent:** **** Jul. 25, 2006**

(54) **TORCH WITH CLOCK**
(75) Inventor: **Sik-Leung Chan**, New Territories (CN)
(73) Assignee: **C. C. & L Company Limited**, New Territories (CN)
(**) Term: **14 Years**

D340,300 S * 10/1993 Yuen D26/38
D375,569 S * 11/1996 Hwang D26/37
D388,713 S * 1/1998 Yuen D10/5
D419,891 S * 2/2000 Chan D10/5
D442,869 S * 5/2001 Leung D10/5
D449,995 S * 11/2001 Christianson D10/2
D477,432 S * 7/2003 Parsons D26/37
6,789,917 B1 * 9/2004 Parsons et al. 362/184

* cited by examiner

(21) Appl. No.: **29/220,697**
(22) Filed: **Jan. 5, 2005**

Primary Examiner—Lucy Lieberman
(74) *Attorney, Agent, or Firm*—Alix, Yale & Ristas, LLP

(30) **Foreign Application Priority Data**

Jul. 6, 2004 (HK) 0411462.5M001

(57) **CLAIM**

The ornamental design for a torch with clock, as shown and described.

(51) **LOC (8) Cl.** **10-01**
(52) **U.S. Cl.** **D10/2; D10/5; D26/38**
(58) **Field of Classification Search** D10/1–29,
D10/122–132; 368/276–278, 280, 285, 223,
368/10, 11, 316, 317, 28–30, 239–250, 262,
368/82–84, 263, 256; D26/37–50; 362/157,
362/158, 183, 186, 196, 194, 200
See application file for complete search history.

DESCRIPTION

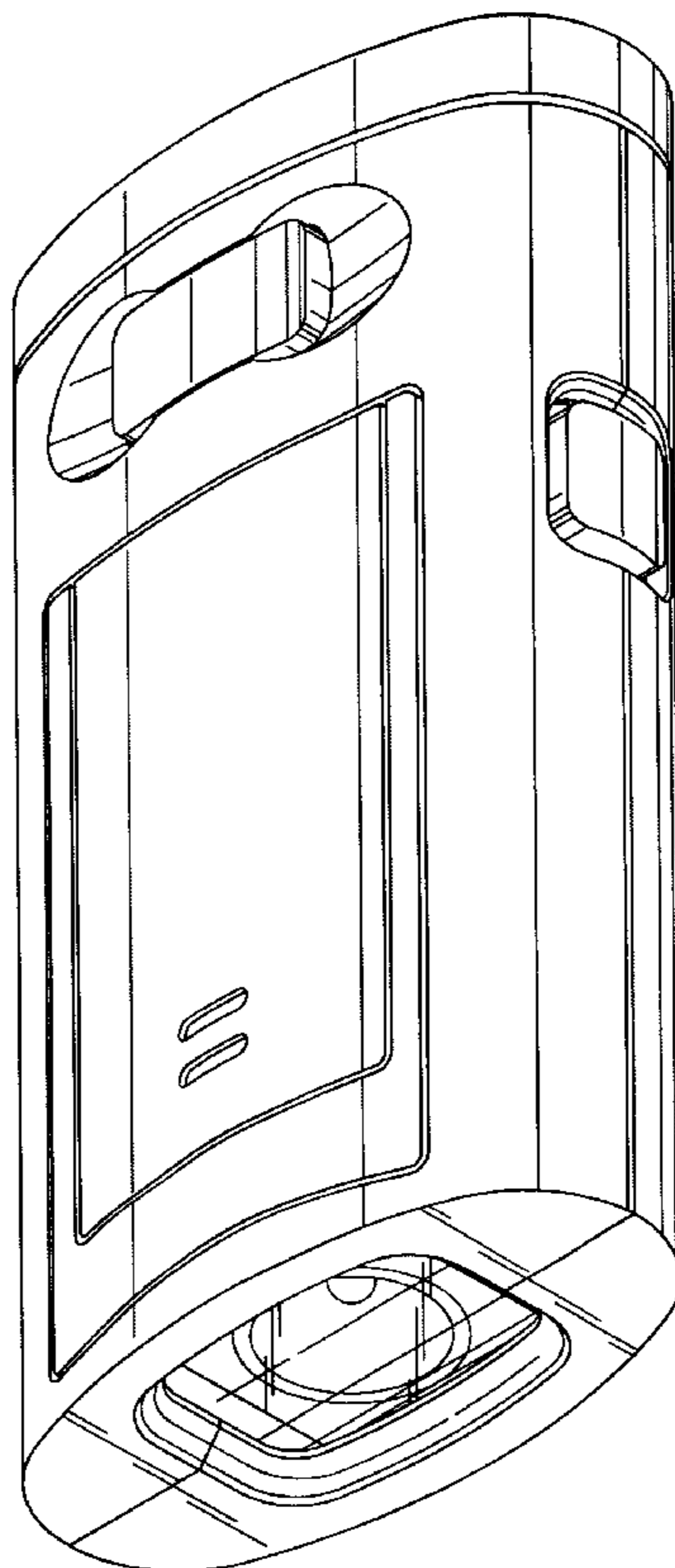
FIG. 1 is a front perspective view of a torch with clock showing my new design;
FIG. 2 is a front elevational view thereof;
FIG. 3 is a left side elevational view thereof;
FIG. 4 is a top plan view thereof;
FIG. 5 is a right side elevational view thereof;
FIG. 6 is a rear elevational view thereof;
FIG. 7 is a bottom plan view thereof; and,
FIG. 8 is a front perspective view with parts in alternative position thereof.

(56) **References Cited**

U.S. PATENT DOCUMENTS

4,032,773 A * 6/1977 Halliday et al. 362/157
4,268,894 A * 5/1981 Bartunek et al. 362/158
4,926,300 A * 5/1990 Ralston 362/189
D309,437 S * 7/1990 Ng D10/5

1 Claim, 4 Drawing Sheets



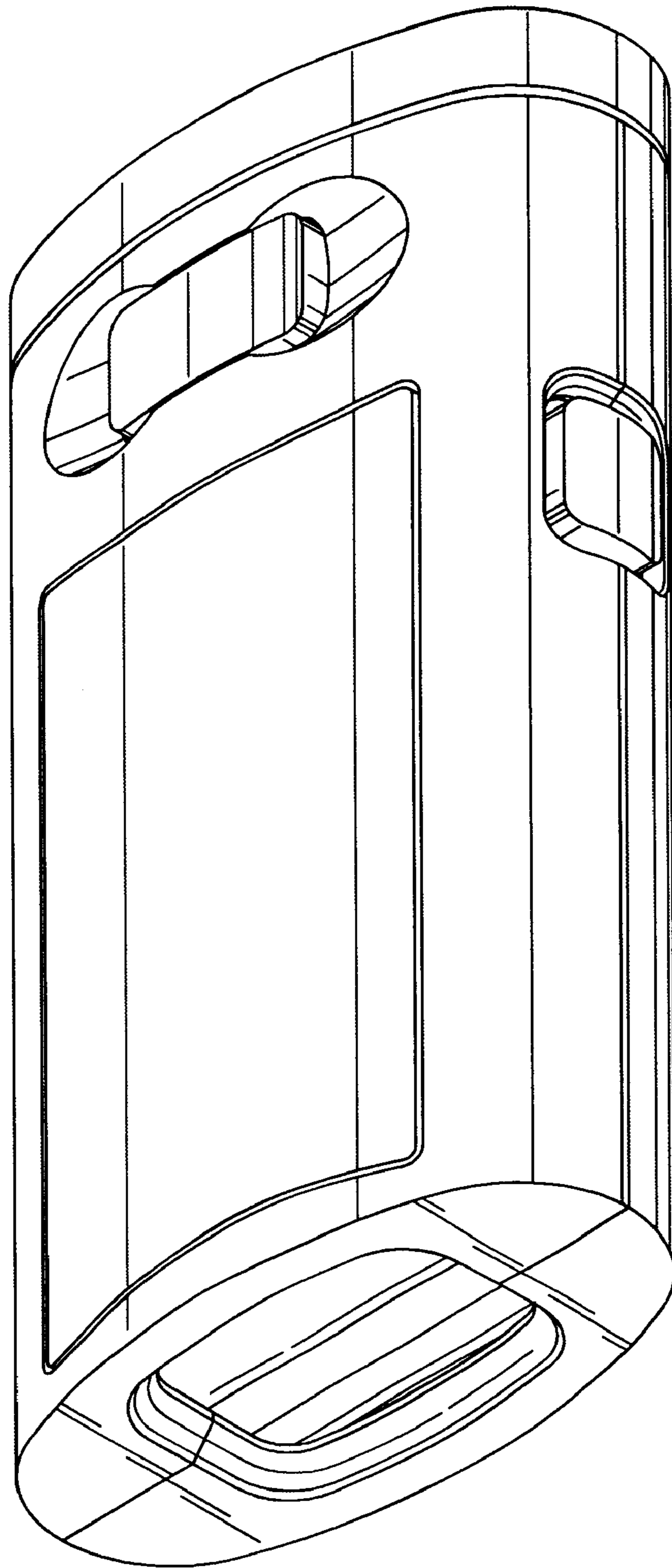


FIG. 1

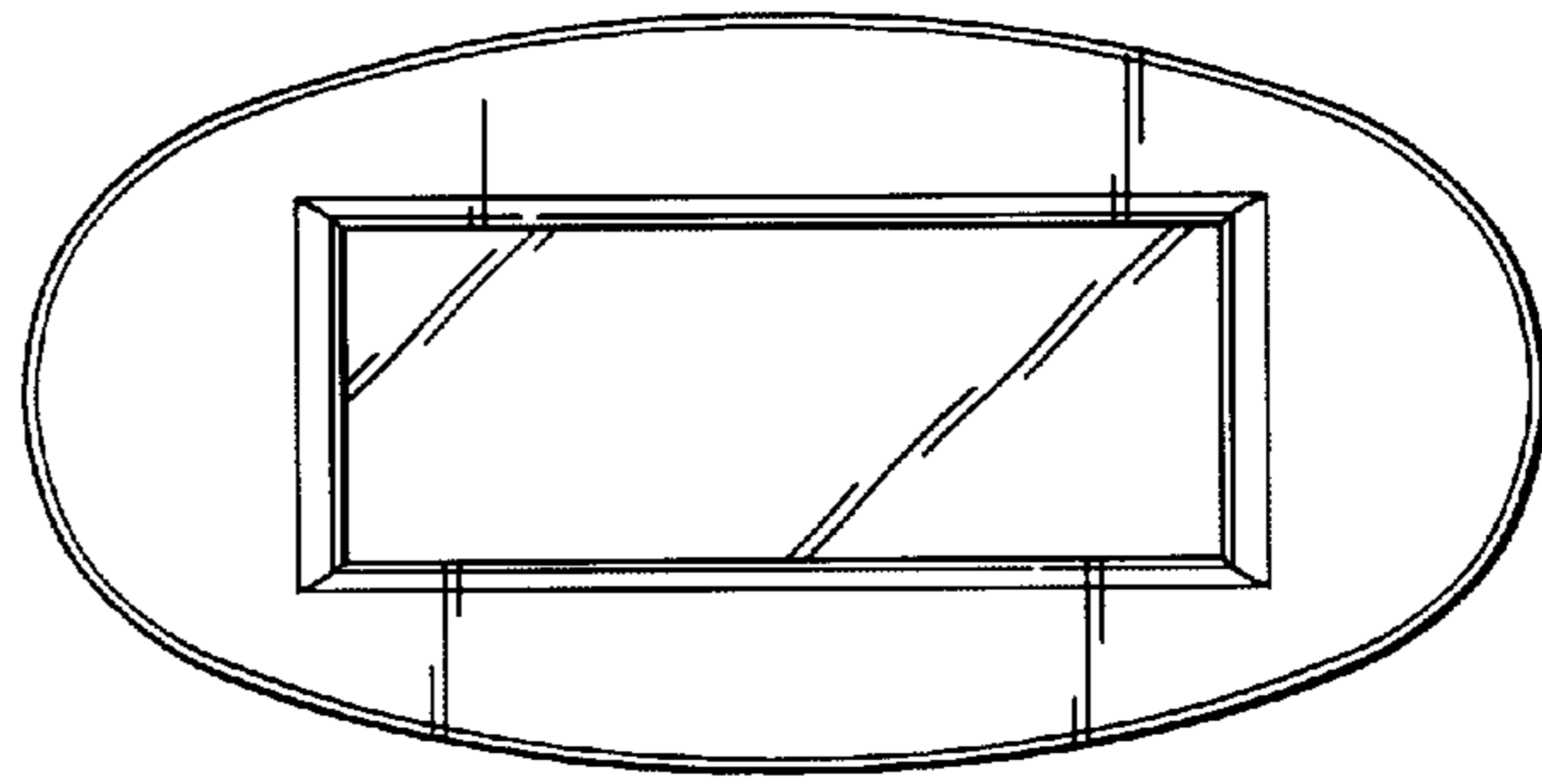


FIG. 4

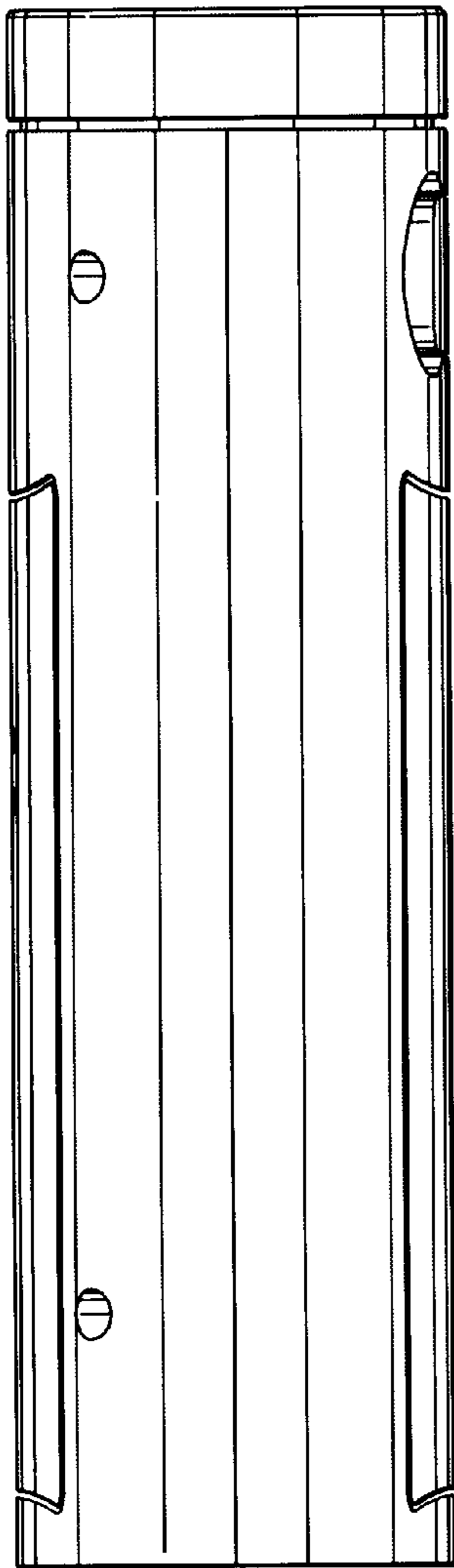


FIG. 3

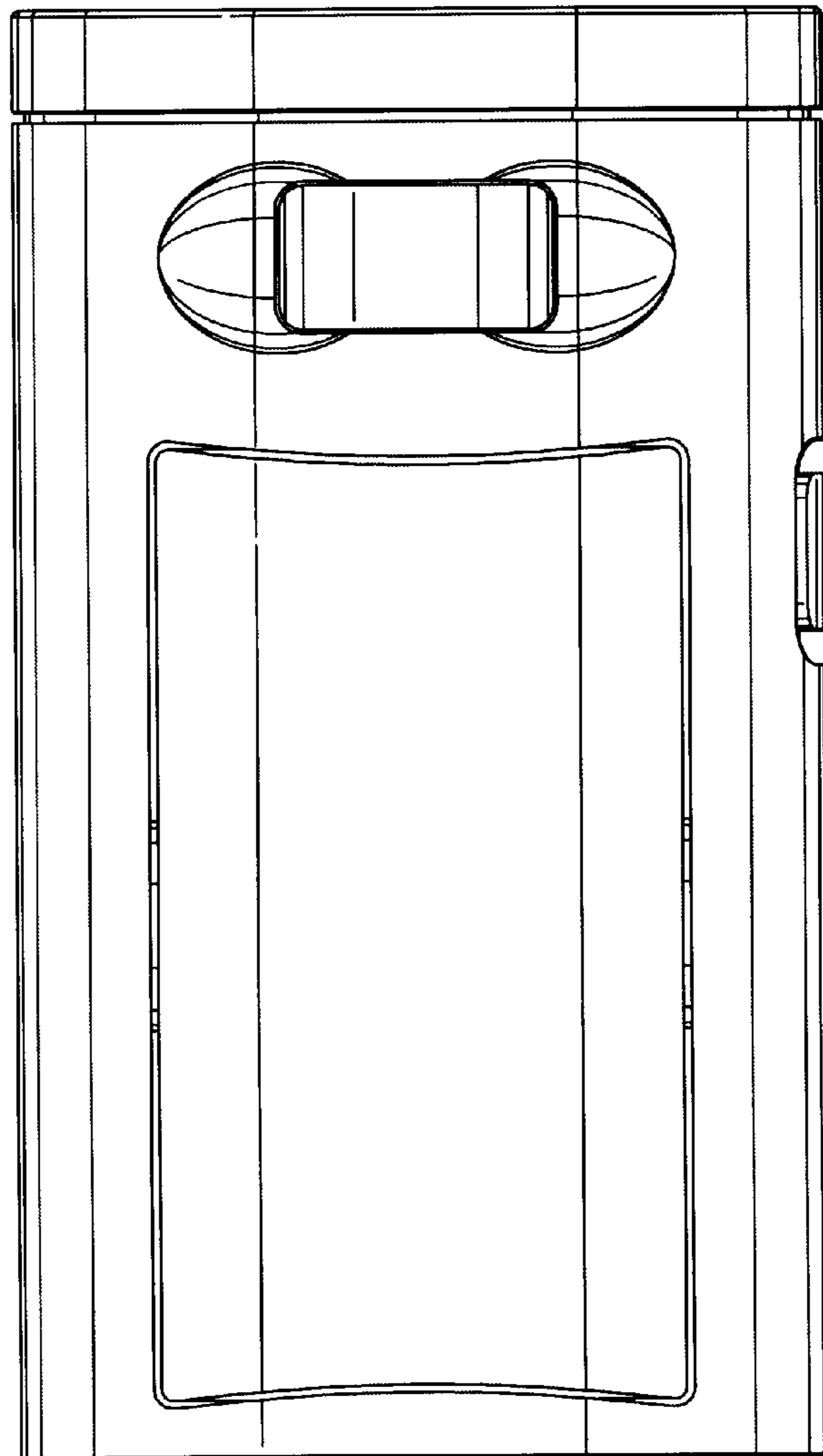


FIG. 2

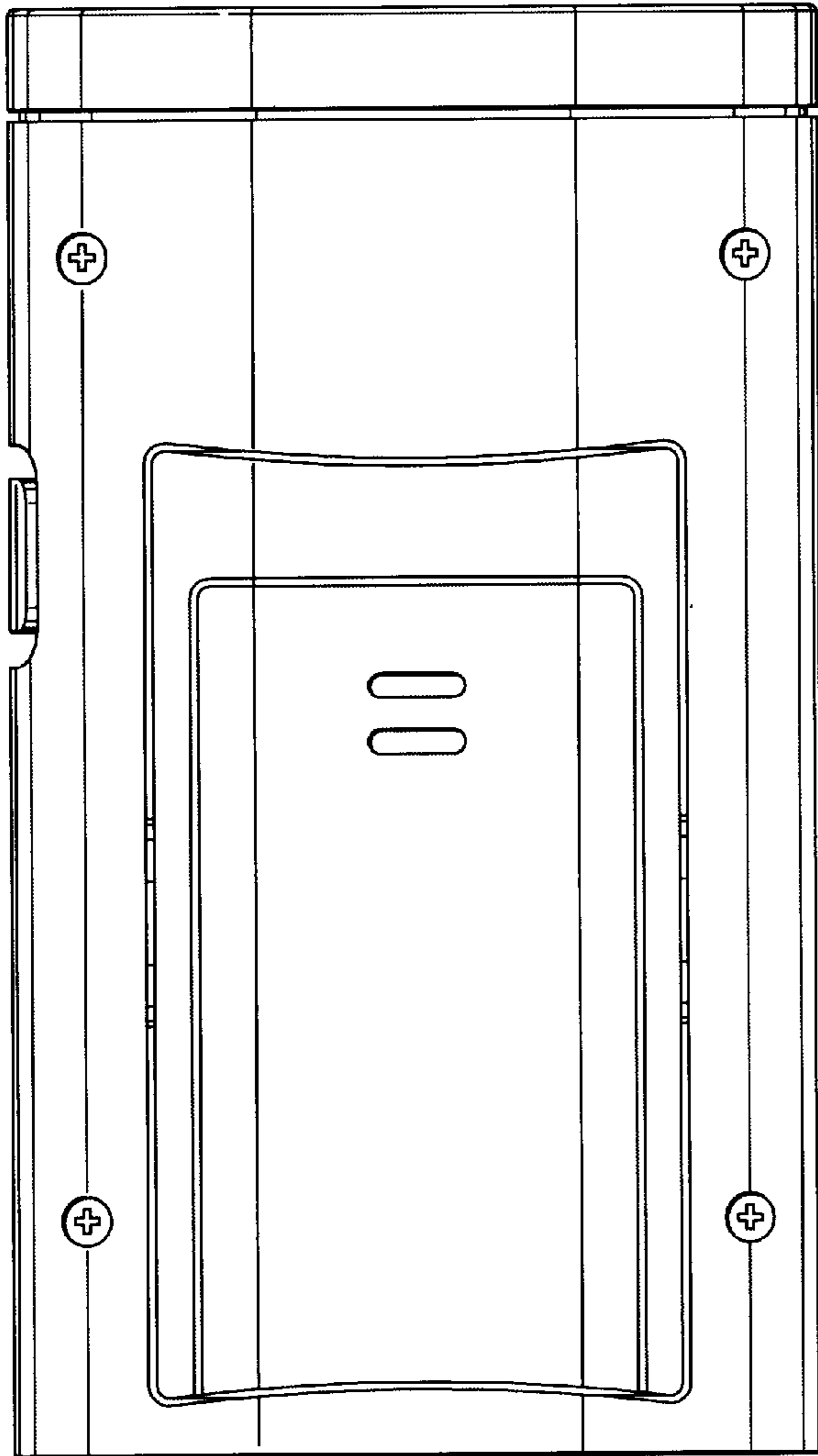


FIG. 6

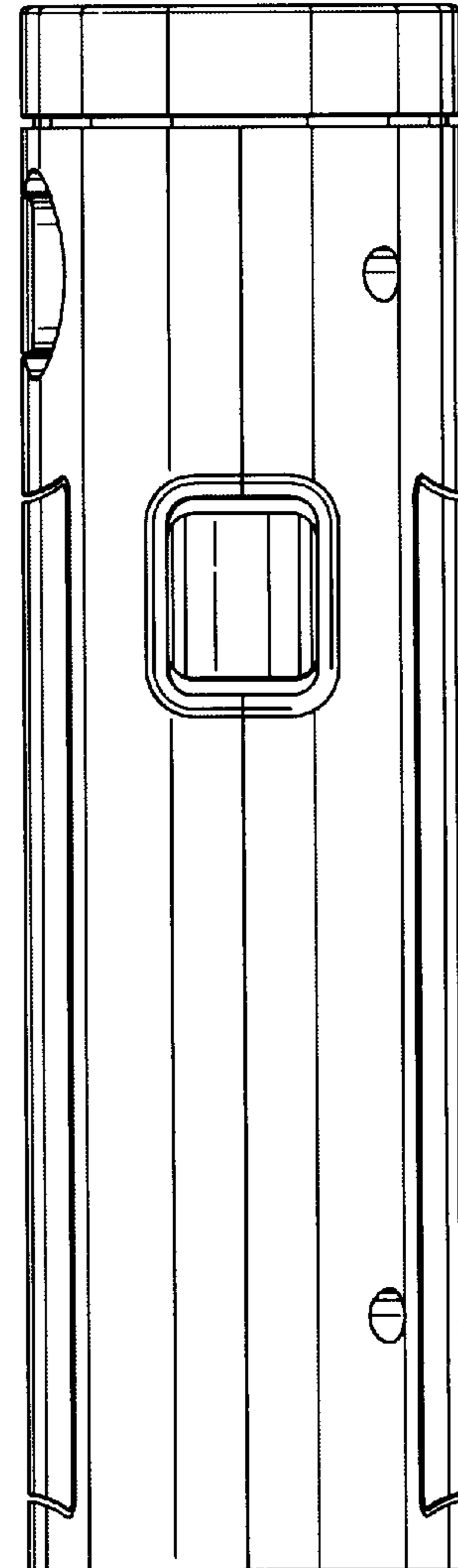


FIG. 5

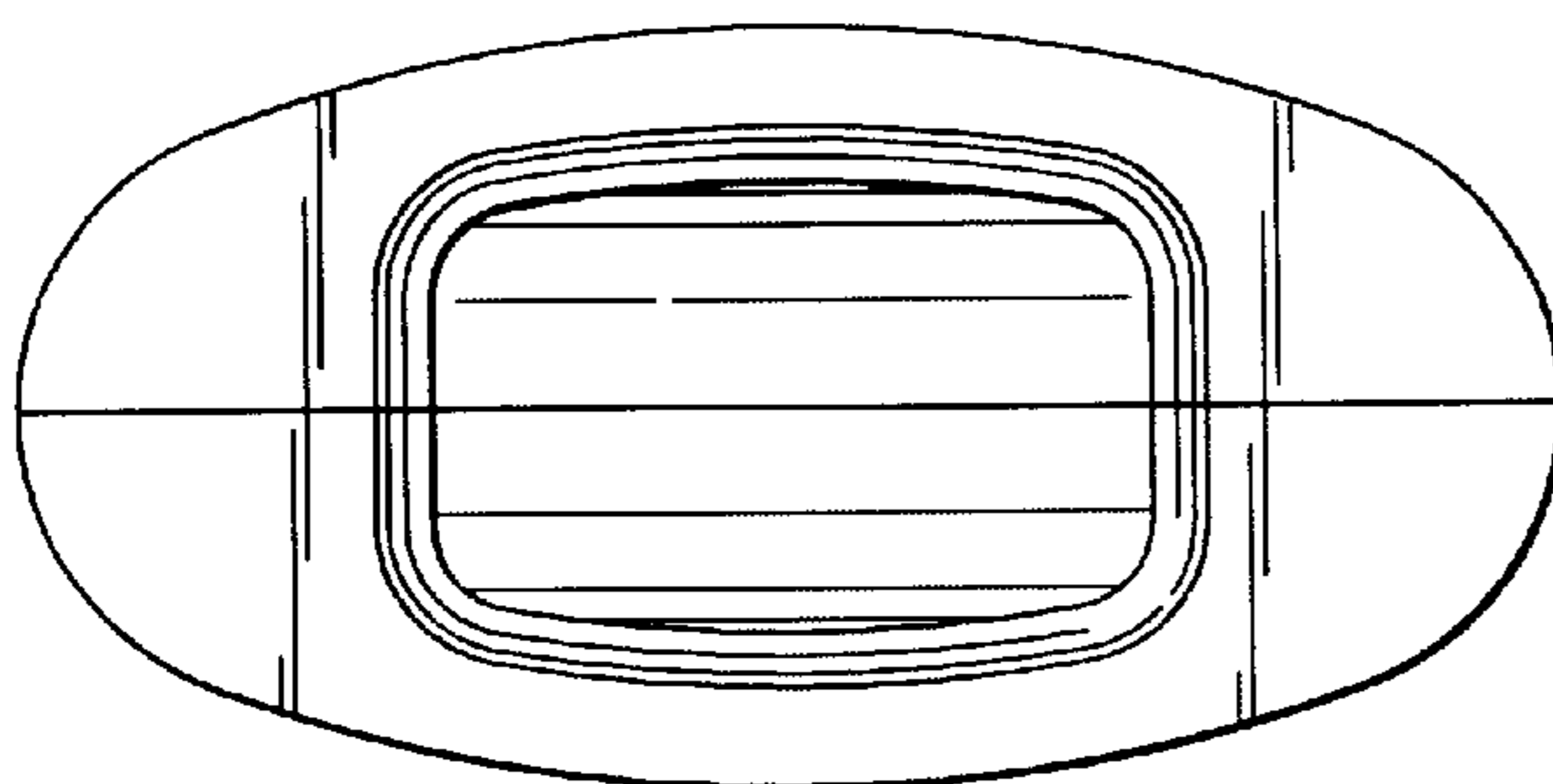


FIG. 7

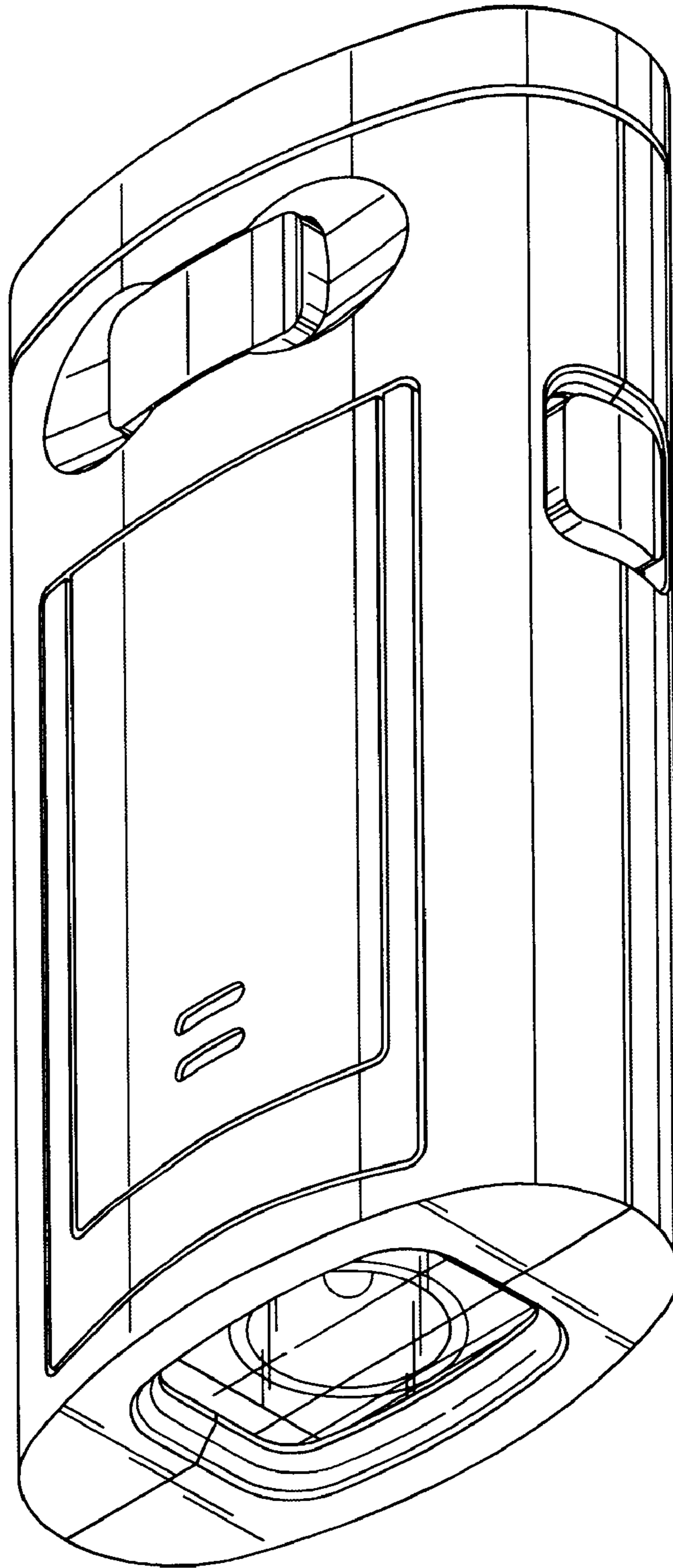


FIG. 8