



US00D525535S

(12) **United States Design Patent**  
**Rathbone**

(10) **Patent No.:** **US D525,535 S**

(45) **Date of Patent:** **\*\* Jul. 25, 2006**

(54) **PRODUCT DISPENSER**

(75) Inventor: **Jonathan Edward Rathbone**, Chicago, IL (US)

(73) Assignee: **Wm. Wrigley Jr. Company**, Chicago, IL (US)

(\*\*) Term: **14 Years**

(21) Appl. No.: **29/229,635**

(22) Filed: **May 9, 2005**

(51) **LOC (8) Cl.** ..... **09-03**

(52) **U.S. Cl.** ..... **D9/757**

(58) **Field of Classification Search** ..... D9/757,  
D9/711, 761, 762, 702, 737, 756, 415, 418,  
D9/424; D3/203.1, 203.2; 206/528, 538,  
206/540, 822, 828, 445, 96; 229/125.015,  
229/125.08, 4.5, 406, 45, 162.5

See application file for complete search history.

(56) **References Cited**

**U.S. PATENT DOCUMENTS**

2,802,565 A \* 8/1957 Kabbash ..... 229/125.015  
D204,505 S \* 4/1966 Bostrom ..... D9/757  
3,510,049 A \* 5/1970 Donovan ..... 206/521.1

3,568,914 A \* 3/1971 Ahlmeyer ..... 206/521.1  
D241,122 S \* 8/1976 Gatley ..... D9/749  
D248,375 S \* 7/1978 Bergstein ..... D9/415  
D426,153 S \* 6/2000 Sagel et al. .... D9/428  
D466,801 S \* 12/2002 Holland ..... D3/203.3  
D470,764 S \* 2/2003 Garcia ..... D9/416  
D472,808 S \* 4/2003 Gelardi et al. .... D9/428  
D472,810 S \* 4/2003 Gelardi et al. .... D9/428

\* cited by examiner

*Primary Examiner*—Stella Reid

*Assistant Examiner*—Mark Goodwin

(74) *Attorney, Agent, or Firm*—Bell, Boyd & Lloyd LLC

(57) **CLAIM**

The ornamental design for a product dispenser, as shown and described.

**DESCRIPTION**

FIG. 1 is a perspective view of a product dispenser showing my new design.

FIG. 2 is a front view of FIG. 1.

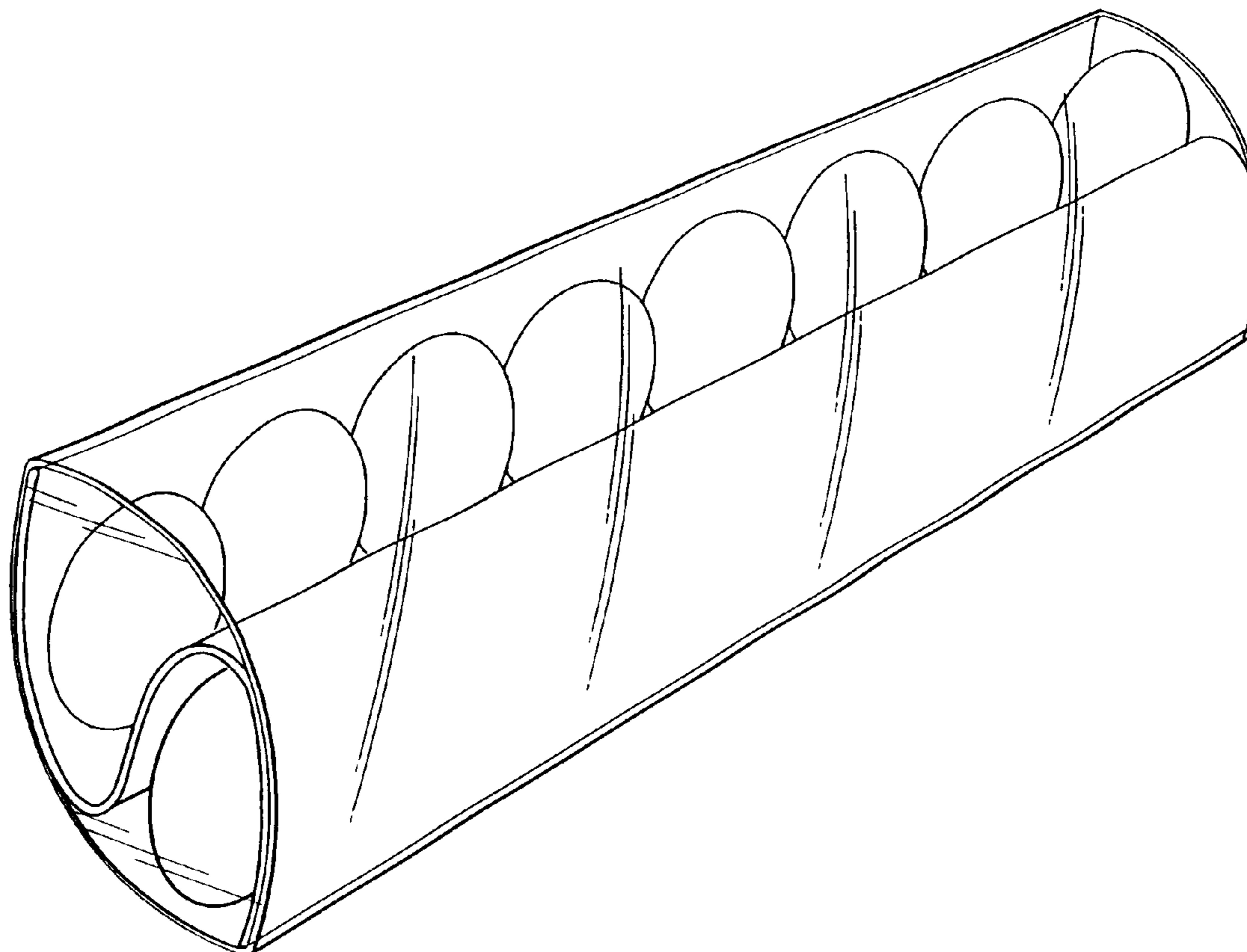
FIG. 3 is a rear view of FIG. 1.

FIG. 4 is a right side view of FIG. 1.

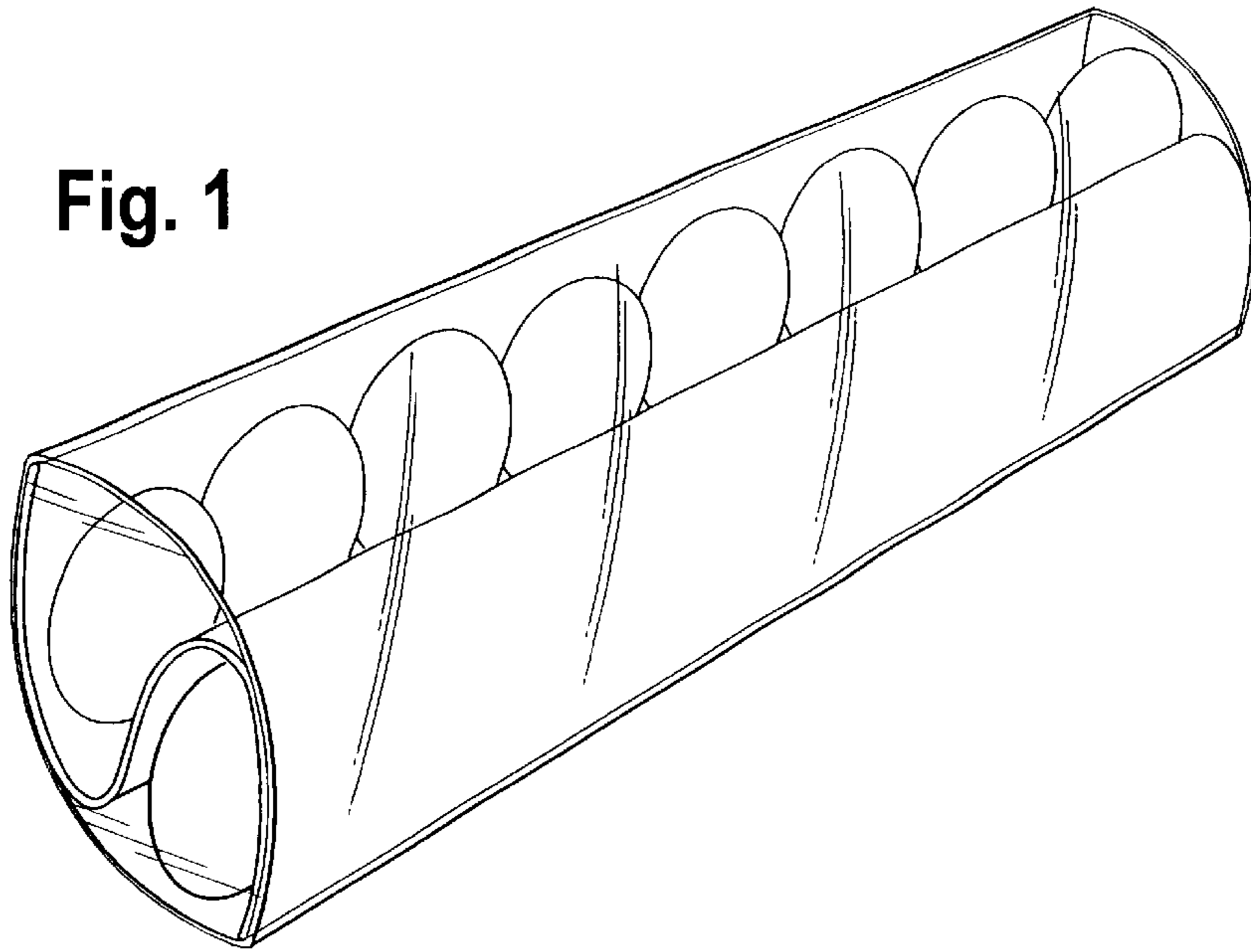
FIG. 5 is a left side view of FIG. 1; and,

FIG. 6 is a top view of FIG. 1.

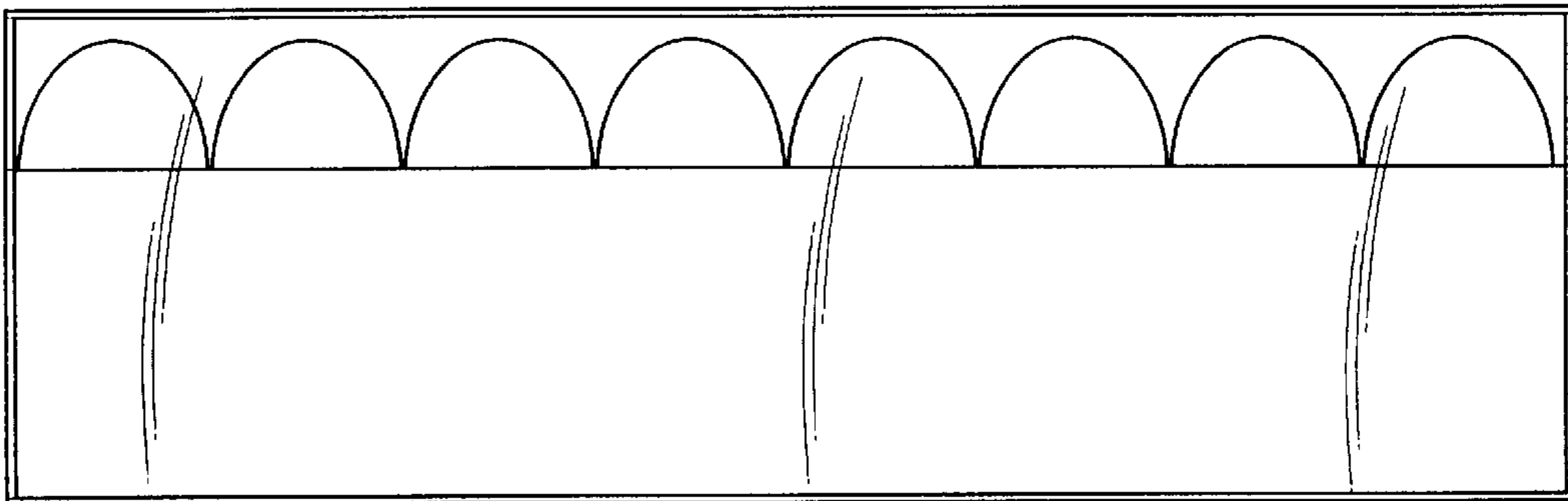
**1 Claim, 2 Drawing Sheets**



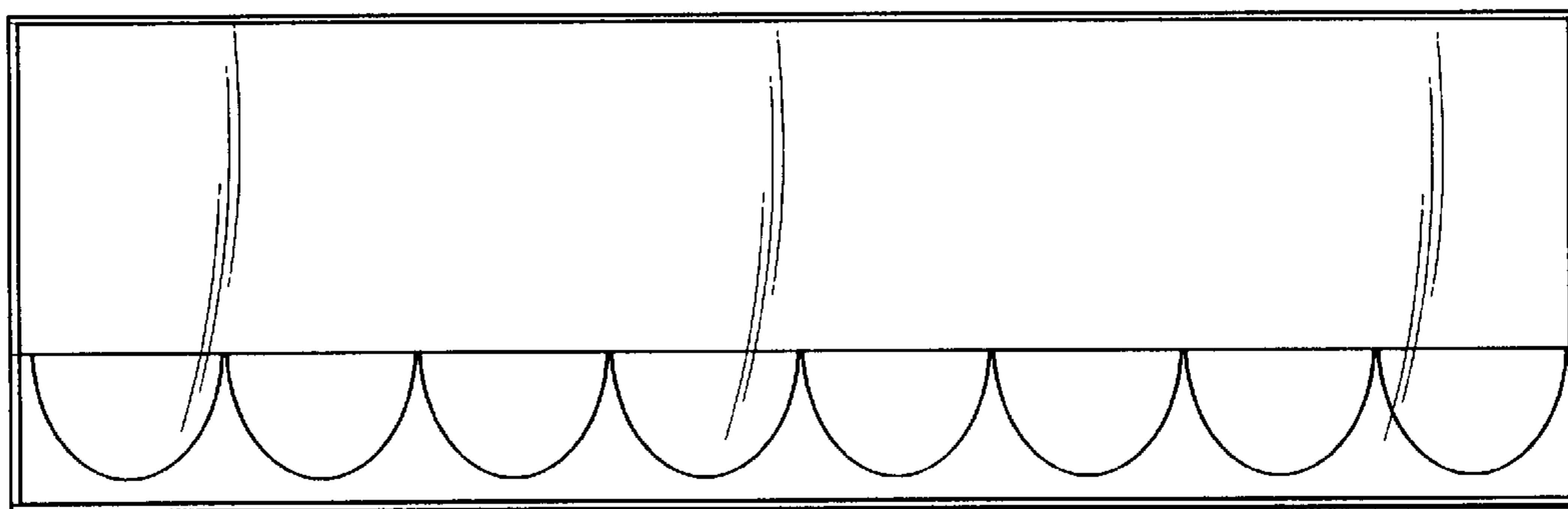
**Fig. 1**



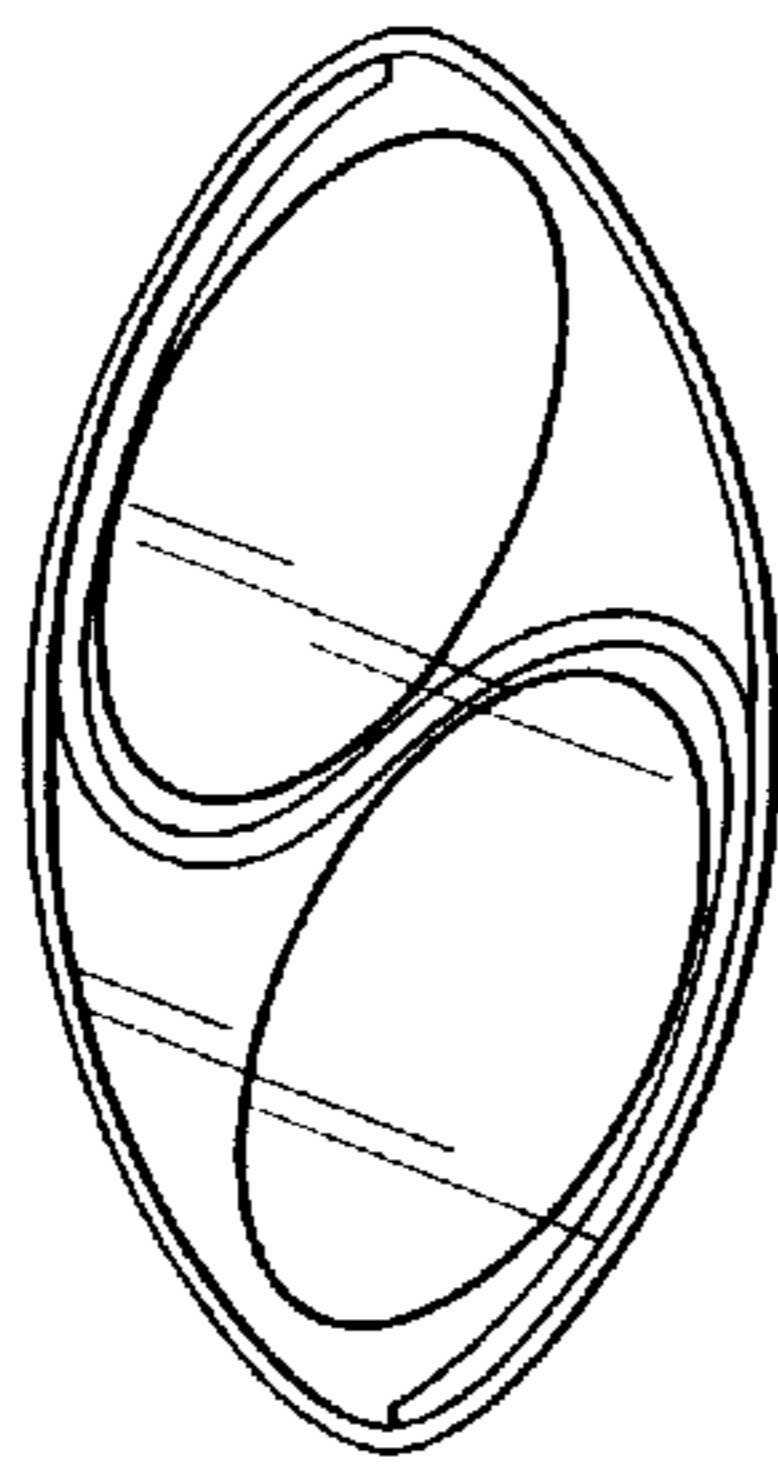
**Fig. 2**



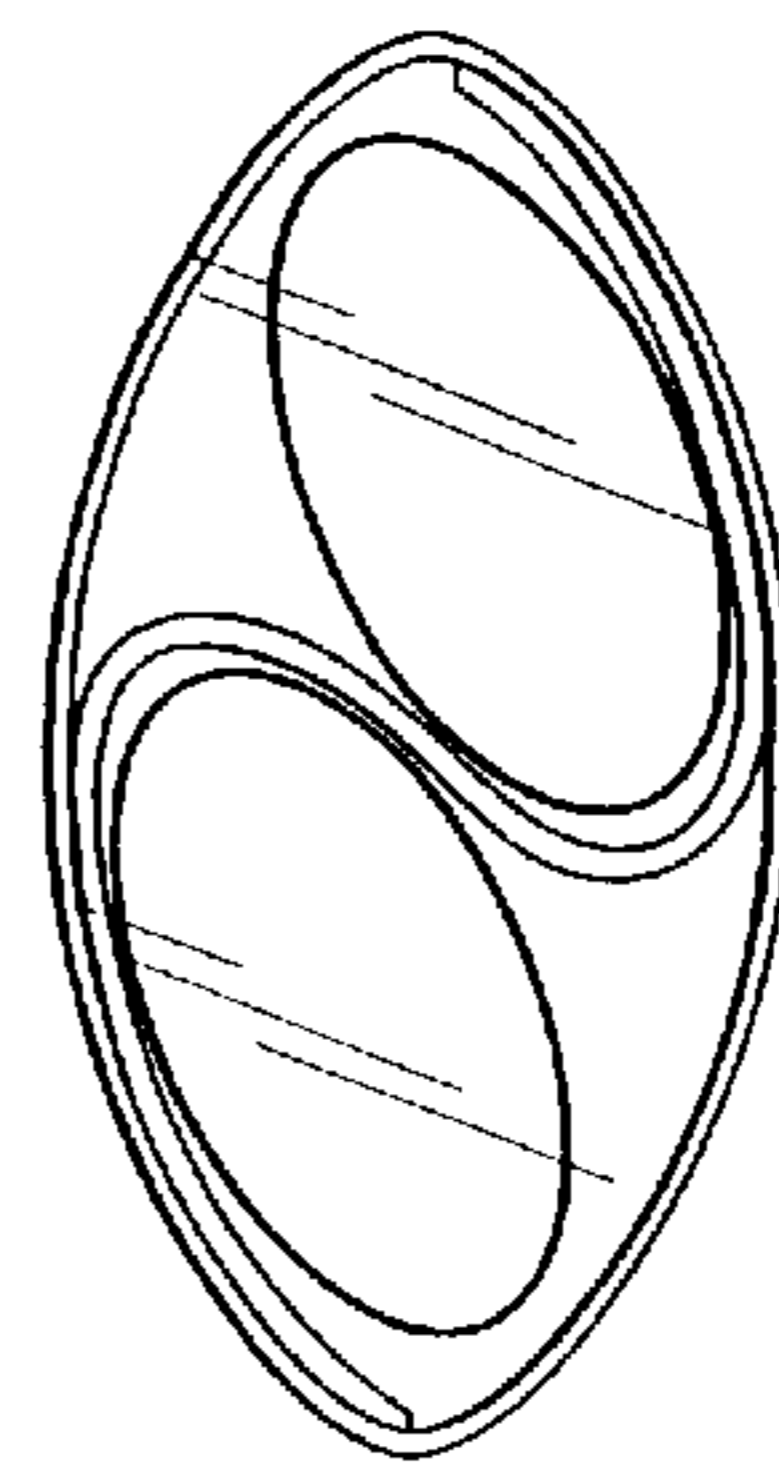
**Fig. 3**



**Fig. 4**



**Fig. 5**



**Fig. 6**

