

US00D525526S

(12) **United States Design Patent**
Abbott et al.

(10) **Patent No.:** **US D525,526 S**

(45) **Date of Patent:** **** Jul. 25, 2006**

(54) **CAP FOR A TUBULAR DISPENSER**

(75) Inventors: **Douglas A. Abbott**, Easton, PA (US);
Daniel L. King, Wantage, NJ (US)

(73) Assignee: **Pechiney Plastic Packaging, Inc.**,
Chicago, IL (US)

(**) Term: **14 Years**

(21) Appl. No.: **29/243,400**

(22) Filed: **Nov. 23, 2005**

Related U.S. Application Data

(63) Continuation of application No. 29/201,923, filed on Mar. 22, 2004, now abandoned.

(51) **LOC (8) Cl.** **09-07**

(52) **U.S. Cl.** **D9/449**

(58) **Field of Classification Search** D9/454,
D9/449, 447, 446, 442, 440, 435, 434; 222/556;
220/254.3; 215/235

See application file for complete search history.

(56) **References Cited**

U.S. PATENT DOCUMENTS

D183,424 S	8/1958	Goldberg	D58/26
3,244,272 A	* 4/1966	Beaman et al.	206/0.82
3,581,926 A	* 6/1971	Eberhard	215/330
D257,764 S	1/1981	Tajima	D9/399
D322,756 S	* 12/1991	Kipperman et al.	D9/446
D342,022 S	* 12/1993	Pritchard	D9/449
D343,823 S	* 2/1994	Potter	D9/435
D349,449 S	8/1994	Linner	D9/302
D350,691 S	9/1994	Simion	D9/306
D354,655 S	1/1995	Daenen et al.	D7/392.1
D357,865 S	5/1995	Hansen	D9/503
D358,760 S	5/1995	Sherman et al.	D9/302

D363,428 S	10/1995	Halm	D9/302
5,505,338 A	* 4/1996	Gueret	222/95
D392,879 S	3/1998	Couey	D9/302
D399,417 S	* 10/1998	Meausoone	D9/697
D405,354 S	2/1999	Meausoone	D9/302
D407,316 S	3/1999	Zaksenberg	D9/523
5,899,361 A	5/1999	Durliat et al.	222/92
D429,167 S	8/2000	LePage	D9/572
D429,629 S	8/2000	Kuzma et al.	D9/300
D430,802 S	9/2000	Adachi et al.	D9/302
D444,387 S	7/2001	Adachi et al.	D9/529
D449,521 S	10/2001	Pinkus et al.	D9/424
D457,426 S	5/2002	Montana	D9/420
D496,861 S	* 10/2004	Lovell	D9/435
D502,099 S	2/2005	Lovell	
D504,613 S	* 5/2005	Lovell	D9/449
D512,987 S	* 12/2005	Tsuge	D14/211

* cited by examiner

Primary Examiner—Robert M. Spear

Assistant Examiner—Susan Bennett Hattan

(74) *Attorney, Agent, or Firm*—Ohlandt, Greeley, Ruggiero & Perle, LLP

(57) **CLAIM**

The ornamental design for a cap for a tubular dispenser, as shown and described.

DESCRIPTION

FIG. 1 is a front view of a cap for a tubular dispenser according to the present invention;

FIG. 2 is a side view of the cap of FIG. 1;

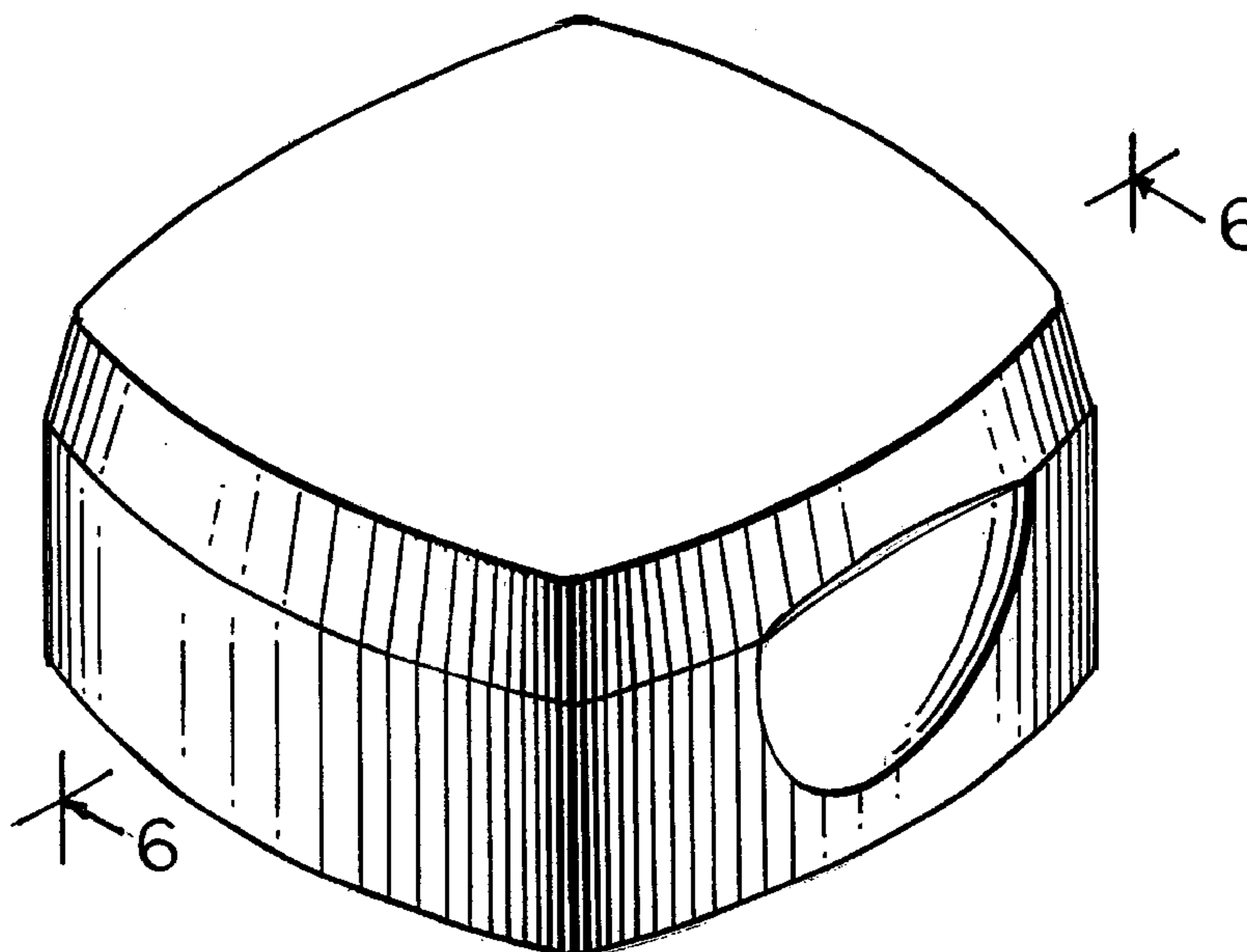
FIG. 3 is a top view of the cap of FIG. 1;

FIG. 4 is a rear view of the cap of FIG. 1; and,

FIG. 5 is a perspective view of the cap of FIG. 1.

The broken lines are for illustrative purposes only and form no part of the claimed design.

1 Claim, 2 Drawing Sheets



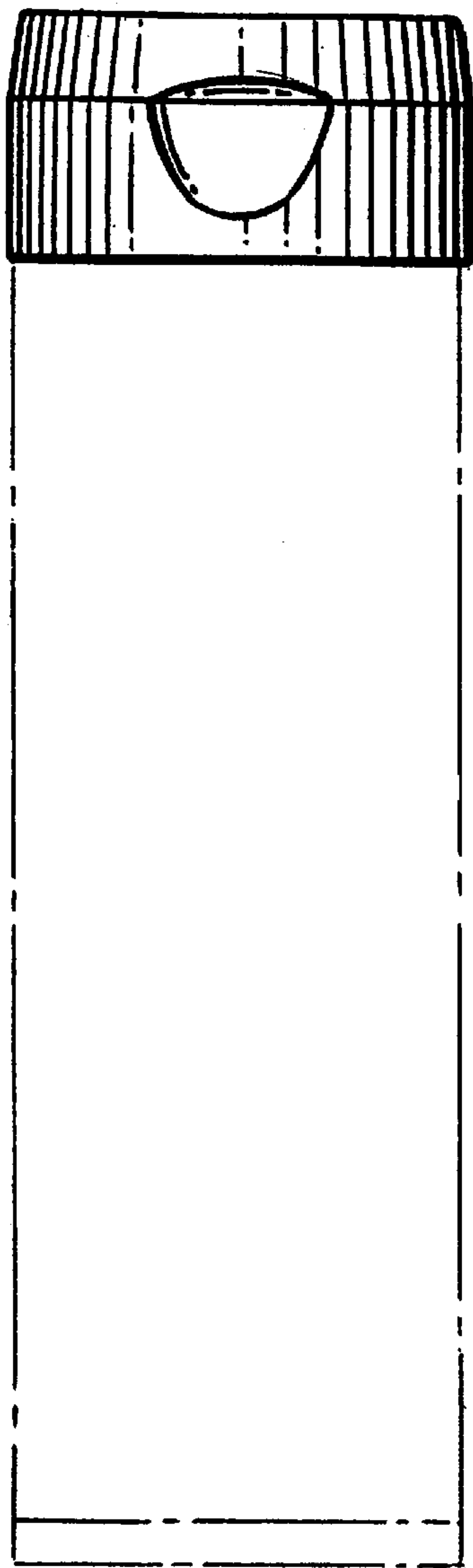


FIG. 1

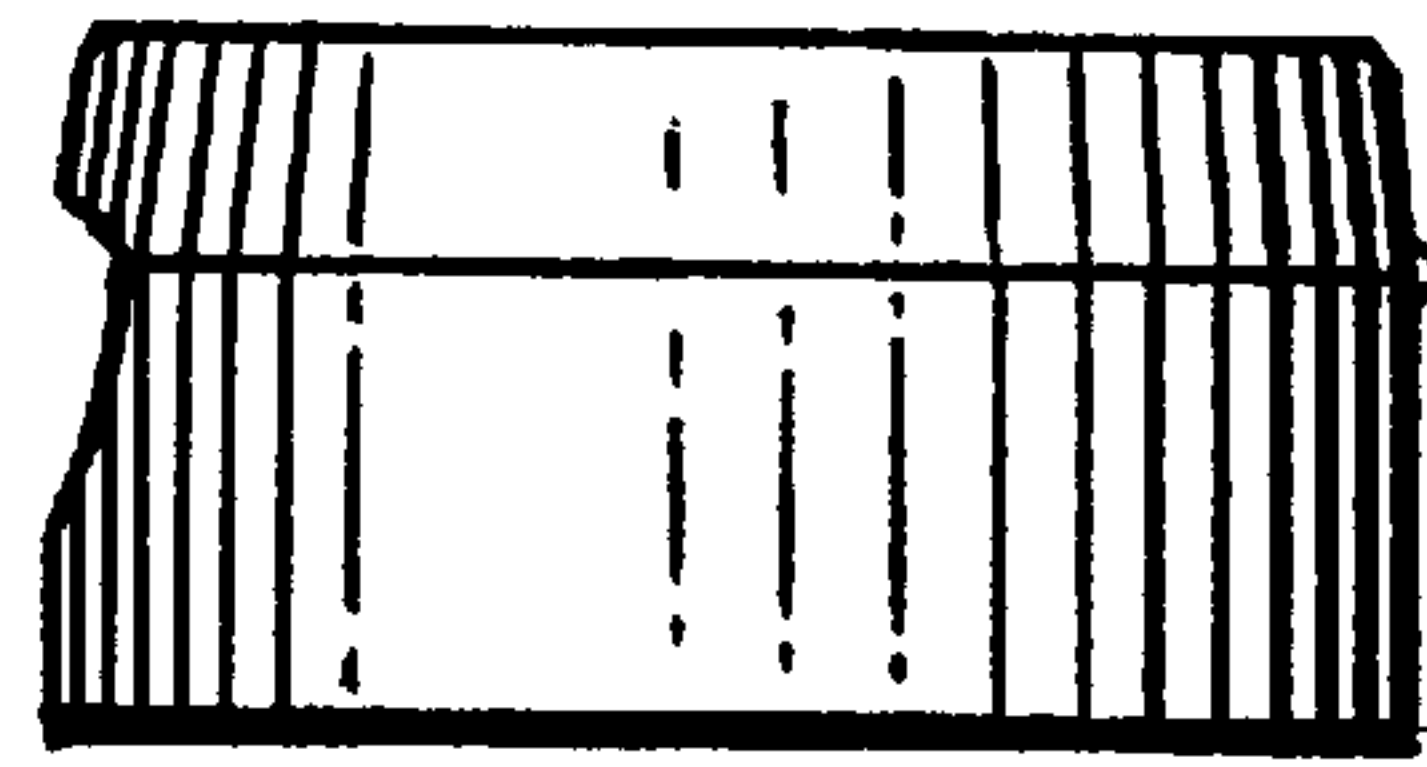


FIG. 2

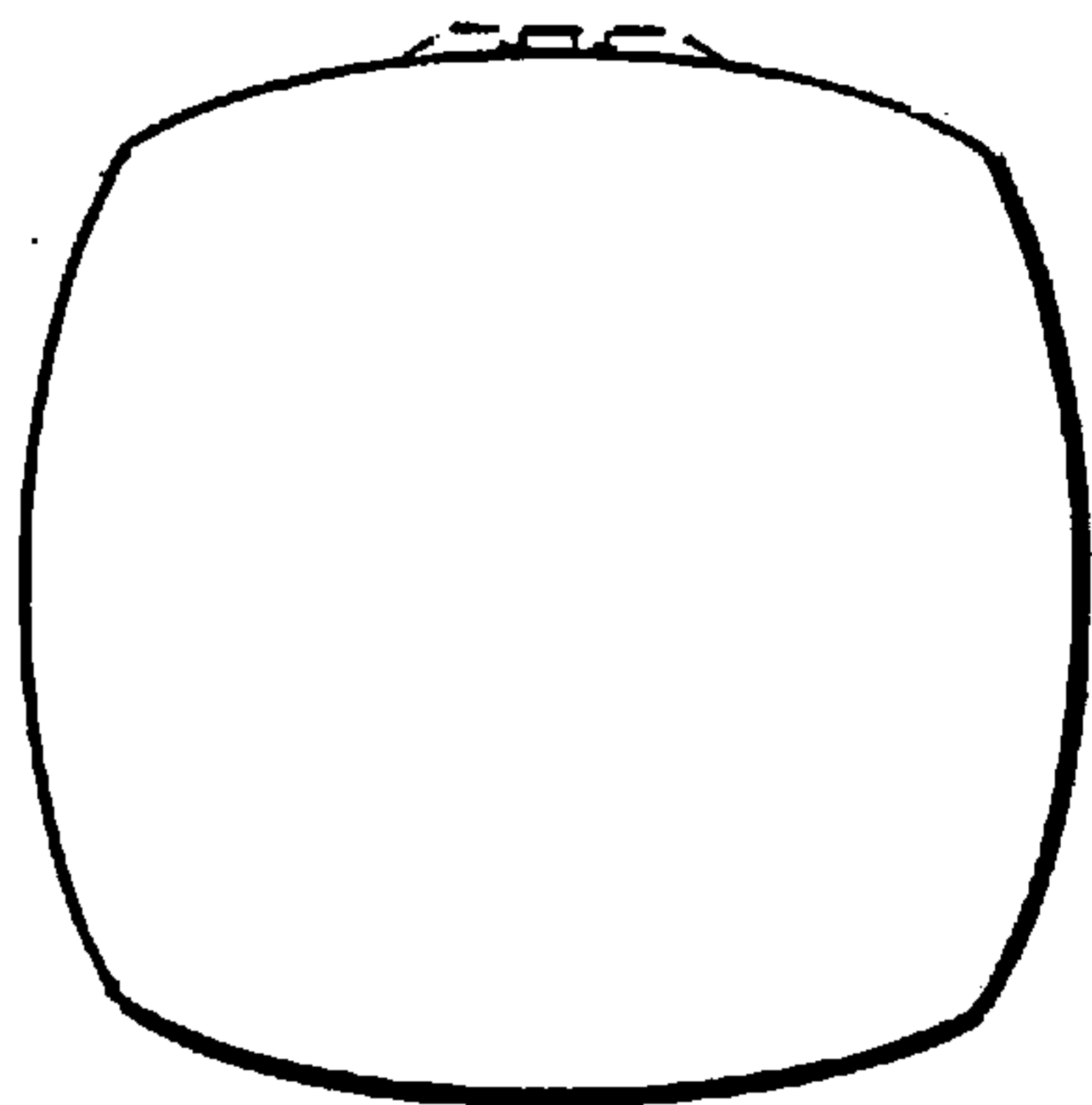


FIG. 3

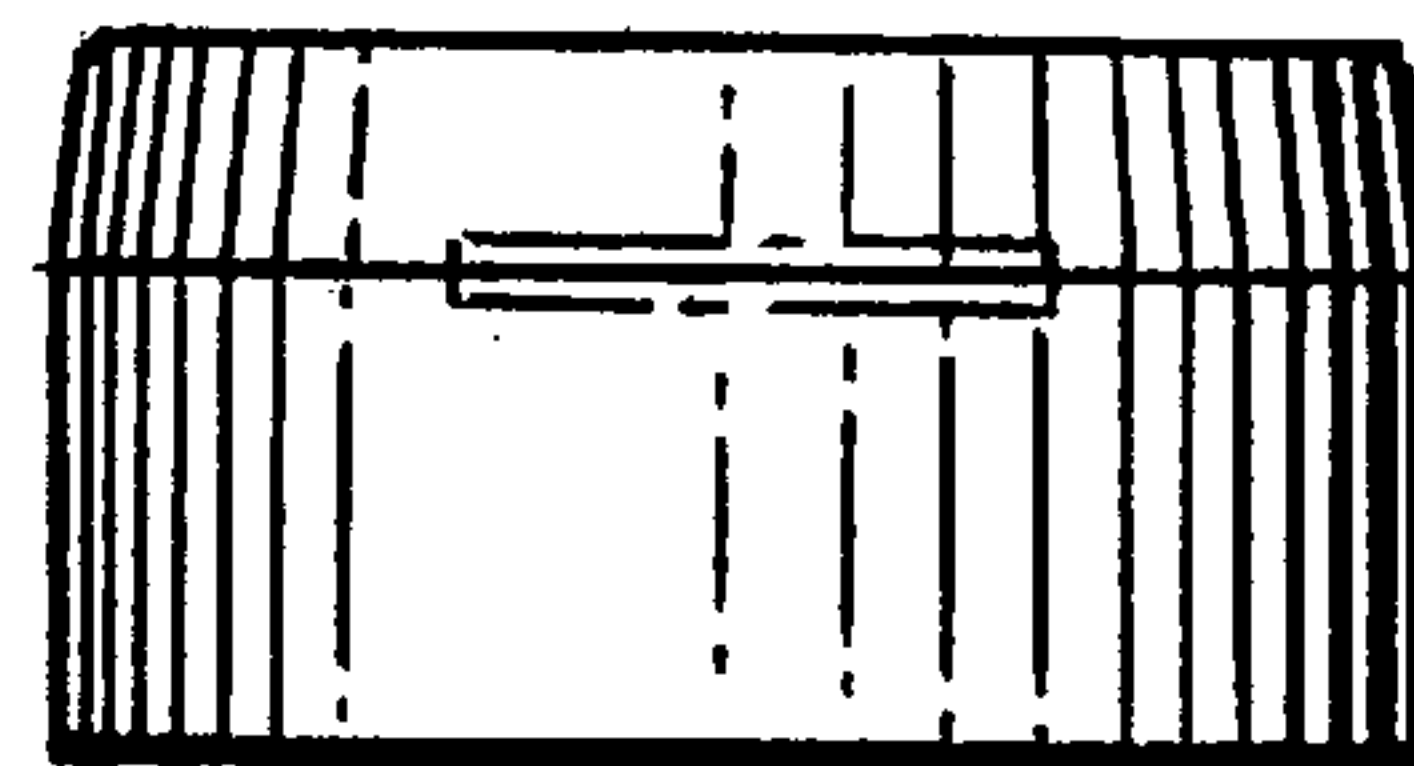


FIG. 4

FIG.5

