



US00D525519S

(12) **United States Design Patent** (10) **Patent No.:** **US D525,519 S**  
**Van Handel et al.** (45) **Date of Patent:** **\*\* Jul. 25, 2006**

(54) **LOCK DIAL**  
(75) Inventors: **Mark Van Handel**, Milwaukee, WI  
(US); **Glen P. Meekma**, Menomonee Falls, WI (US)  
(73) Assignee: **Master Lock Company**, Oak Creek, WI (US)  
(\*\*) Term: **14 Years**

3,903,718 A 9/1975 Fish  
3,967,477 A 7/1976 Harrington et al.  
4,073,518 A 2/1978 Goodwin  
4,104,896 A 8/1978 Hahn  
D251,965 S \* 5/1979 Uyeda ..... D8/343  
4,325,240 A 4/1982 Gable  
4,748,833 A \* 6/1988 Nagasawa ..... 70/214  
4,799,371 A \* 1/1989 Duncan ..... 70/214  
4,901,545 A 2/1990 Bacon et al.  
4,936,122 A 6/1990 Osada

(Continued)

(21) Appl. No.: **29/226,424**

(22) Filed: **Mar. 29, 2005**

(51) **LOC (8) Cl.** ..... **08-07**

(52) **U.S. Cl.** ..... **D8/343**

(58) **Field of Classification Search** ..... D8/330,  
D8/331, 338, 334, 341, 343, 300, 321; 70/14,  
70/21, 22, 23, 51, 52, 258, 286, 431, 334,  
70/332, 333 R, 442-446, 333 A

See application file for complete search history.

FOREIGN PATENT DOCUMENTS

EP 609 639 A1 8/1994  
EP 902 138 B1 3/1999  
EP 918 122 A2 5/1999  
GB 944 353 12/1963  
GB 2 202 573 A 9/1988  
GB 2 206 642 A 1/1989

OTHER PUBLICATIONS

International Search Report from PCT/US05/002938.

*Primary Examiner*—Prabhakar Deshmukh

(74) *Attorney, Agent, or Firm*—Calfee, Halter & Griswold LLP

(56) **References Cited**

U.S. PATENT DOCUMENTS

1,362,417 A 12/1920 Hammer  
1,748,255 A 2/1930 Tibbetts  
1,909,393 A 5/1933 Diesel  
1,909,453 A 5/1933 Brown, 3D  
1,937,165 A 11/1933 Piagneri  
2,002,453 A 5/1935 North  
2,035,781 A 3/1936 Bell  
2,047,795 A 7/1936 North  
2,110,094 A 3/1938 Pauloski et al.  
2,168,621 A 8/1939 Lane et al.  
2,224,875 A 12/1940 Machinist  
2,251,145 A 7/1941 Machinist  
2,424,396 A 7/1947 Heyer  
2,481,099 A 9/1949 Formo et al.  
2,690,664 A \* 10/1954 Miller ..... 70/333 R  
2,728,215 A \* 12/1955 Bremer ..... 70/332  
3,353,383 A 11/1967 Fish  
3,383,886 A 5/1968 Hermann  
3,395,557 A 8/1968 Berkowitz  
3,529,454 A 9/1970 Fish  
3,572,069 A 3/1971 Junkunc

(57) **CLAIM**

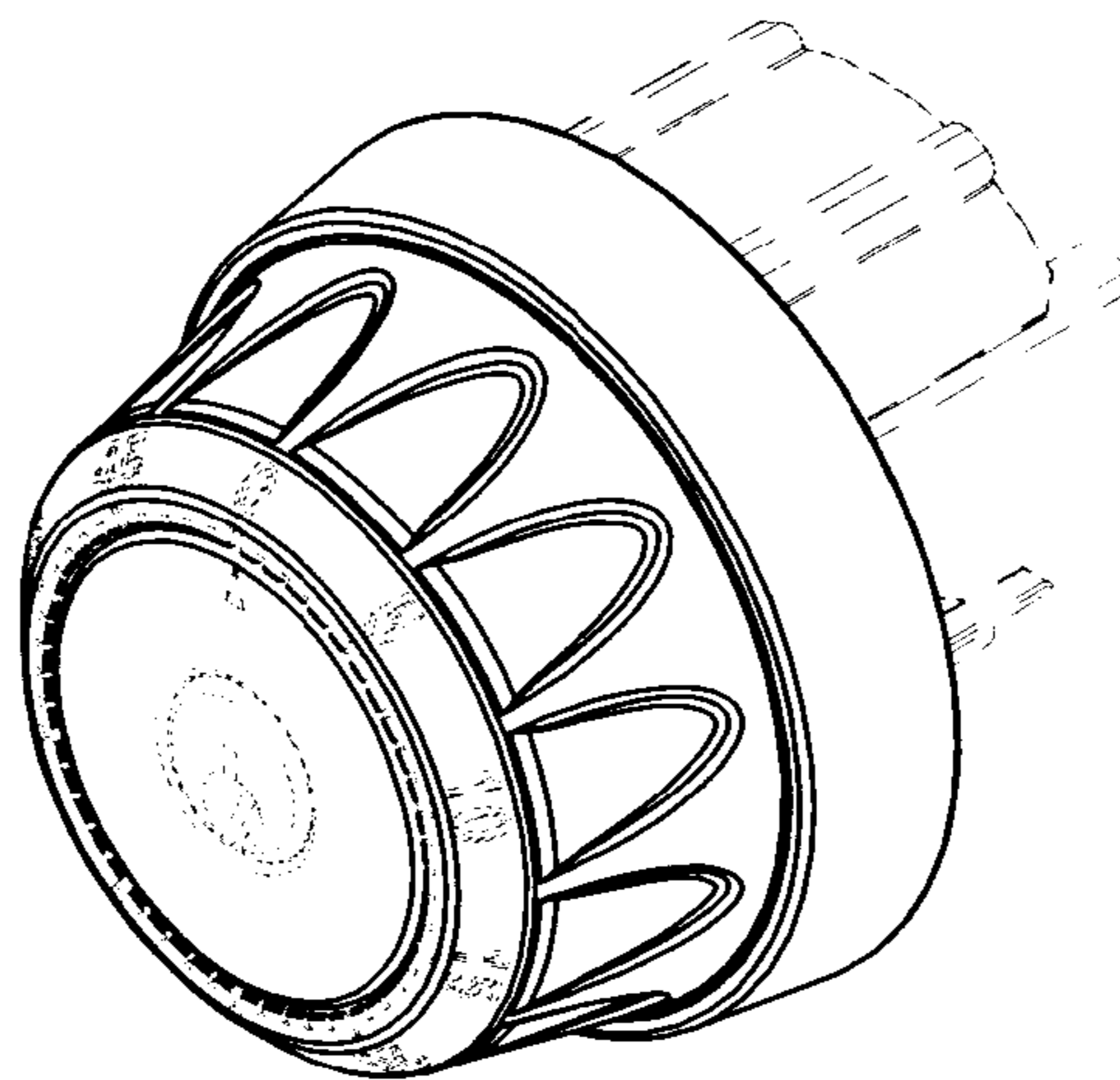
The ornamental design for a lock dial, as shown and described.

**DESCRIPTION**

FIG. 1 is a top view of the lock dial of the present invention; FIG. 2 is a front view of the lock dial shown in FIG. 1; FIG. 3 is a bottom view of the lock dial shown in FIG. 1; FIG. 4 is a side view of the lock dial shown in FIG. 1; FIG. 5 is a side view of the lock dial shown in FIG. 1; FIG. 6 is a back view of the lock dial shown in FIG. 1; and, FIG. 7 is a perspective view of the lock dial shown in FIG. 1.

The portions of the Figures shown in phantom lines are not part of the claimed design but are for illustration only.

**1 Claim, 2 Drawing Sheets**



# US D525,519 S

Page 2

---

## U.S. PATENT DOCUMENTS

D312,957 S	12/1990	Huang			
5,113,675 A	5/1992	Uyeda			
5,475,996 A	12/1995	Chen			
D380,136 S	6/1997	Denzer, Jr.			
5,794,466 A	8/1998	Hungerford et al.			
D418,392 S	* 1/2000	Kelley .....	D8/334		
D451,002 S	11/2001	Lai			
6,401,505 B1	6/2002	Kajuch et al.			
D459,971 S	* 7/2002	Quan et al. ....	D8/343		
6,516,641 B1	2/2003	Segawa			
D473,446 S	* 4/2003	Quan et al. ....	D8/343		
6,539,761 B1	4/2003	Yang			
6,550,296 B1	4/2003	Segawa			
				6,598,434 B1	7/2003 Yang
				6,619,083 B1	9/2003 Hartel et al.
				6,679,088 B1	1/2004 Hartel et al.
				6,694,786 B1	2/2004 Gotou et al.
				6,708,534 B1	3/2004 Ruan
				6,708,538 B1	3/2004 Walby
				6,722,169 B1	4/2004 Segawa
				6,732,664 B1	5/2004 Worrall
				D497,792 S	* 11/2004 Haas .....
				D500,949 S	* 1/2005 Handel et al. ....
				2003/0136160 A1	7/2003 Segawa et al.
				2004/0011098 A1	1/2004 Yang

\* cited by examiner

FIG. 1

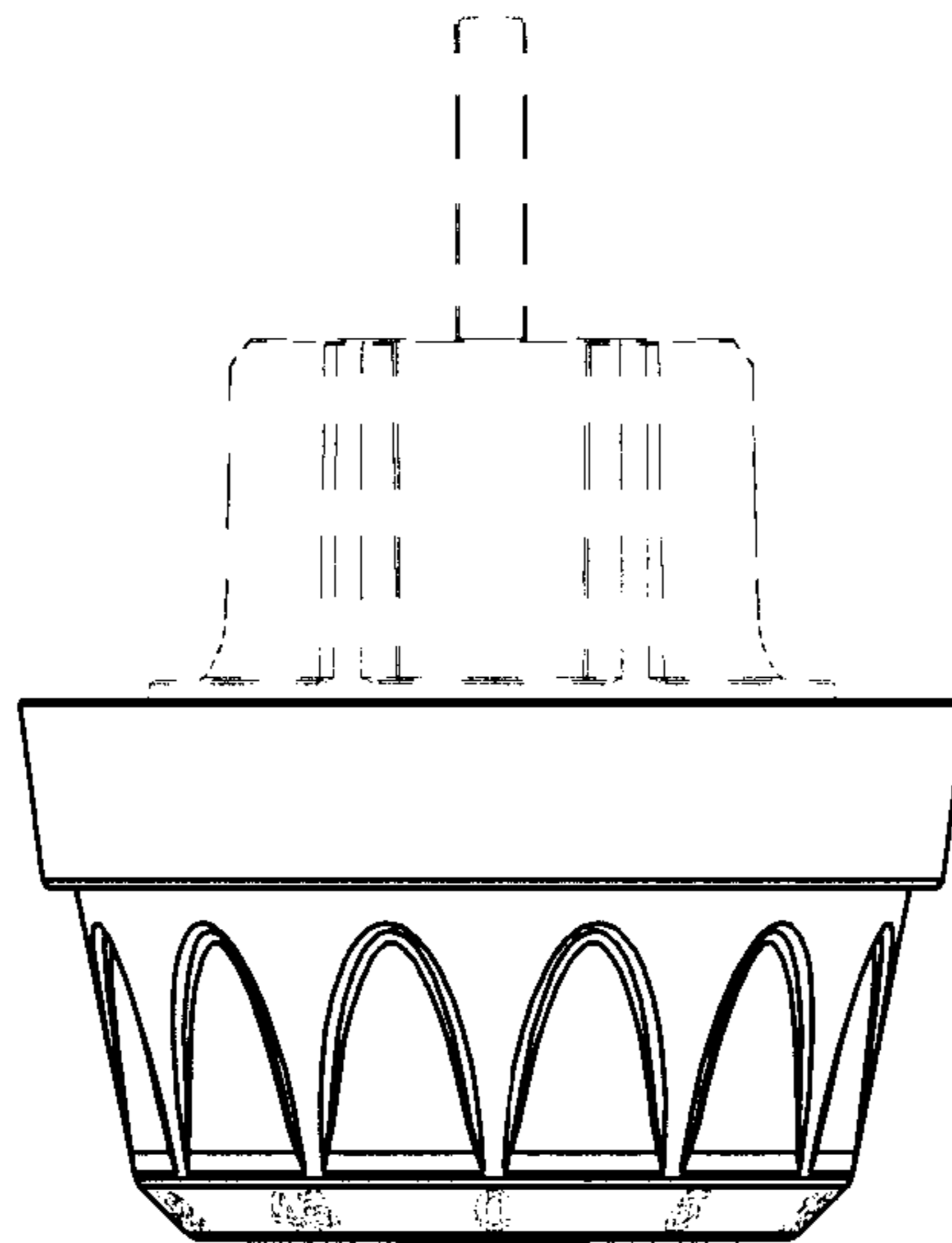


FIG. 2

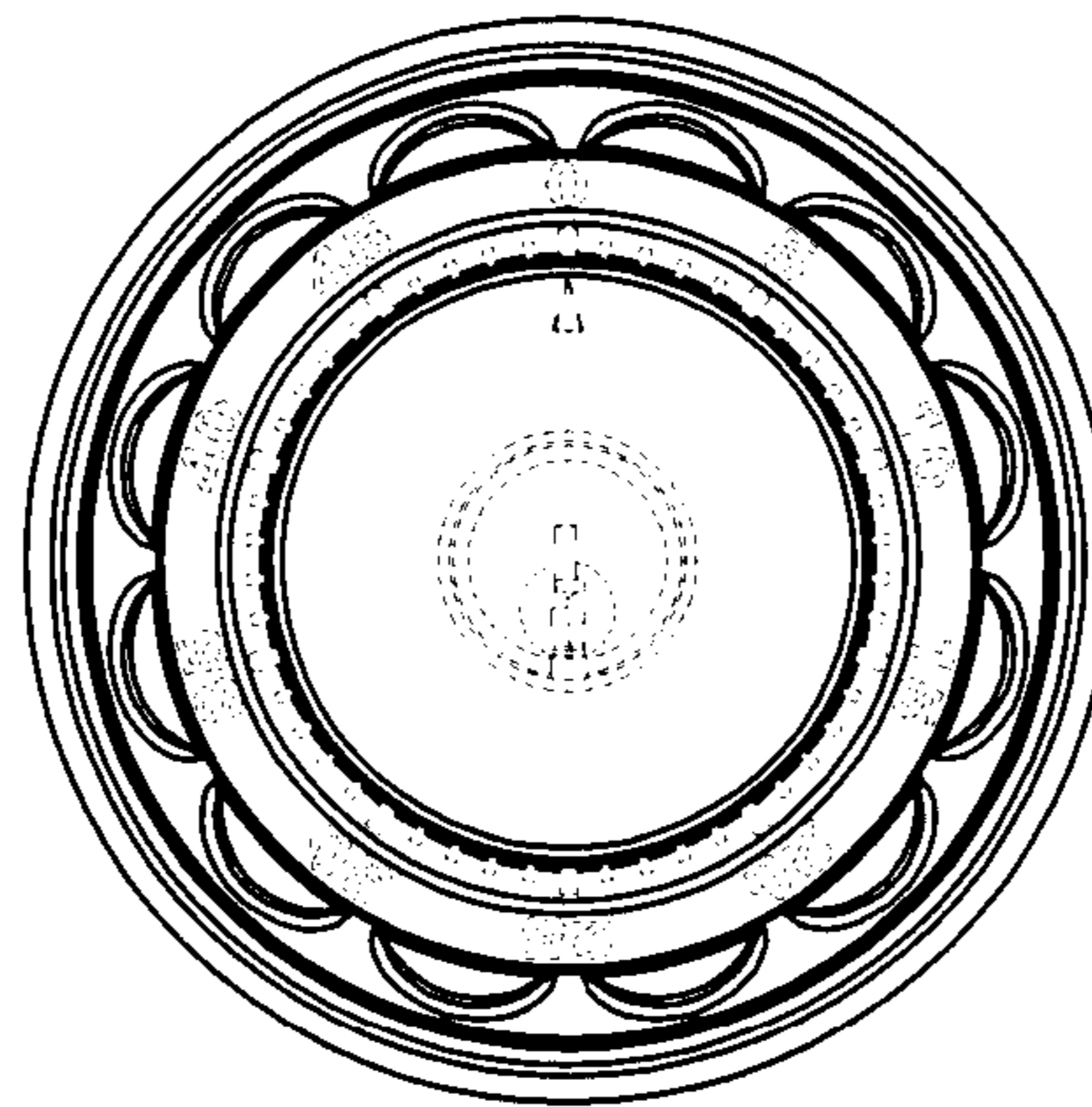
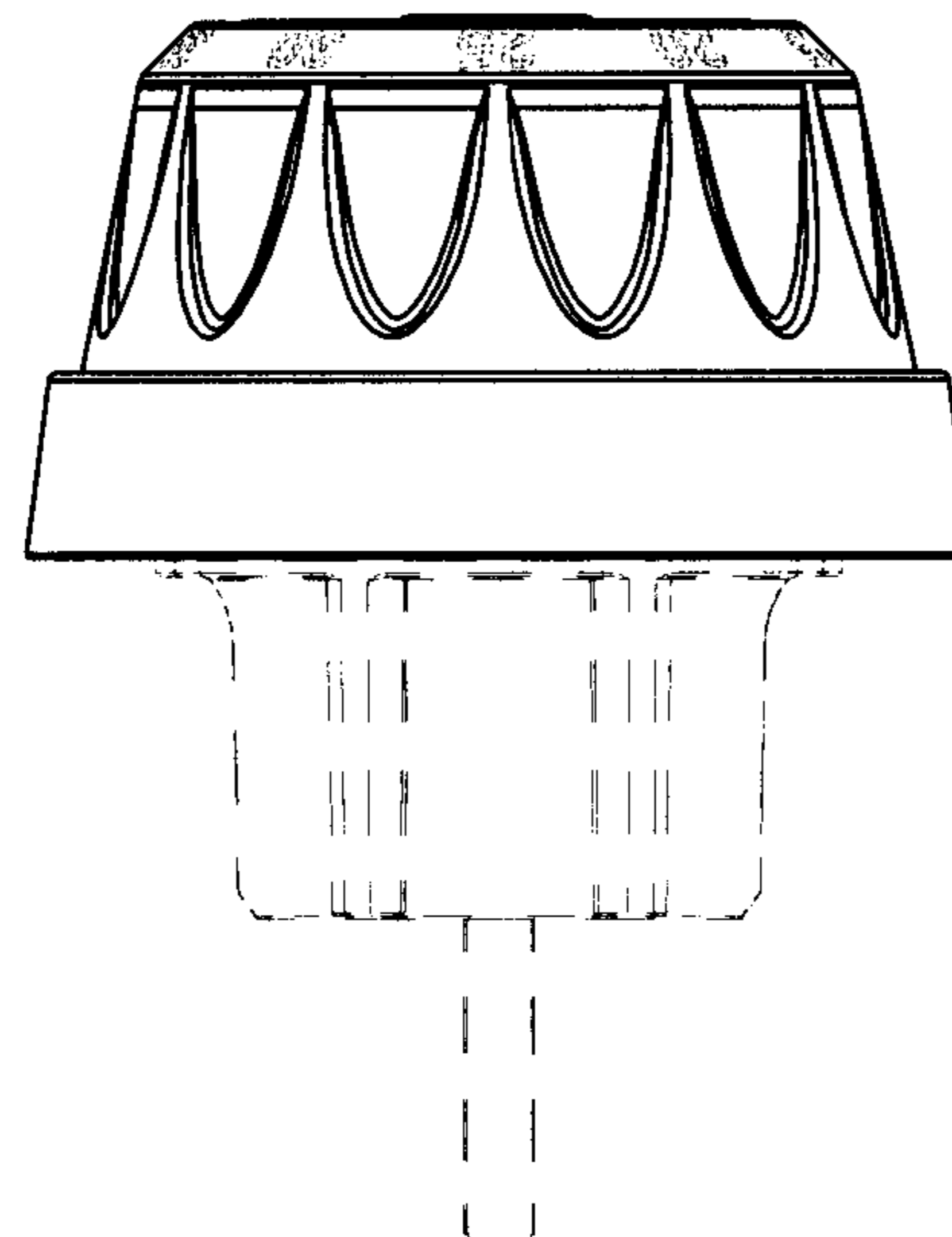


FIG. 3



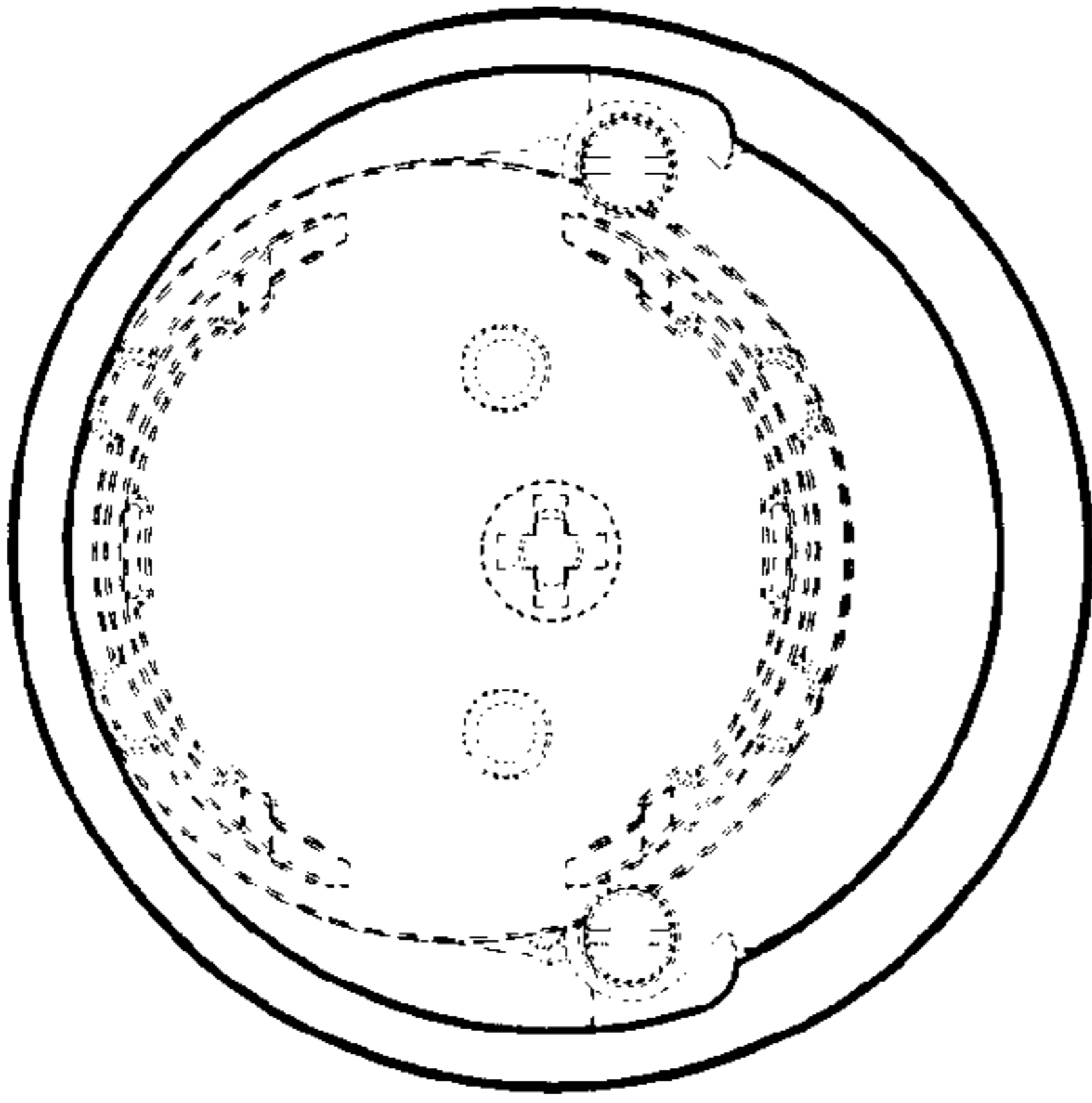


FIG. 6

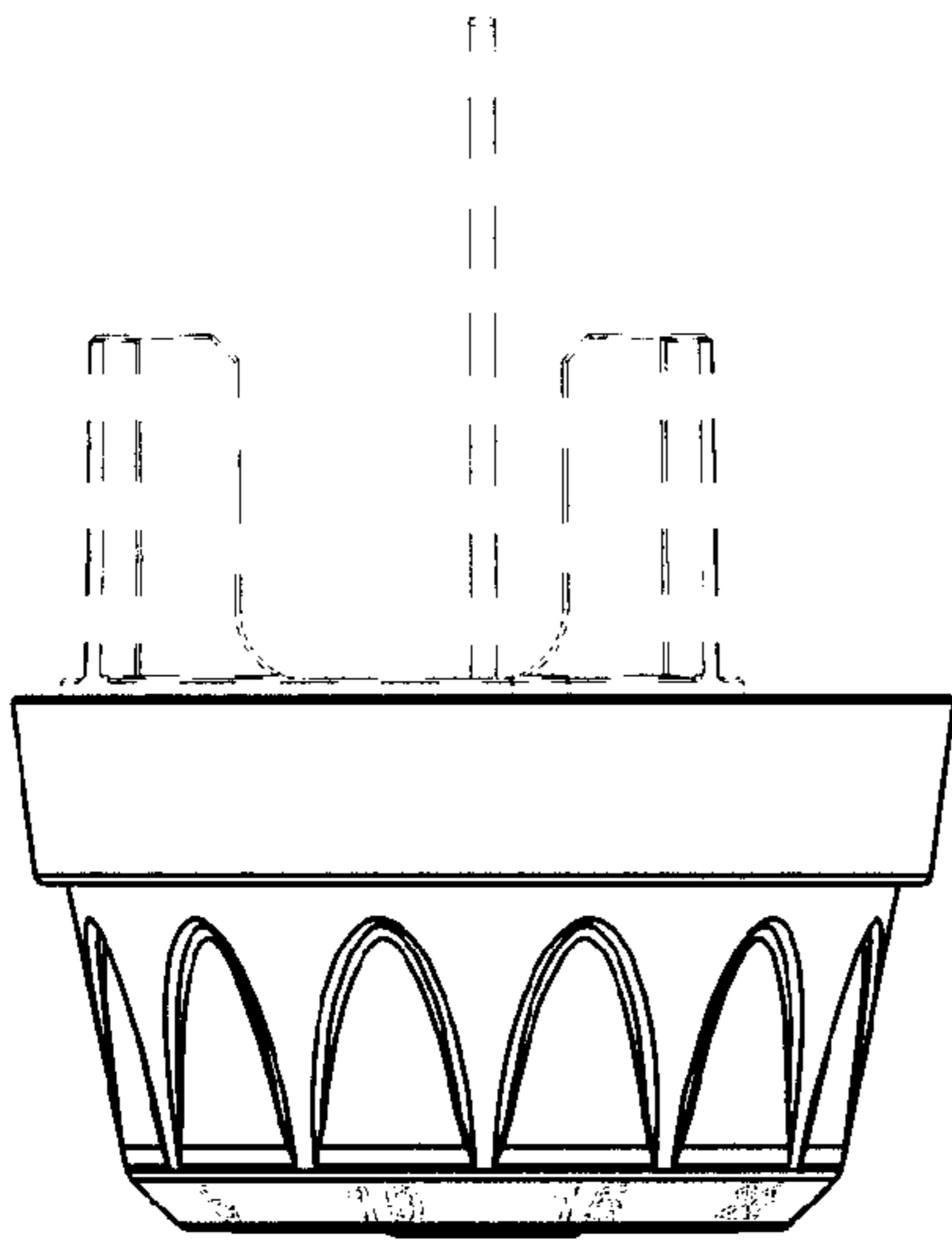


FIG. 5

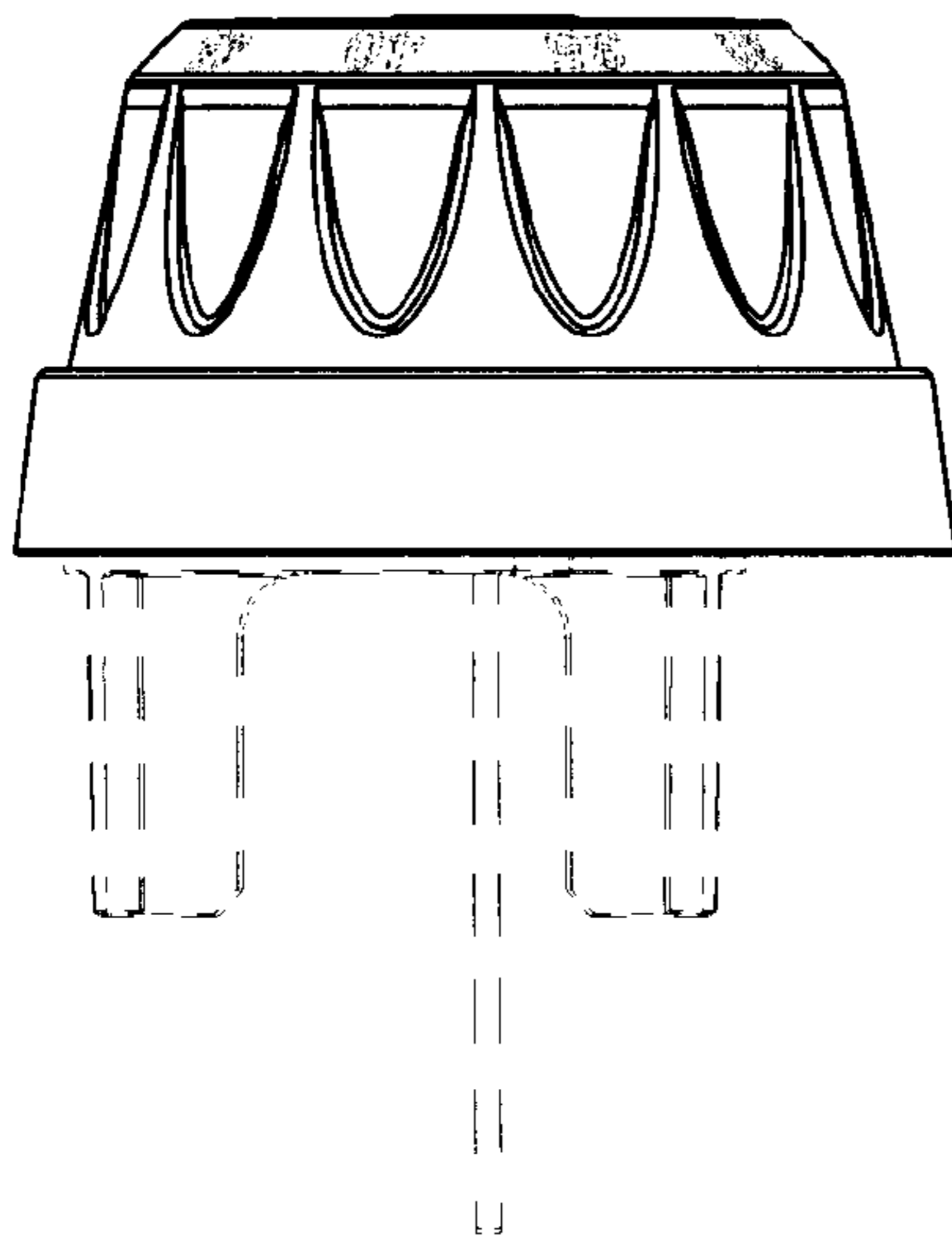


FIG. 4

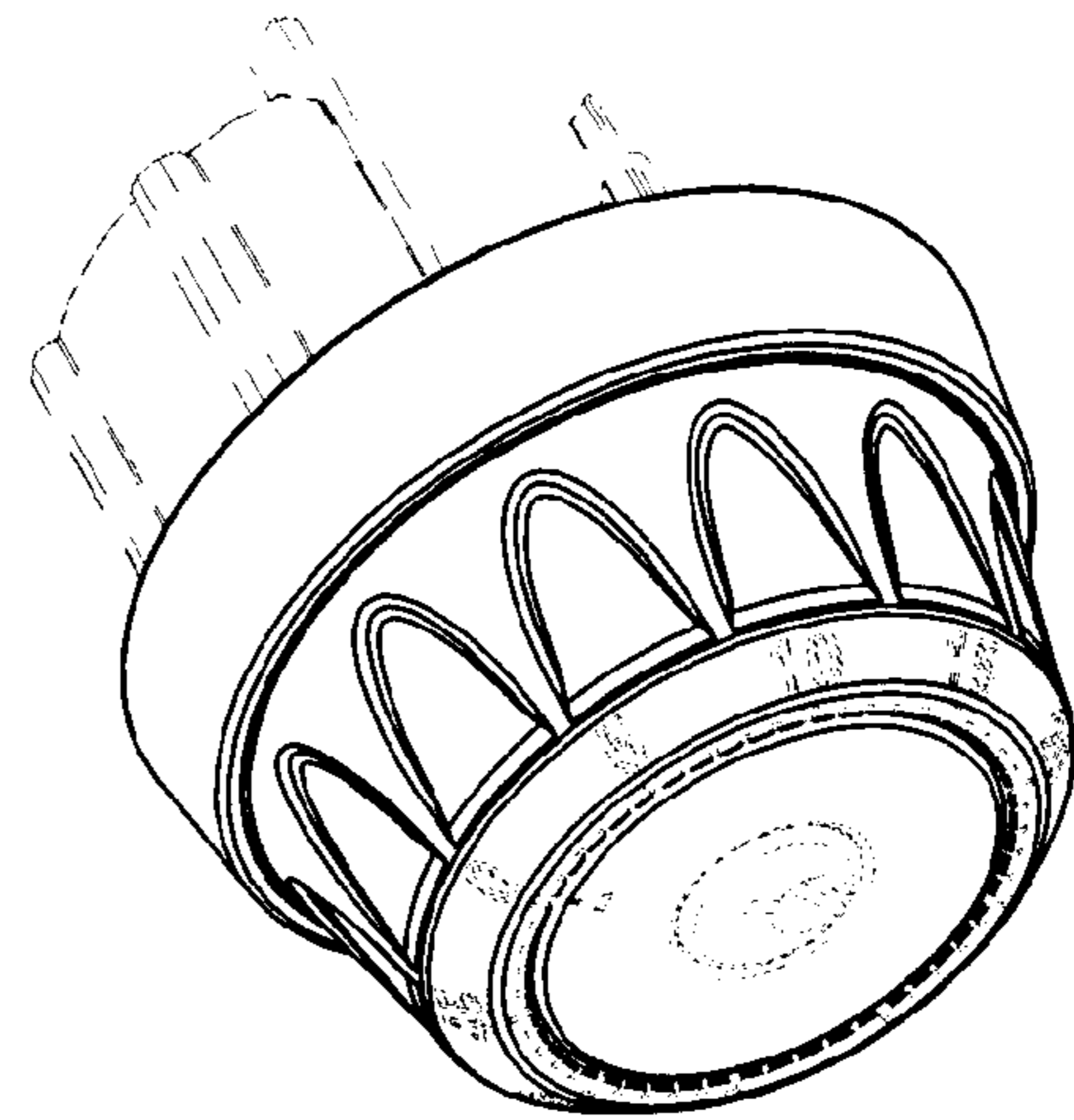


FIG. 7