

US00D525518S

(12) **United States Design Patent**
Baldwin

(10) **Patent No.:** **US D525,518 S**

(45) **Date of Patent:** **** Jul. 25, 2006**

(54) **APPLIANCE KNOB**

(75) Inventor: **Mark W. Baldwin**, Saint Joseph, MI
(US)

(73) Assignee: **Whirlpool Corporation**, Benton
Harbor, MI (US)

(**) Term: **14 Years**

(21) Appl. No.: **29/233,961**

(22) Filed: **Jul. 12, 2005**

(51) **LOC (8) Cl.** **08-06**

(52) **U.S. Cl.** **D8/310**

(58) **Field of Classification Search** D8/300,
D8/307, 310, 311, 312, DIG. 2; 116/309,
116/311-312, 315, 319, 320; 74/501.6, 553;
D7/402, 405; 200/318, 336; 411/509, 913
See application file for complete search history.

(56) **References Cited**

U.S. PATENT DOCUMENTS

D198,028 S * 4/1964 Collins, Jr. D8/311
3,303,717 A * 2/1967 Valenti 74/553

D208,918 S * 10/1967 Dole D8/311
4,409,861 A * 10/1983 Sakurai 74/501.6
D400,778 S * 11/1998 Holbrook, Jr. D8/311
D504,300 S * 4/2005 Chen et al. D8/310

* cited by examiner

Primary Examiner—Paula A. Greene

(74) *Attorney, Agent, or Firm*—Clifton G. Green; Robert O.
Rice; John F. Colligan

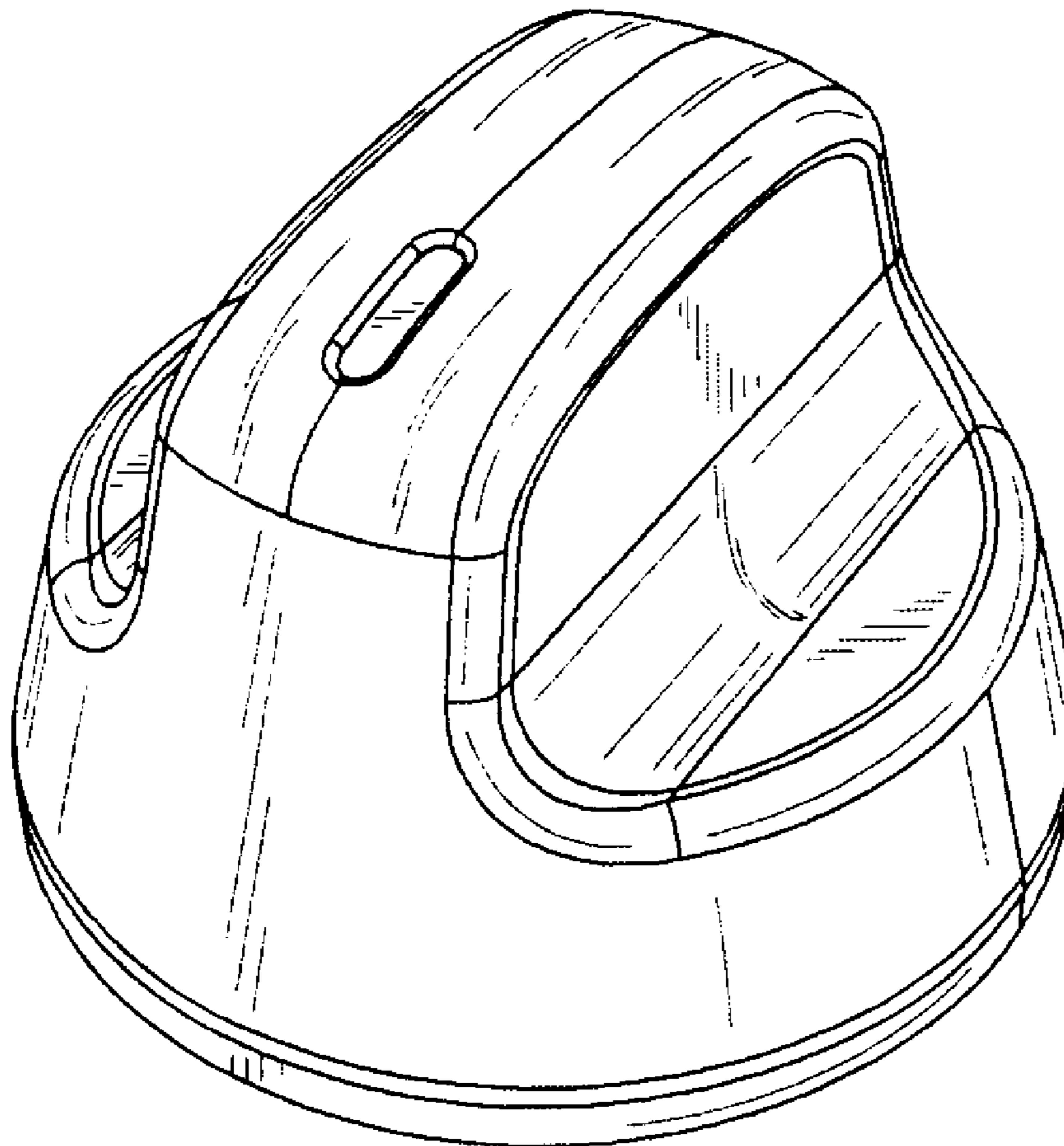
(57) **CLAIM**

The ornamental design for an appliance knob, as shown and
described.

DESCRIPTION

FIG. 1 is a front perspective view of the design of the
appliance knob;
FIG. 2 is a top plan view thereof;
FIG. 3 is a right side elevational view with the left side being
a mirror image thereof; and,
FIG. 4 is a front elevational view thereof.
The broken lines shown are for illustrative purposes only
and form no part of the design claimed.

1 Claim, 1 Drawing Sheet



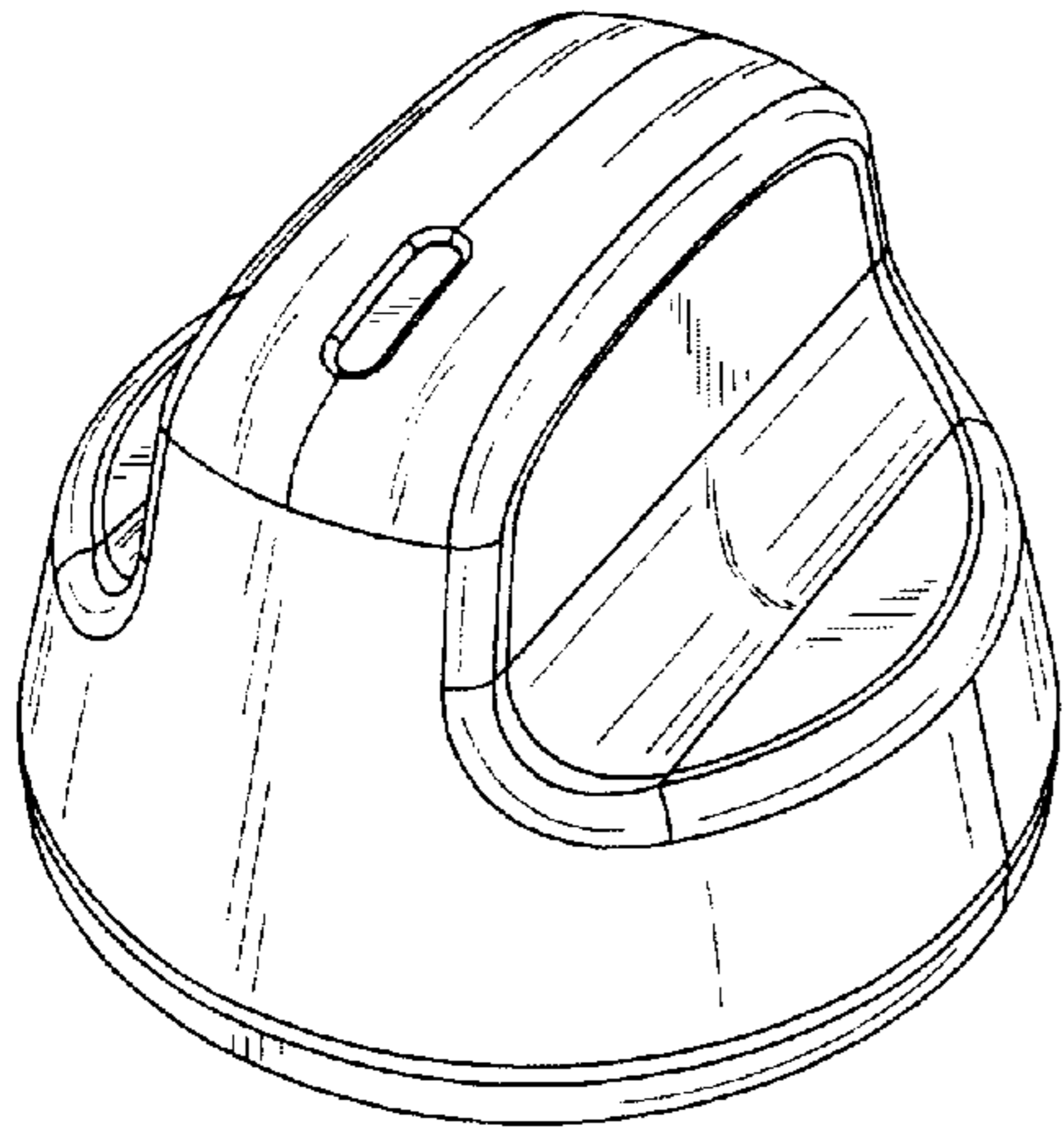


Fig. 1

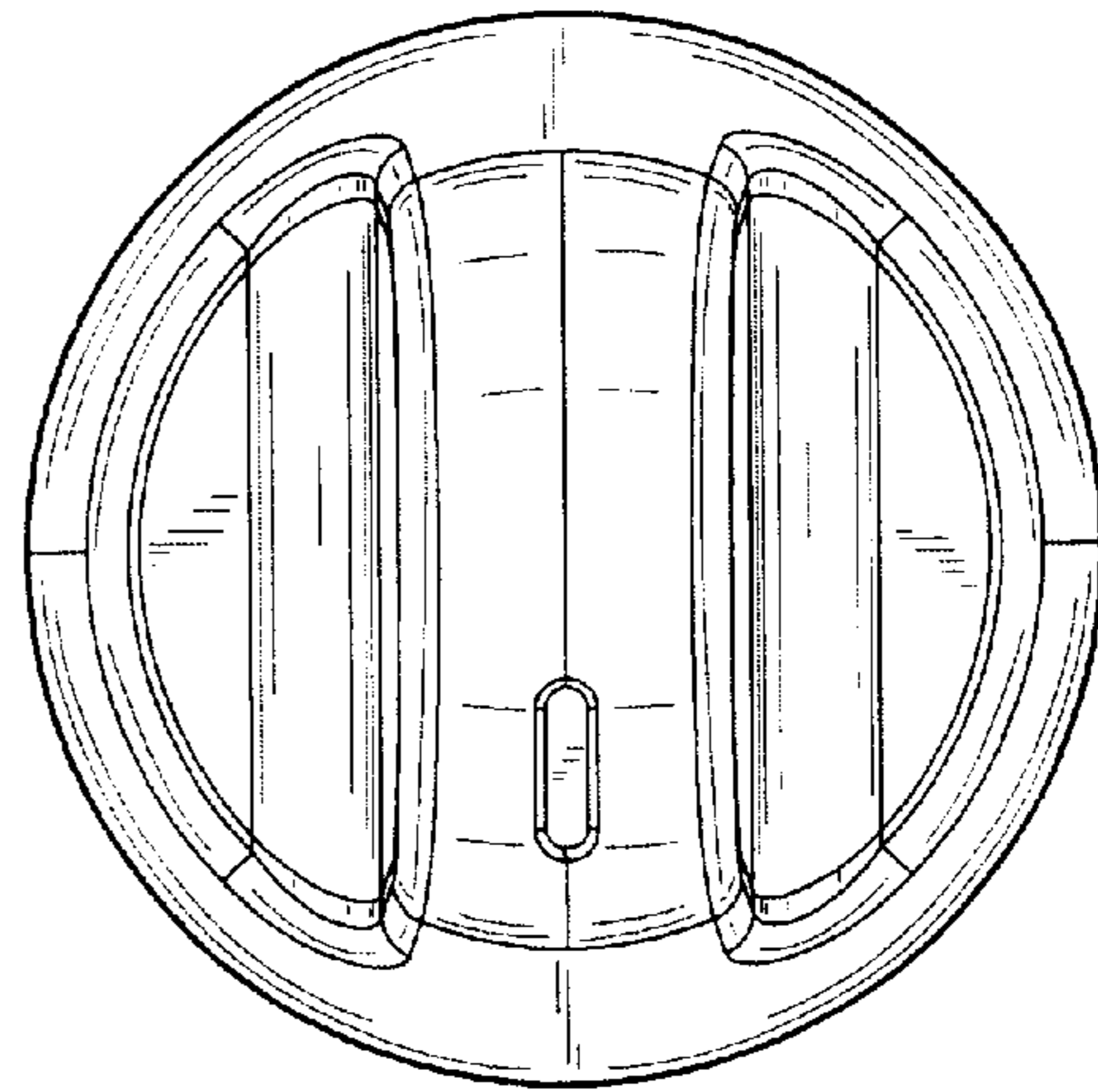


Fig. 2

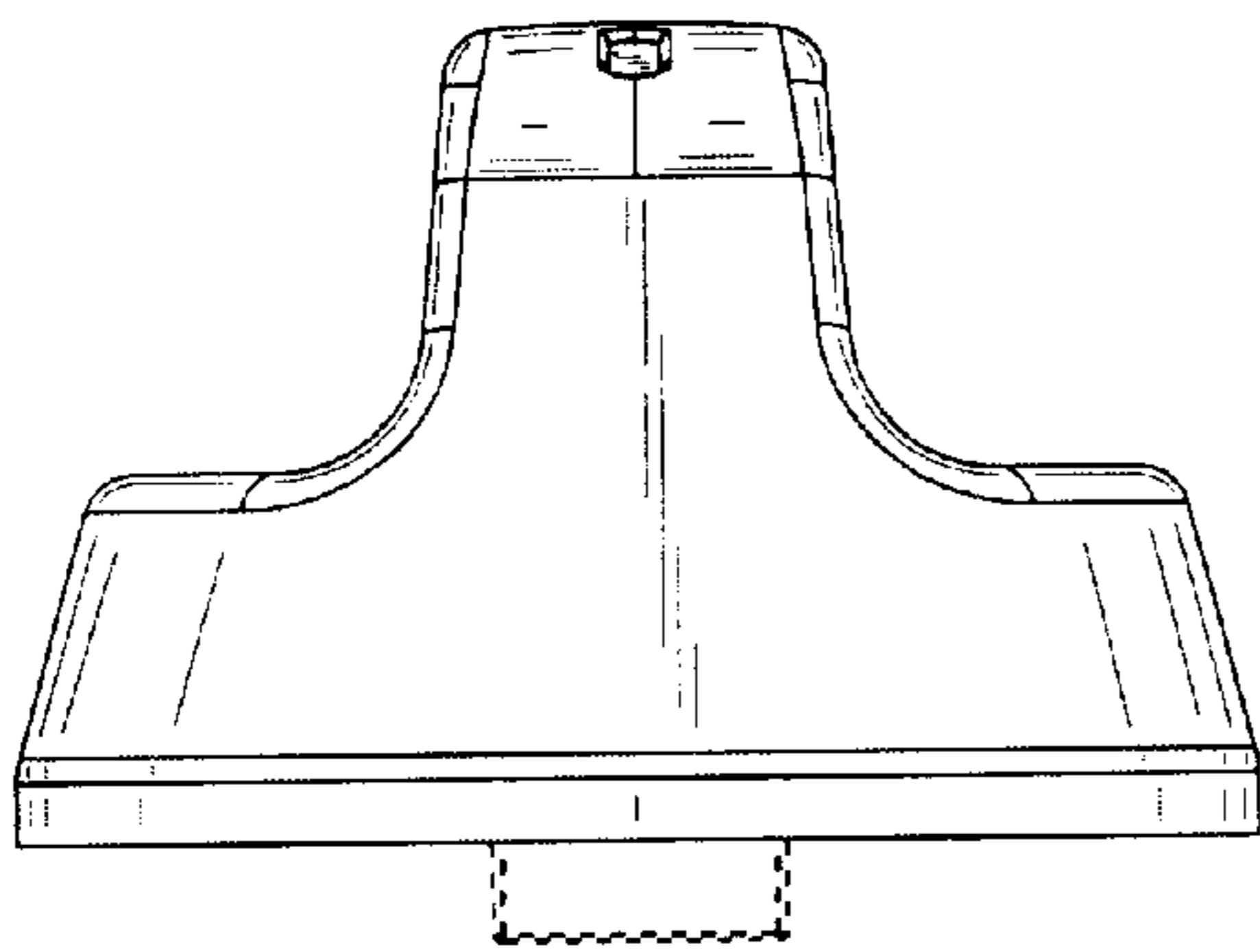


Fig. 3

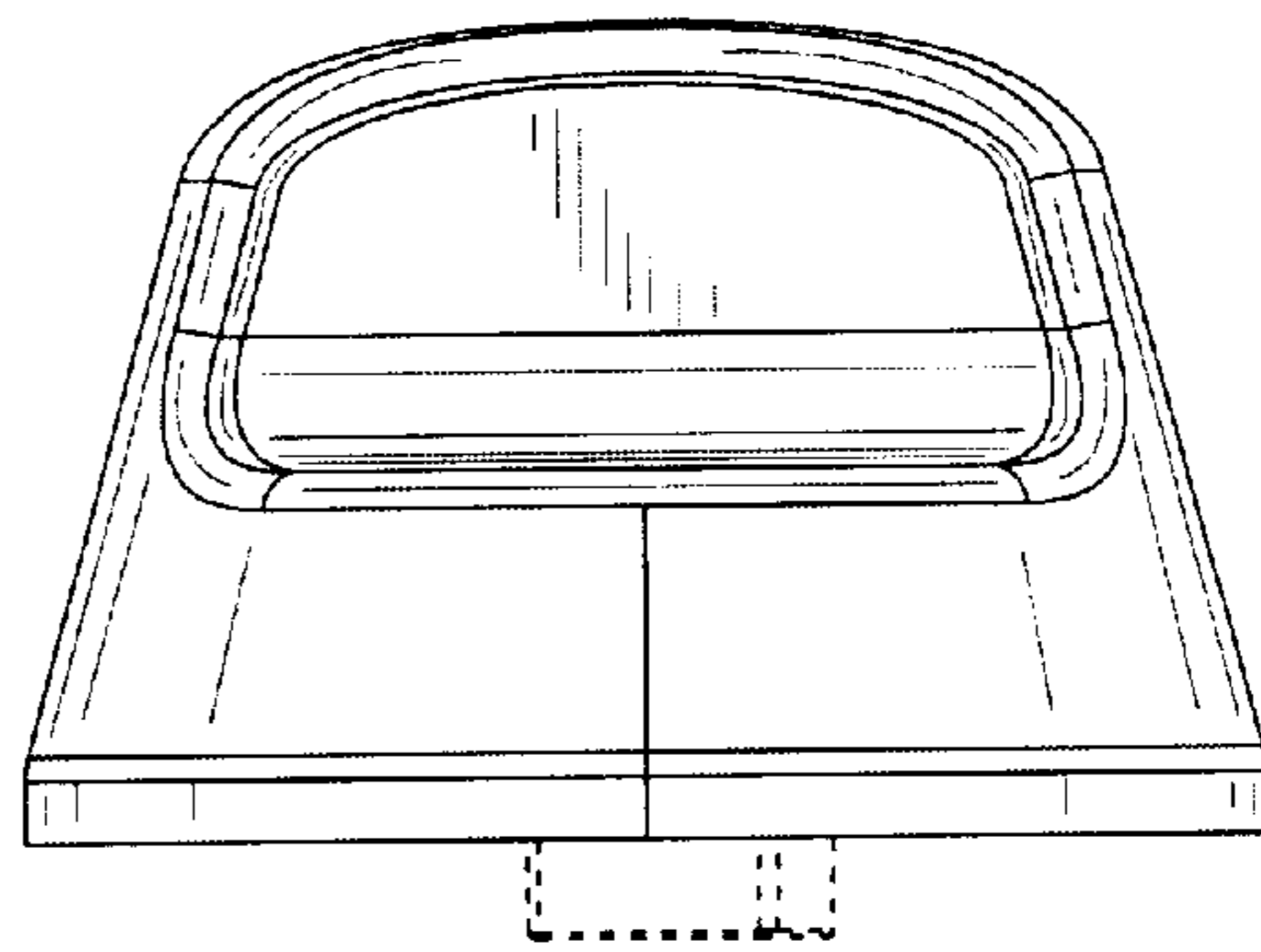


Fig. 4