



US00D525515S

(12) **United States Design Patent**  
**Antkowiak et al.**

(10) **Patent No.: US D525,515 S**

(45) **Date of Patent: \*\* \*Jul. 25, 2006**

(54) **LATCH FOR DOORS AND GATES**

(75) Inventors: **Margaret Antkowiak**, Parklea (AU);  
**Irek Karcz**, North Cromer (AU)

(73) Assignee: **D&D Group Pty Ltd**, Brookvale (AU)

(\* ) Notice: This patent is subject to a terminal disclaimer.

(\*\*) Term: **14 Years**

(21) Appl. No.: **29/211,805**

(22) Filed: **Aug. 20, 2004**

(30) **Foreign Application Priority Data**

Feb. 23, 2004 (AU) ..... 652/04

(51) **LOC (8) Cl.** ..... **08-06**

(52) **U.S. Cl.** ..... **D8/308**

(58) **Field of Classification Search** ..... D8/300,  
D8/301, 302, 307, 308; 70/92, 107, 224;  
292/169, 336.3, 357, 228

See application file for complete search history.

(56) **References Cited**

**U.S. PATENT DOCUMENTS**

3,881,331 A \* 5/1975 Tranberg et al. .... 70/107

4,838,053 A \* 6/1989 Shen ..... 70/92

4,921,289 A *	5/1990	Shen	.....	292/336.3
5,149,155 A *	9/1992	Caeti et al.	.....	292/336.3
5,177,987 A *	1/1993	Shen	.....	70/224
5,265,924 A *	11/1993	Kim	.....	292/336.3
6,264,255 B1 *	7/2001	Fortune	.....	292/336.3
6,364,383 B1 *	4/2002	Shen	.....	292/357
6,733,050 B1 *	5/2004	Yao	.....	292/169
6,869,115 B1 *	3/2005	Shen	.....	292/357

\* cited by examiner

*Primary Examiner*—Paula A. Greene

(74) *Attorney, Agent, or Firm*—Fulwider Patton LLP

(57) **CLAIM**

The ornamental design for a latch for doors and gates, as shown.

**DESCRIPTION**

FIG. 1 is a front perspective view of a latch for gates and doors showing my new design;

FIG. 2 is a rear perspective view thereof;

FIG. 3 is an end elevational view thereof;

FIG. 4 is an opposite end elevational view thereof;

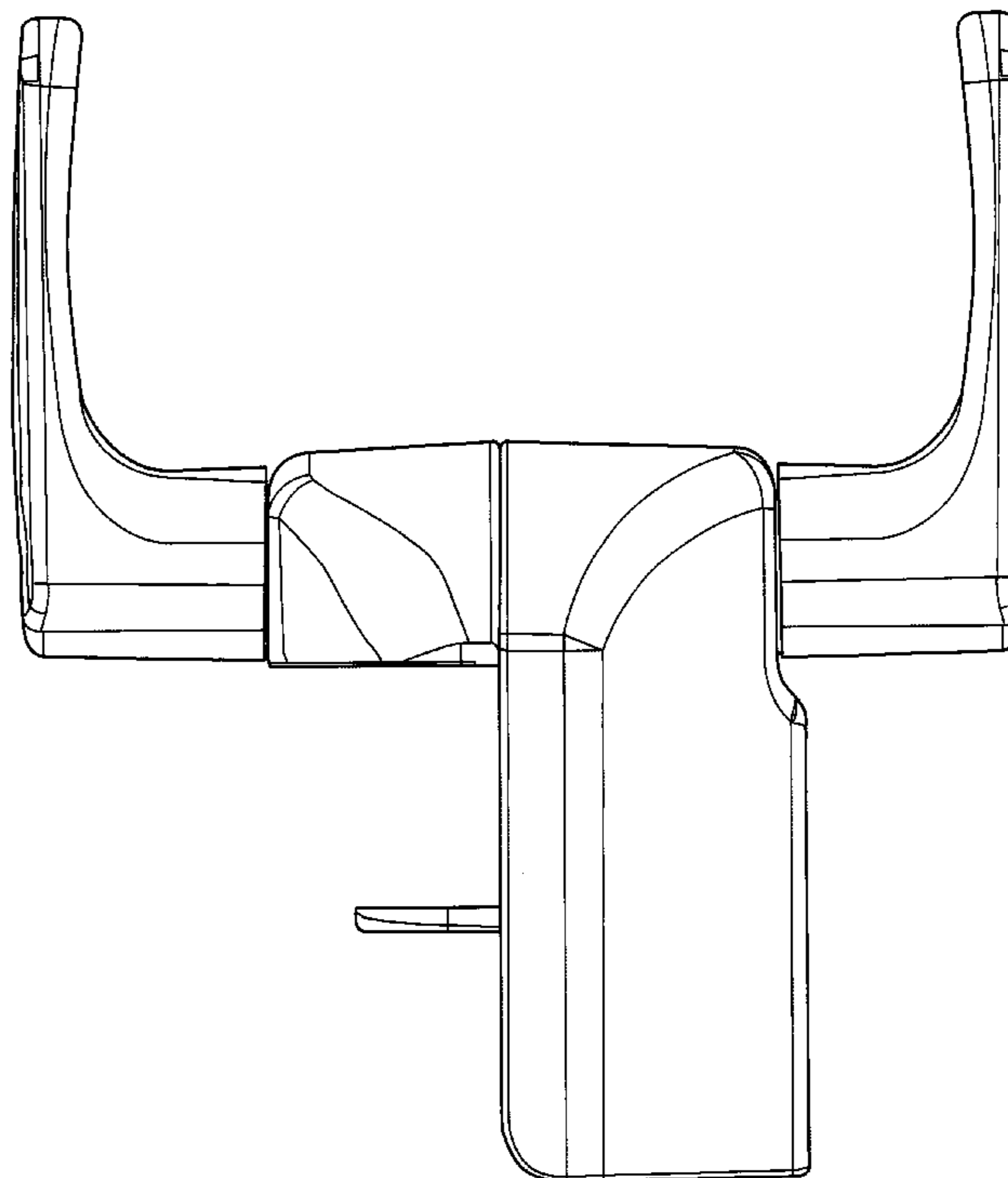
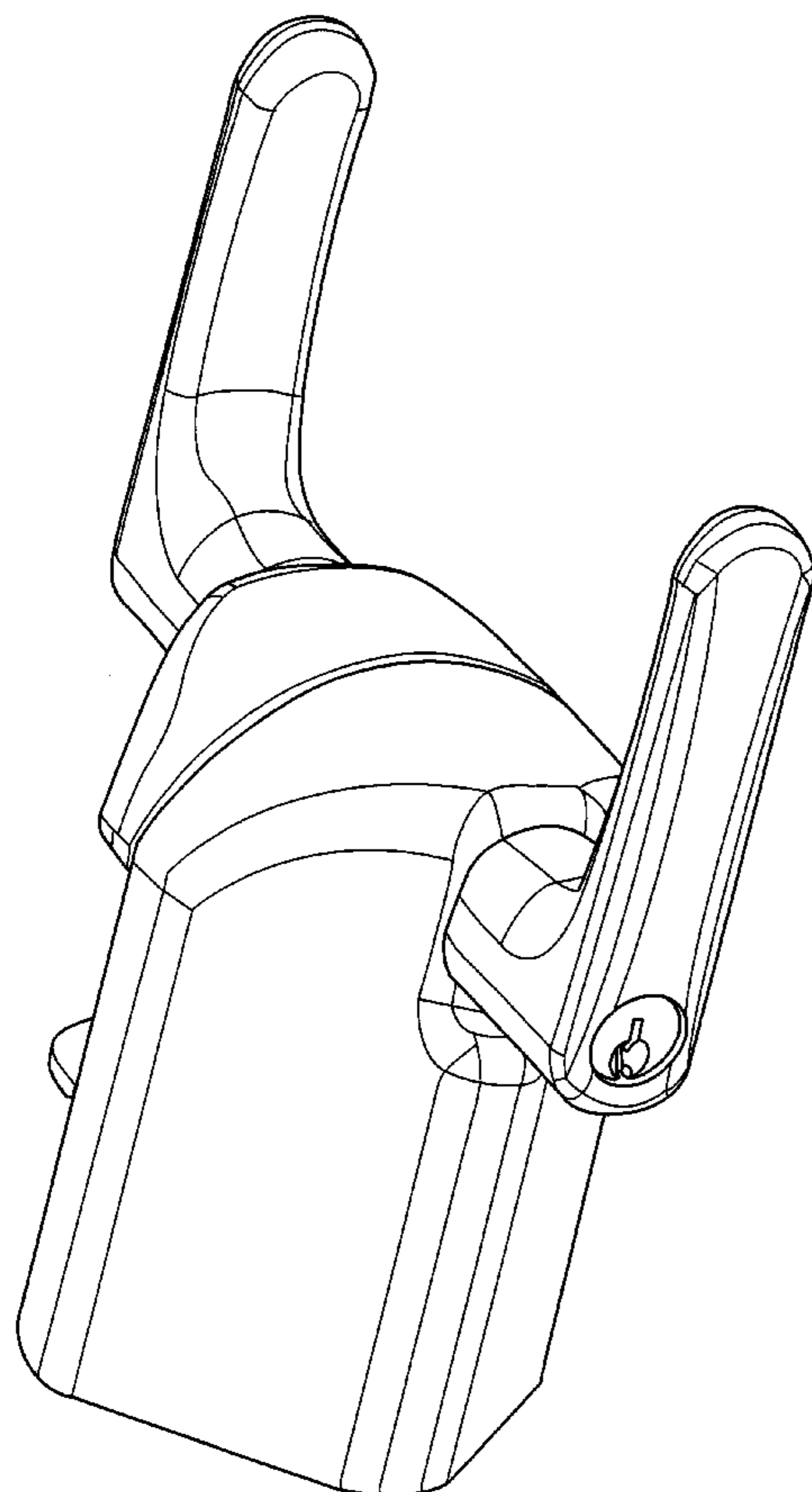
FIG. 5 is a front elevational view thereof;

FIG. 6 is a rear elevational view thereof;

FIG. 7 is a side elevational view thereof; and,

FIG. 8 is an opposite side elevational view thereof.

**1 Claim, 8 Drawing Sheets**



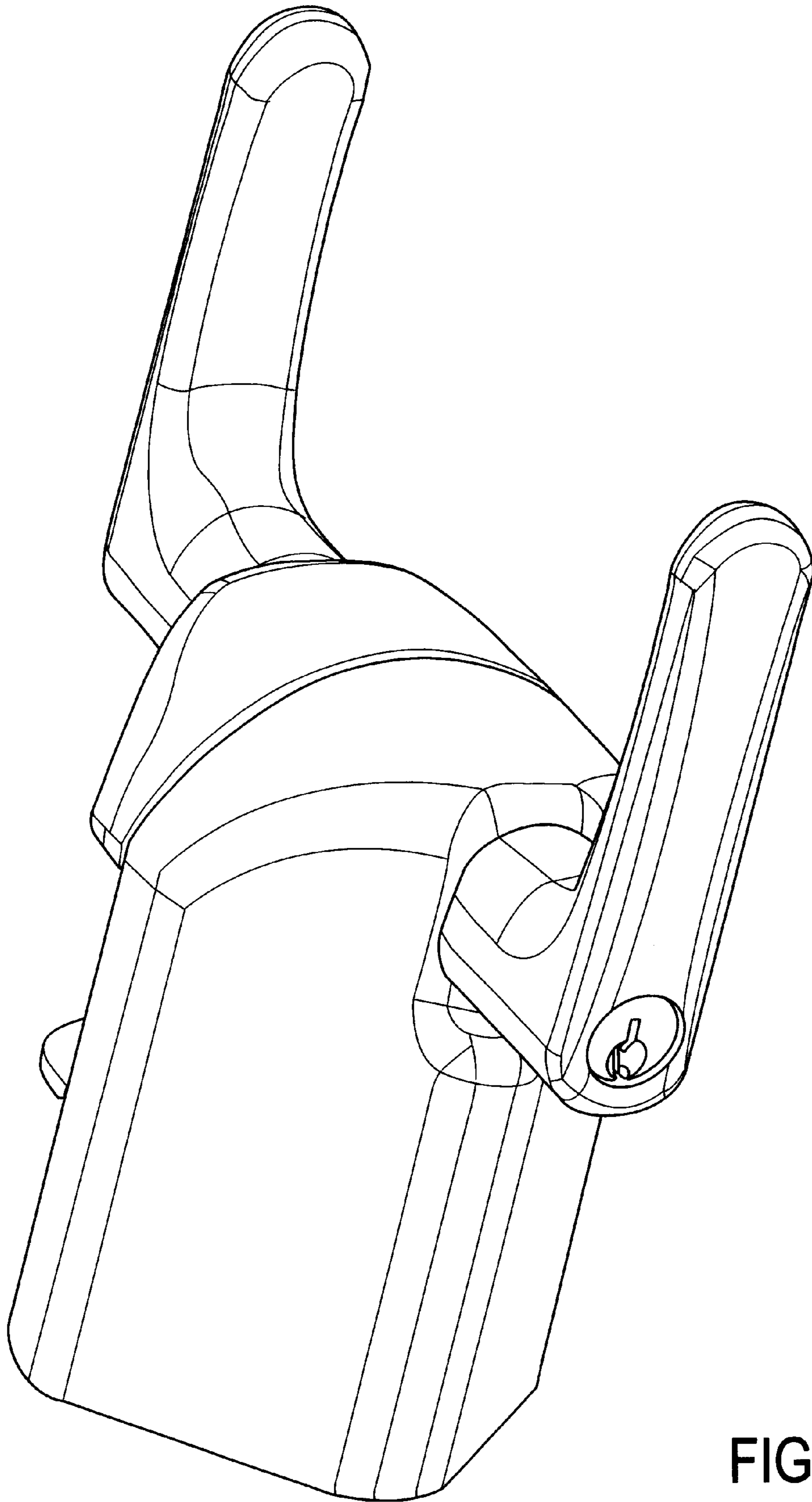


FIG. 1

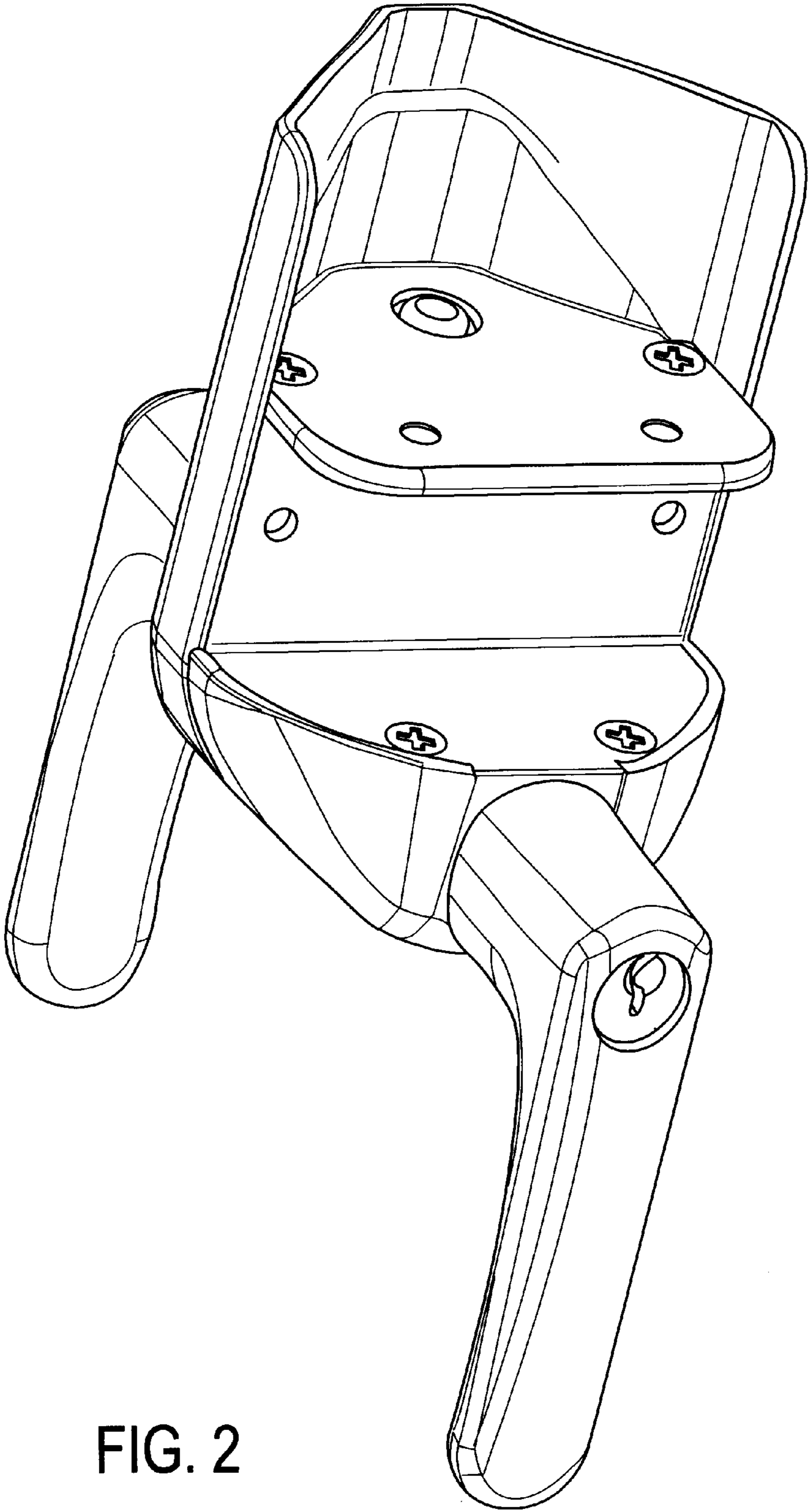


FIG. 2

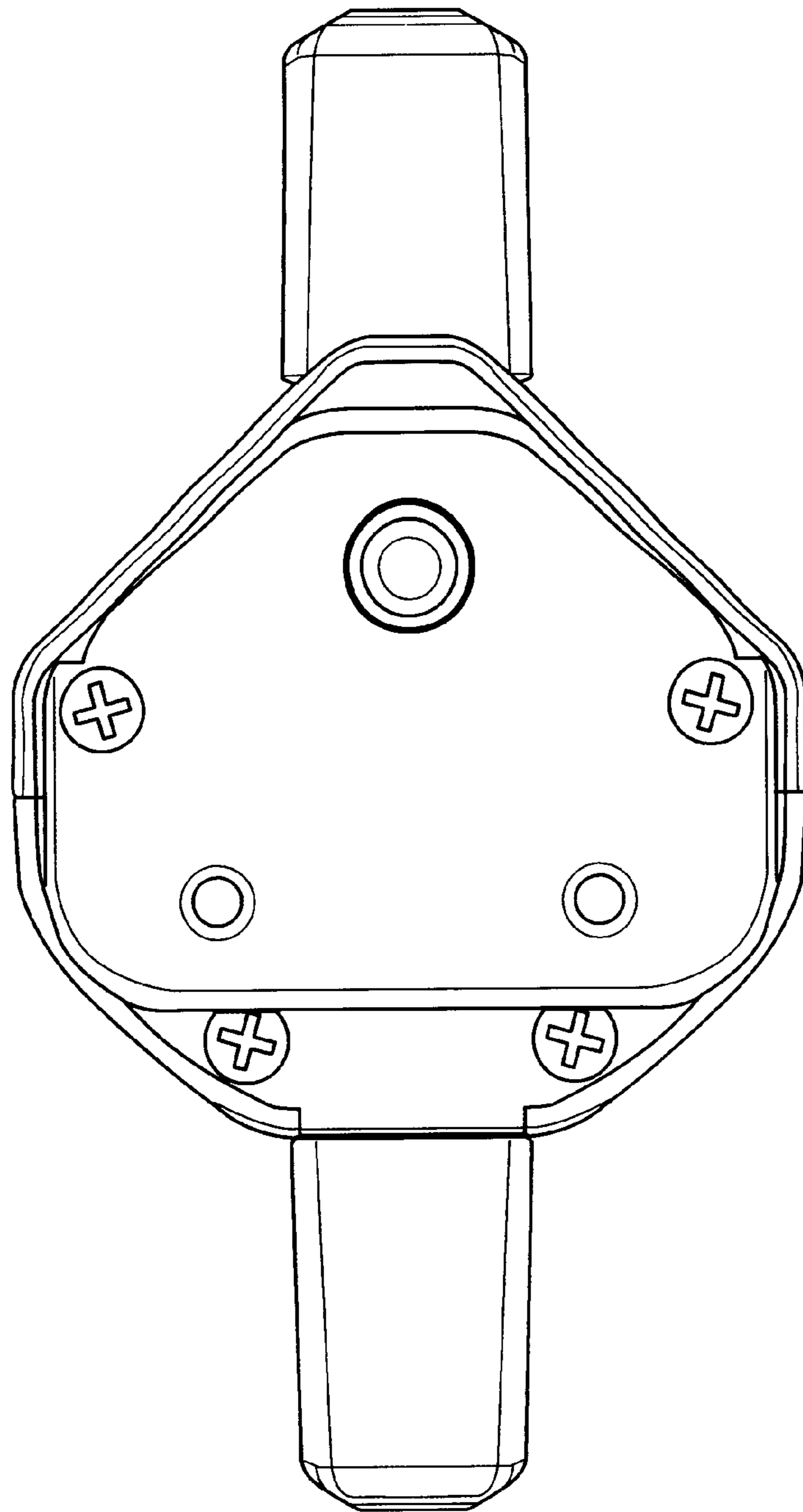


FIG. 3

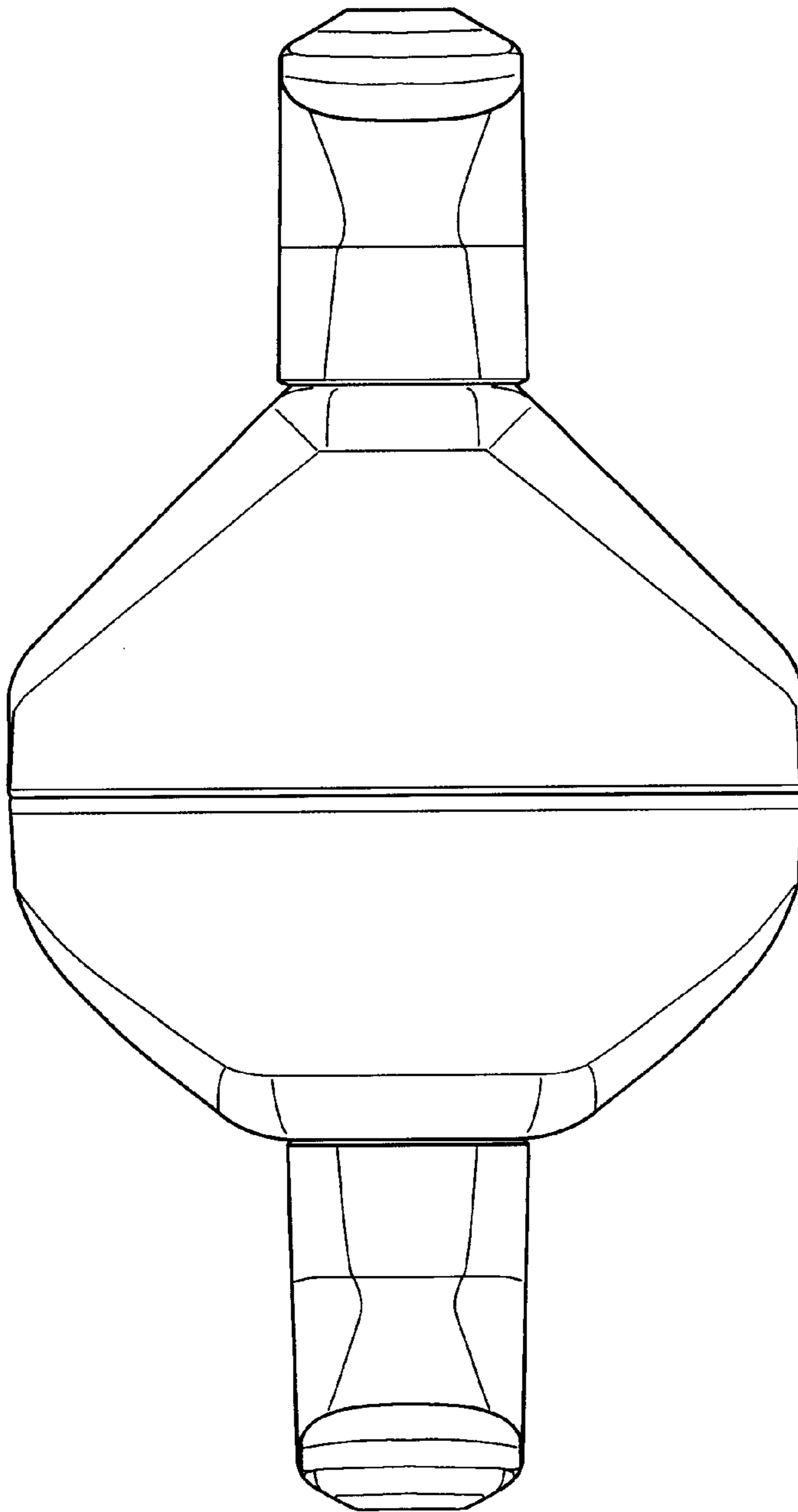


FIG. 4

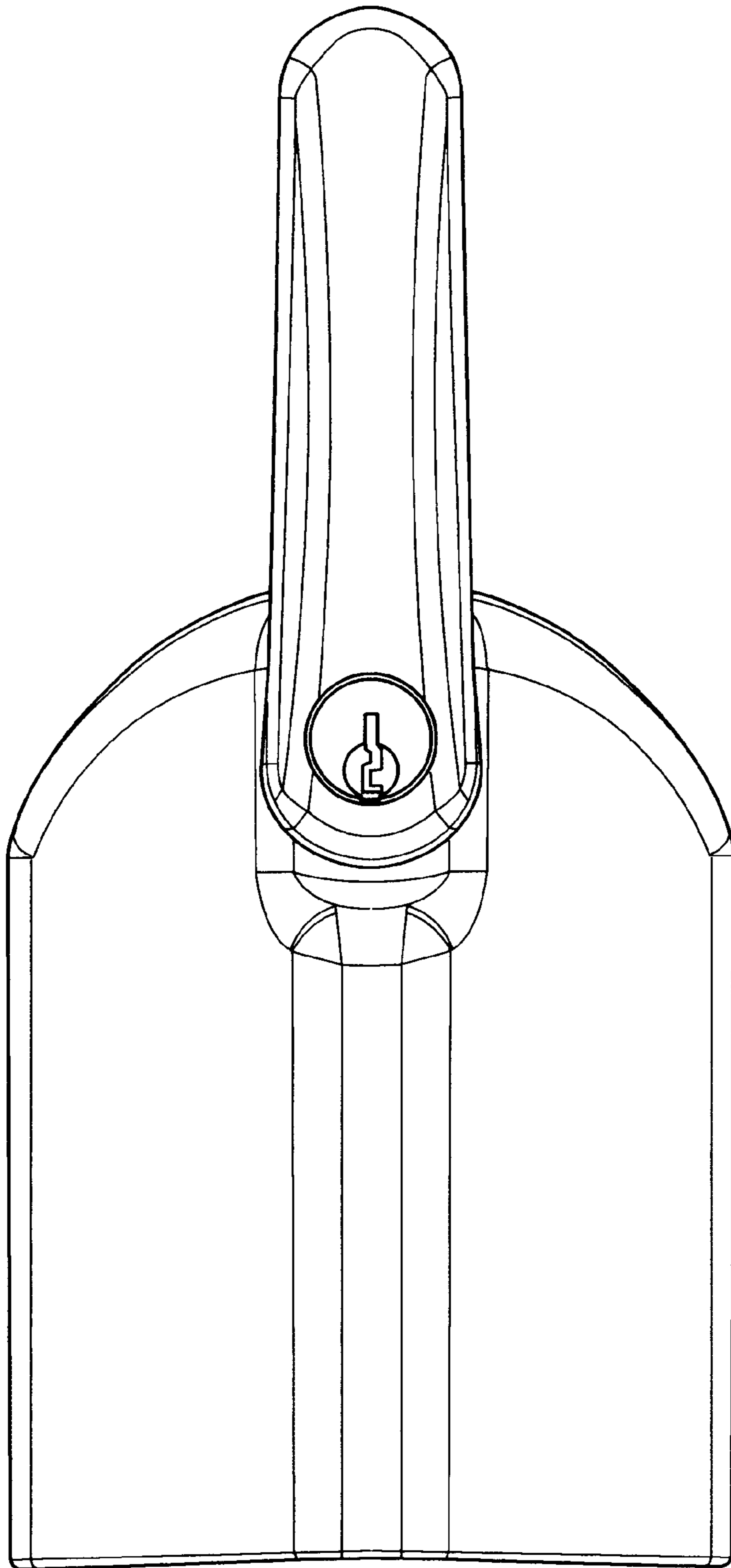


FIG. 5

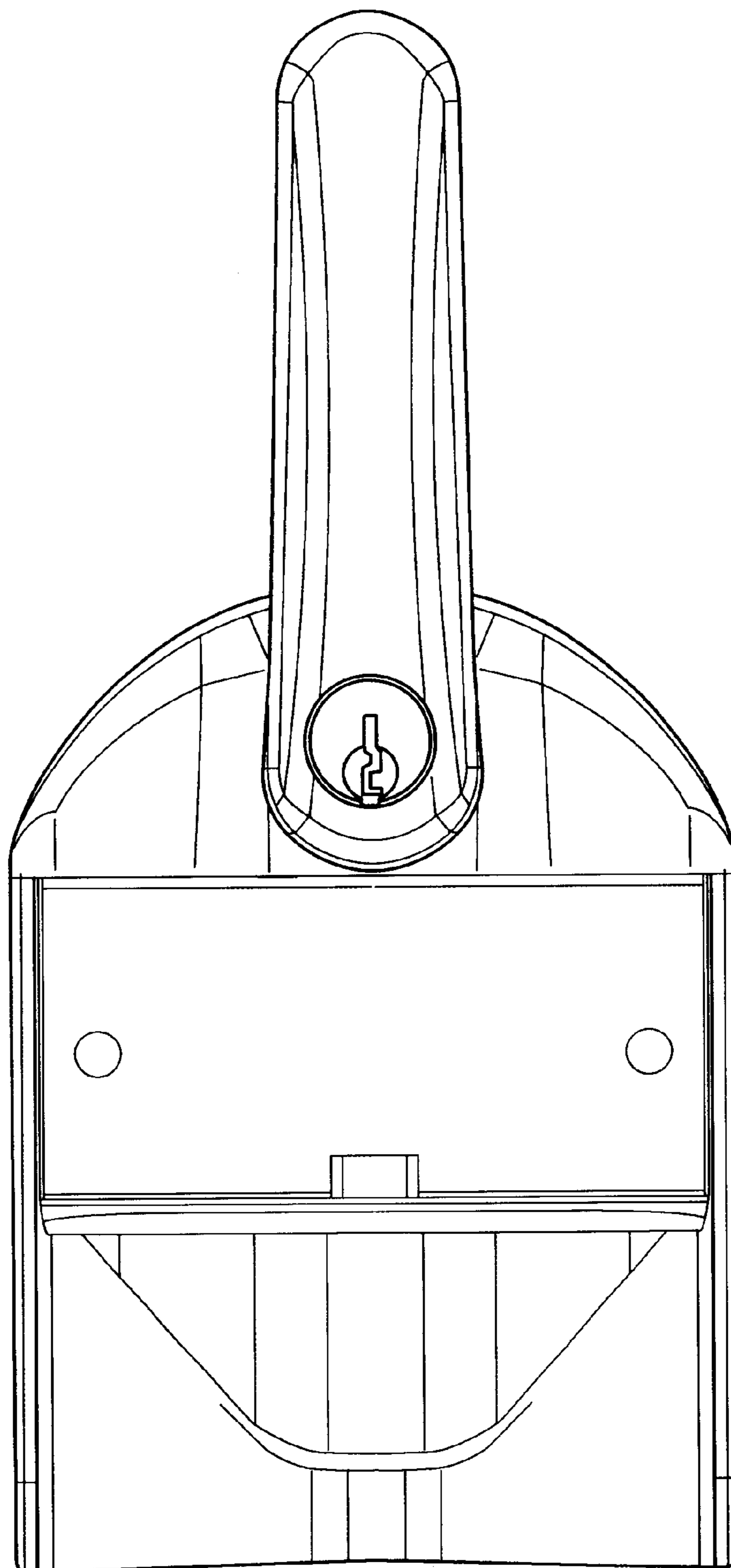


FIG. 6

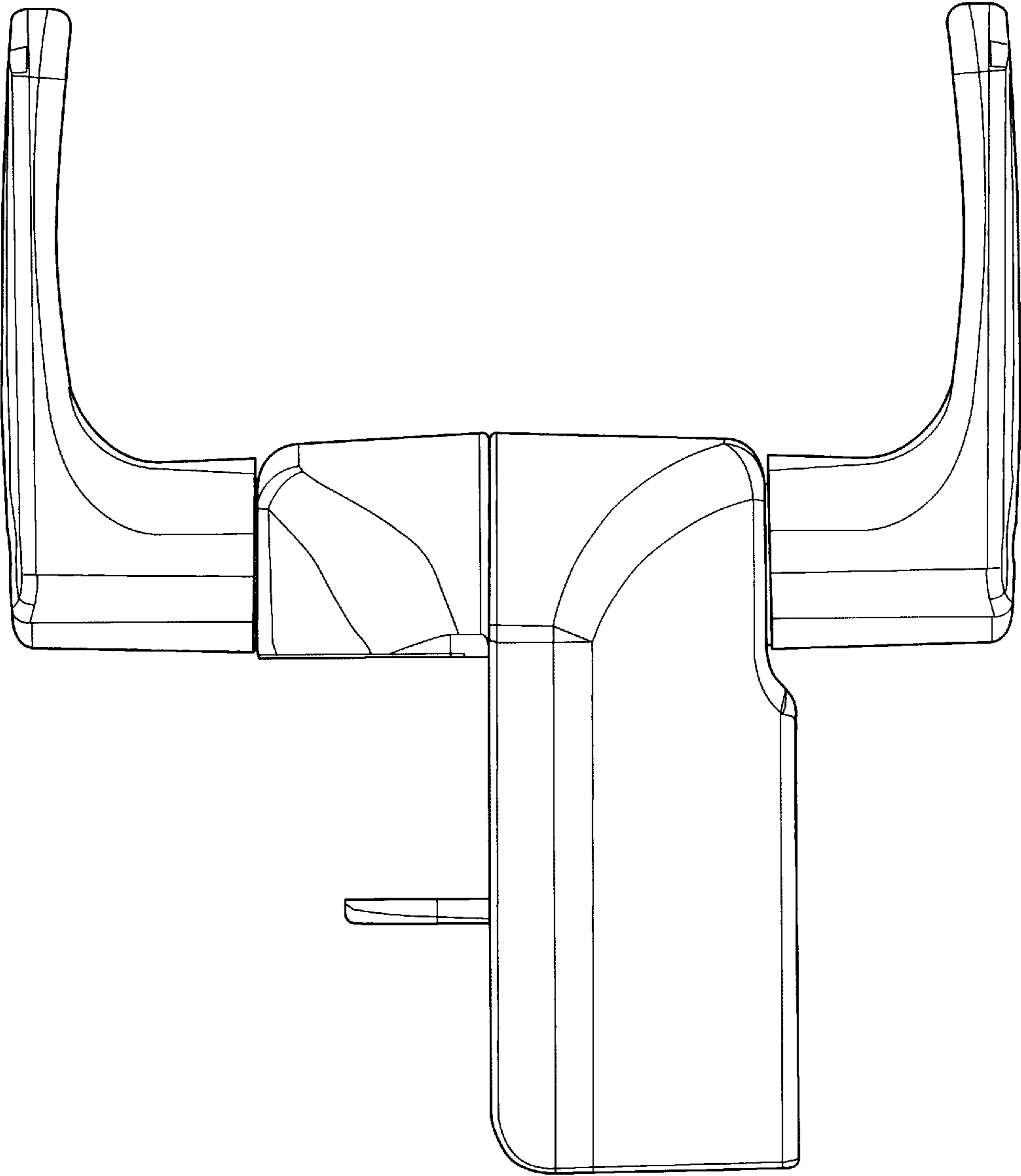


FIG. 7



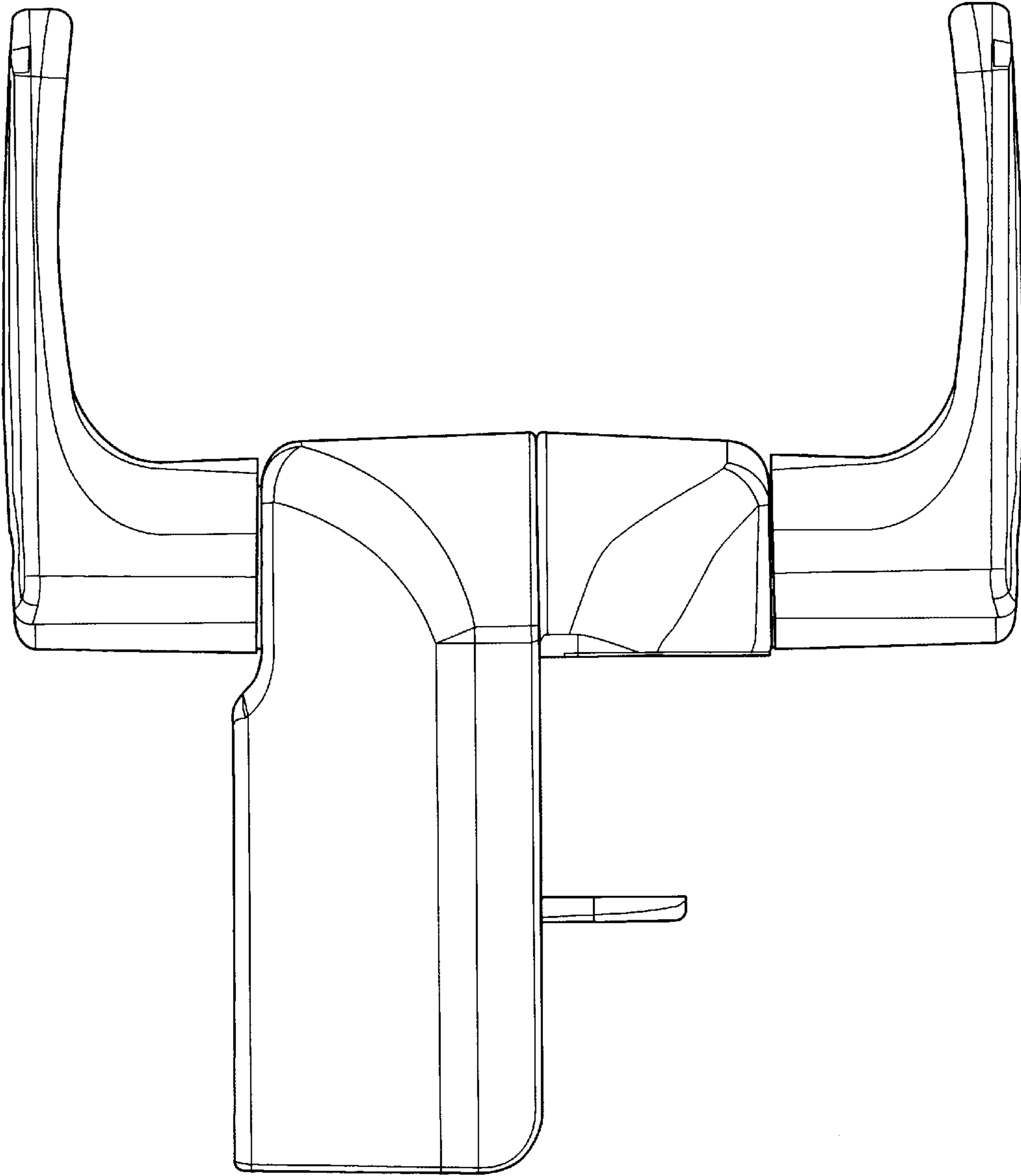


FIG. 8