

US00D525509S

(12) **United States Design Patent**  
**Weschenfelder**

(10) **Patent No.:** **US D525,509 S**

(45) **Date of Patent:** **\*\* Jul. 25, 2006**

(54) **BLADE SHARPENER**

(75) Inventor: **Heinz Weschenfelder**, Forst (DE)

(73) Assignee: **Weschenfelder GmbH**, Forst (DE)

(\*\*) Term: **14 Years**

(21) Appl. No.: **29/234,615**

(22) Filed: **Jul. 21, 2005**

(30) **Foreign Application Priority Data**

Feb. 9, 2005 (DE) ..... 000293550

(51) **LOC (8) Cl.** ..... **08-05**

(52) **U.S. Cl.** ..... **D8/93**; D8/91

(58) **Field of Classification Search** ..... D8/91,  
D8/93; 76/82, 82.2, 84, 86, 88; 451/461,  
451/540, 552, 557-559

See application file for complete search history.

(56) **References Cited**

**U.S. PATENT DOCUMENTS**

D145,803 S	*	10/1946	Jones	.....	D8/93
D173,204 S	*	10/1954	Hussar	.....	D8/93
D183,530 S	*	9/1958	Lamb	.....	D8/93
D299,308 S	*	1/1989	Prindle	.....	D8/93
D308,018 S	*	5/1990	Linden et al.	.....	D8/93
D309,415 S	*	7/1990	Shimizu	.....	D8/93
D315,663 S	*	3/1991	Dolbosco	.....	D8/93
D323,450 S	*	1/1992	Shimizu	.....	D8/93
5,163,251 A	*	11/1992	Lee	.....	451/555

D357,395 S	*	4/1995	Friel	.....	D8/93
5,404,679 A	*	4/1995	Friel et al.	.....	451/312
D368,217 S	*	3/1996	Friel	.....	D8/93
D372,181 S	*	7/1996	Kelley	.....	D8/93
D375,241 S	*	11/1996	Pigott	.....	D8/93
D388,304 S	*	12/1997	Friel	.....	D8/93
D392,869 S	*	3/1998	Rieser	.....	D8/93
D402,523 S	*	12/1998	Thomas	.....	D8/93
D410,185 S	*	5/1999	Huber	.....	D8/93
D470,382 S	*	2/2003	Kurz	.....	D8/93
D500,439 S	*	1/2005	Rosenthal	.....	D8/93

\* cited by examiner

*Primary Examiner*—Philip S. Hyder

*Assistant Examiner*—RoseLynne Ulm

(74) *Attorney, Agent, or Firm*—Edell, Shapiro & Finnan, LLC

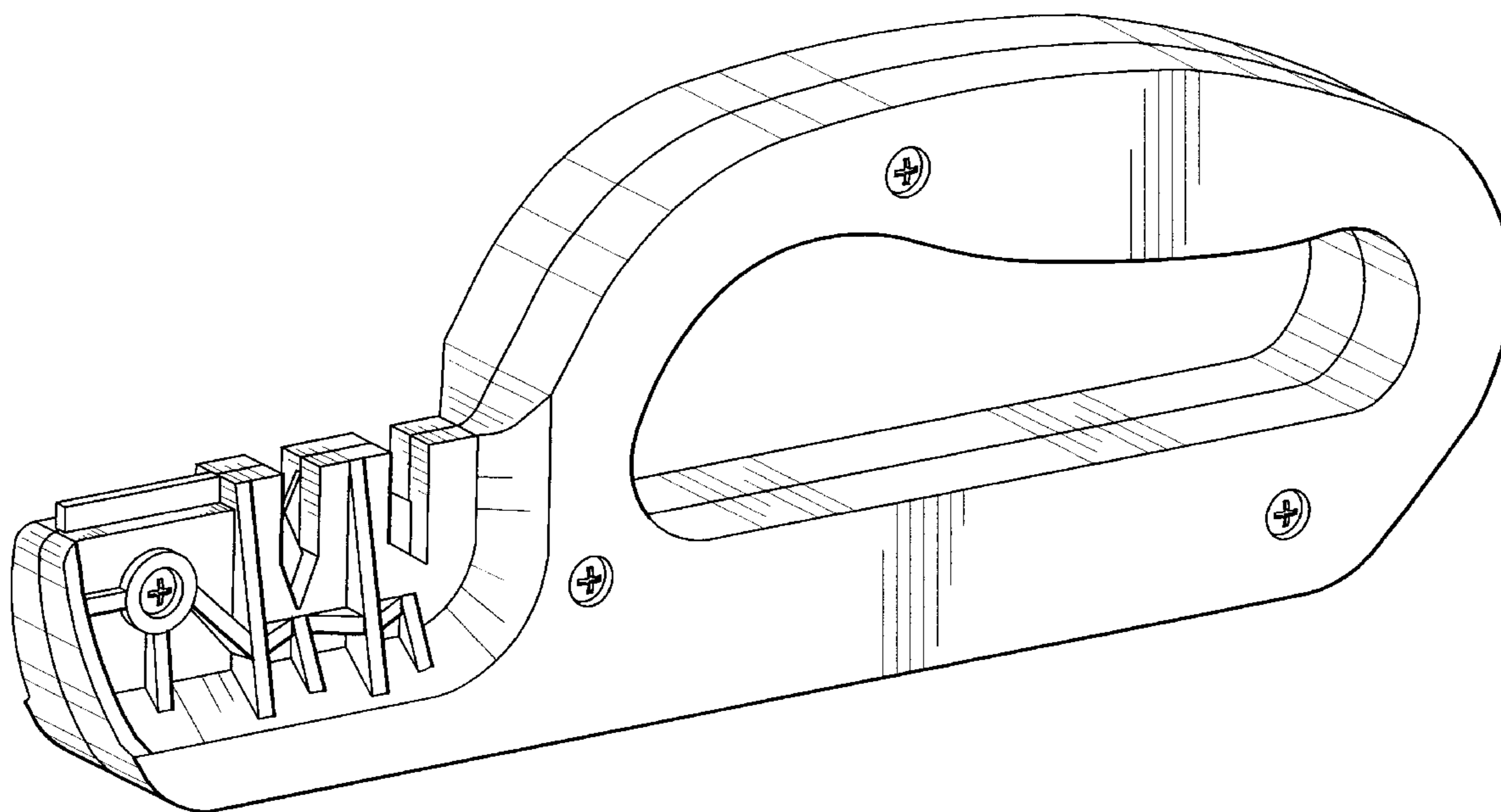
(57) **CLAIM**

The ornamental design for a blade sharpener, as shown and described.

**DESCRIPTION**

FIG. 1 is a top perspective view showing my new design; FIG. 2 is a left side view in elevation thereof; FIG. 3 is a right side view in elevation thereof; FIG. 4 is a top view in plan thereof; FIG. 5 is a bottom view in plan thereof; FIG. 6 is front view in elevation thereof; and, FIG. 7 is a rear view in elevation thereof.

**1 Claim, 4 Drawing Sheets**



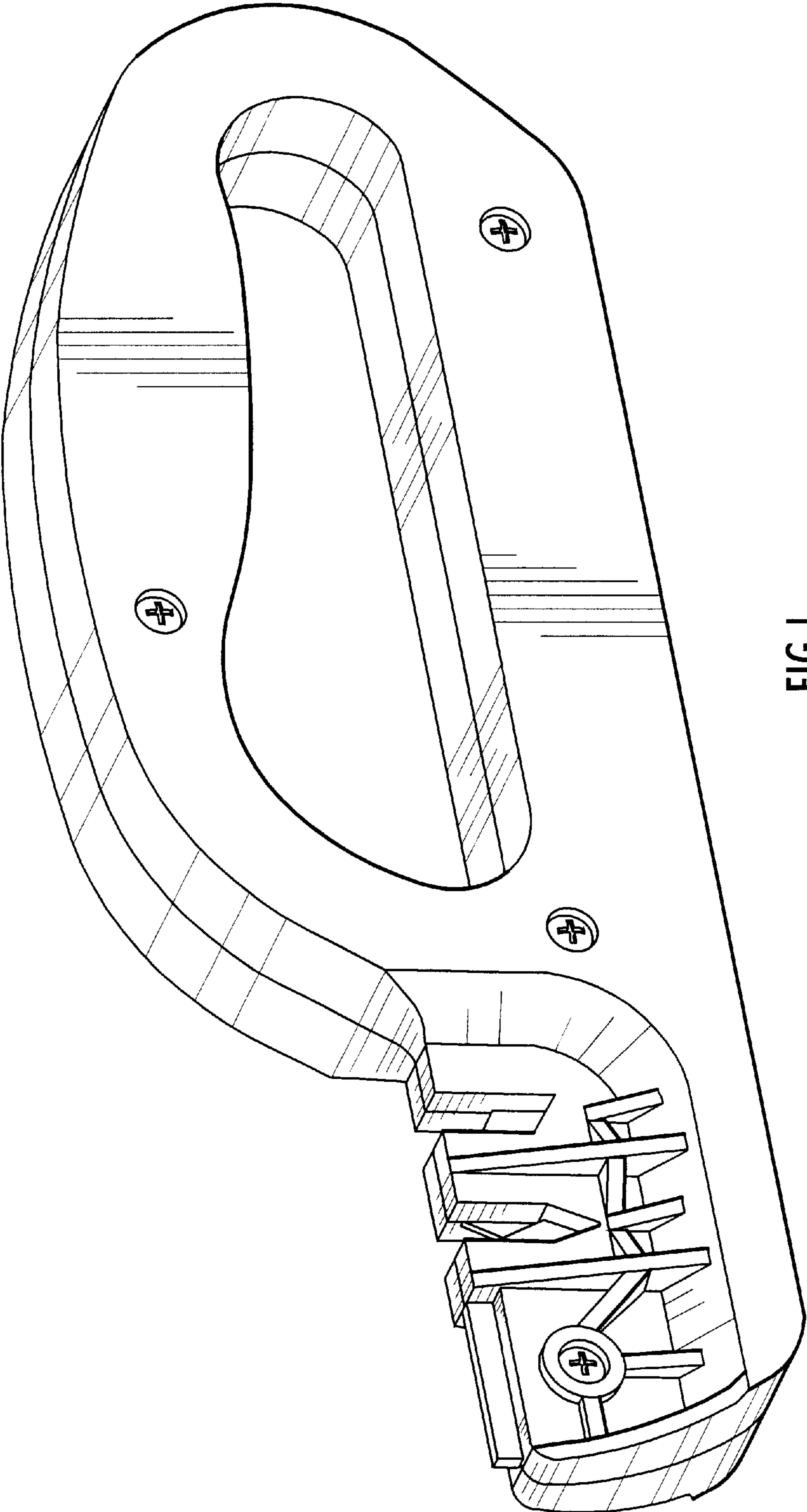
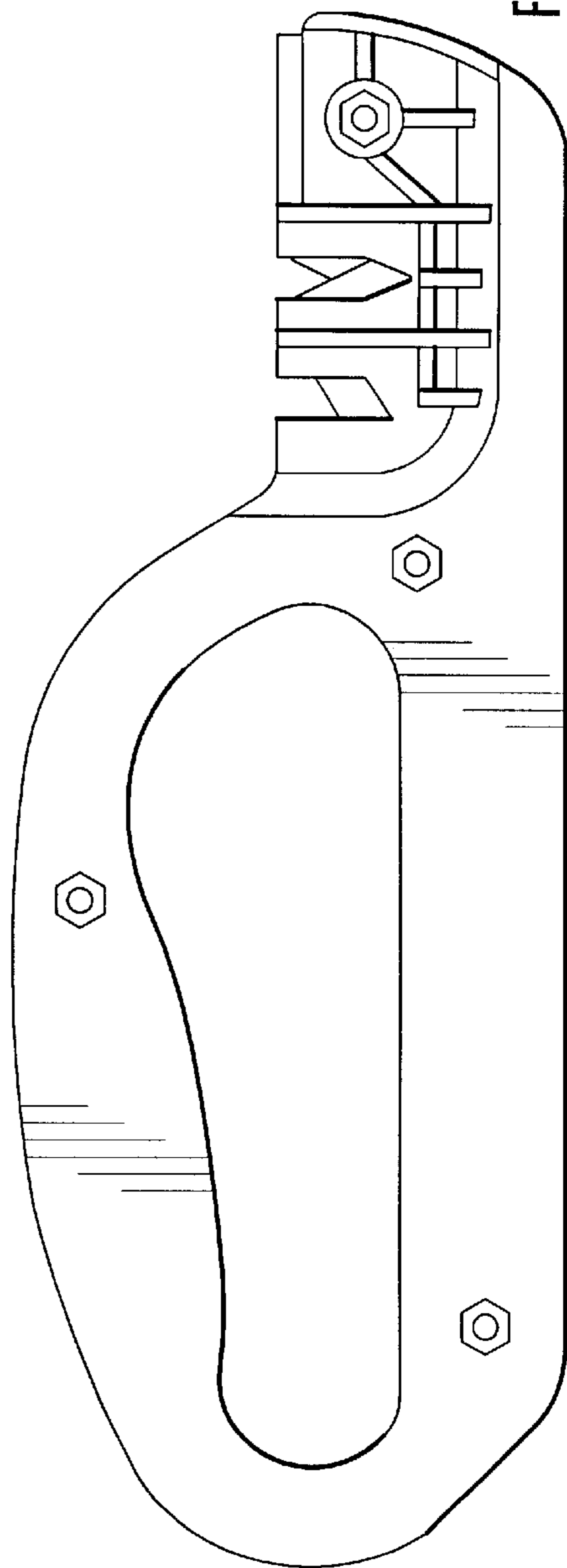
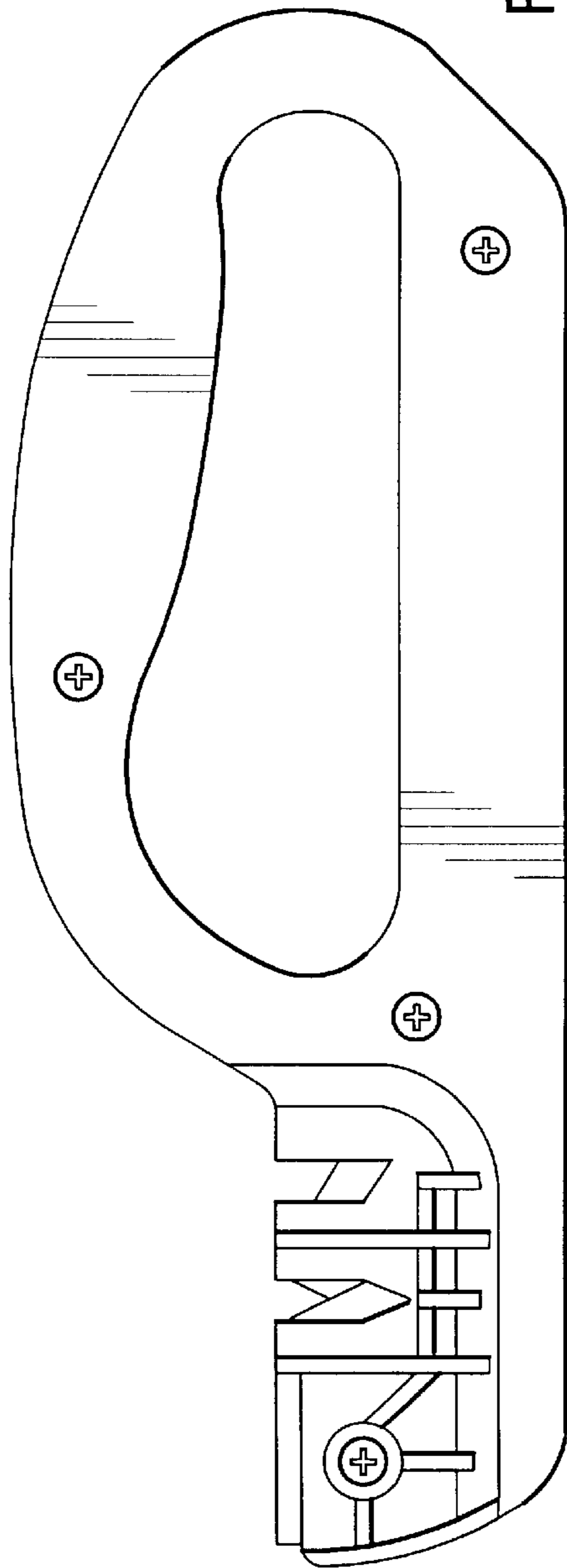


FIG. I



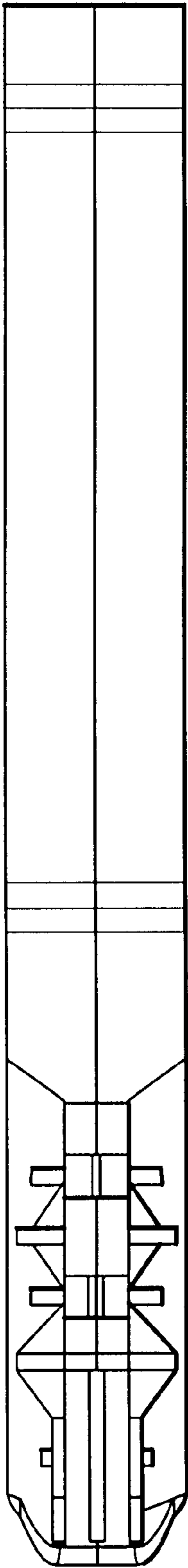


FIG.4

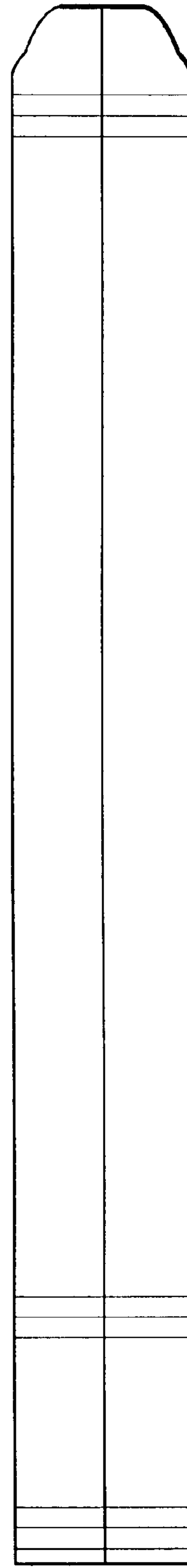


FIG.5



FIG. 7

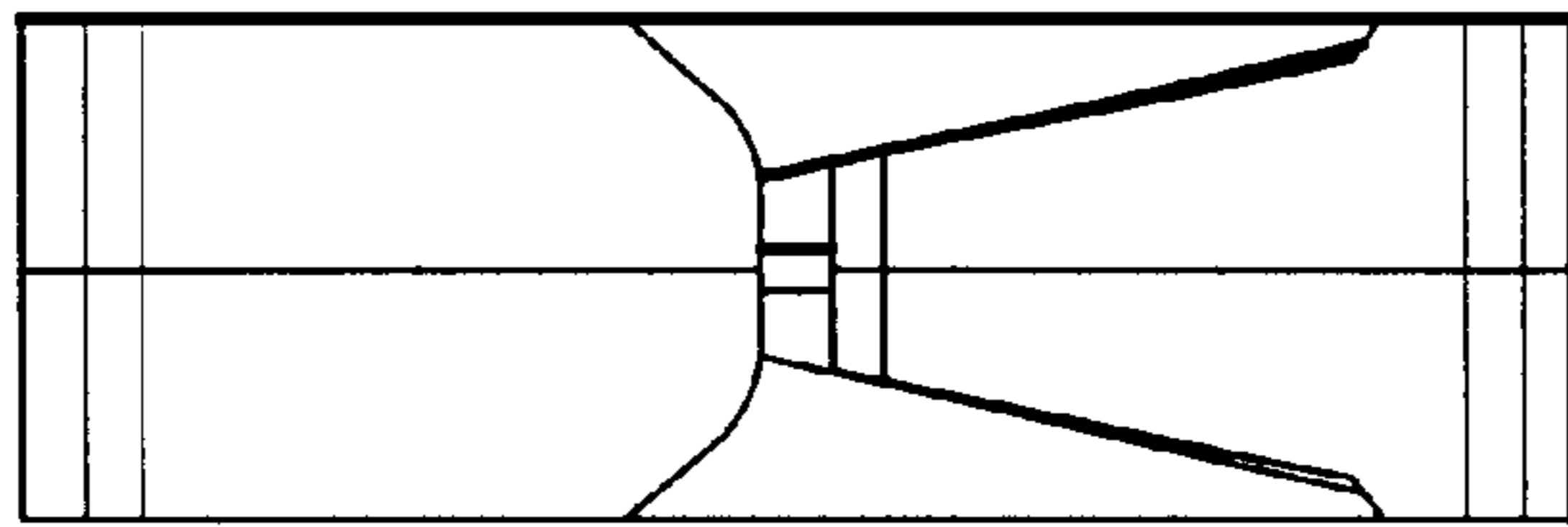


FIG. 6