

US00D525508S

(12) **United States Design Patent**  
**Leonard, II**

(10) **Patent No.:** **US D525,508 S**

(45) **Date of Patent:** **\*\* Jul. 25, 2006**

(54) **HAND SANDER**

(75) Inventor: **Mitchell M. Leonard, II**, Fayetteville,  
AR (US)

(73) Assignee: **Marshalltown Company**,  
Marshalltown, IA (US)

(\*\*) Term: **14 Years**

(21) Appl. No.: **29/230,224**

(22) Filed: **May 18, 2005**

(51) **LOC (8) Cl.** ..... **08-05**

(52) **U.S. Cl.** ..... **D8/90**

(58) **Field of Classification Search** ..... D8/90,  
D8/94, 45, 107; 451/514, 518, 523, 524,  
451/525

See application file for complete search history.

(56) **References Cited**

**U.S. PATENT DOCUMENTS**

4,071,983	A	*	2/1978	Thielen	.....	451/525
D278,790	S	*	5/1985	Chaney et al.	.....	D8/14
D310,012	S	*	8/1990	Henke et al.	.....	D8/90
D310,013	S	*	8/1990	Watson	.....	D8/90
D344,003	S	*	2/1994	Milkie	.....	D8/90

5,283,988	A	*	2/1994	Brown	.....	451/524
D453,672	S	*	2/2002	McCoy	.....	D8/90
6,406,365	B1	*	6/2002	Ueno	.....	451/523
D462,597	S	*	9/2002	Deshler	.....	D8/90
D474,389	S	*	5/2003	Panfili et al.	.....	D8/90
6,719,620	B1	*	4/2004	Panfili et al.	.....	451/557
6,899,608	B1	*	5/2005	Huang	.....	451/356

\* cited by examiner

*Primary Examiner*—Philip S. Hyder

(74) *Attorney, Agent, or Firm*—Shook, Hardy & Bacon  
LLP

(57) **CLAIM**

The ornamental design for a hand sander, as shown and  
described.

**DESCRIPTION**

FIG. 1 is a perspective view of a hand sander, showing my  
new design;

FIG. 2 is a top plan view thereof;

FIG. 3 is a left-side elevational view thereof;

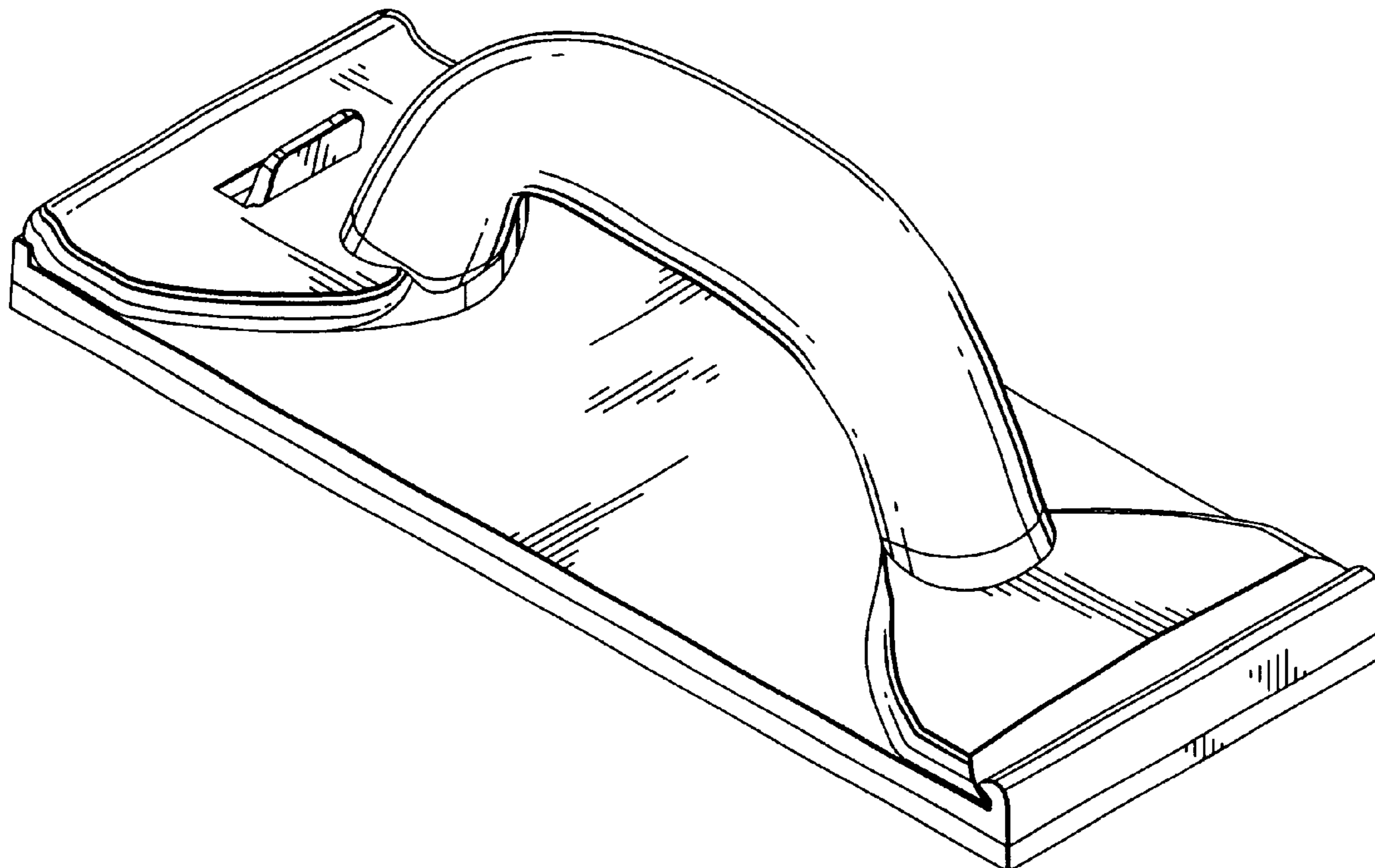
FIG. 4 is a right-side elevational view thereof;

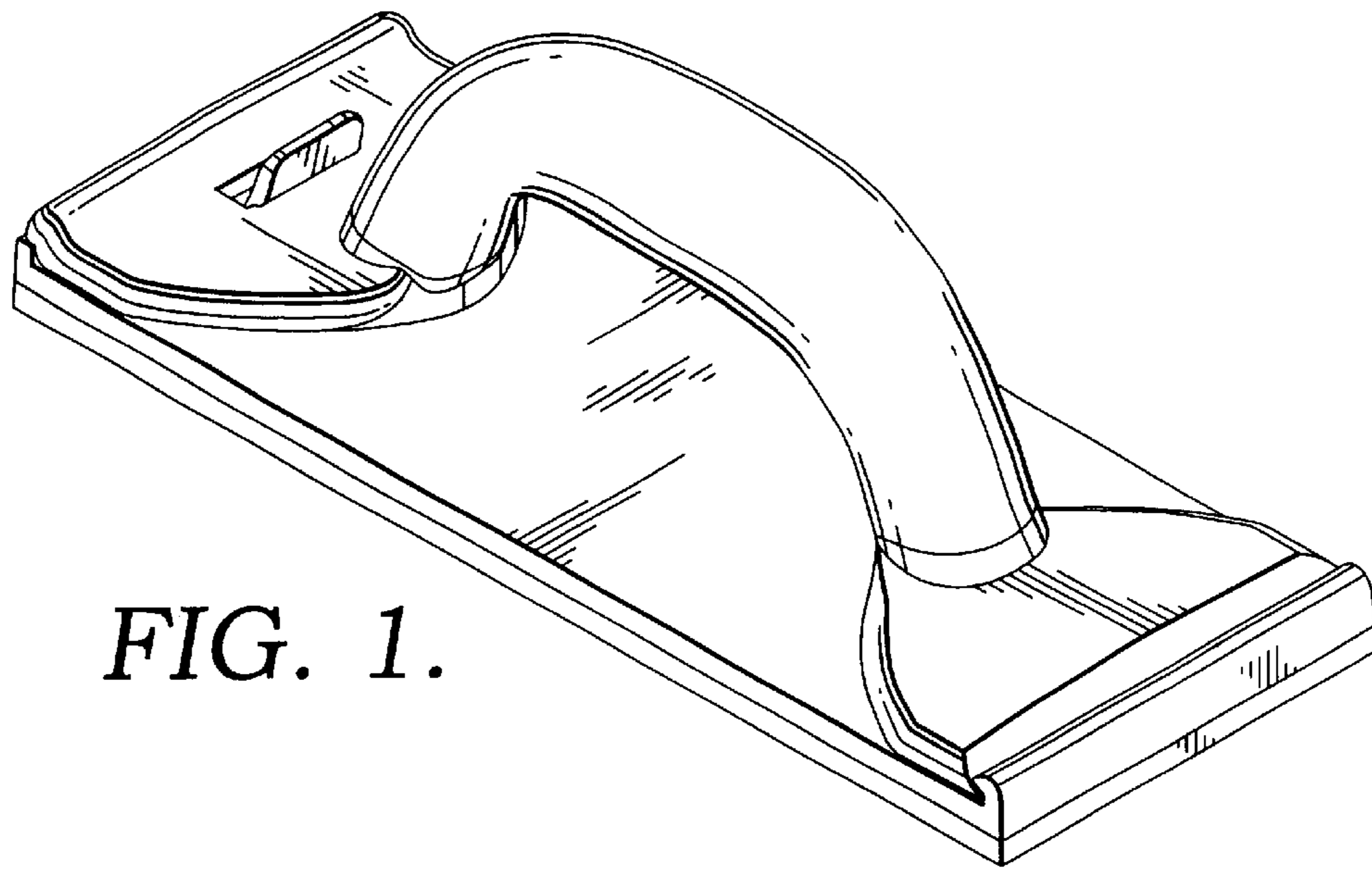
FIG. 5 is a front elevational view thereof;

FIG. 6 is a back elevational view thereof; and,

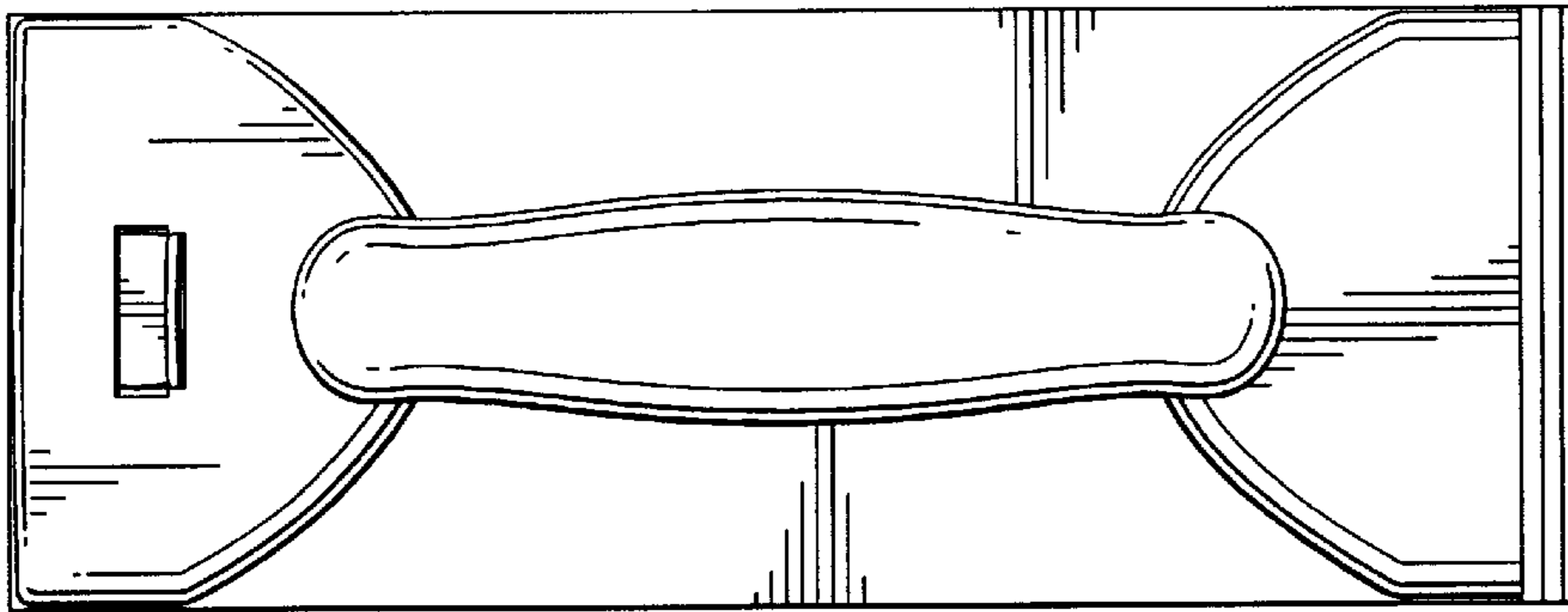
FIG. 7 is a bottom plan view thereof.

**1 Claim, 2 Drawing Sheets**

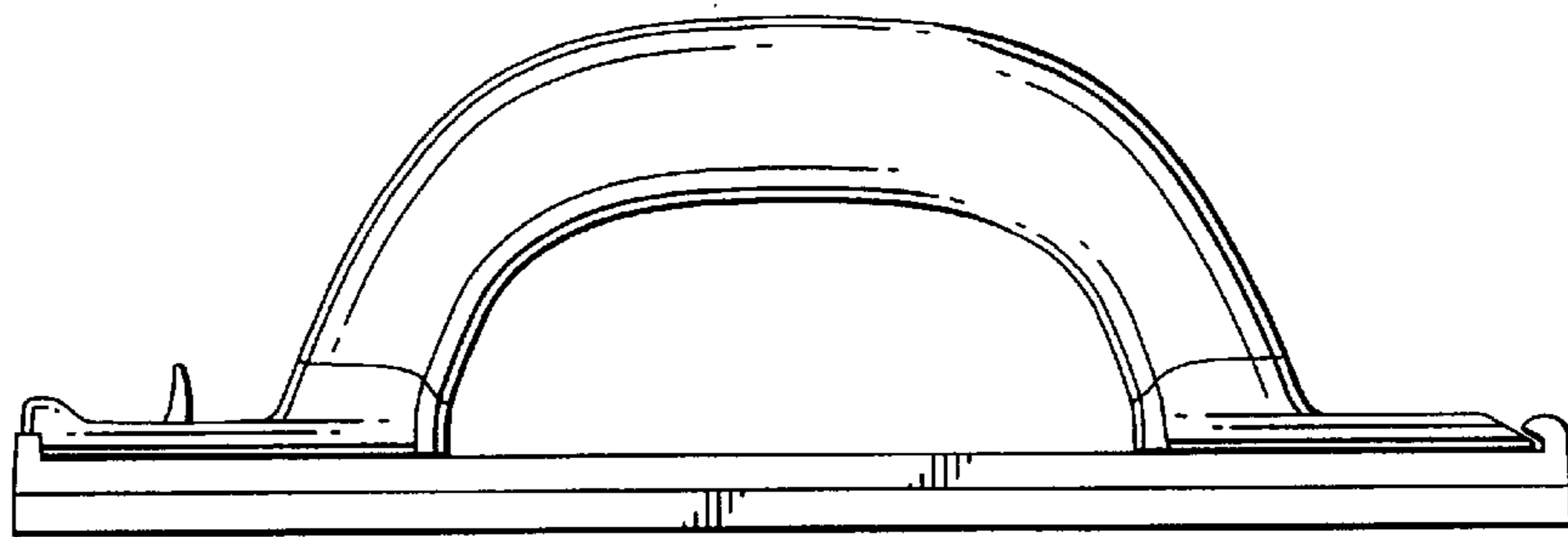




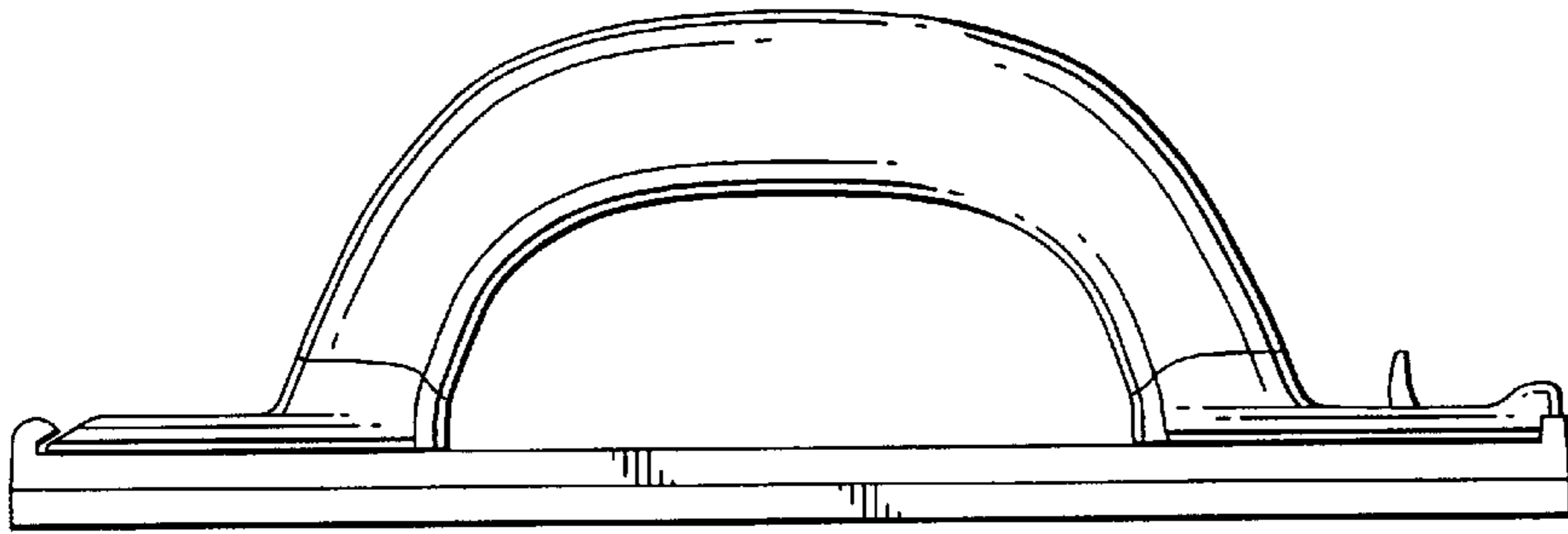
*FIG. 1.*



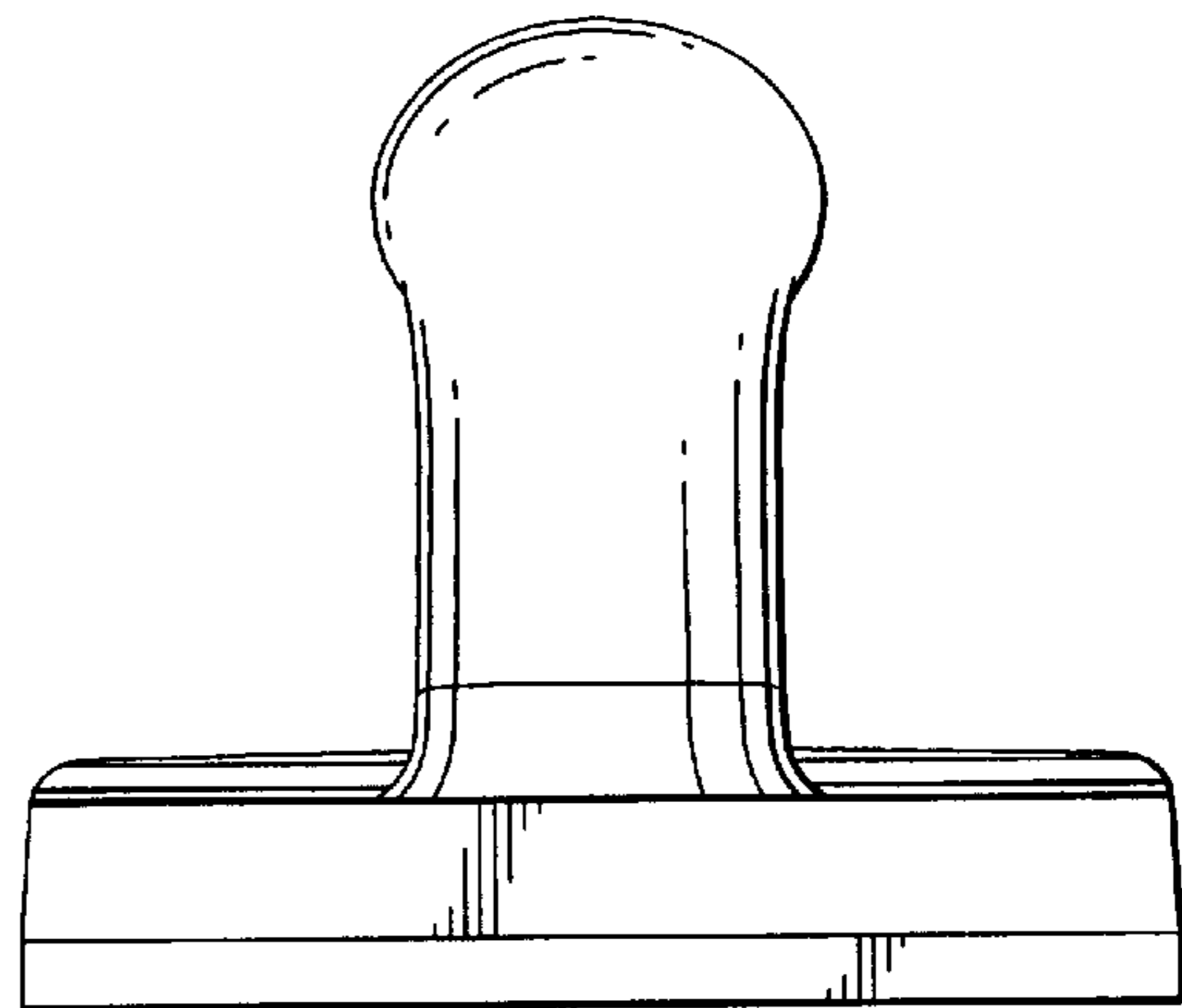
*FIG. 2.*



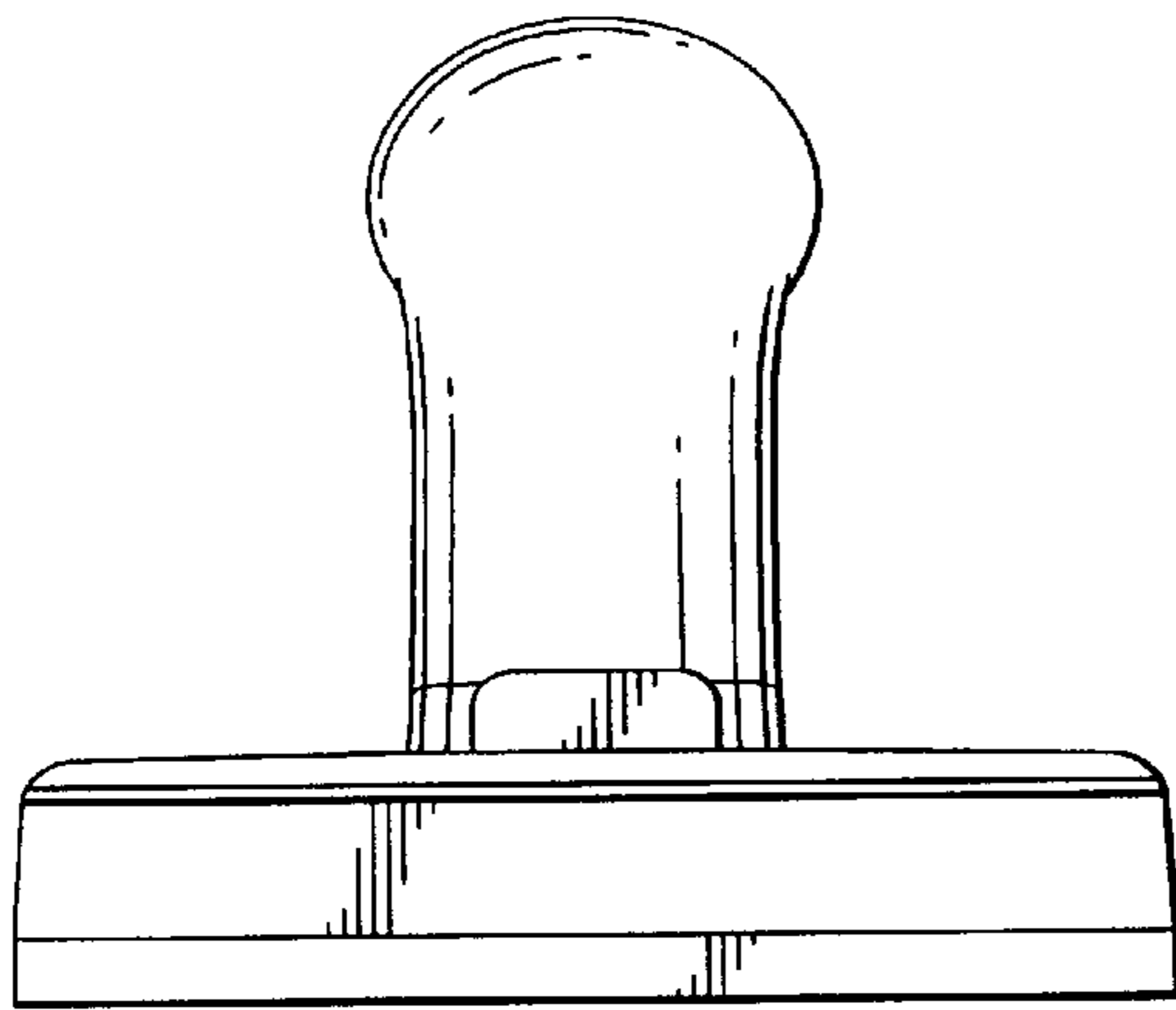
*FIG. 3.*



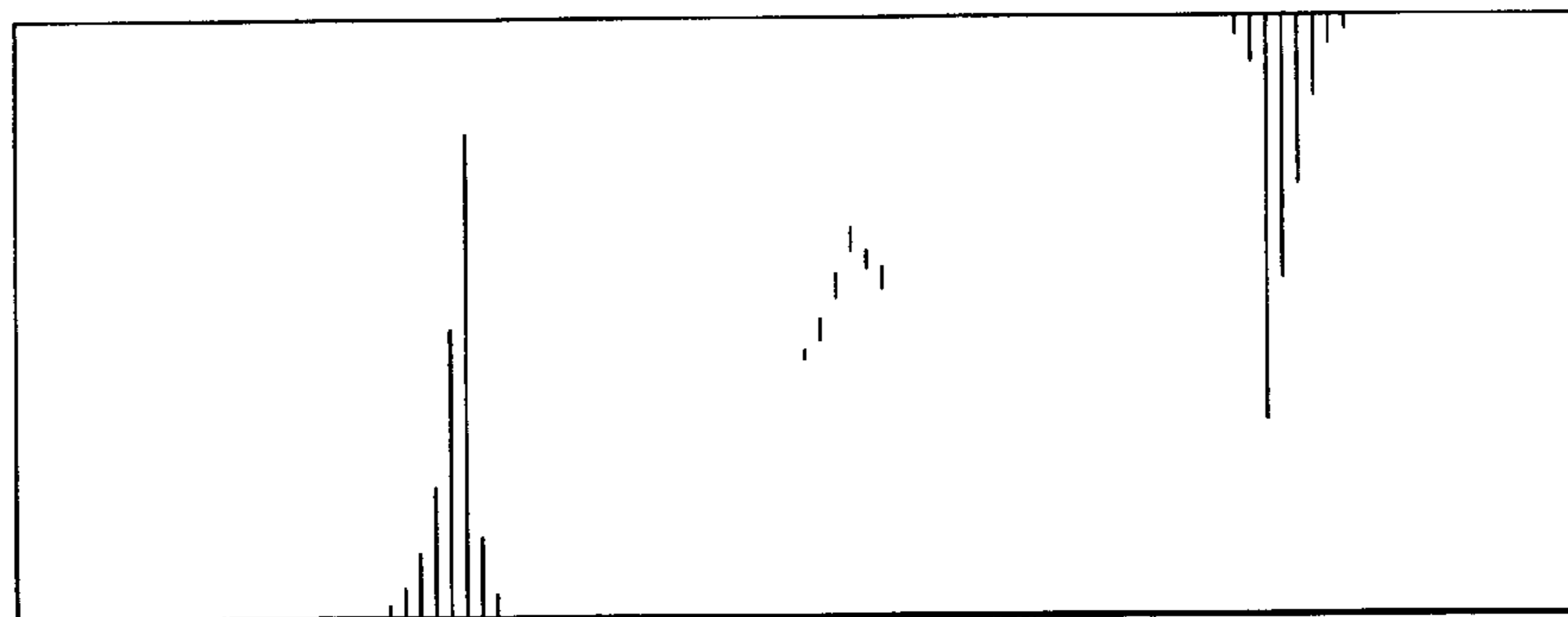
*FIG. 4.*



*FIG. 5.*



*FIG. 6.*



*FIG. 7.*