



US00D525507S

(12) **United States Design Patent**
Kirschhoffer et al.

(10) **Patent No.: US D525,507 S**

(45) **Date of Patent: ** Jul. 25, 2006**

(54) **DETAIL SANDING BLOCK**

(75) Inventors: **Jon A. Kirschhoffer**, White Bear Lake, MN (US); **Eric R. Cybulski**, Woodbury, MN (US); **Ryan Patrick Simmers**, Cottage Grove, MN (US); **Jonathan M. Lise**, Woodbury, MN (US); **Bernard A. Gonzalez**, St. Paul, MN (US); **Ian R. Owen**, Baldwin, WI (US); **Jenny L. Hicks**, Eagan, MN (US)

(73) Assignee: **3M Innovative Properties Company**, St. Paul, MN (US)

(**) Term: **14 Years**

(21) Appl. No.: **29/228,862**

(22) Filed: **Apr. 29, 2005**

(51) **LOC (8) Cl. 08-05**

(52) **U.S. Cl. D8/90**

(58) **Field of Classification Search** D8/90,
D8/94; 451/523-524, 557, 559
See application file for complete search history.

(56) **References Cited**

U.S. PATENT DOCUMENTS

762,307 A * 6/1904 Hawkworth 15/235.4
2,190,811 A * 2/1940 Van Zeeland 15/235.4
3,175,331 A * 3/1965 Klein 401/201

D310,013 S * 8/1990 Watson D8/90
D359,221 S * 6/1995 Pytlewski D8/107
D369,665 S * 5/1996 Holt D24/147
D440,213 S * 4/2001 Weiss D4/132
6,283,843 B1 * 9/2001 Romagnoli 451/523
2002/0034929 A1 * 3/2002 Bode 451/523

* cited by examiner

Primary Examiner—Philip S. Hyder

Assistant Examiner—RoseLynne (Ulm) Cody

(74) *Attorney, Agent, or Firm*—David B. Patchett

(57) **CLAIM**

The ornamental design for a detail sanding block, as shown and described.

DESCRIPTION

FIG. 1 is a left front perspective view of a detail sanding block showing the new design;

FIG. 2 is a right front perspective view thereof with the front shown in its open position;

FIG. 3 is a left side view thereof, the right side view thereof being a mirror image of the left side view shown;

FIG. 4 is a top view thereof;

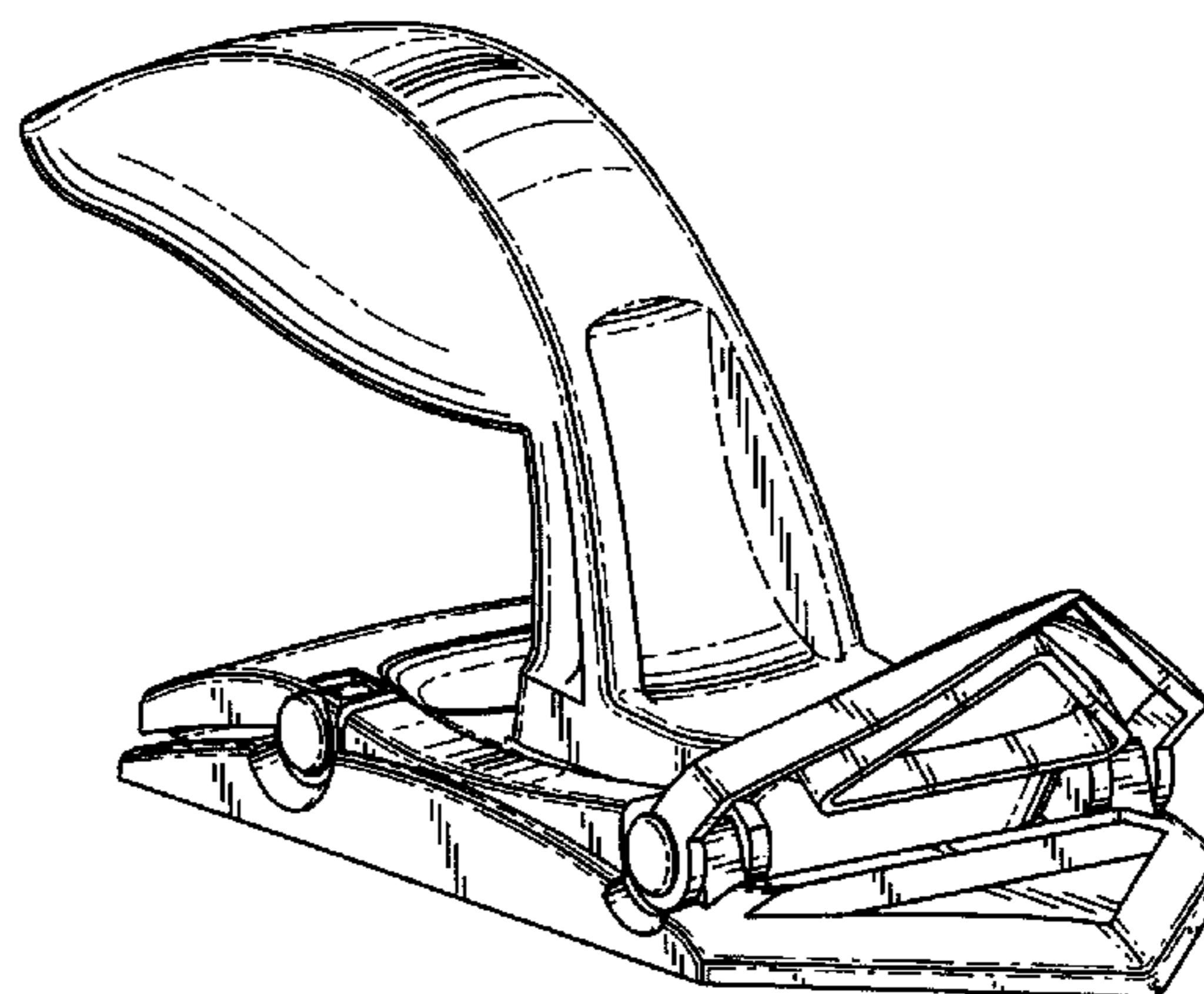
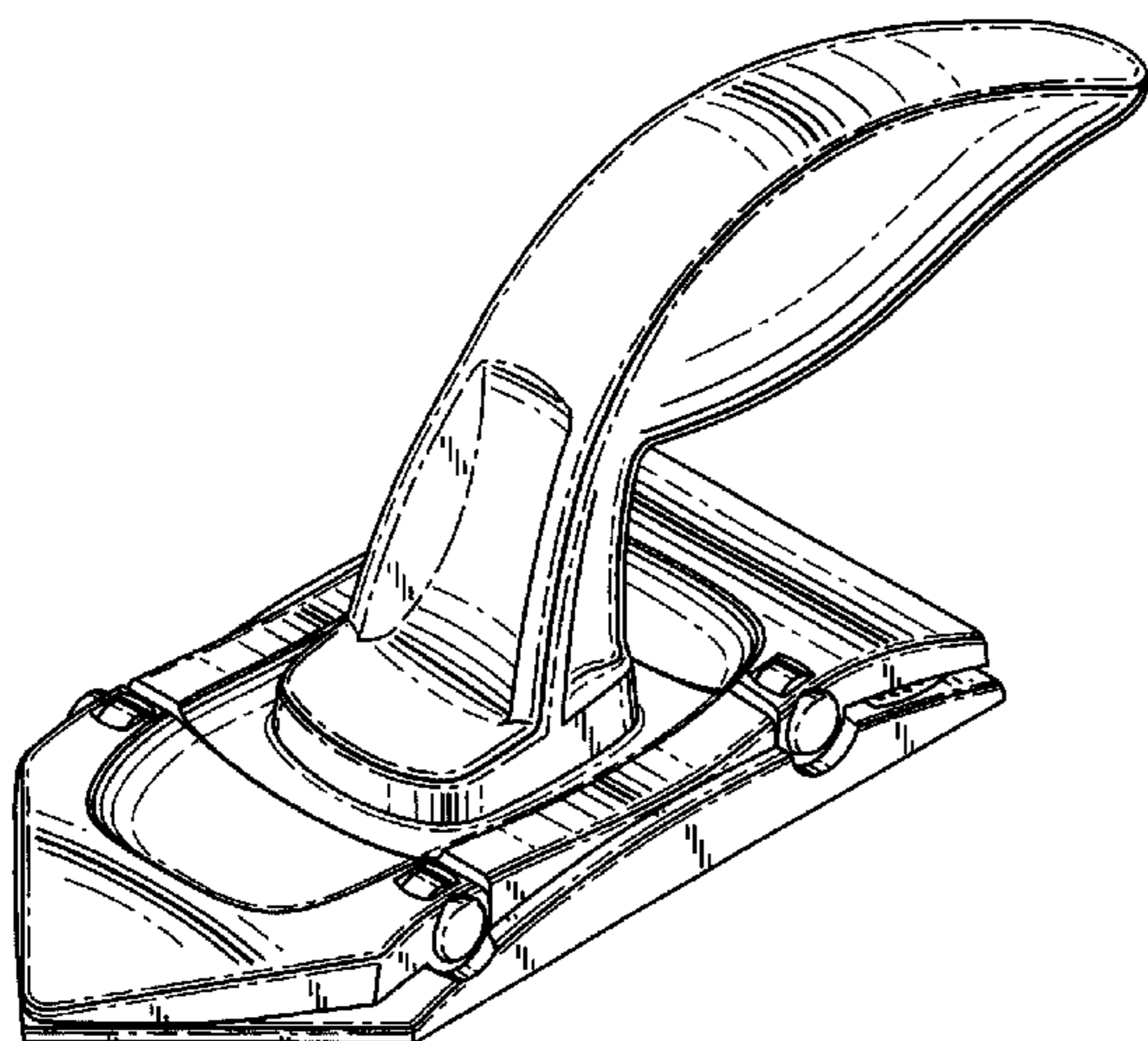
FIG. 5 is a front view thereof;

FIG. 6 is a rear view thereof; and,

FIG. 7 is a bottom view thereof.

The surface shading illustrated in the drawings is provided merely to highlight the contour of design; it is not intended to be illustrative of texture or gloss.

1 Claim, 3 Drawing Sheets



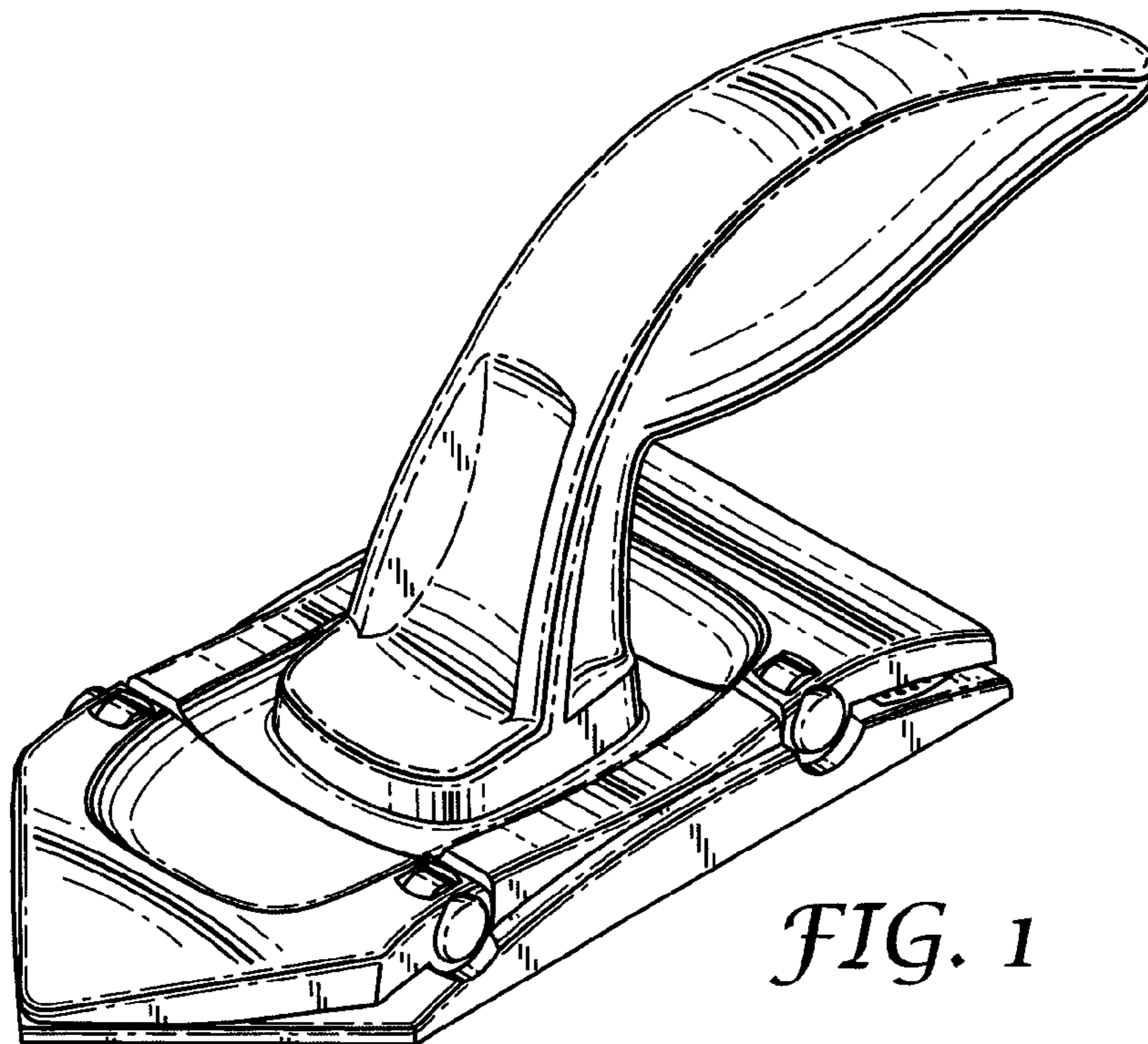


FIG. 1

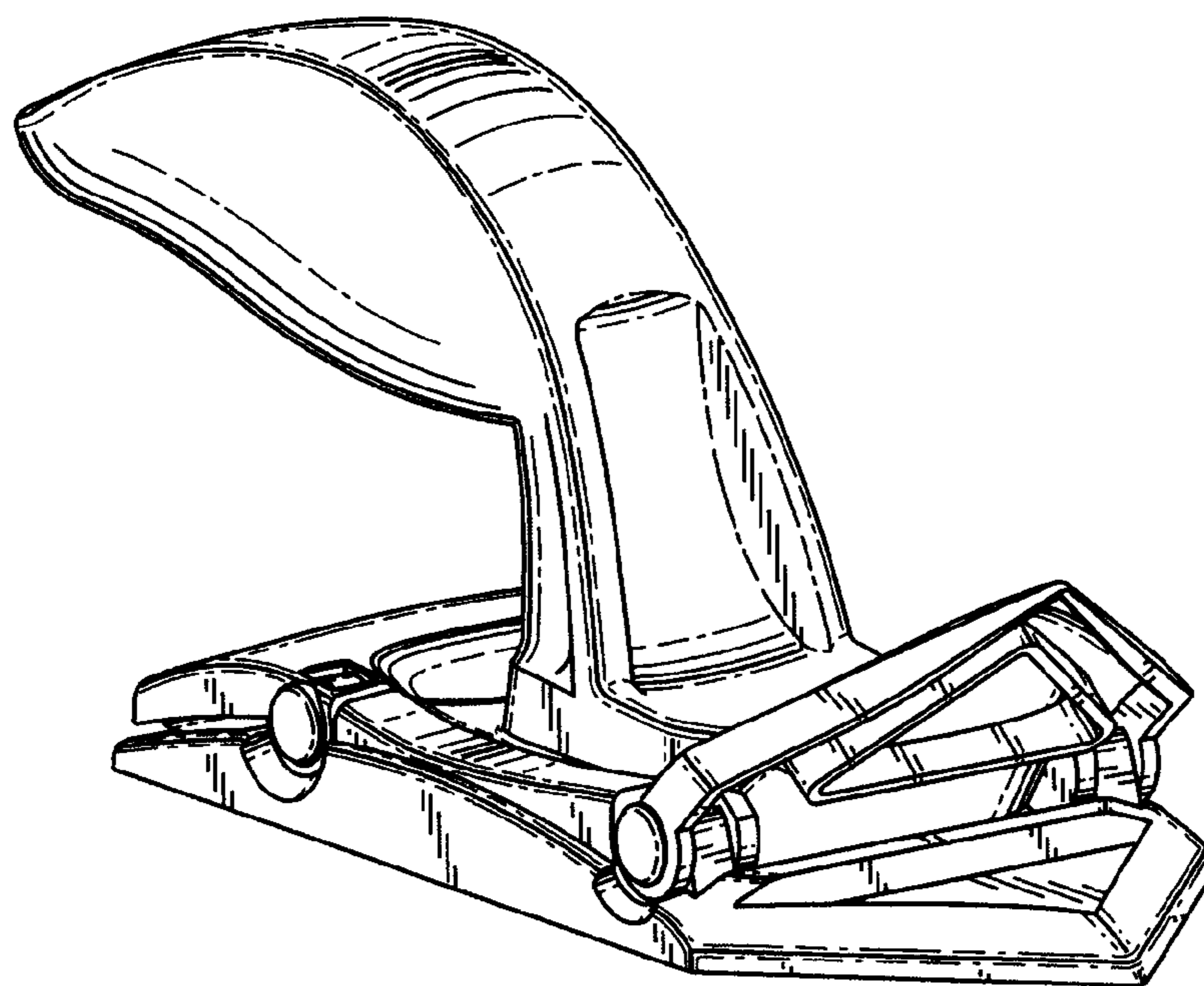


FIG. 2

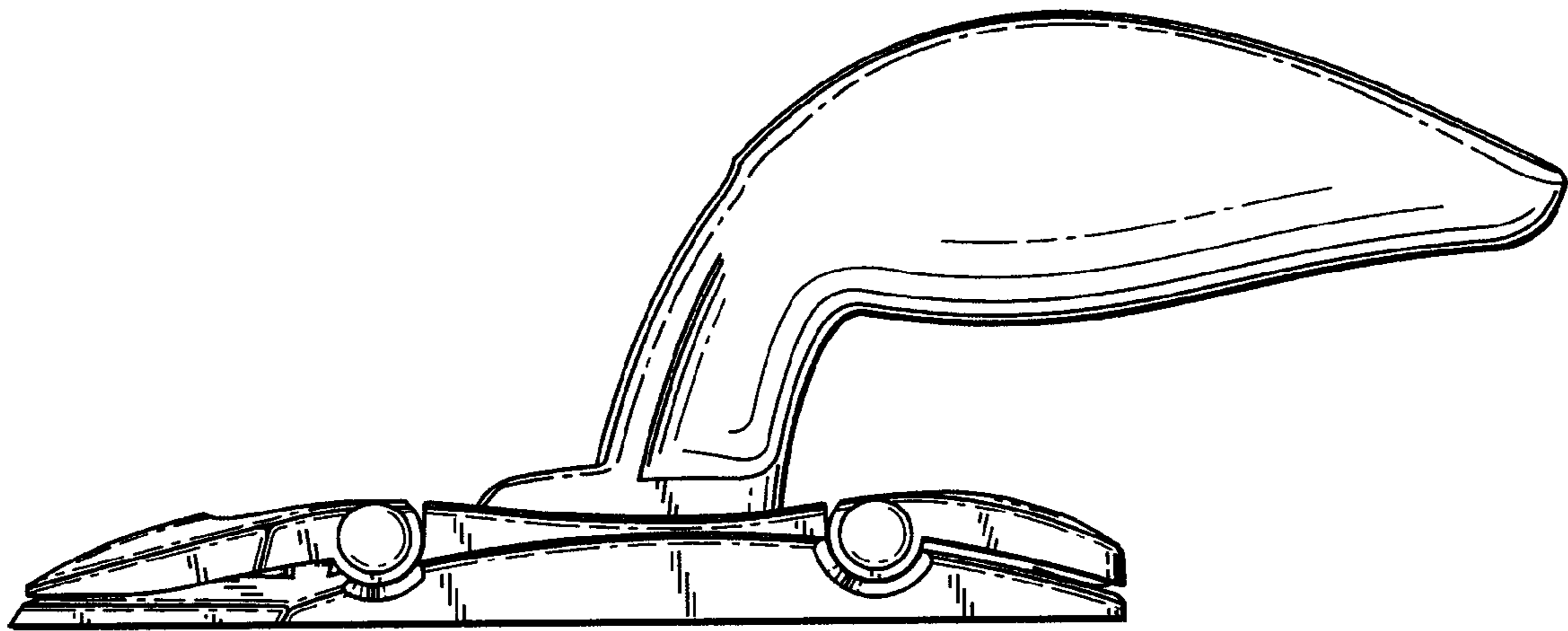


FIG. 3

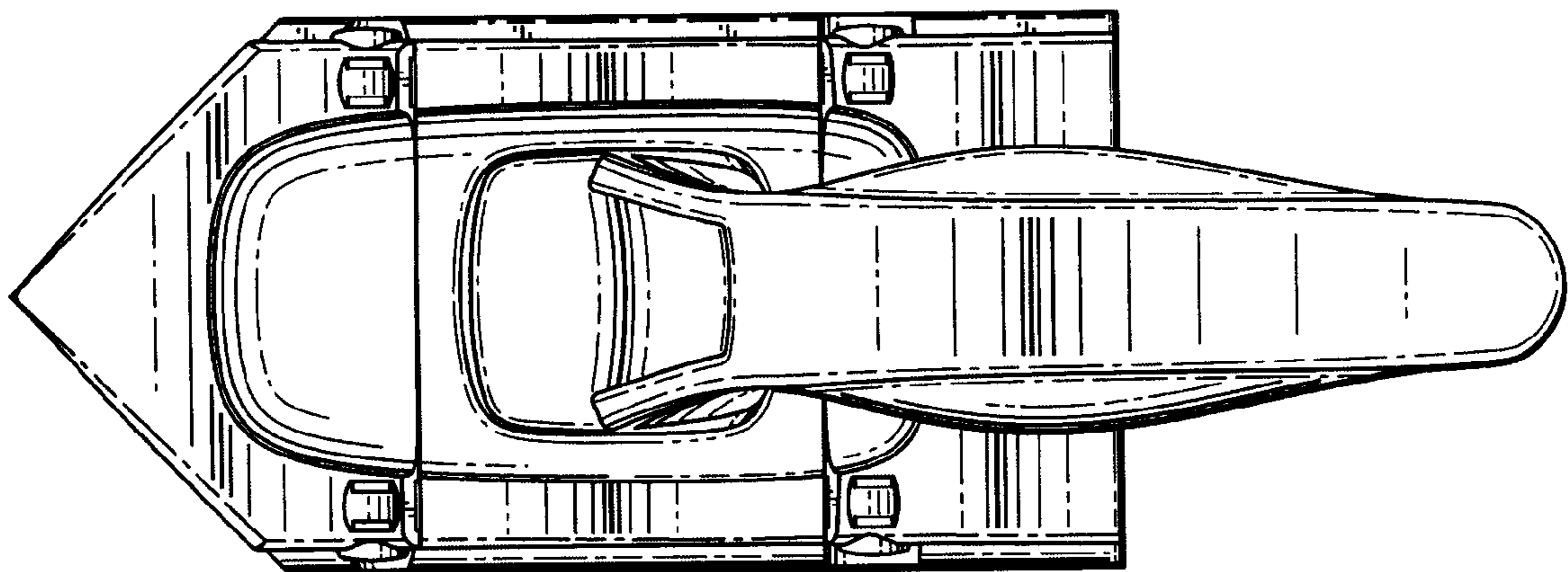


FIG. 4

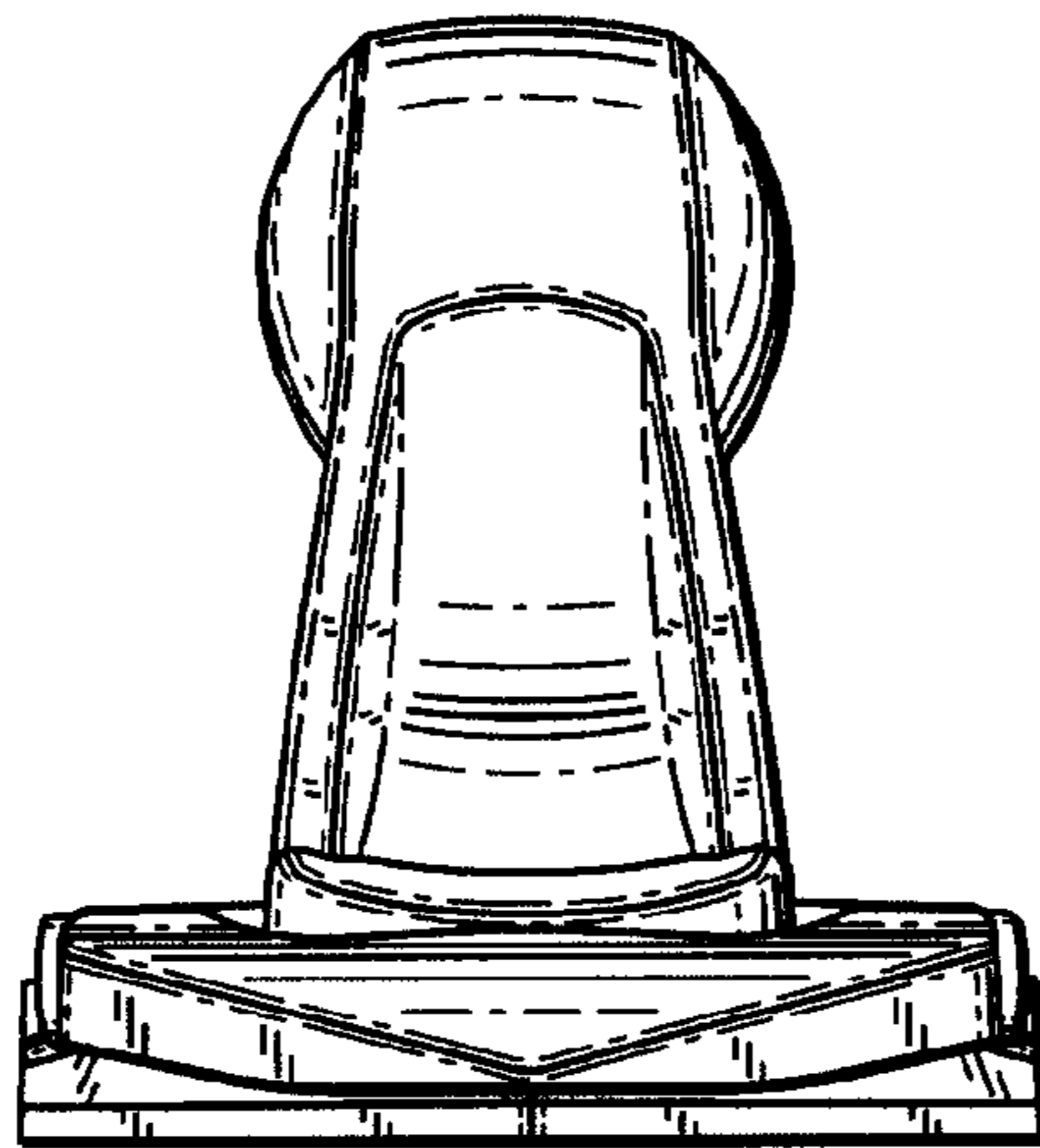


FIG. 5

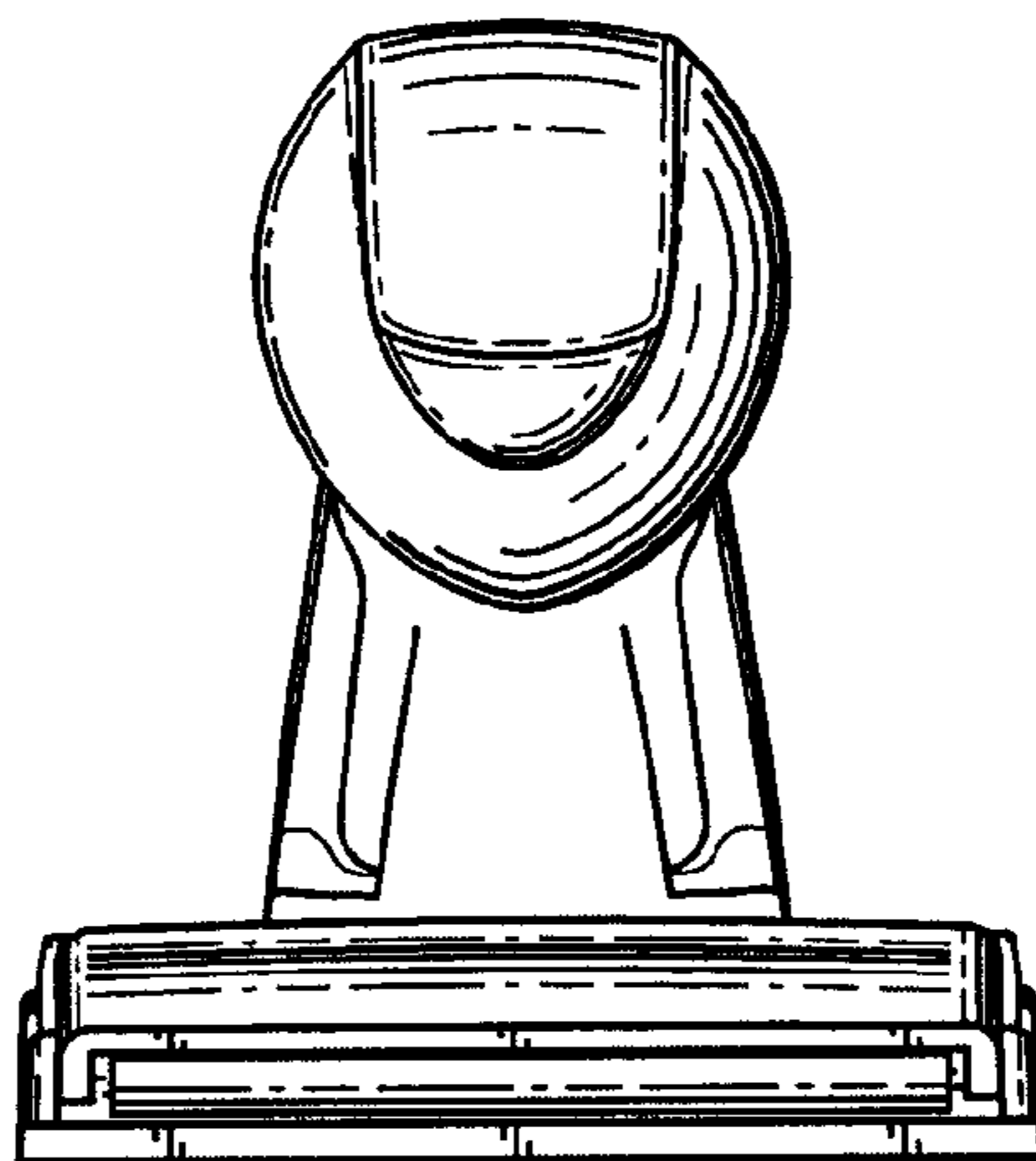


FIG. 6

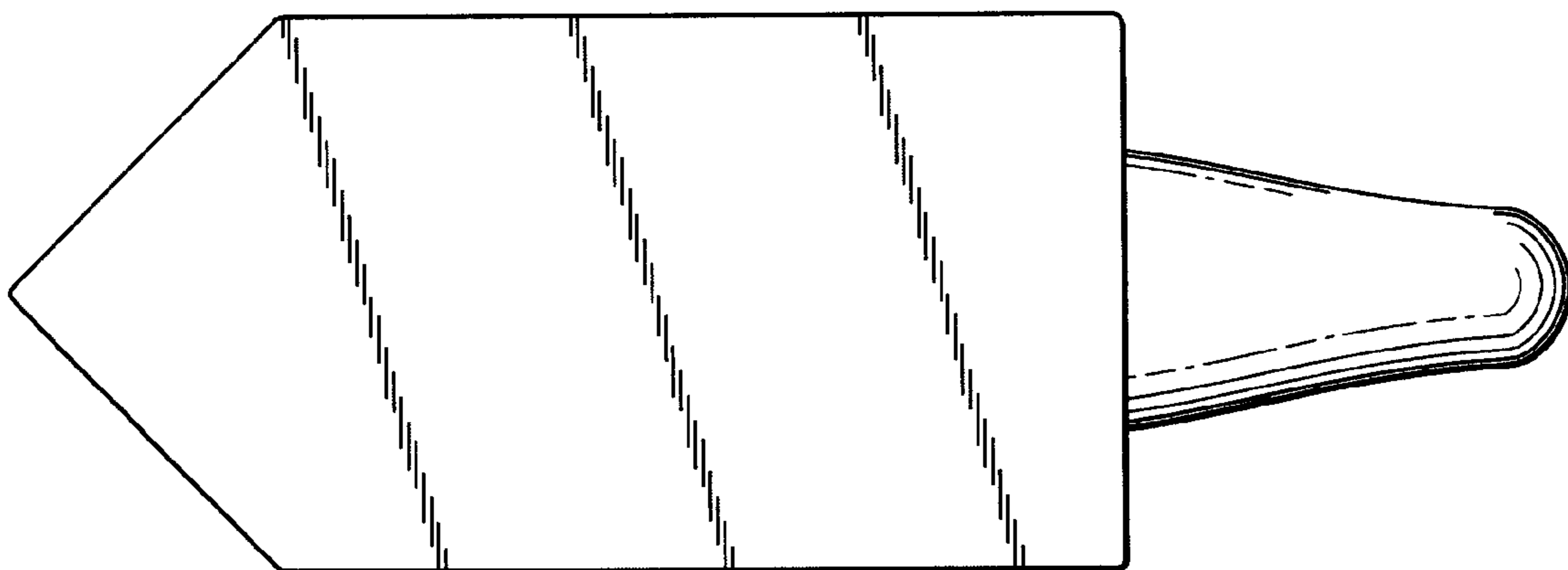


FIG. 7