

US00D525505S

(12) **United States Design Patent**
Ito et al.

(10) **Patent No.:** **US D525,505 S**

(45) **Date of Patent:** **** Jul. 25, 2006**

(54) **PORTABLE ELECTRIC DRILL**
(75) Inventors: **Miyabi Ito, Anjo (JP); Yuji Yamamoto, Anjo (JP)**
(73) Assignee: **Makita Corporation, Anjo (JP)**
(**) Term: **14 Years**

6,308,378 B1 * 10/2001 Mooty et al. 81/489
D467,483 S * 12/2002 Heun D8/68
D482,253 S * 11/2003 Cooper et al. D8/68
6,745,883 B1 * 6/2004 Eto et al. 173/178
D496,843 S * 10/2004 Sugawara et al. D8/68
D501,384 S * 2/2005 Wright et al. D8/68
D506,914 S * 7/2005 Okuda D8/68
D508,837 S * 8/2005 Andriolo D8/68
D510,007 S * 9/2005 Yamamoto D8/68
6,938,706 B1 * 9/2005 Ng 173/170
D511,080 S * 11/2005 Koch et al. D8/68
2005/0028997 A1 * 2/2005 Hagan et al. 173/178

(21) Appl. No.: **29/234,905**
(22) Filed: **Jul. 26, 2005**

(30) **Foreign Application Priority Data**

Jan. 31, 2005 (JP) 2005-002475

(51) **LOC (8) Cl.** **08-01**
(52) **U.S. Cl.** **D8/68**
(58) **Field of Classification Search** D8/14.1,
D8/61, 62, 63, 64, 65, 66, 67, 68, 69, 70;
81/57.11, 429, 464, 465, 466, 469, 489; 173/13,
173/104, 114, 168, 169, 170, 171, 178, 201,
173/211, 213, 217; 408/20, 124, 125, 234,
408/241 R; 451/358; 310/50; 227/8, 114,
227/120, 130, 136, 142

See application file for complete search history.

(56) **References Cited**

U.S. PATENT DOCUMENTS

D378,268 S * 3/1997 Schultz D8/68
D386,662 S * 11/1997 Tozawa et al. D8/68
D419,413 S * 1/2000 Heun D8/68
D420,877 S * 2/2000 Schultz D8/68
D421,883 S * 3/2000 Watson et al. D8/68
D426,126 S * 6/2000 Schultz D8/68
D435,414 S * 12/2000 Etter et al. D8/68
D436,511 S * 1/2001 Hayakawa et al. D8/68

OTHER PUBLICATIONS

Makita Cordless Drill Catalogue, Model No. DF320D and DF430D; As of Nov. 2002; (9.6 V, 12V class driver drill).

* cited by examiner

Primary Examiner—T. Chase Nelson

(74) *Attorney, Agent, or Firm*—Oliff & Berridge, PLC.

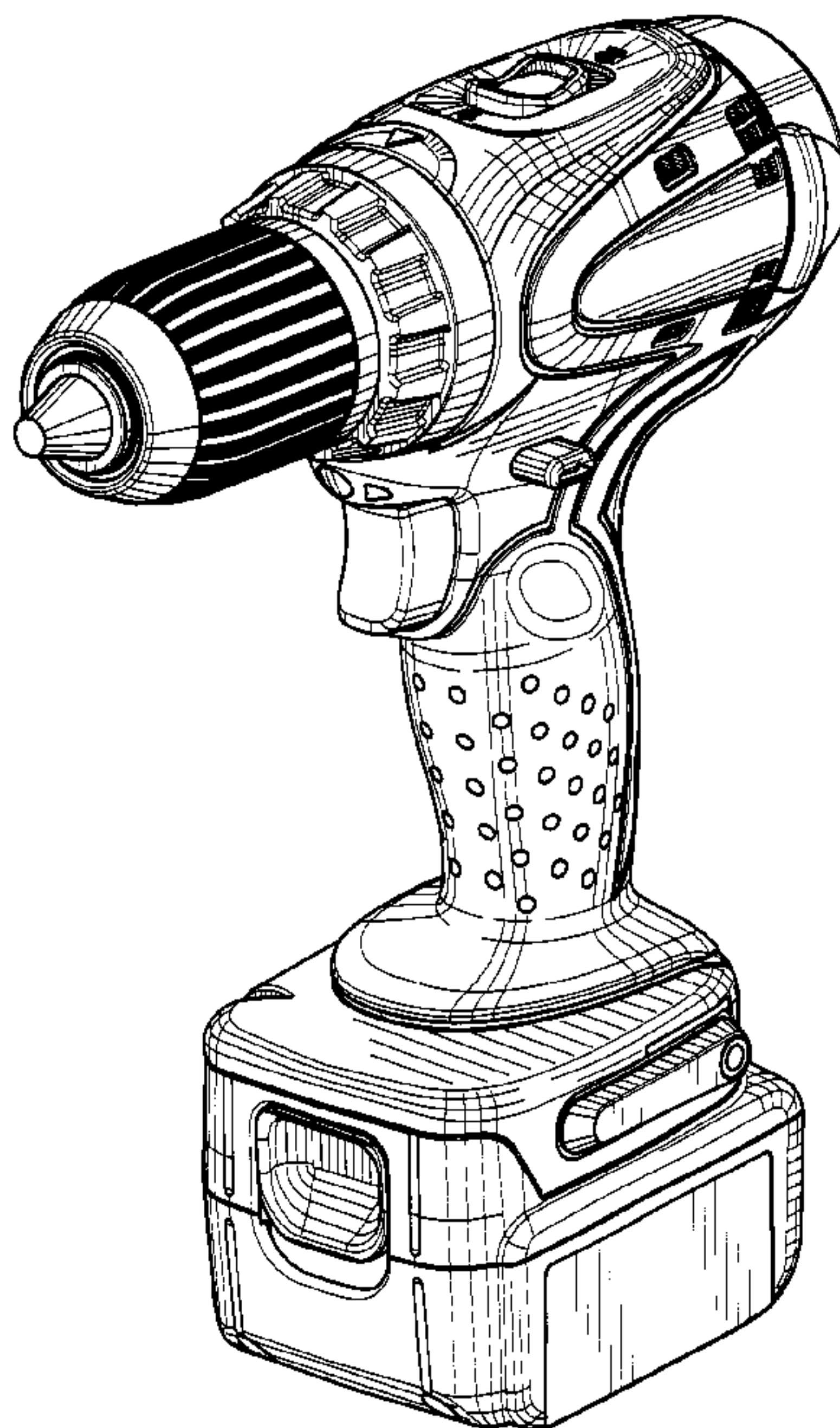
(57) **CLAIM**

The ornamental design for a portable electric drill, as shown and described.

DESCRIPTION

FIG. 1 is a front perspective view of a portable electric drill showing our new design;
FIG. 2 is a rear perspective view thereof;
FIG. 3 is a front elevation view thereof;
FIG. 4 is a rear elevation view thereof;
FIG. 5 is a left side elevation view thereof;
FIG. 6 is a right side elevation view thereof;
FIG. 7 is a top plan view thereof; and,
FIG. 8 is a bottom plan view thereof.

1 Claim, 6 Drawing Sheets



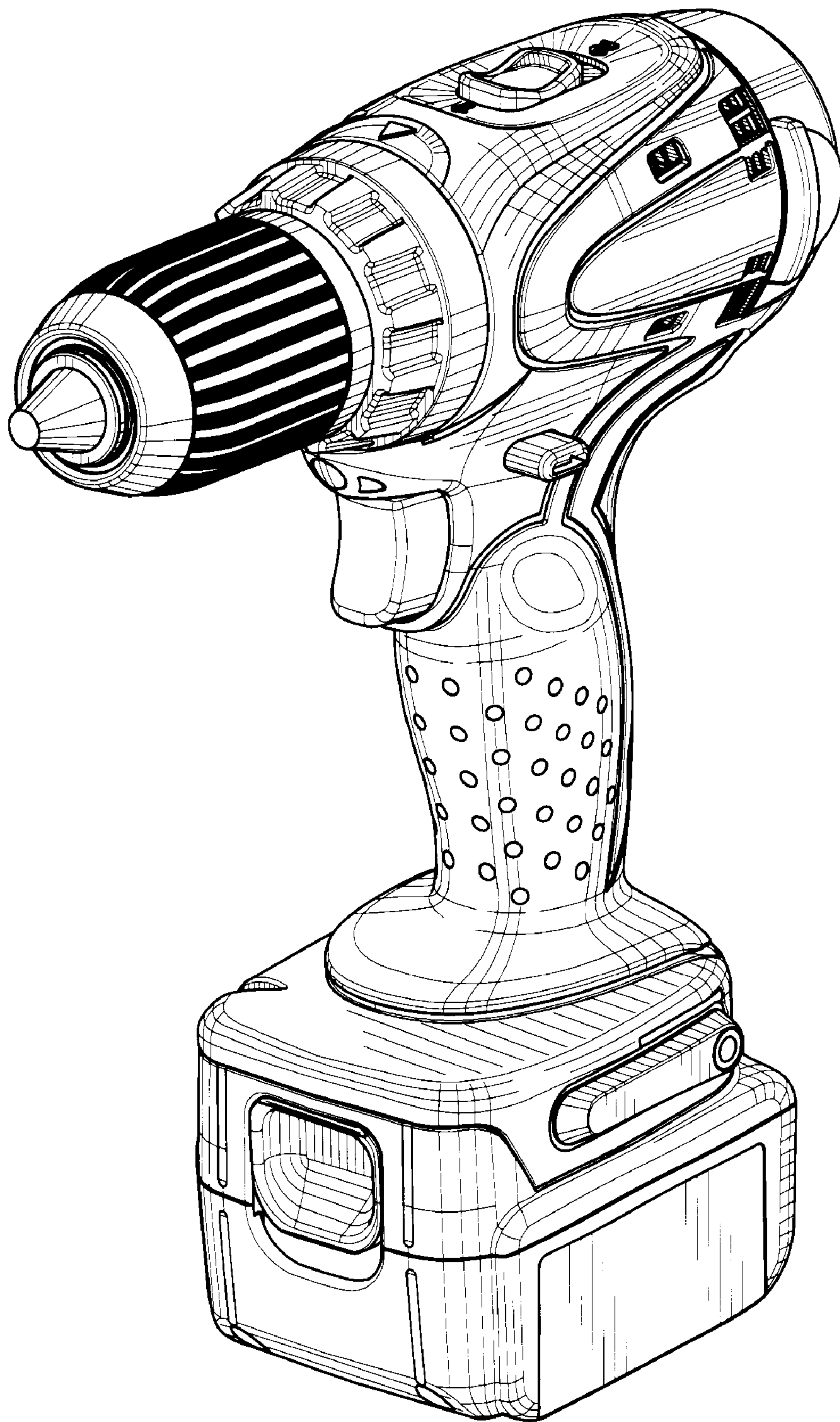


FIG. 1

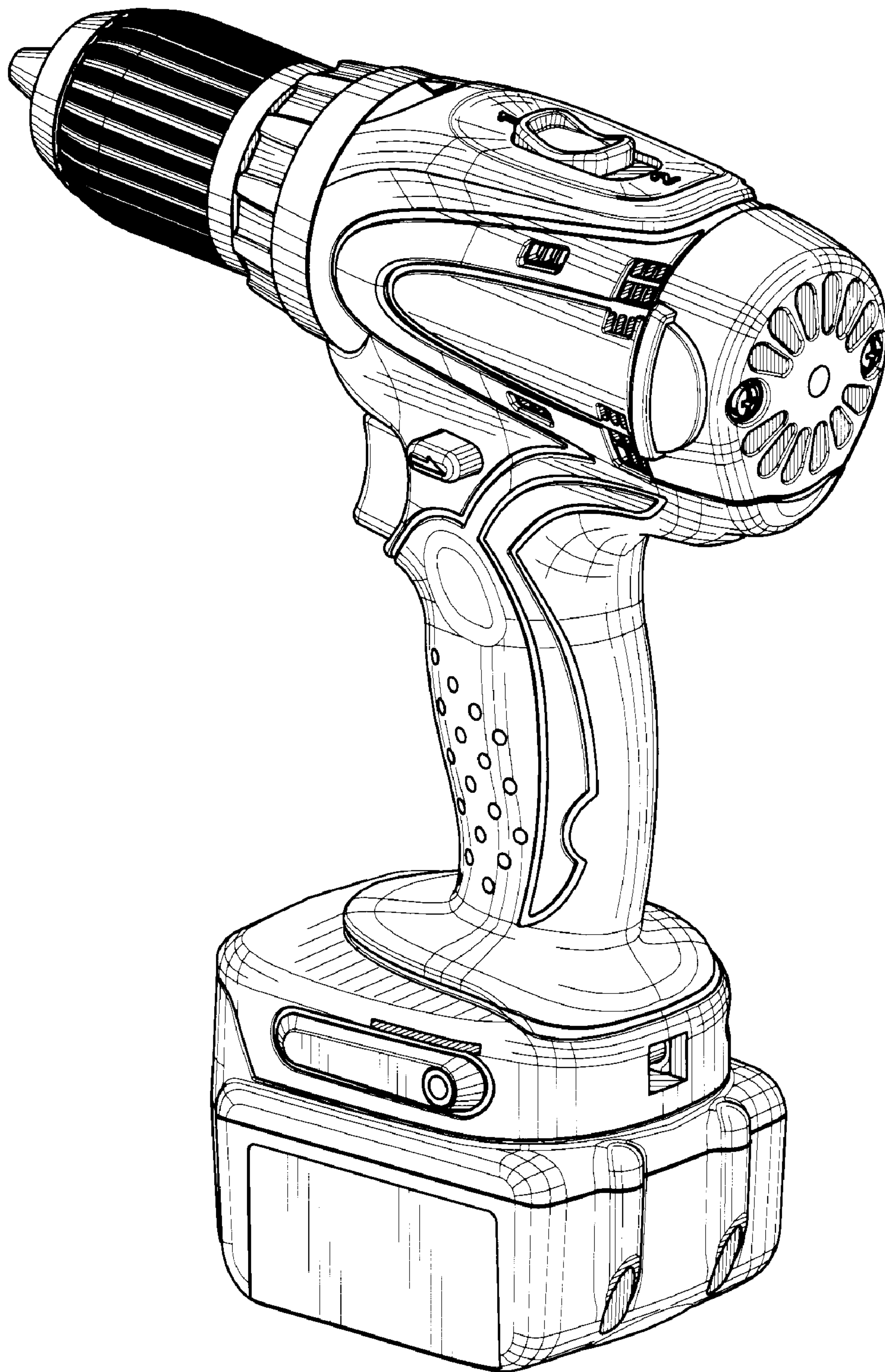


FIG. 2

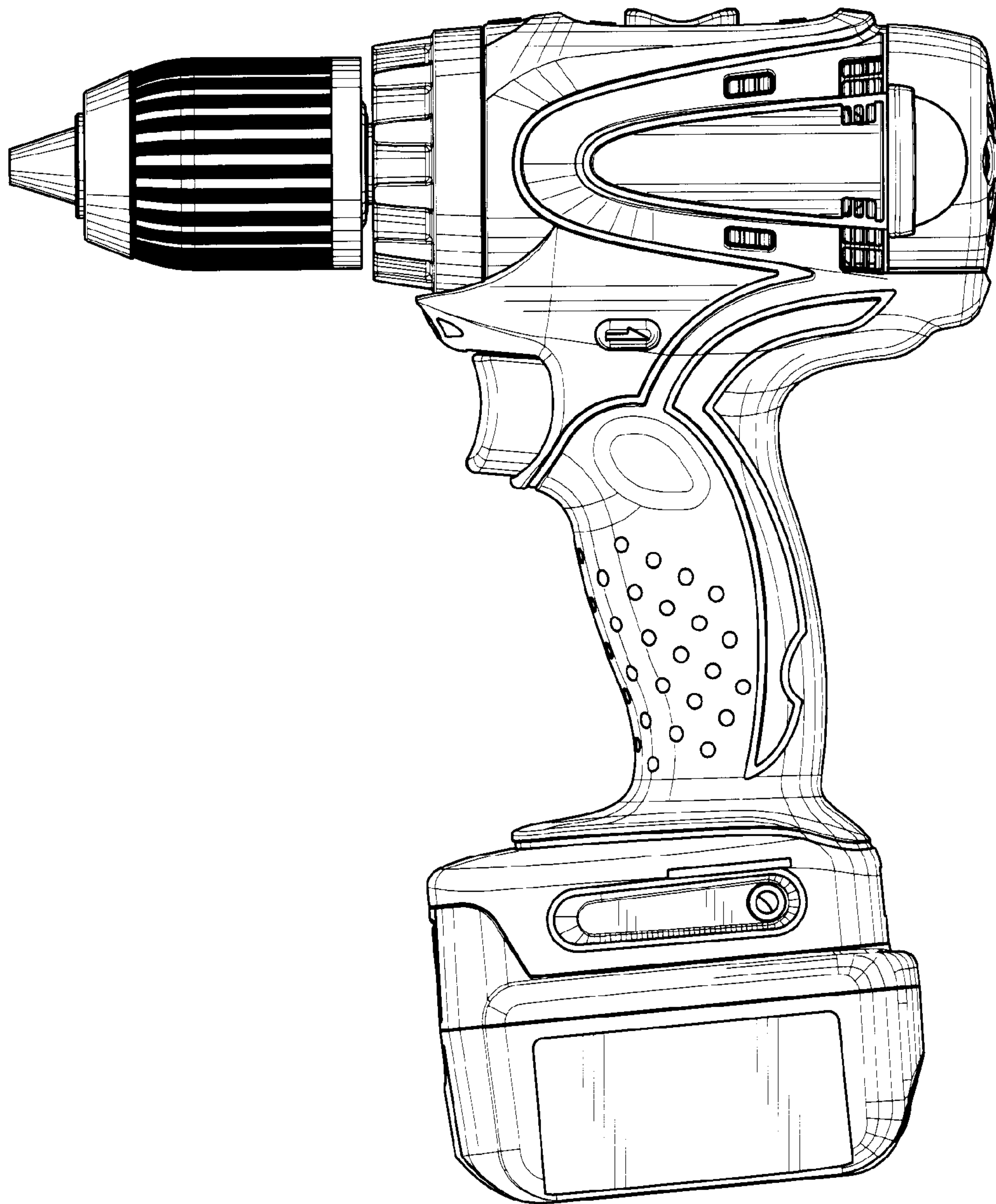


FIG. 3

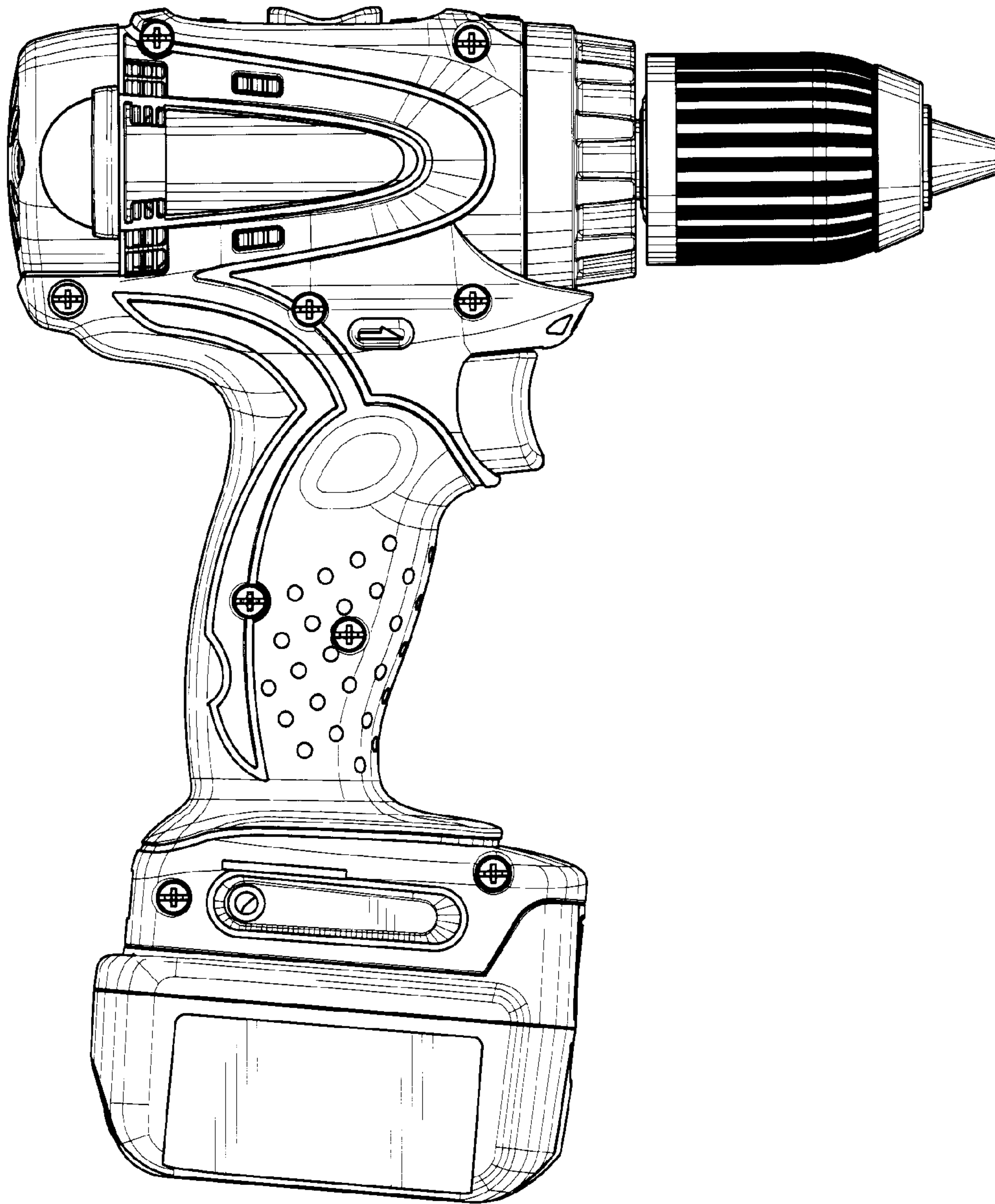


FIG. 4

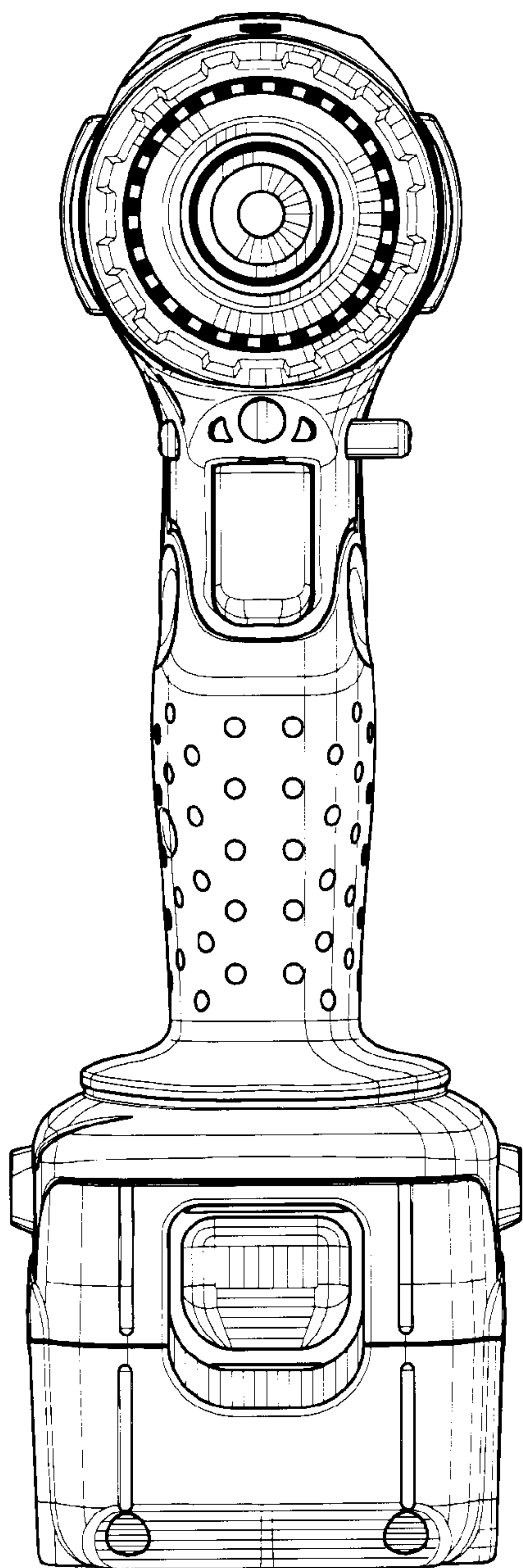


FIG. 5

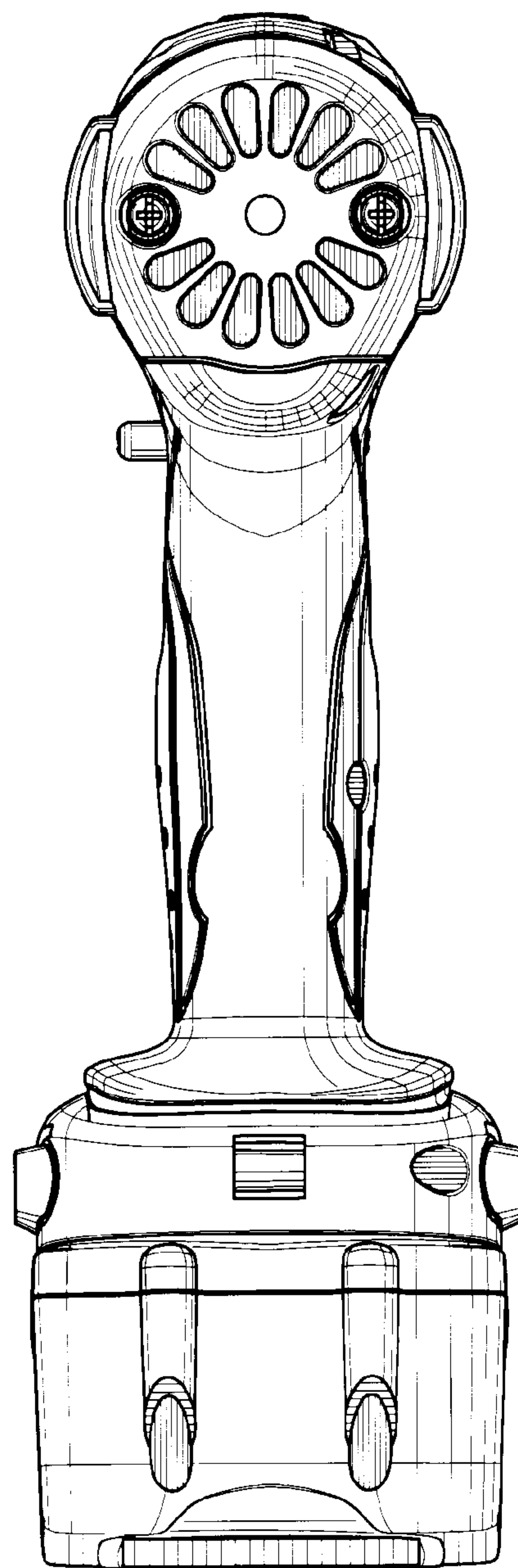


FIG. 6

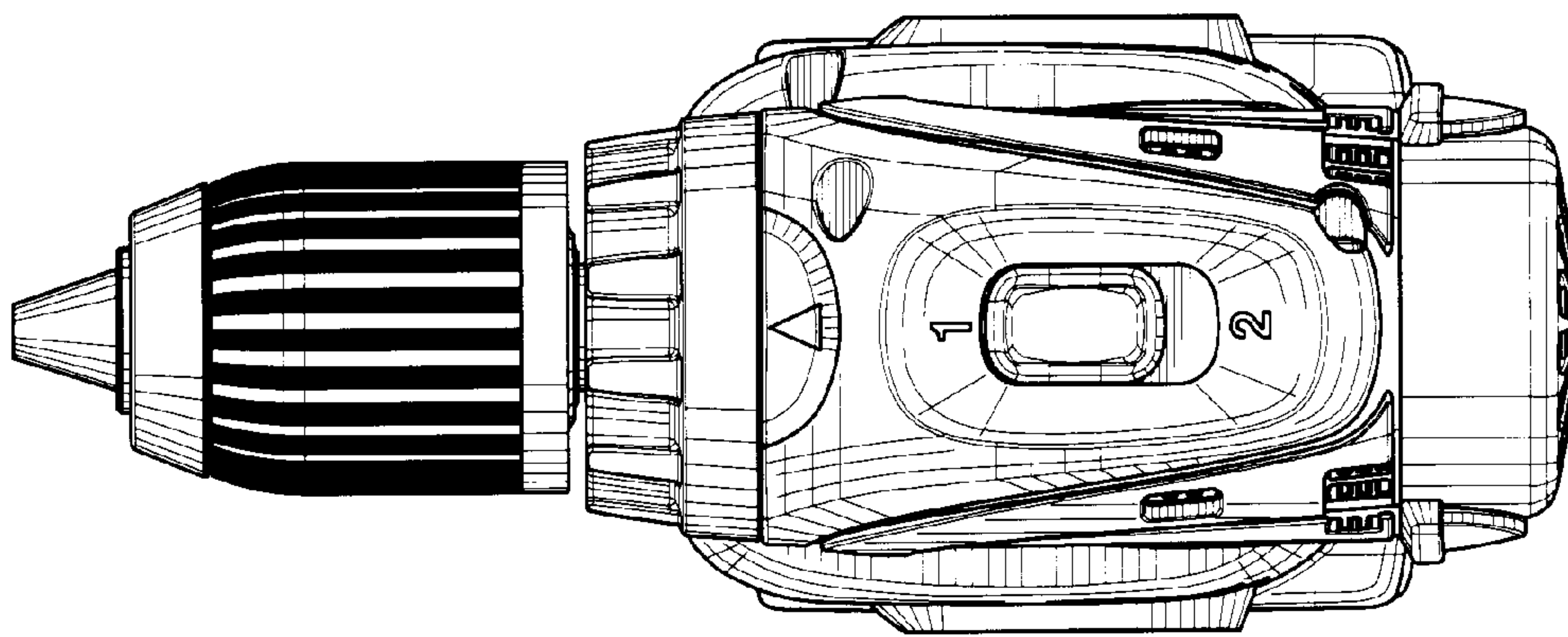


FIG. 7

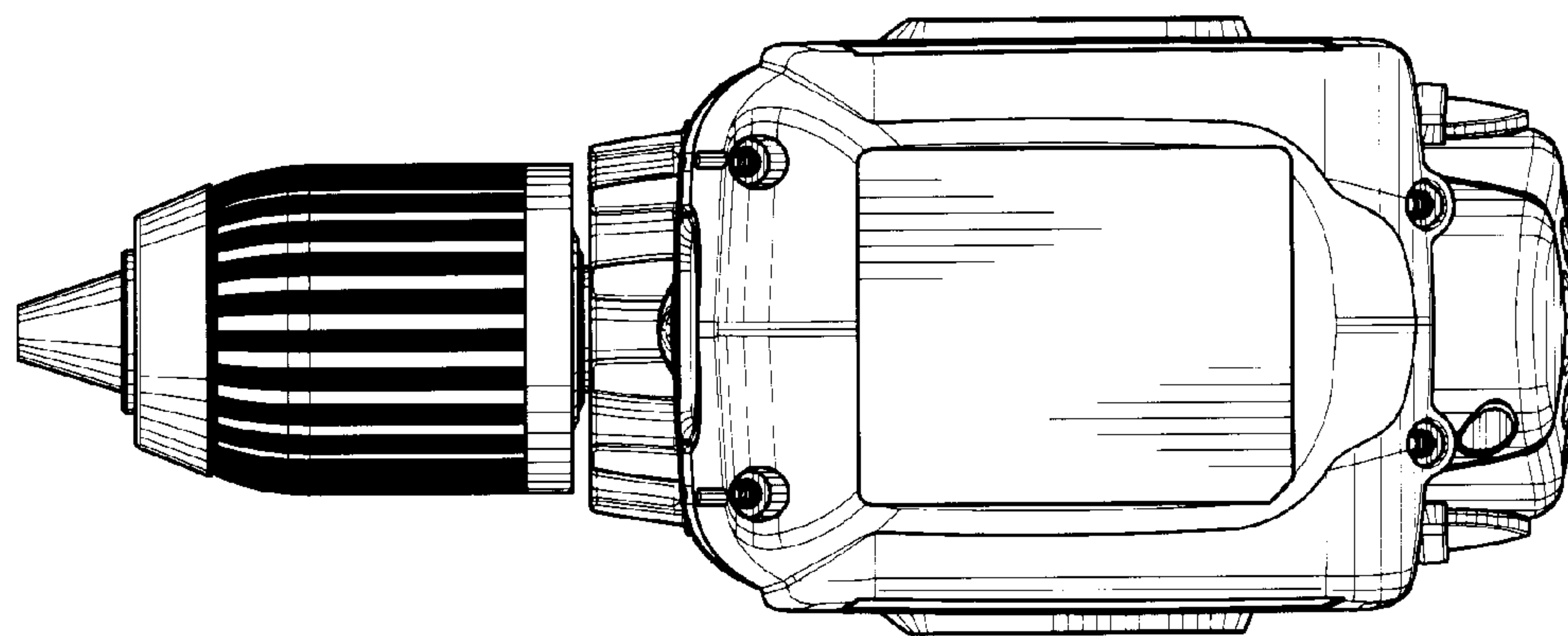


FIG. 8