

US00D525504S

(12) **United States Design Patent**
Corcoran

(10) **Patent No.:** **US D525,504 S**
(45) **Date of Patent:** **** Jul. 25, 2006**

- (54) **CIRCULAR SAW**
- (75) Inventor: **Michael Corcoran**, Hexam (GB)
- (73) Assignee: **Black & Decker Inc.**, Newark, DE (US)
- (**) Term: **14 Years**
- (21) Appl. No.: **29/222,138**
- (22) Filed: **Jan. 26, 2005**
- (30) **Foreign Application Priority Data**
Jul. 28, 2004 (EM) 000206297

DE	DMA 40109108.2	5/2002
DE	DMA 40208157.9	1/2003
DE	000074034-0001	2/2004
DE	000074034-0002	2/2004
DE	EN 000041165-0017	3/2004
DE	000123260-0011	3/2004
FR	282341	12/1989
FR	427 773-780	5/1996
FR	501 722-723	4/1998
FR	565 678	12/1999
FR	660 616-622	4/2002
FR	661 950-956	4/2002
FR	661 957-963	4/2002
FR	687 619-624	1/2003
WO	DM 054174	11/2002

- (51) **LOC (8) Cl.** **08-03**
- (52) **U.S. Cl.** **D8/66**
- (58) **Field of Classification Search** D8/69,
D8/68, 67, 66, 64, 61, 70; 83/698.41, 747;
30/166.3, 374, 373, 375, 376, 391, 377, 390,
30/388, 389; 125/13.01; 144/218
See application file for complete search history.

* cited by examiner

Primary Examiner—Cathron C. Brooks
Assistant Examiner—Austin Murphy
(74) *Attorney, Agent, or Firm*—Bruce S. Shapiro; John Yun; Wesley W. Muller

(56) **References Cited**

U.S. PATENT DOCUMENTS

2,955,629	A *	10/1960	Bork	30/376
4,602,435	A *	7/1986	Nishioka	30/372
4,856,394	A *	8/1989	Clowers	83/56
D315,854	S *	4/1991	Kawakami et al.	D8/66
5,010,651	A *	4/1991	Techter et al.	303/76
5,758,425	A *	6/1998	Gallagher et al.	30/376
5,924,207	A *	7/1999	Price et al.	30/376
6,681,493	B1 *	1/2004	Mori et al.	30/376
6,951,057	B1 *	10/2005	Yoshida et al.	30/376
2003/0024368	A1 *	2/2003	Fukuoka	83/698.41

FOREIGN PATENT DOCUMENTS

DE DMA 40005501.5 9/2000

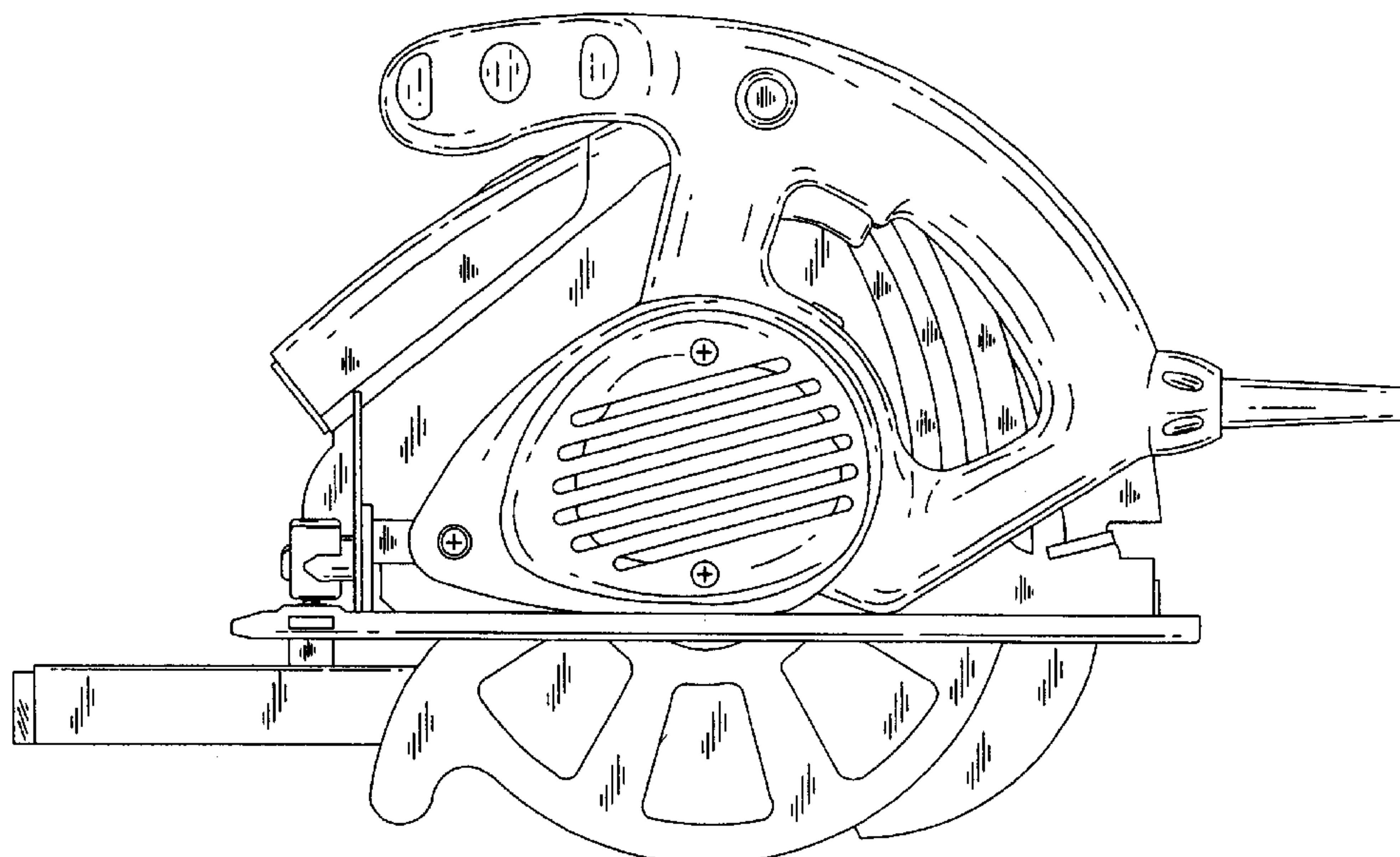
(57) **CLAIM**

The ornamental design for a circular saw, as shown and described.

DESCRIPTION

FIG. 1 is a left/front perspective view of a circular saw showing my new design.
FIG. 2 is a front view thereof.
FIG. 3 is a rear view thereof.
FIG. 4 is a left side view thereof.
FIG. 5 is a right side view thereof.
FIG. 6 is a top plan view thereof; and,
FIG. 7 is a bottom plan view thereof.

1 Claim, 7 Drawing Sheets



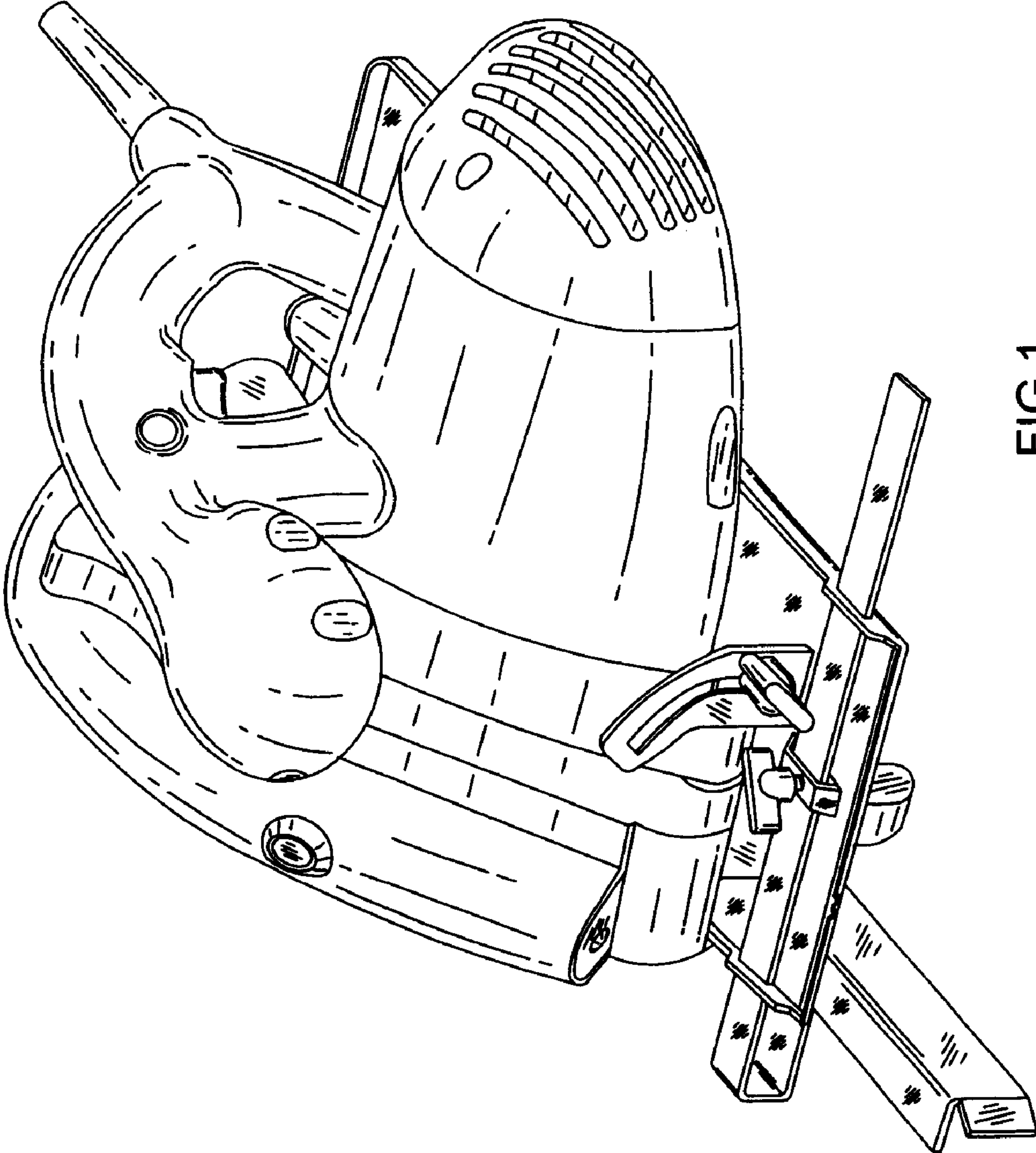


FIG.1

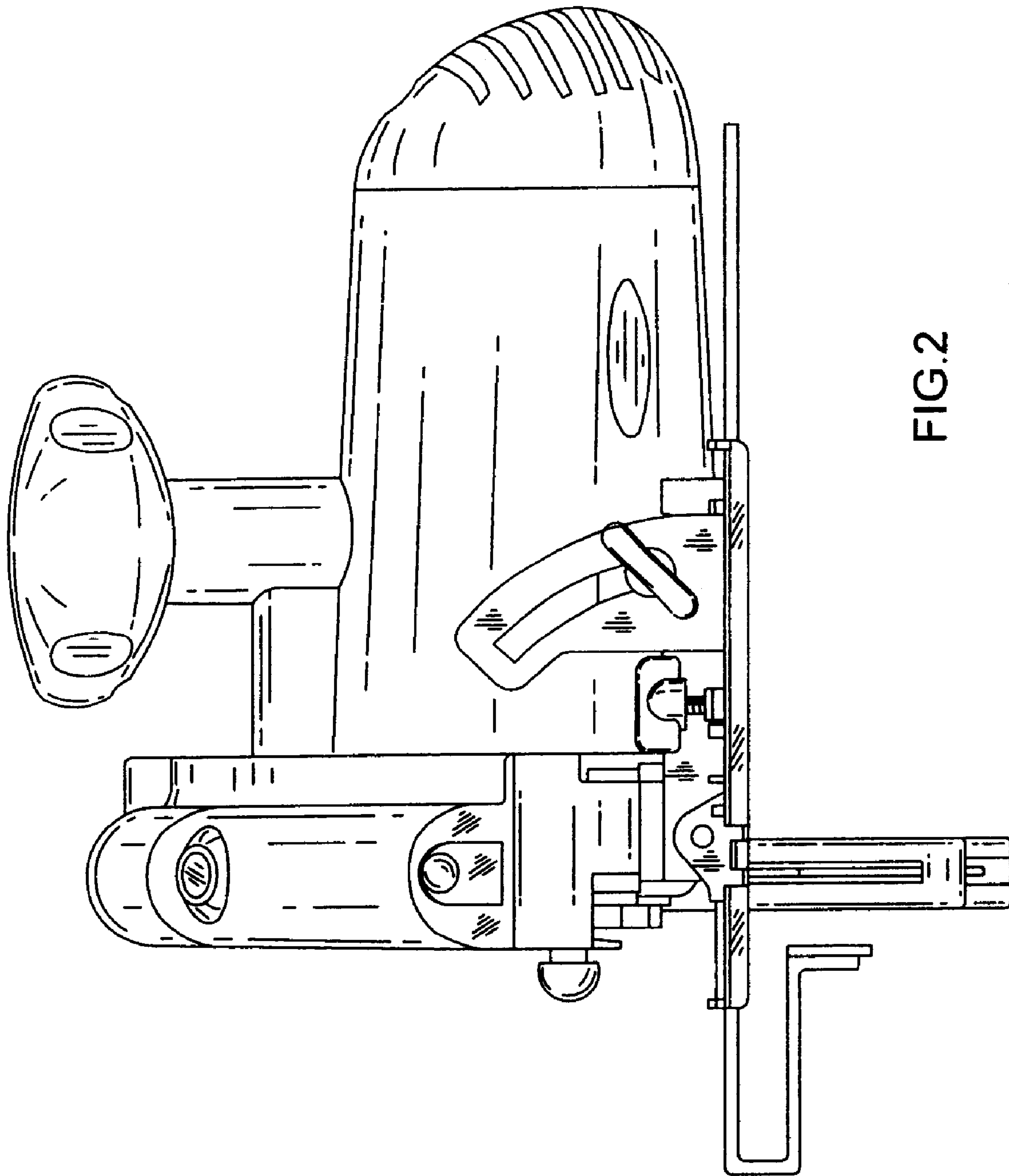


FIG. 2

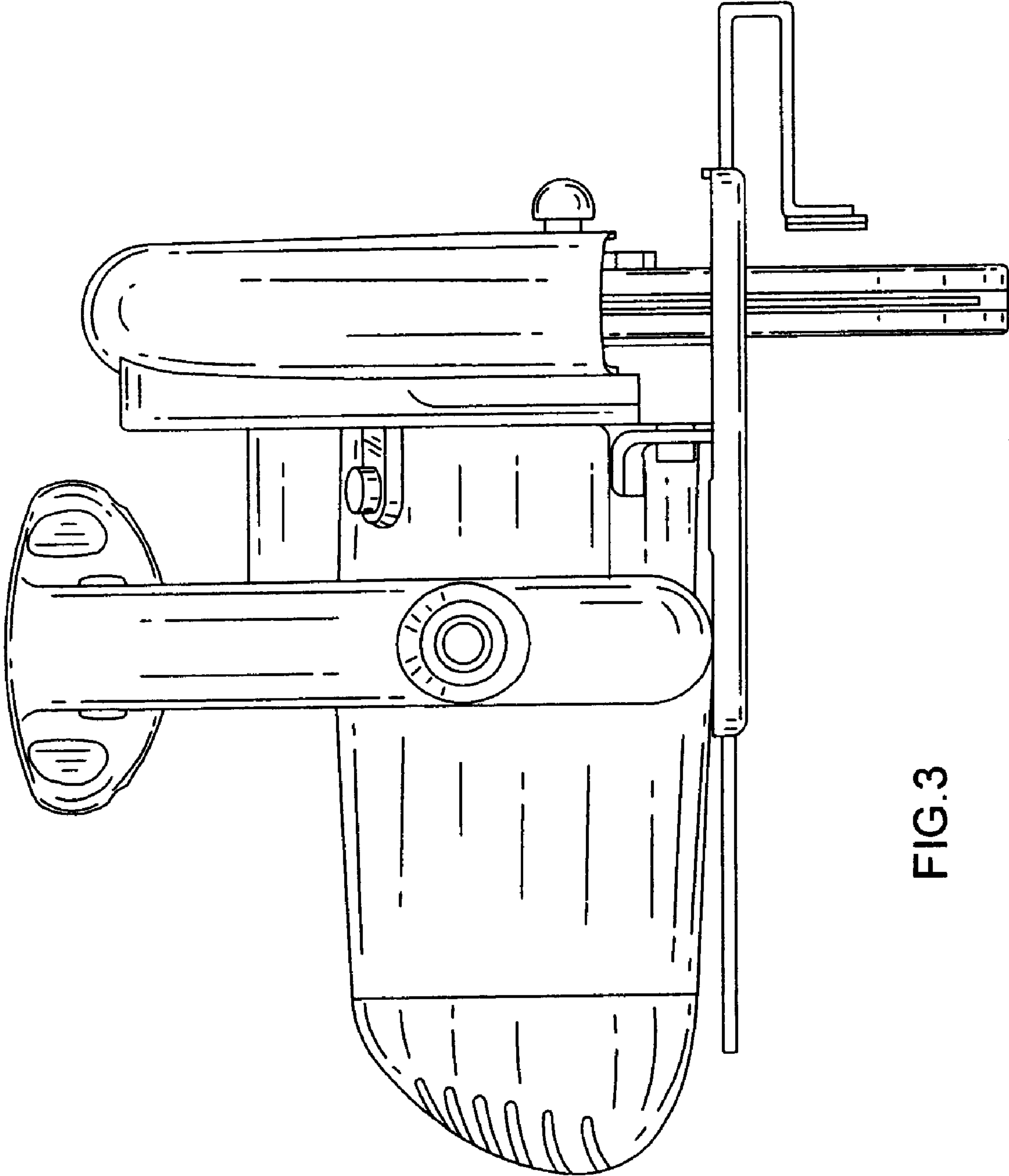


FIG. 3

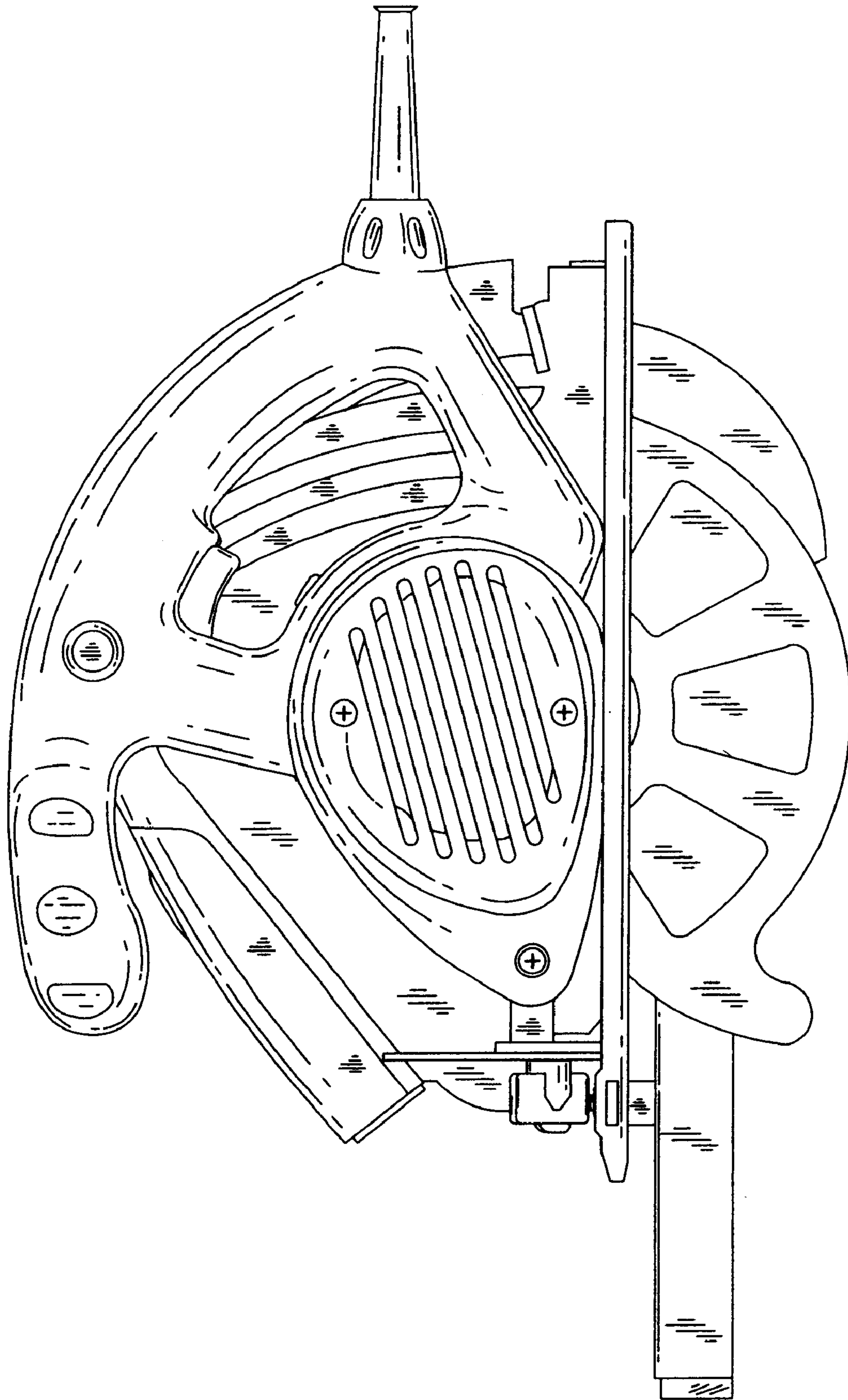


FIG.4

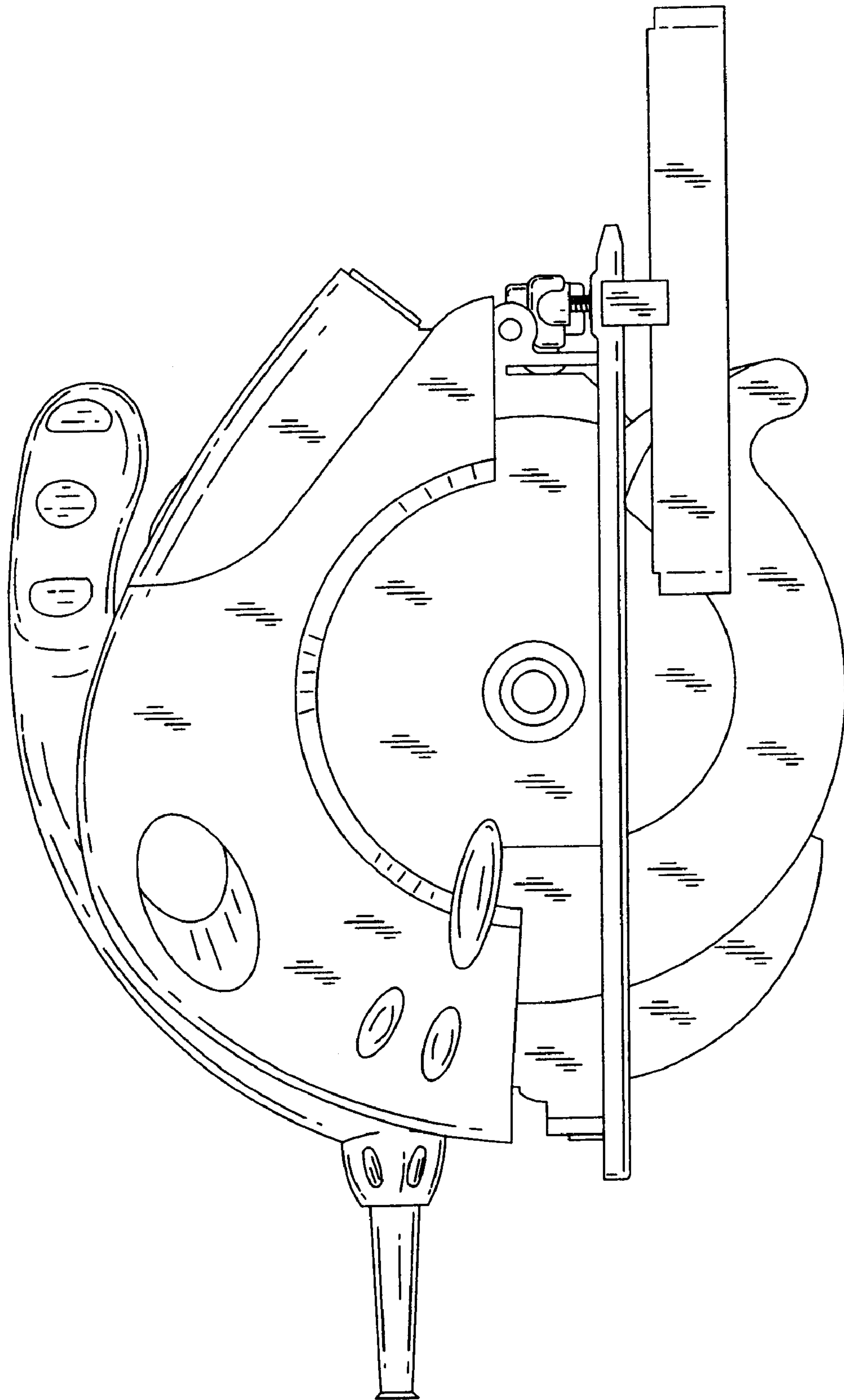


FIG. 5

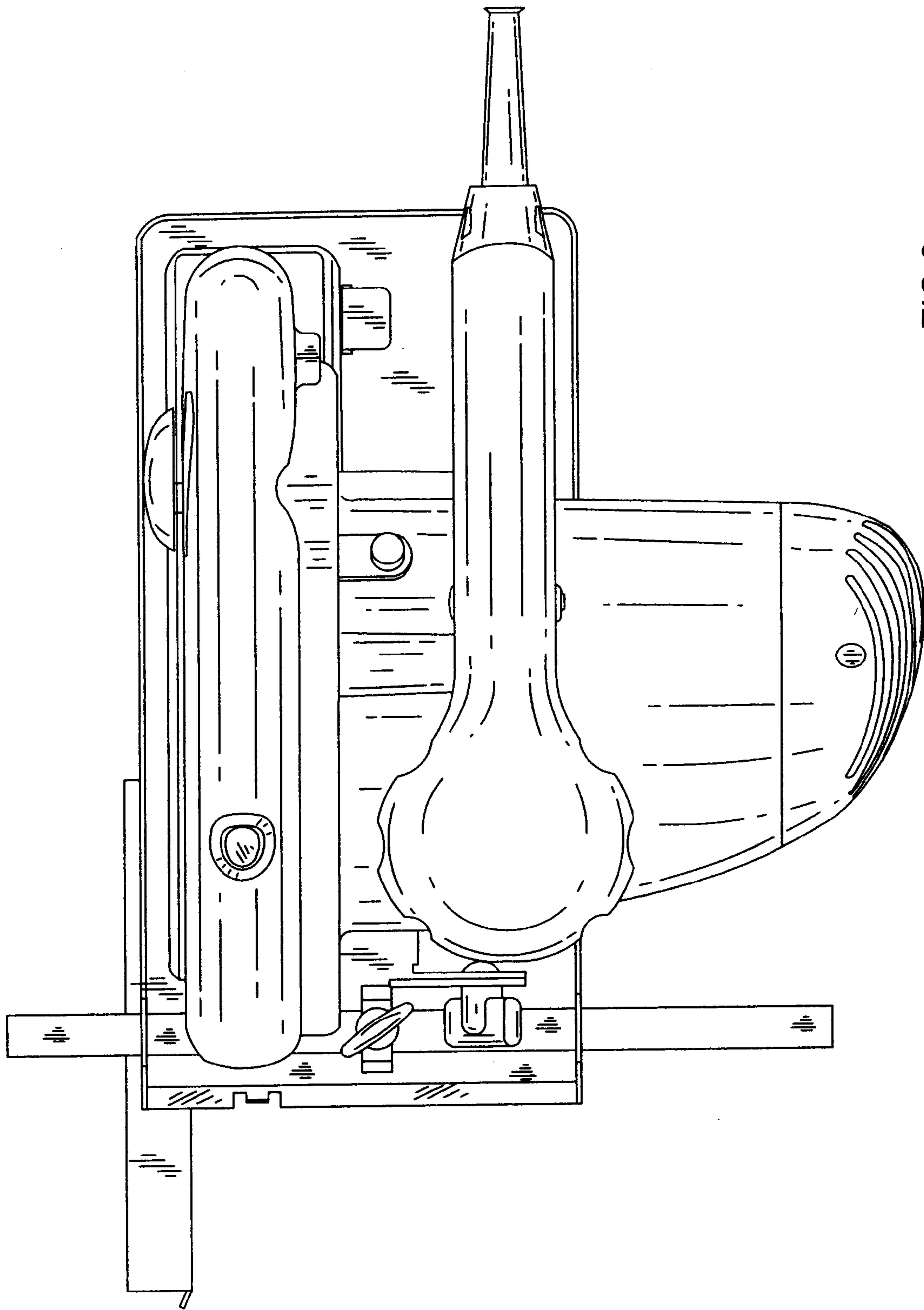


FIG.6

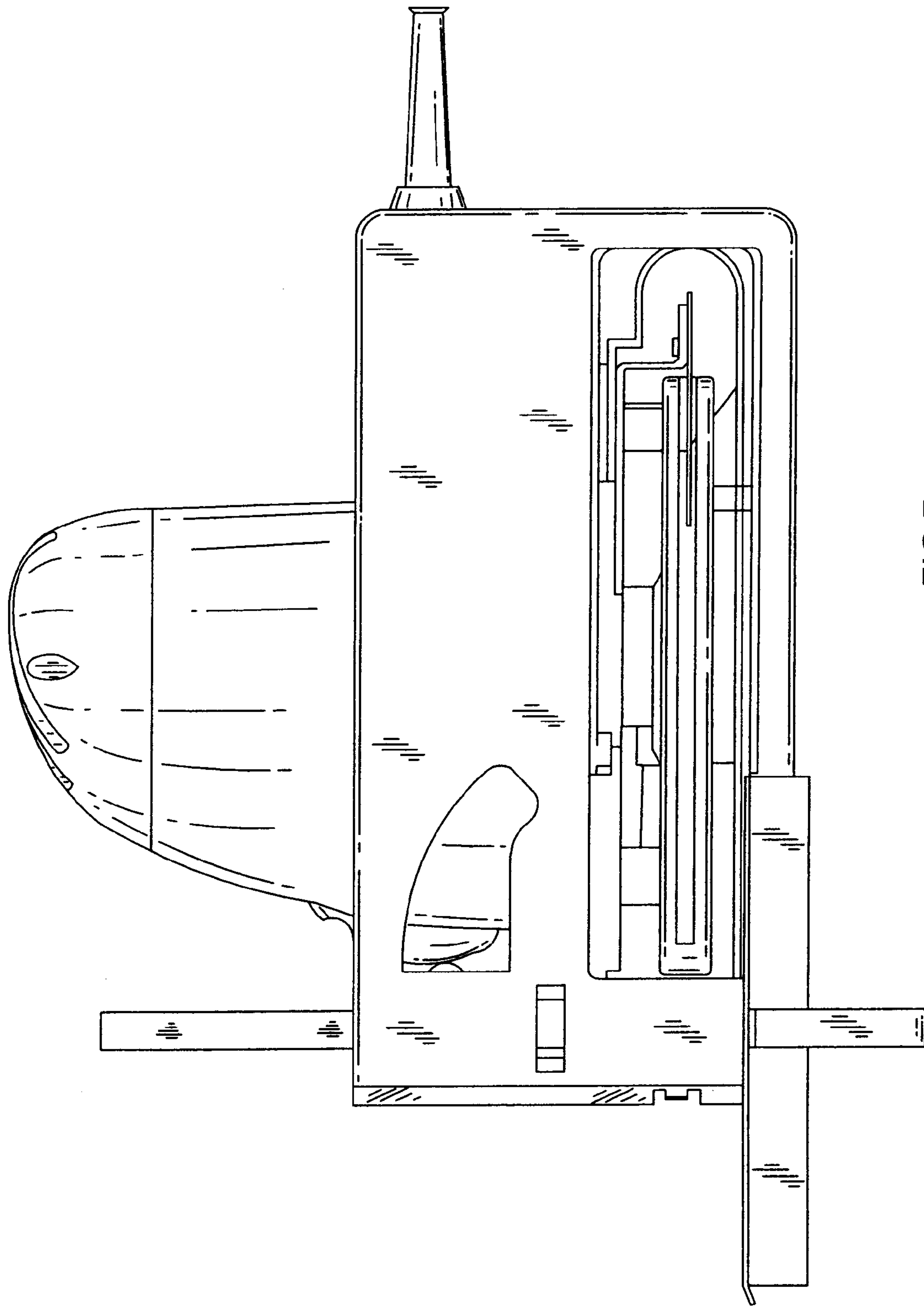


FIG. 7