



US00D525503S

(12) **United States Design Patent**
Waldron

(10) **Patent No.:** **US D525,503 S**

(45) **Date of Patent:** **** Jul. 25, 2006**

(54) **CIRCULAR LASER SAW**

(75) Inventor: **Michael Waldron**, County Durham
(GB)

(73) Assignee: **GMCA PTY Ltd.** (AU)

(**) Term: **14 Years**

(21) Appl. No.: **29/209,283**

(22) Filed: **Jul. 14, 2004**

(30) **Foreign Application Priority Data**

Feb. 3, 2004 (EM) 136882

(51) **LOC (8) Cl.** **08-03**

(52) **U.S. Cl.** **D8/66**

(58) **Field of Classification Search** D8/69,
D8/68, 67, 66, 64, 61, 70; 83/698.41, 747;
30/166.3, 374, 373, 375, 376, 391, 377, 390,
30/388, 389; 125/13.01; 144/218

See application file for complete search history.

(56) **References Cited**

U.S. PATENT DOCUMENTS

5,121,545 A * 6/1992 Nonaka et al. 30/376
D329,363 S * 9/1992 Sasaki et al. D8/66
D334,523 S * 4/1993 Hoshino et al. D8/66
5,327,649 A * 7/1994 Skinner 30/124
5,873,169 A * 2/1999 James et al. 30/391
5,924,207 A * 7/1999 Price et al. 30/376

6,167,626 B1 * 1/2001 Doumani et al. 30/124
D453,099 S * 1/2002 Welsh D8/66
D474,952 S * 5/2003 Andriolo D8/66
6,681,493 B1 * 1/2004 Mori et al. 30/376
D499,001 S * 11/2004 Wu D8/66
D501,776 S * 2/2005 Wu D8/66
D502,373 S * 3/2005 Wu D8/66
D503,878 S * 4/2005 Tillman et al. D8/66
6,951,057 B1 * 10/2005 Yoshida et al. 30/376
2003/0024128 A1 * 2/2003 Kani 30/376
2003/0024368 A1 * 2/2003 Fukuoka 83/698.41

* cited by examiner

Primary Examiner—Cathron C. Brooks

Assistant Examiner—Austin Murphy

(74) *Attorney, Agent, or Firm*—McKee, Voorhees & Sease,
P.L.C.

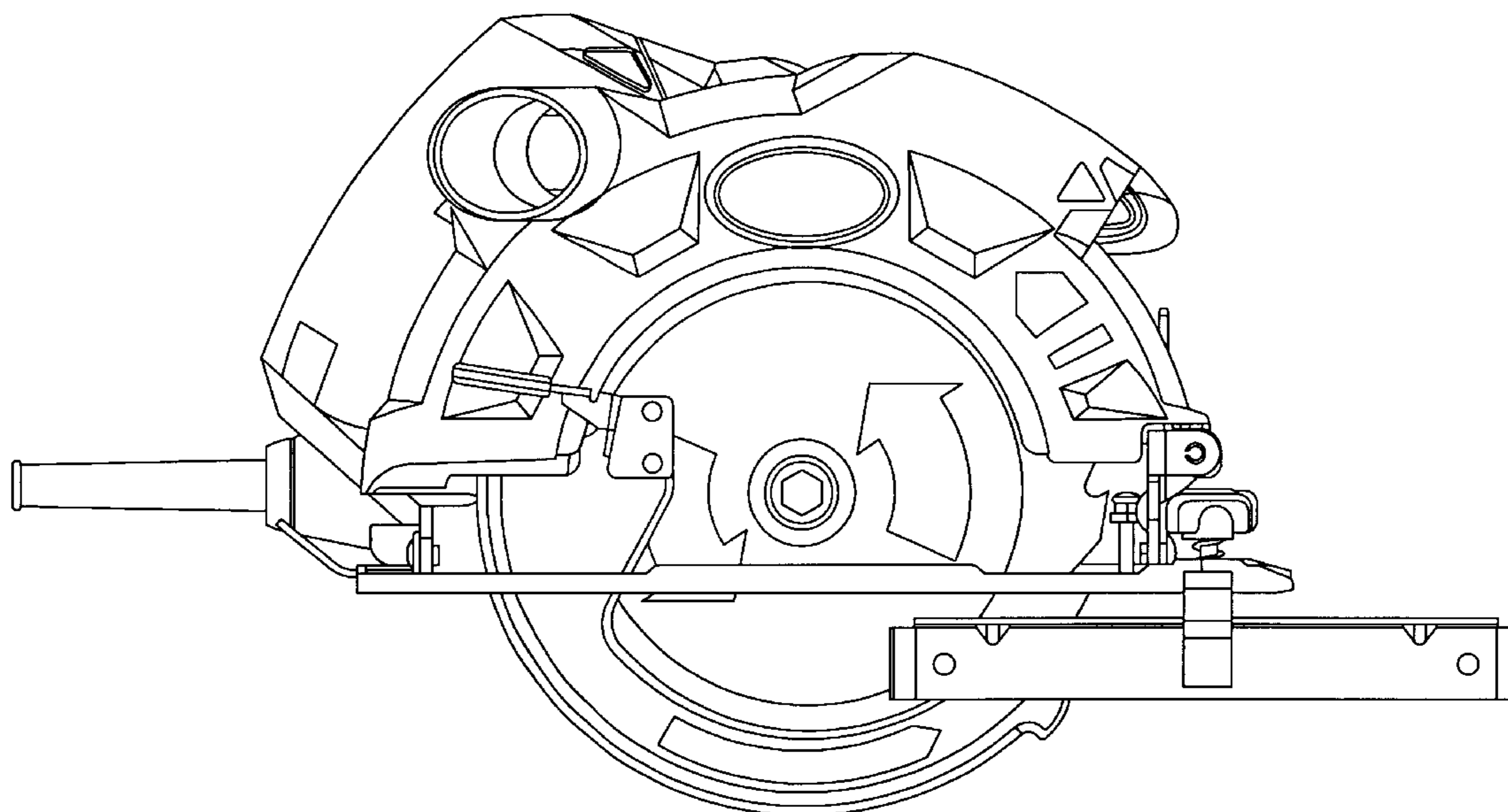
(57) **CLAIM**

I claim the ornamental design for a circular laser saw,
substantially as shown.

DESCRIPTION

FIG. 1 is a rear view of the circular laser saw.
FIG. 2 is a perspective view of the circular laser saw.
FIG. 3 is a first side view of the circular laser saw.
FIG. 4 is an opposite side view of the circular laser saw.
FIG. 5 is a bottom plan view of the circular laser saw.
FIG. 6 is an elevational view of the circular laser saw; and,
FIG. 7 is a front view of the circular laser saw.

1 Claim, 6 Drawing Sheets



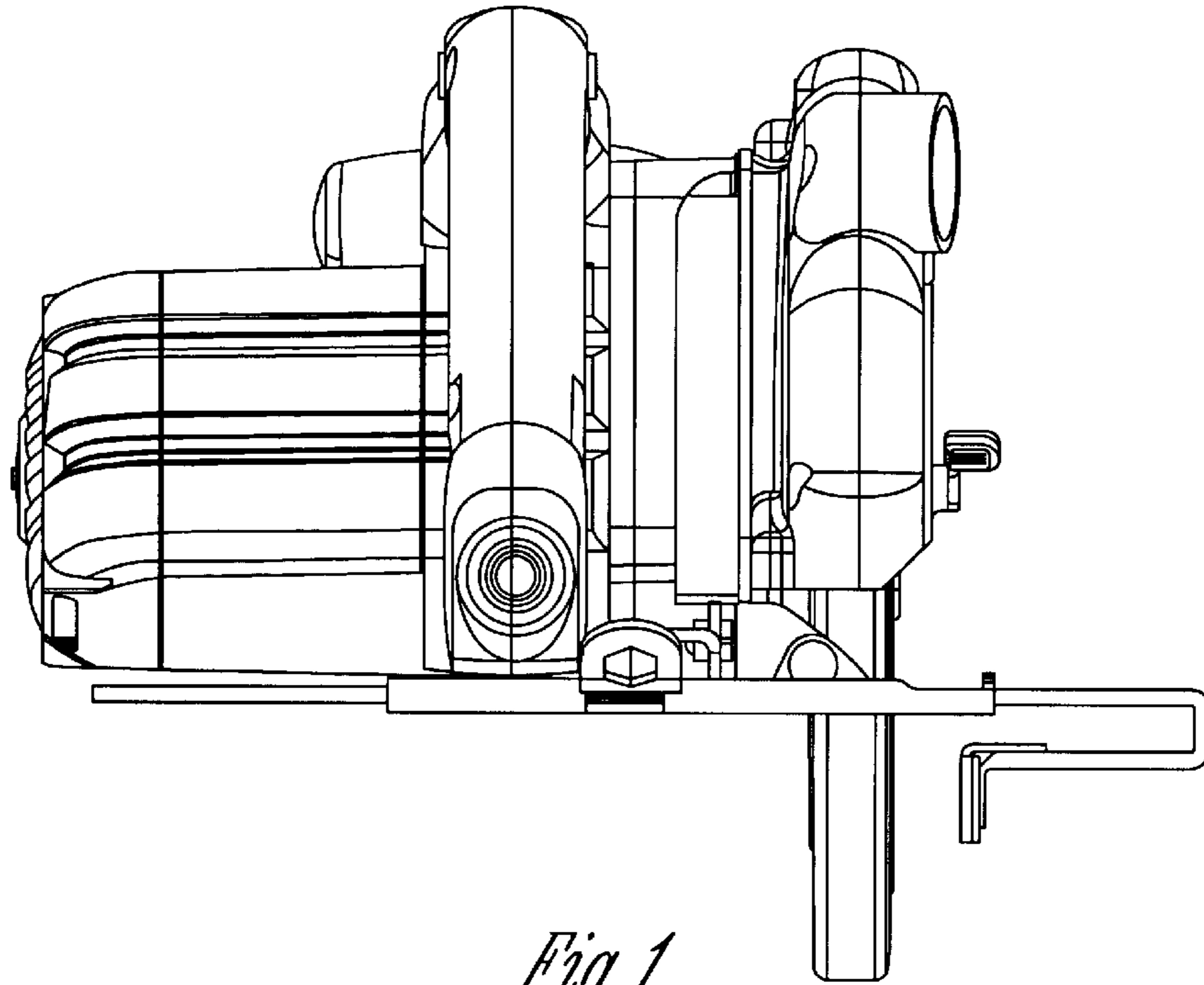


Fig. 1

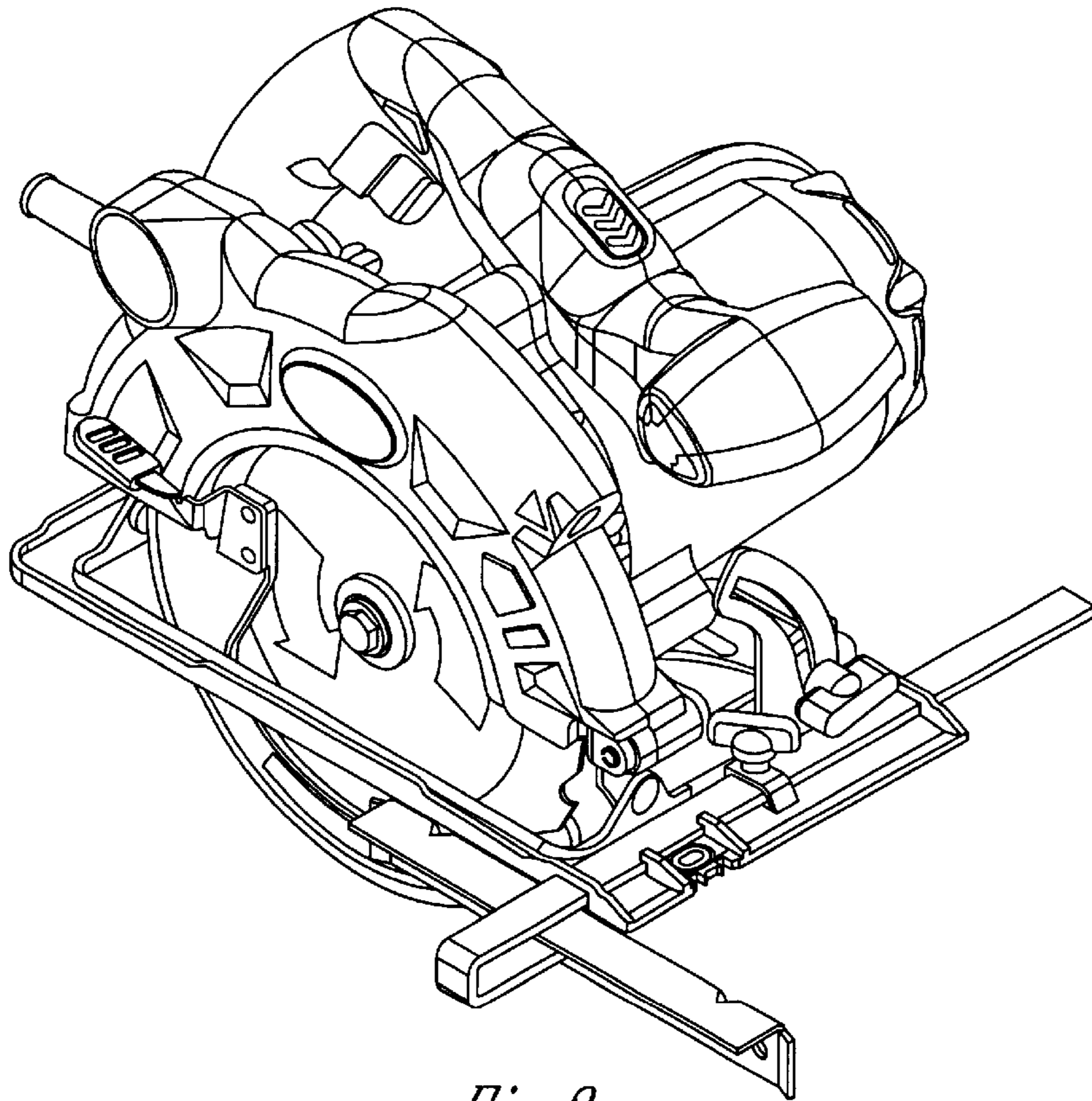


Fig. 2

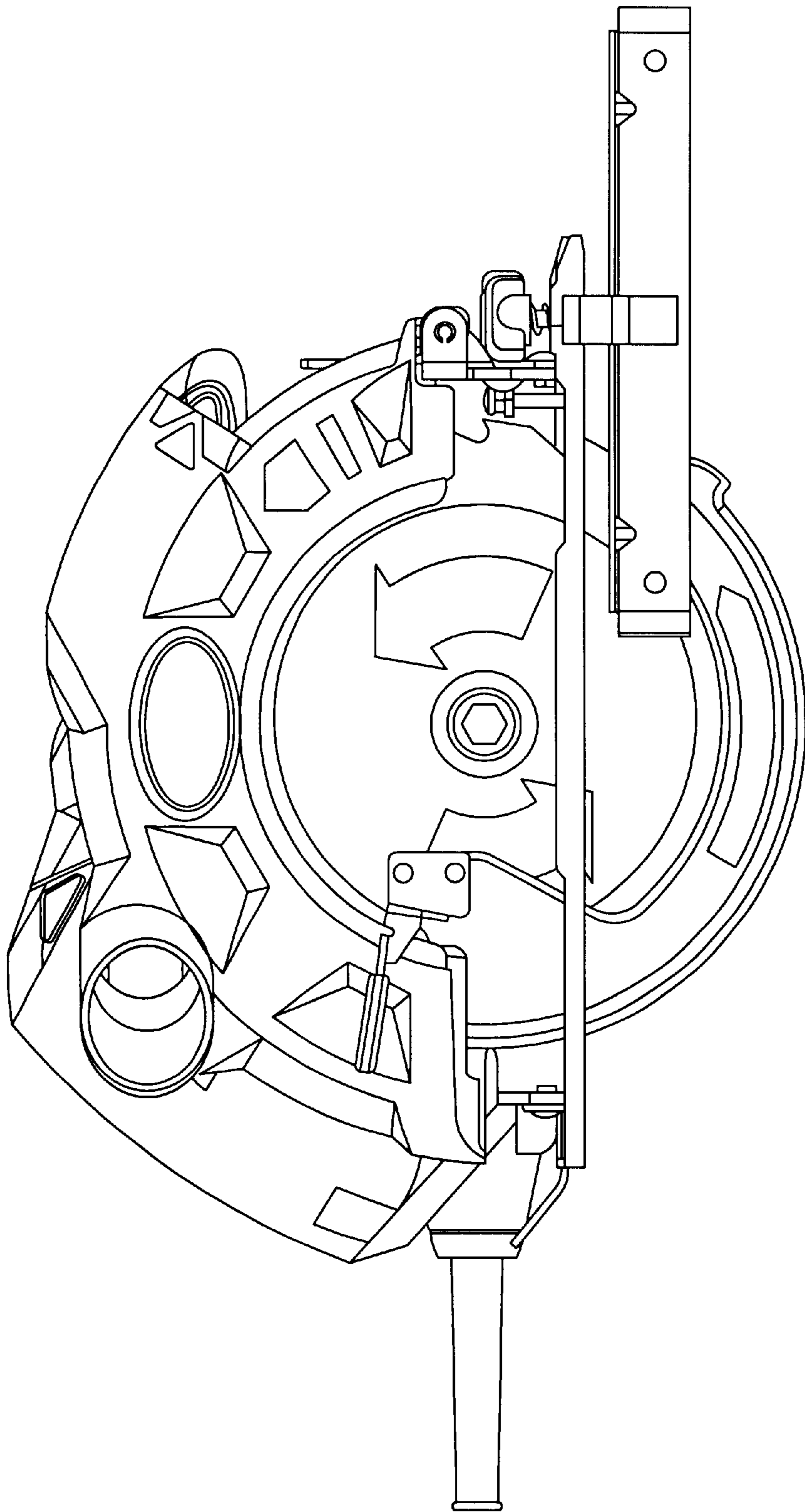


Fig. 3

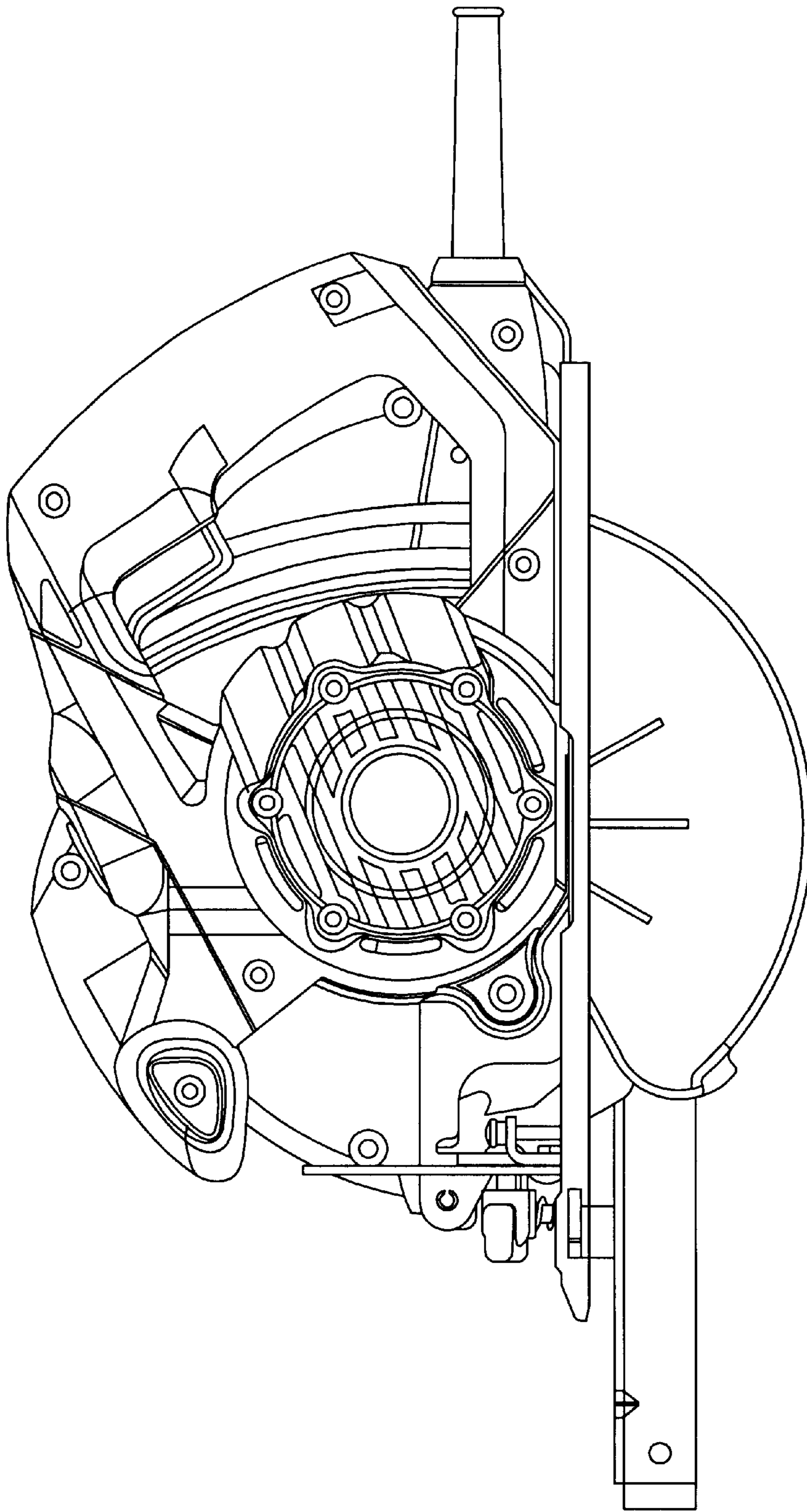


Fig. 4

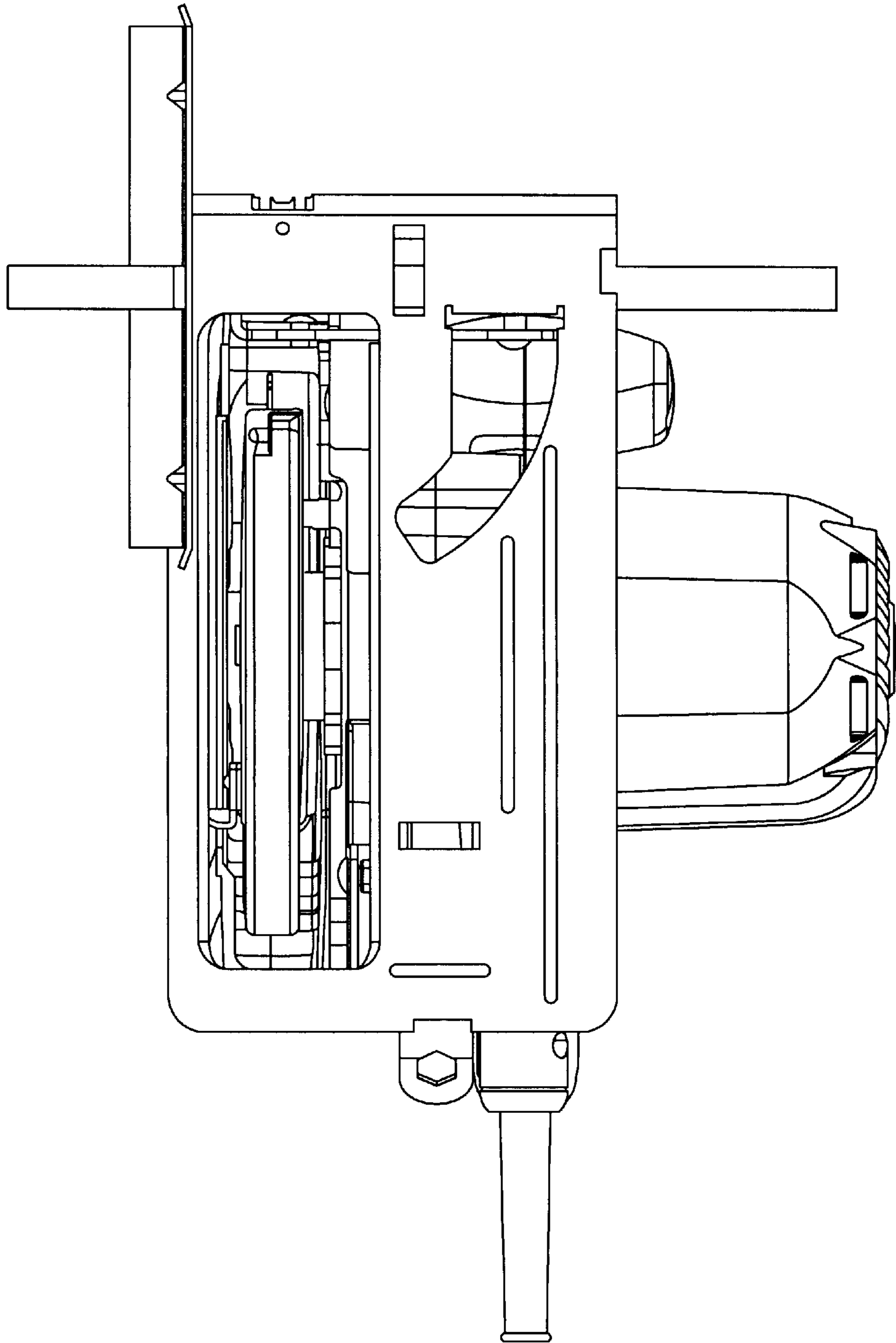


Fig. 5

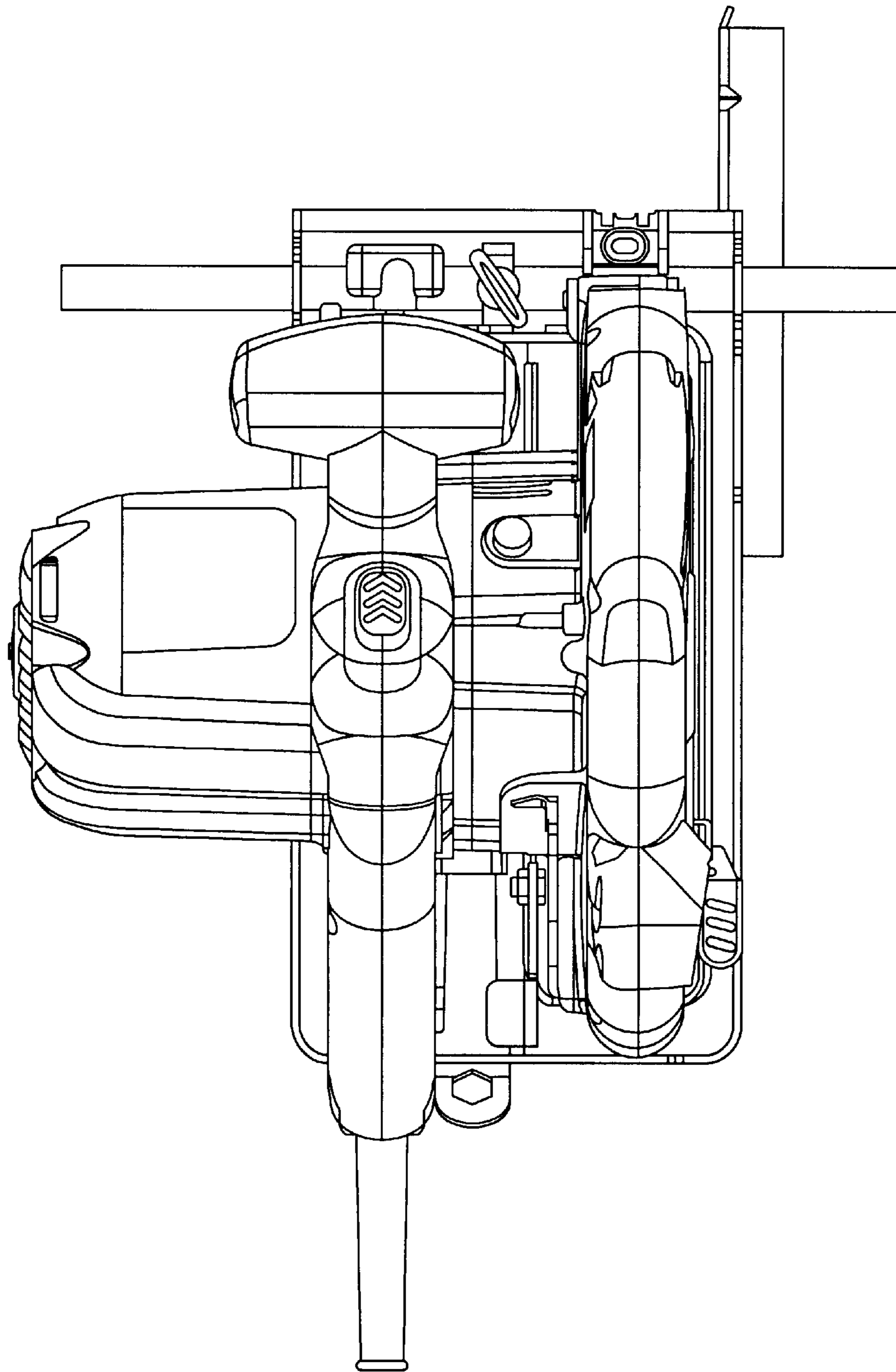


Fig. 6

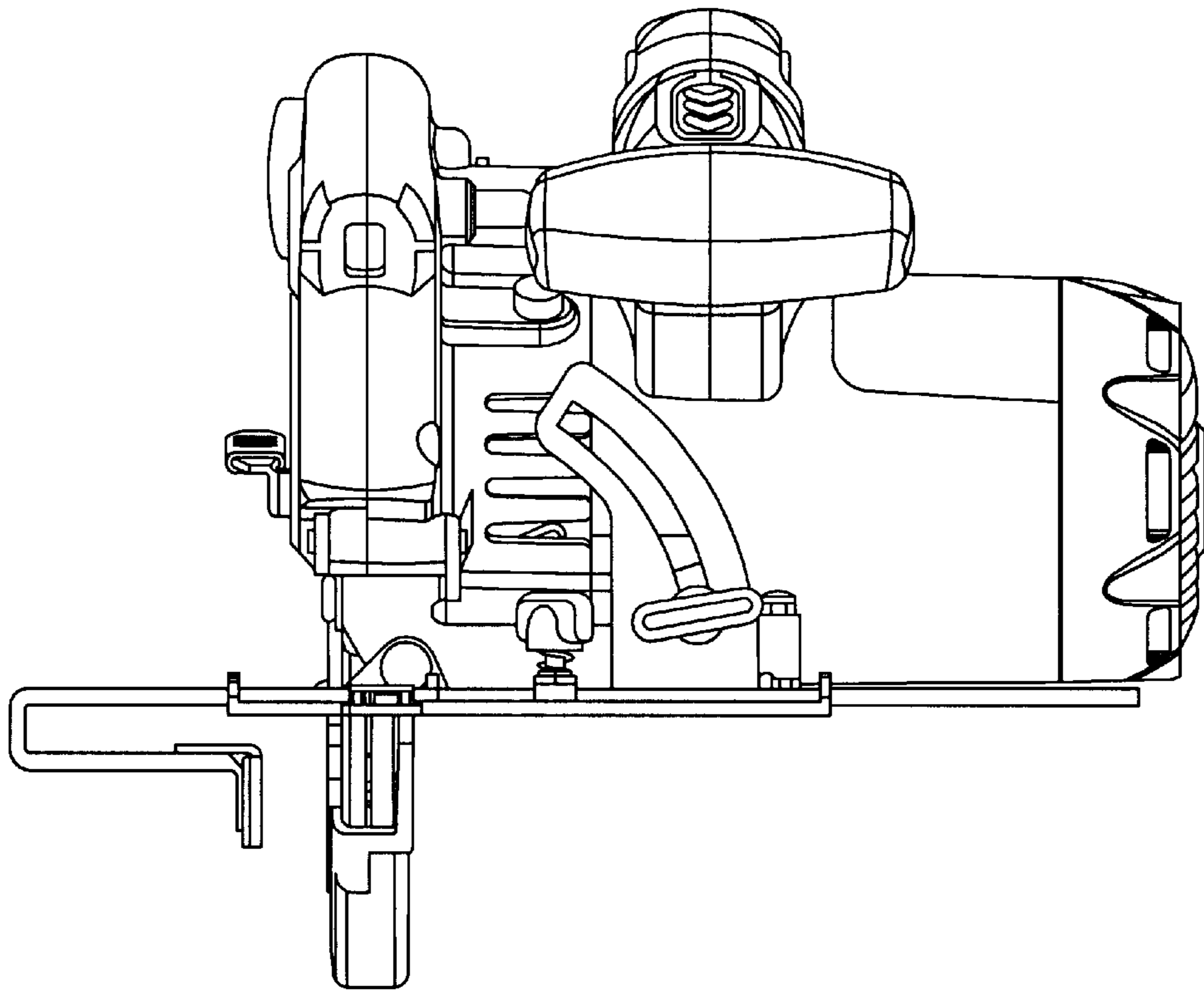


Fig. 7