

US00D525502S

(12) **United States Design Patent**
Chen

(10) **Patent No.:** **US D525,502 S**

(45) **Date of Patent:** **** Jul. 25, 2006**

(54) **PNEUMATIC TOOL**

(75) **Inventor:** **Lung-Pao Chen**, Hsinchu County (TW)

(73) **Assignee:** **Sunmatch Industrial Co., Ltd.**, Zhubei (TW)

(**) **Term:** **14 Years**

(21) **Appl. No.:** **29/237,326**

(22) **Filed:** **Aug. 31, 2005**

(51) **LOC (8) Cl.** **08-04**

(52) **U.S. Cl.** **D8/61**

(58) **Field of Classification Search** D8/61,
D8/62, 68, 70; 81/57.11, 57.13, 57.14, 57.26,
81/57.29, 57.39, 57.42, 63.1, 429, 464, 467,
81/469, 470, 473; 173/168, 169, 170, 176,
173/177, 178, 181, 216, 217; 73/862.21;
310/50

See application file for complete search history.

(56) **References Cited**

U.S. PATENT DOCUMENTS

D269,938 S	*	8/1983	Izumisawa	D8/61
D289,135 S	*	4/1987	Doman	D8/61
4,821,611 A	*	4/1989	Izumisawa	81/464
D334,124 S	*	3/1993	Izumisawa	D8/61
D380,949 S	*	7/1997	Sung	D8/61
D408,243 S	*	4/1999	Izumisawa	D8/61
D449,212 S	*	10/2001	Price et al.	D8/107

6,298,753 B1	*	10/2001	Izumisawa	81/57.39
D456,232 S	*	4/2002	Chen	D8/61
D465,395 S	*	11/2002	Hung	D8/61
D468,175 S	*	1/2003	Morgan	D8/61
D484,016 S	*	12/2003	Baker	D8/61
D497,785 S	*	11/2004	Izumisawa	D8/25
D506,375 S	*	6/2005	Hsu et al.	D8/61
6,923,095 B1	*	8/2005	Horvath	81/57.39
2005/0076745 A1	*	4/2005	Chen	81/57.39
2005/0132846 A1	*	6/2005	Lai	81/57.39

* cited by examiner

Primary Examiner—Cathron C. Brooks

Assistant Examiner—Austin Murphy

(74) *Attorney, Agent, or Firm*—Birch, Stewart, Kolasch & Birch, LLP

(57) **CLAIM**

The ornamental design for “pneumatic tool,” as shown and described.

DESCRIPTION

FIG. 1 is a perspective view of “pneumatic tool” showing my new design thereof;

FIG. 2 is a right side elevational view thereof;

FIG. 3 is a top plan view thereof;

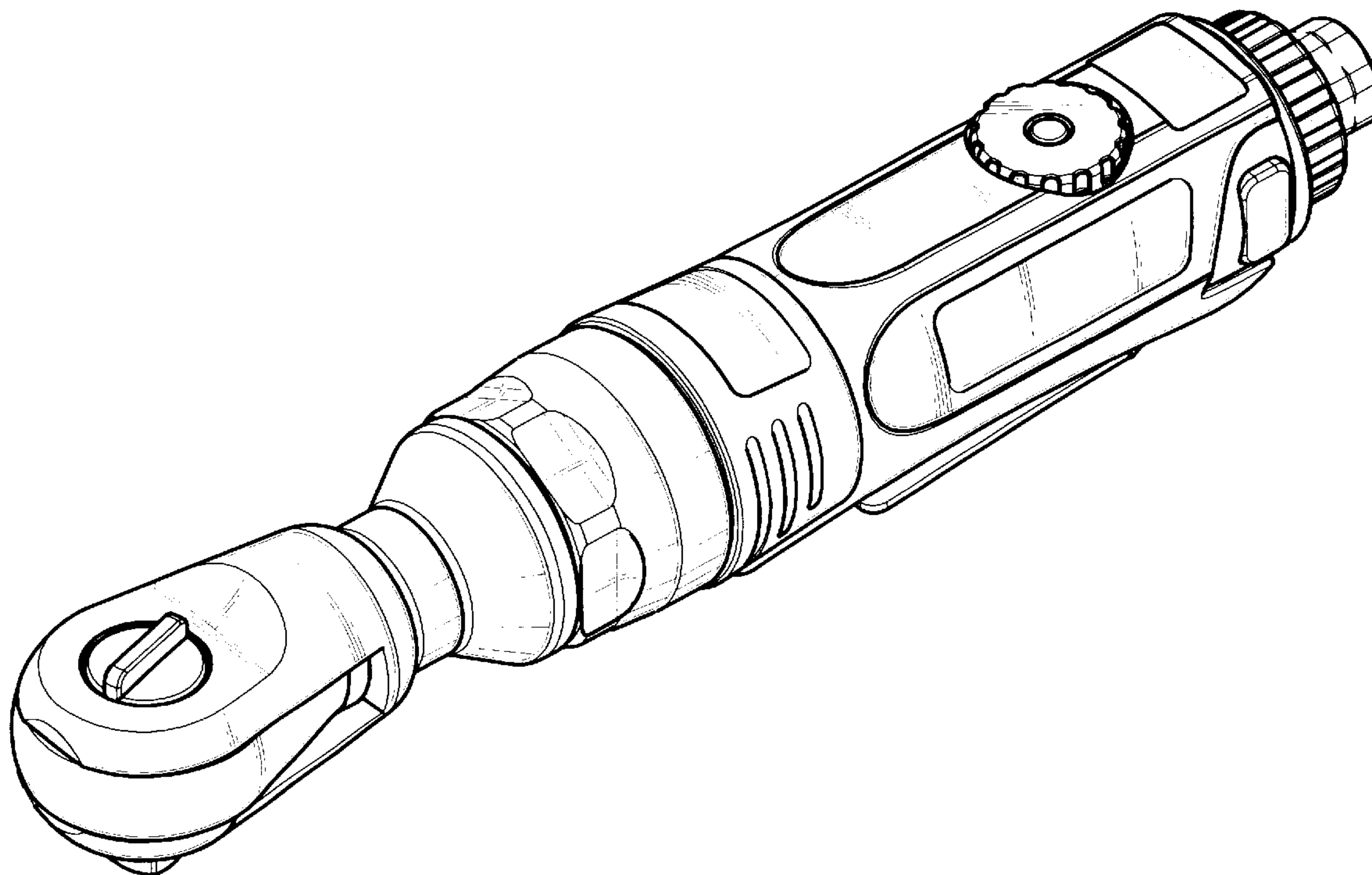
FIG. 4 is a front side elevational view thereof;

FIG. 5 is a bottom plan view thereof.;

FIG. 6 is a left side elevational view thereof; and,

FIG. 7 is a rear side elevational view thereof.

1 Claim, 4 Drawing Sheets



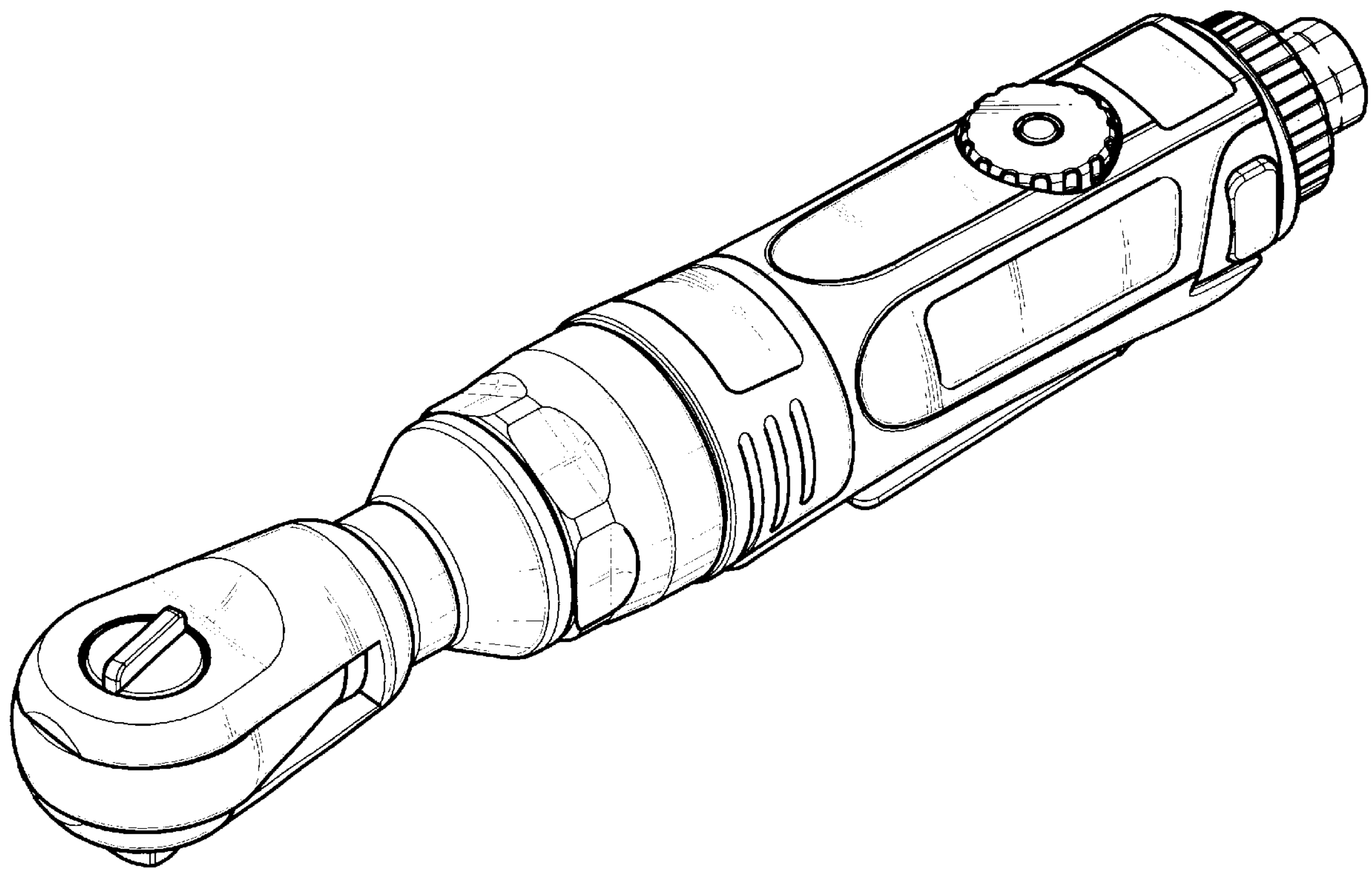


Fig. 1

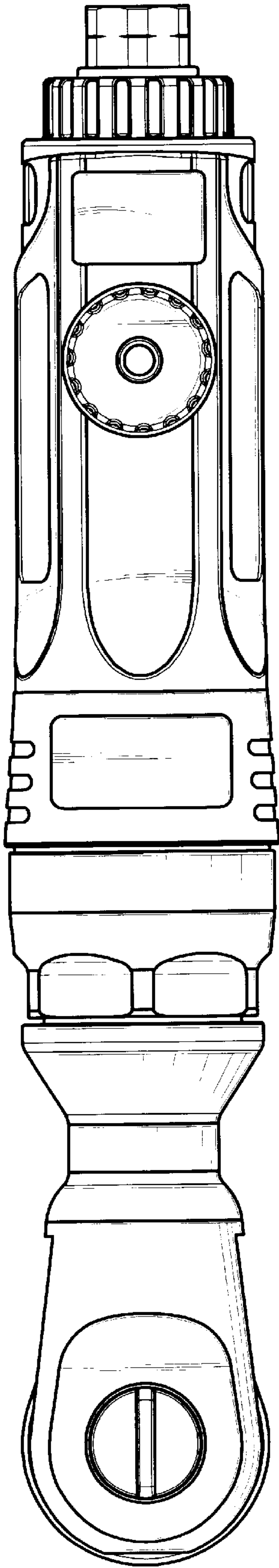


Fig. 3

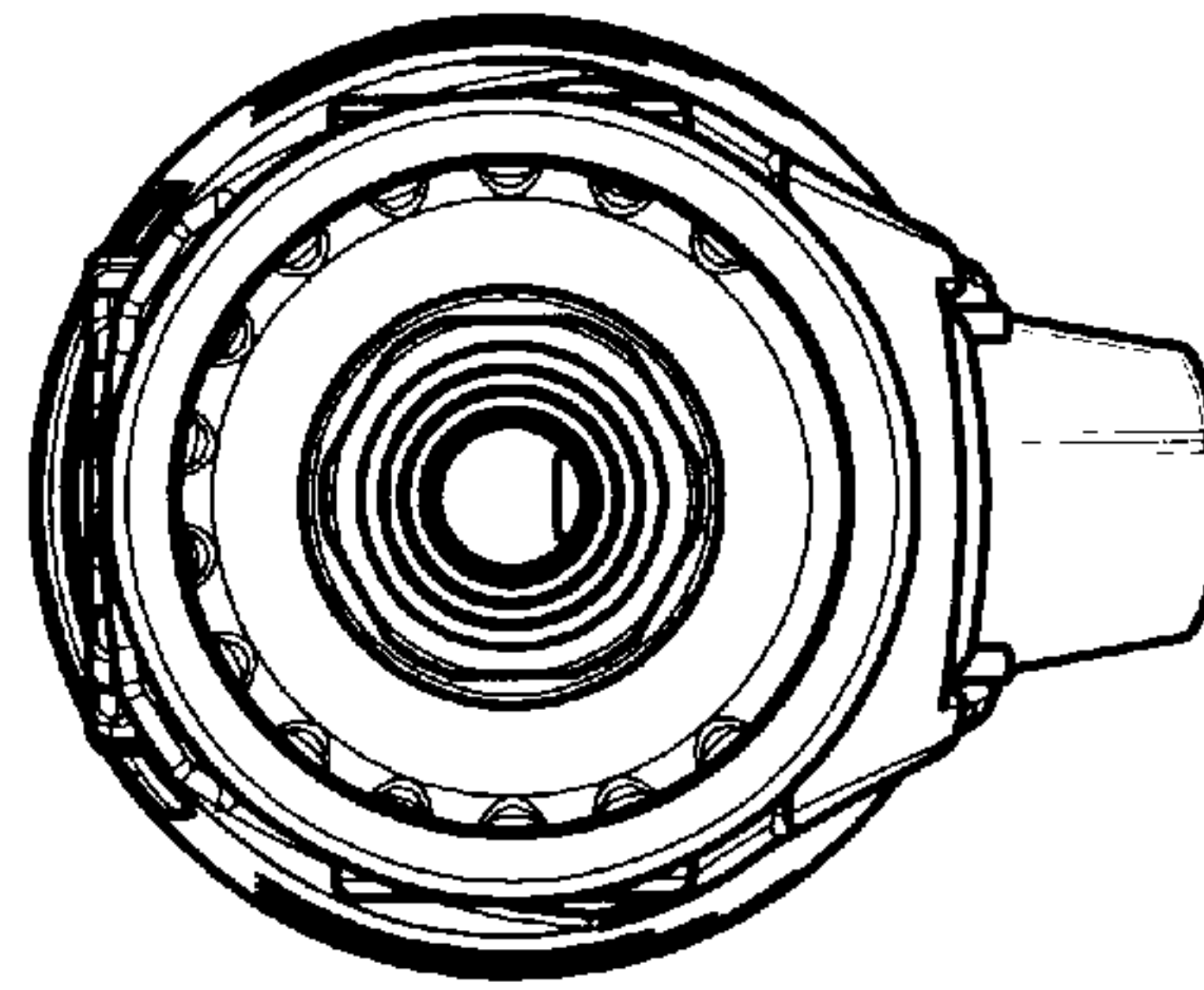


Fig. 2

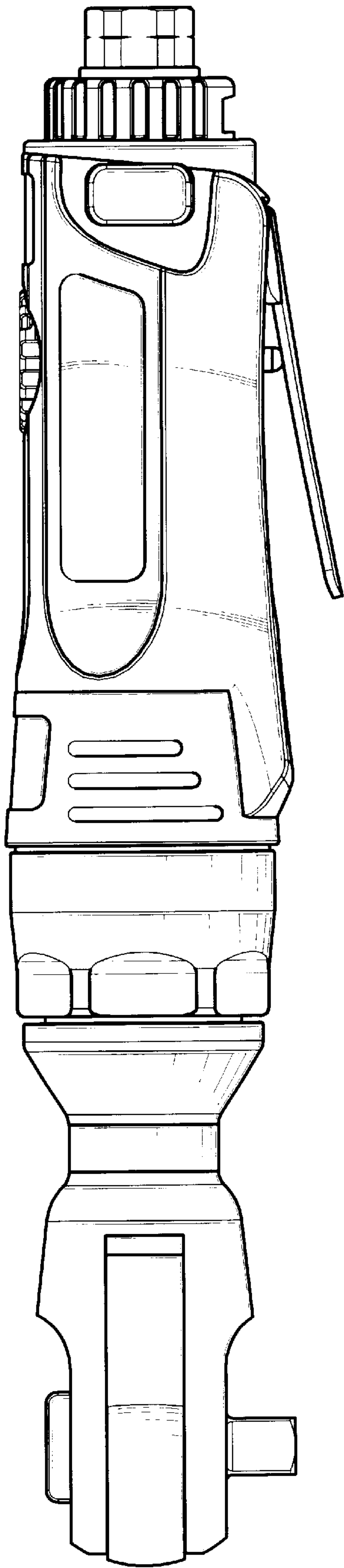


Fig. 4

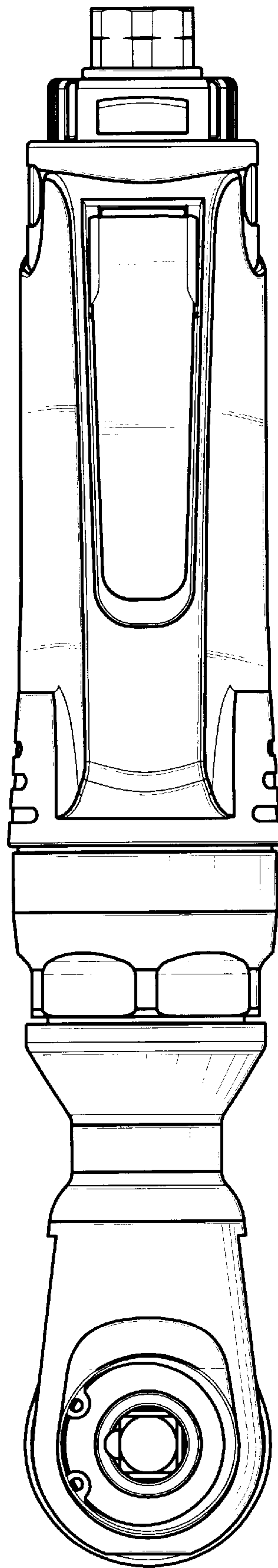


Fig. 5

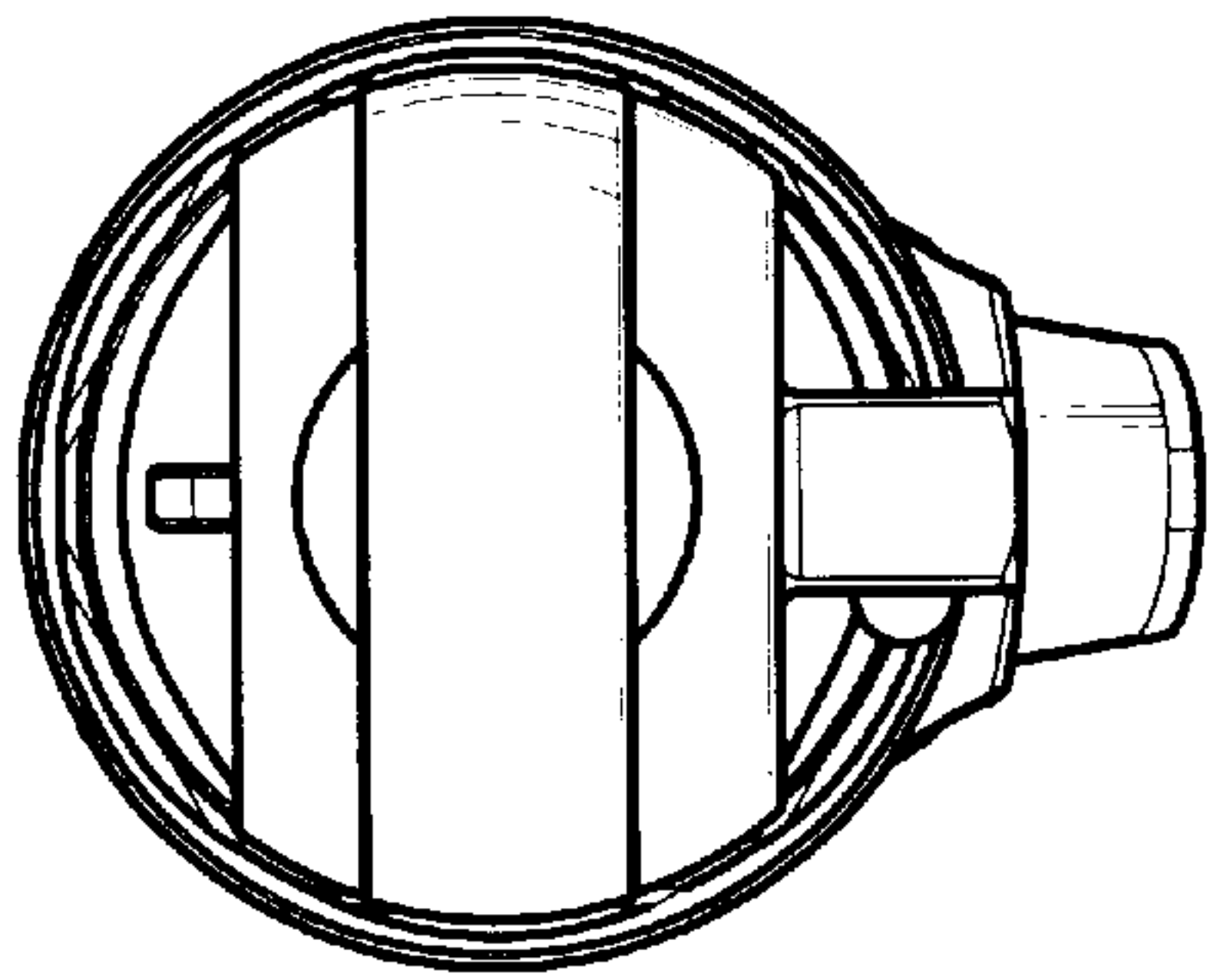


Fig. 6

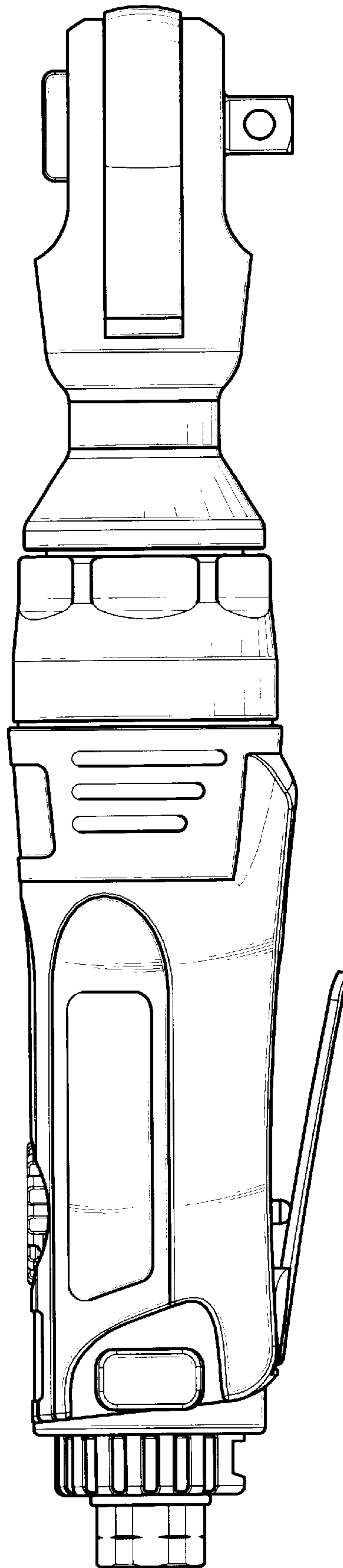


Fig. 7