

US00D525499S

(12) **United States Design Patent**  
**Chen**

(10) **Patent No.:** **US D525,499 S**

(45) **Date of Patent:** **\*\* Jul. 25, 2006**

(54) **PNEUMATIC TOOL**

(75) **Inventor:** **Lung-Pao Chen**, Hsinchu (TW)

(73) **Assignee:** **Sunmatch Industrial Co., Ltd.**, Zhubei (TW)

(\*\*) **Term:** **14 Years**

(21) **Appl. No.:** **29/230,379**

(22) **Filed:** **May 20, 2005**

(51) **LOC (8) Cl.** ..... **08-04**

(52) **U.S. Cl.** ..... **D8/61**

(58) **Field of Classification Search** ..... D8/61,  
D8/62, 68, 70; 81/57.11, 57.13, 57.14, 57.26,  
81/57.29, 57.39, 57.42, 63.1, 429, 464, 467,  
81/469, 470, 473; 173/168, 169, 170, 176,  
173/177, 178, 181, 216, 217; 73/862.21;  
310/50

See application file for complete search history.

(56) **References Cited**

**U.S. PATENT DOCUMENTS**

D320,541 S \* 10/1991 Staubitz et al. .... D8/61  
D327,617 S \* 7/1992 Fisher ..... D8/61  
D327,620 S \* 7/1992 Fisher ..... D8/68

D333,246 S \* 2/1993 Fushiya et al. .... D8/68  
D387,648 S \* 12/1997 Liao ..... D8/61  
D408,241 S \* 4/1999 Jansson ..... D8/61  
D468,176 S \* 1/2003 Morgan ..... D8/61  
D492,562 S \* 7/2004 Chen ..... D8/61  
D498,398 S \* 11/2004 Chen ..... D8/61

\* cited by examiner

*Primary Examiner*—Cathron C. Brooks

*Assistant Examiner*—Austin Murphy

(74) *Attorney, Agent, or Firm*—Birch, Stewart, Kolasch & Birch, LLP

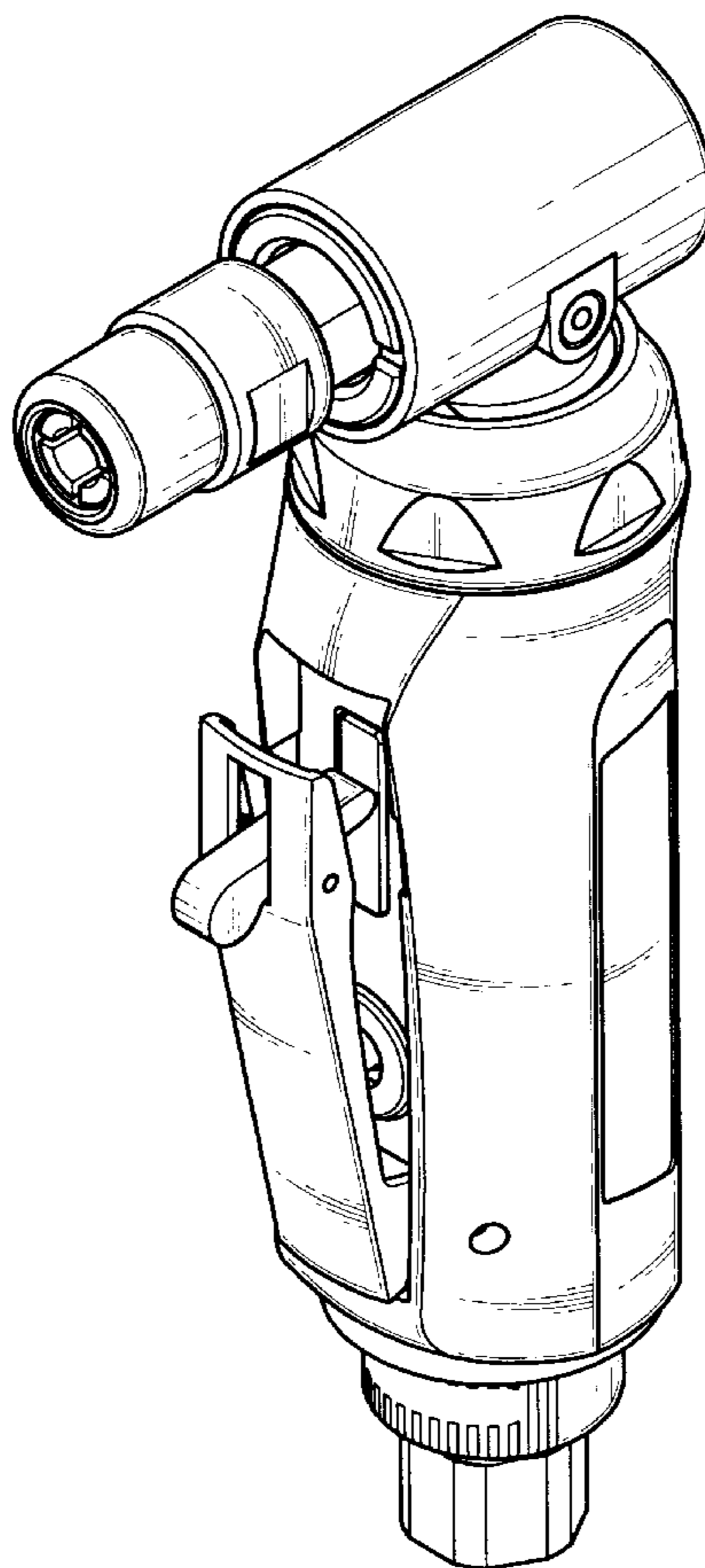
(57) **CLAIM**

The ornamental design for “pneumatic tool,” as shown and described.

**DESCRIPTION**

FIG. 1 is a perspective view of “pneumatic tool” showing my new design thereof;  
FIG. 2 is a right side elevational view thereof;  
FIG. 3 is a top plan view thereof;  
FIG. 4 is a front side elevational view thereof;  
FIG. 5 is a bottom plan view thereof.;  
FIG. 6 is a left side elevational view thereof; and,  
FIG. 7 is a rear side elevational view thereof.

**1 Claim, 4 Drawing Sheets**



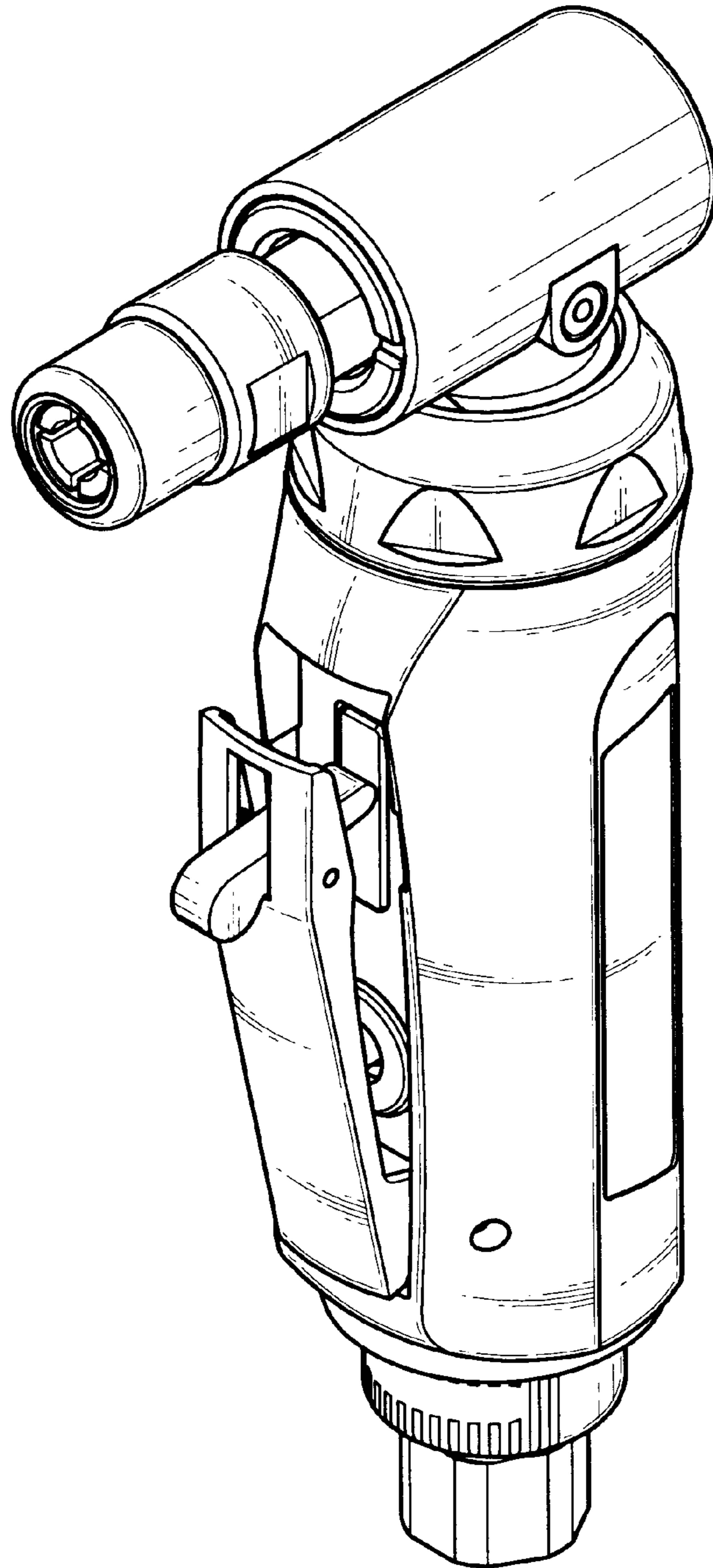


Fig. 1

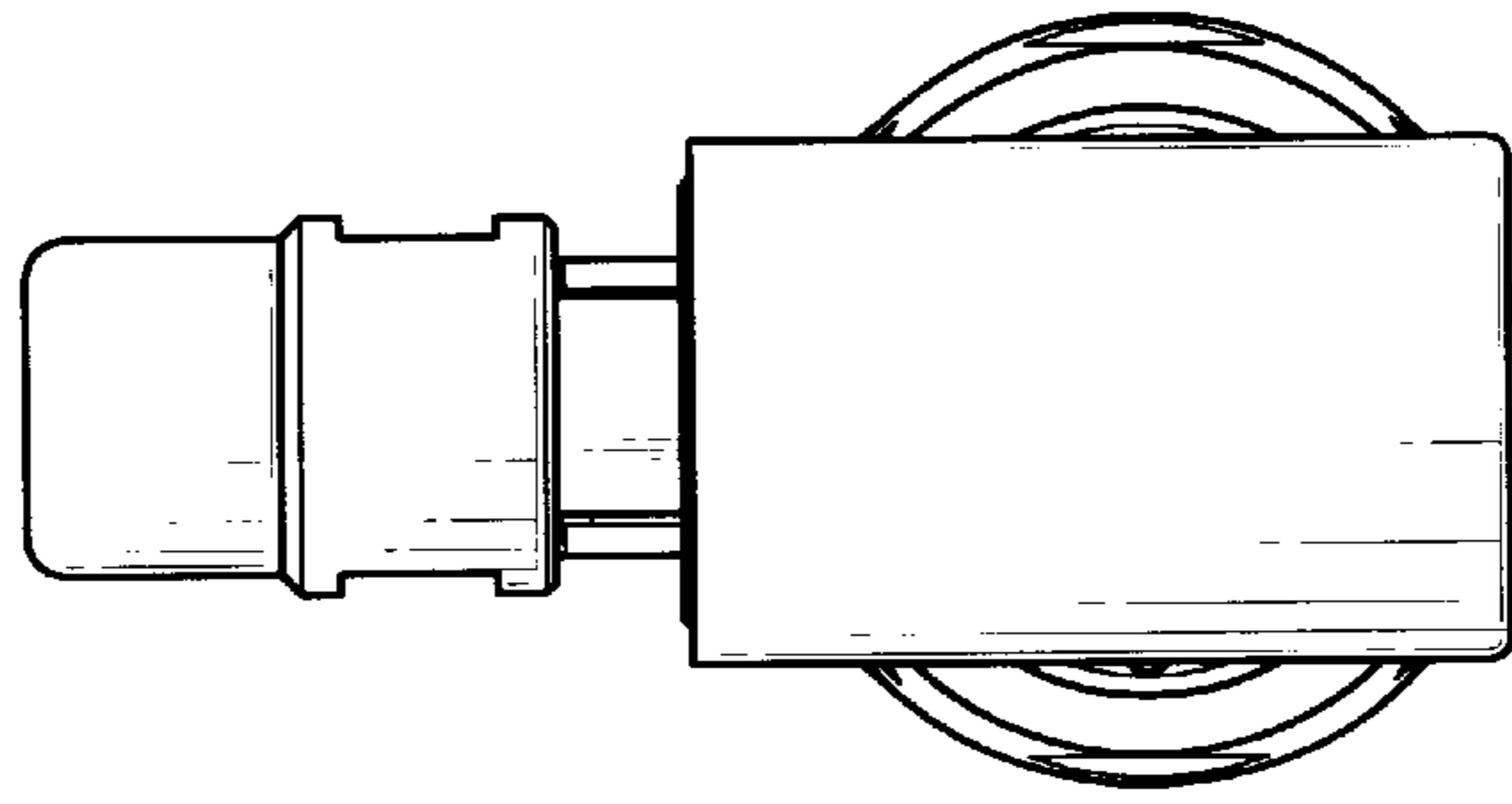


Fig.3

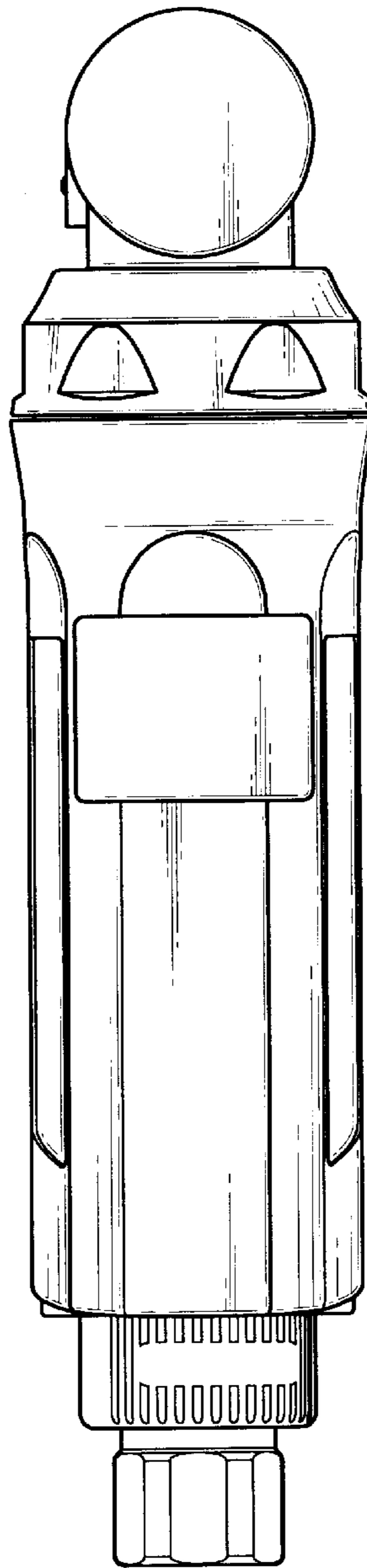


Fig.2

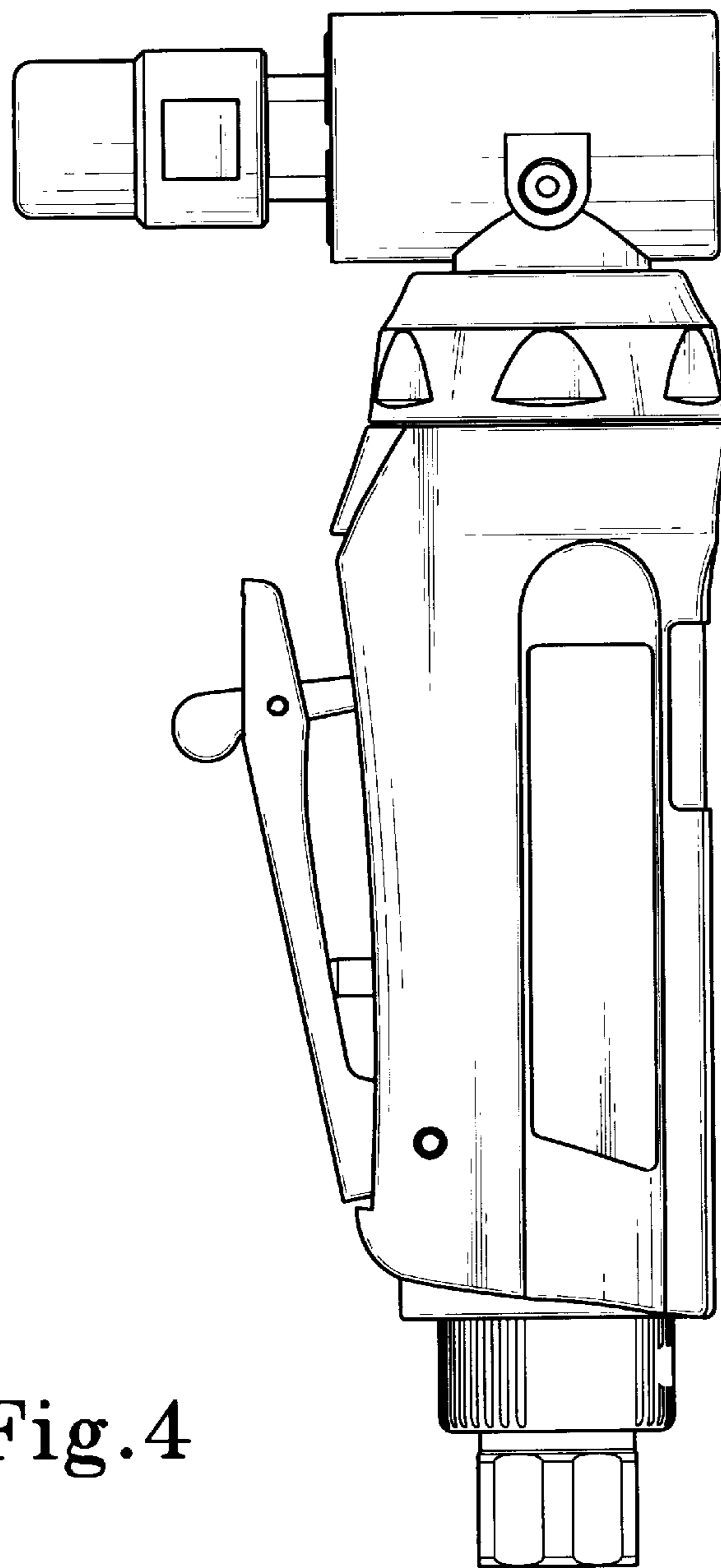


Fig.4

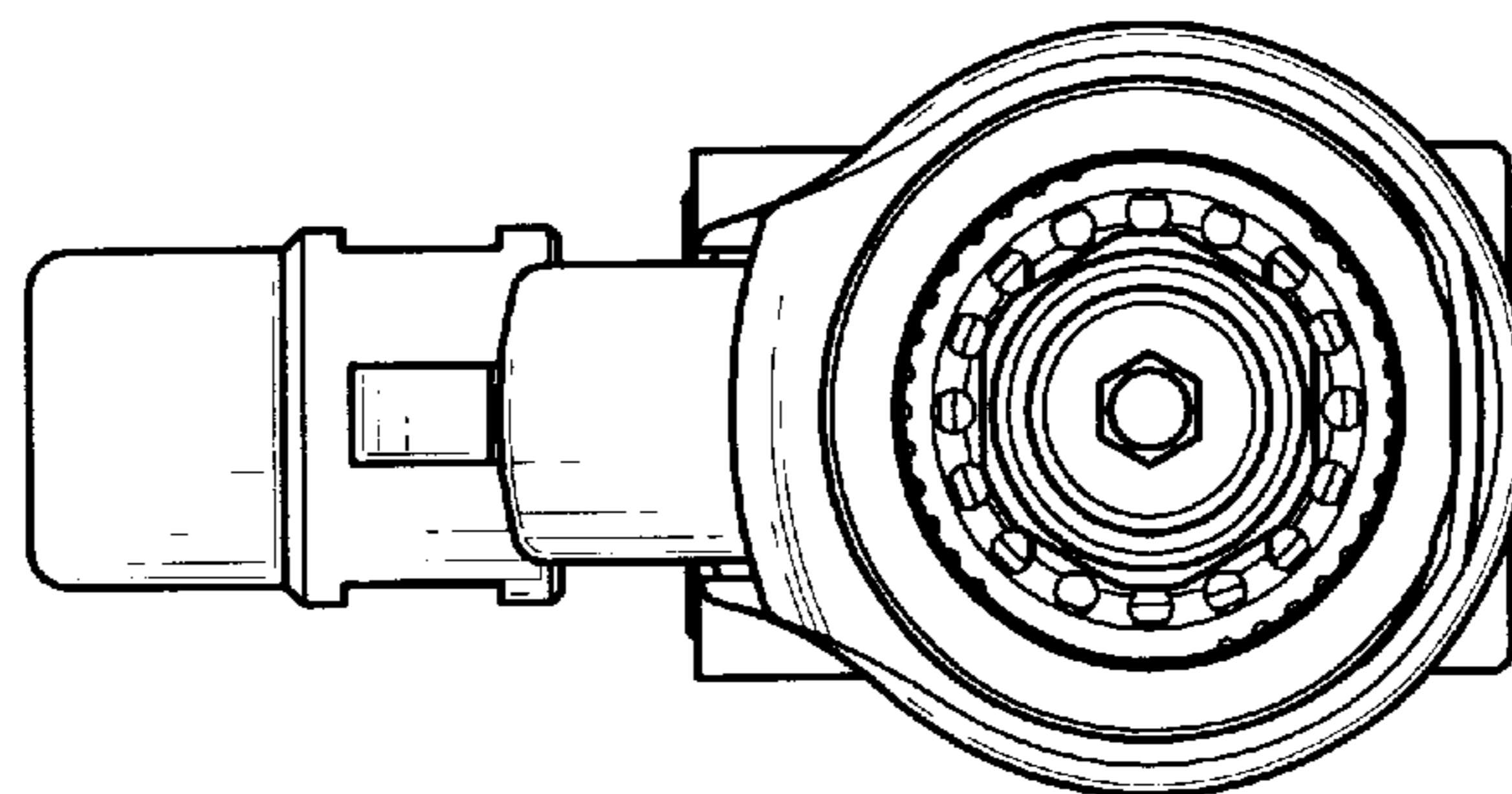


Fig.5

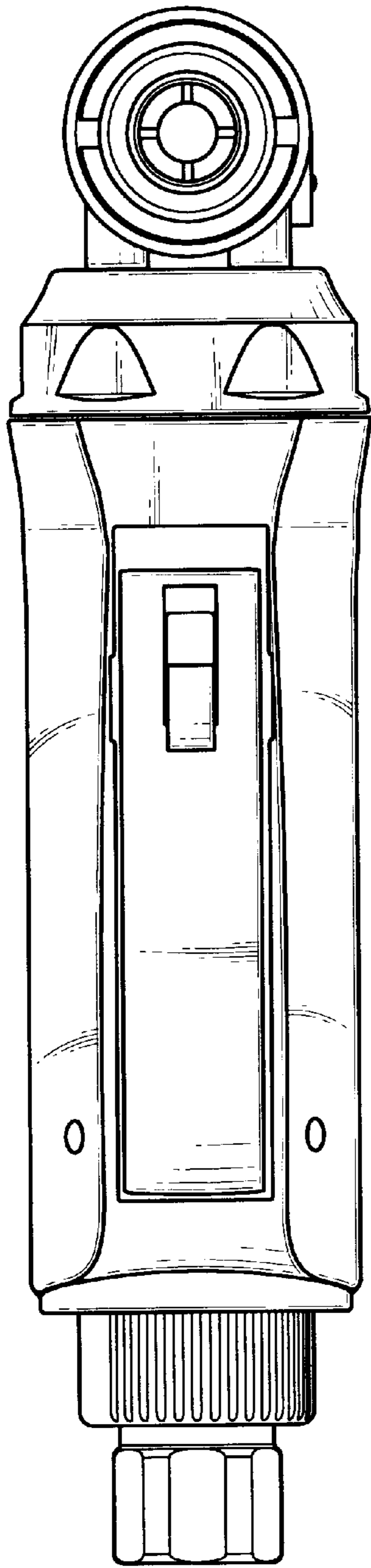


Fig. 6

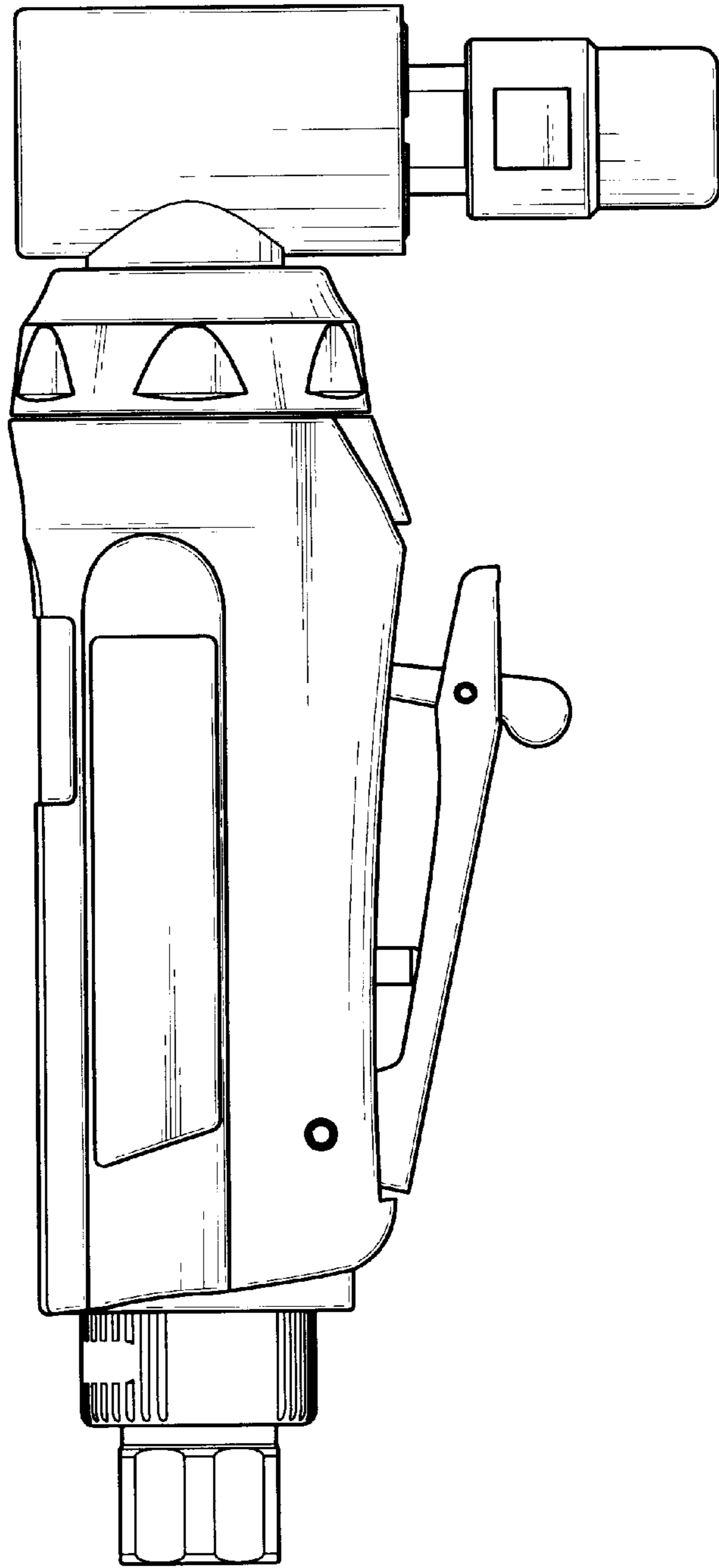


Fig. 7