



US00D525493S

(12) **United States Design Patent**
Hsieh

(10) **Patent No.:** **US D525,493 S**
(45) **Date of Patent:** **** Jul. 25, 2006**

(54) **SPANNER TOOL**

(76) Inventor: **Chih-Ching Hsieh**, 235 Chung-Ho Box
8-24, Taipei (TW)

(**) Term: **14 Years**

(21) Appl. No.: **29/222,984**

(22) Filed: **Feb. 8, 2005**

(51) **LOC (8) Cl.** **08-05**

(52) **U.S. Cl.** **D8/27; D8/21**

(58) **Field of Classification Search** D8/17,
D8/21-29; 81/119, 120, 121.1, 125.1, 176.1,
81/177.8, 177.9, 177.1, 177.85, 186, 177.7,
81/185.1, 177.6

See application file for complete search history.

(56) **References Cited**

U.S. PATENT DOCUMENTS

1,626,906	A	*	5/1927	Zilliox	81/119
2,978,938	A	*	4/1961	Nalley	81/177.8
D287,927	S	*	1/1987	Zankich	D8/17
D302,513	S	*	8/1989	Cohen	D8/22
5,331,869	A	*	7/1994	Webb	81/177.1
5,524,511	A	*	6/1996	Taka's	81/176.15
6,295,898	B1	*	10/2001	Hsieh	81/177.8
D478,795	S	*	8/2003	Hsieh	D8/25
6,745,650	B1	*	6/2004	Chang	81/177.8
D506,373	S	*	6/2005	Hsien	D8/28
D507,163	S	*	7/2005	Hsien	D8/22

OTHER PUBLICATIONS

Chaparral Motorsports winter 2003 p. 67.*

* cited by examiner

Primary Examiner—Raphael Barkai

Assistant Examiner—Randall H. Gholson

(57) **CLAIM**

The ornamental design for a spanner tool, as shown and described.

DESCRIPTION

FIG. 1 is a perspective view of a spanner tool showing my new design;

FIG. 2 is a front elevational view thereof;

FIG. 3 is a rear elevational view thereof;

FIG. 4 is a left side view thereof;

FIG. 5 is a right side view thereof;

FIG. 6 is a top plan view thereof; and

FIG. 7 is a bottom plan view thereof.

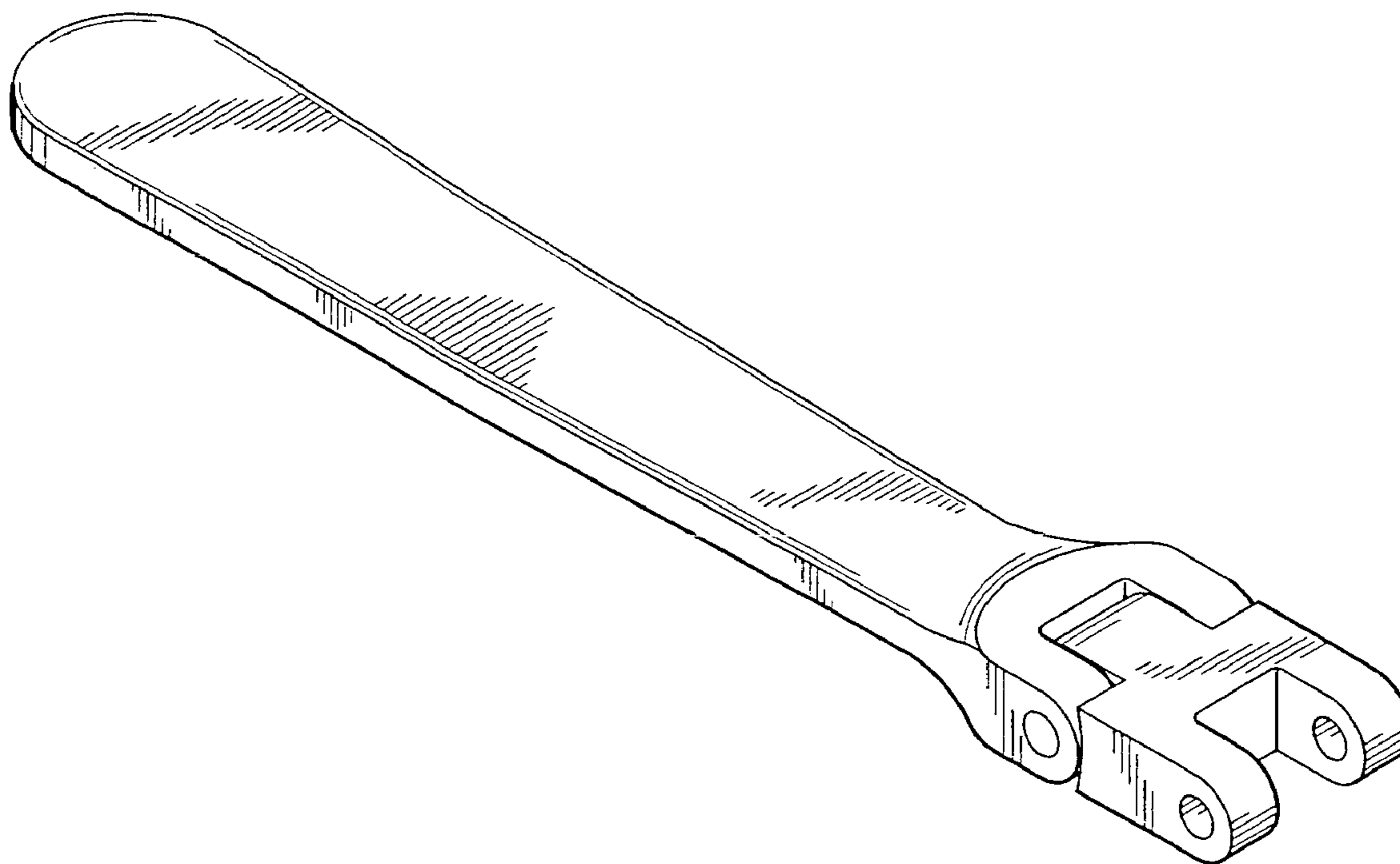
FIG. 8 is a perspective view showing one application of the present invention.

FIG. 9 is a perspective view showing a second application of the present invention; and,

FIG. 10 is a perspective view showing a third application of the present invention.

The broken line showing of a open and closed end wrench, and adjustable wrench is for illustrative purposes only and forms no part of the claimed design.

1 Claim, 7 Drawing Sheets



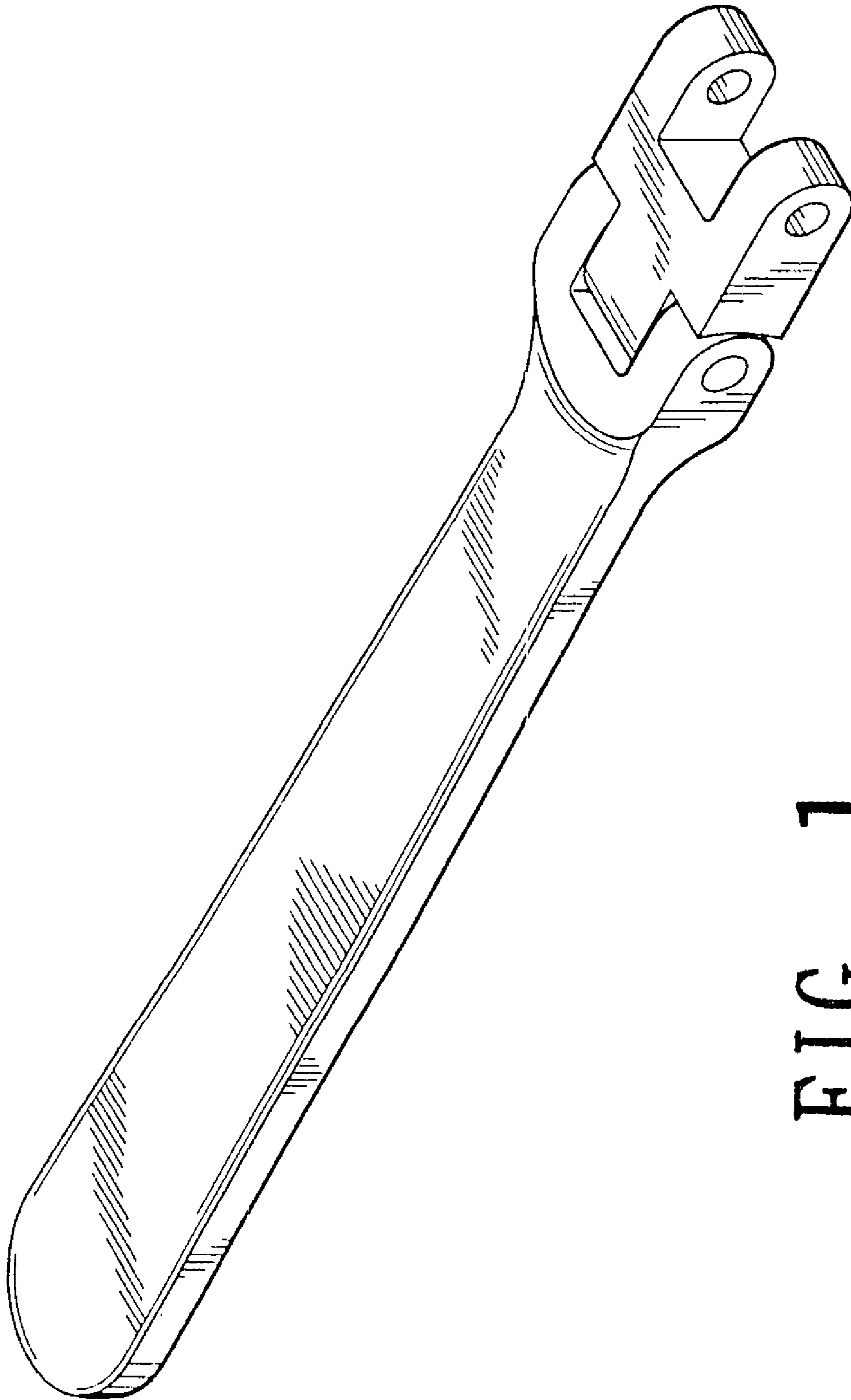


FIG. 1

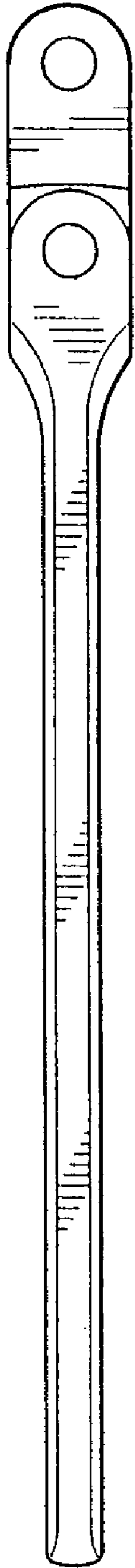


FIG. 2

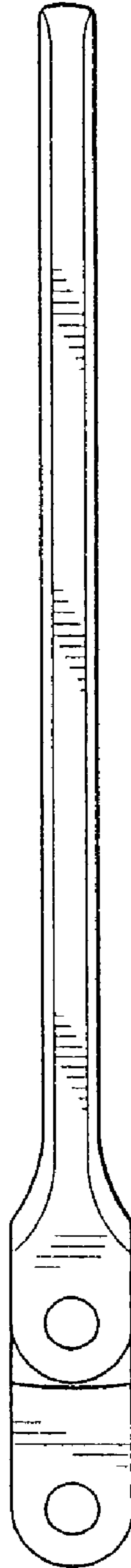


FIG. 3

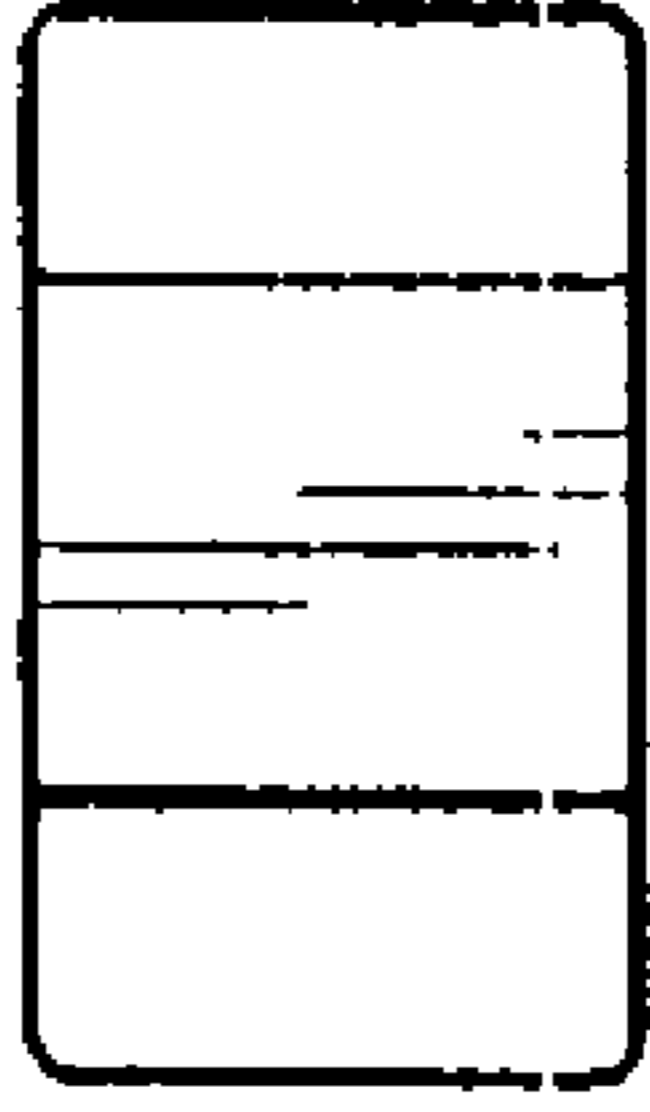


FIG. 4

FIG. 5

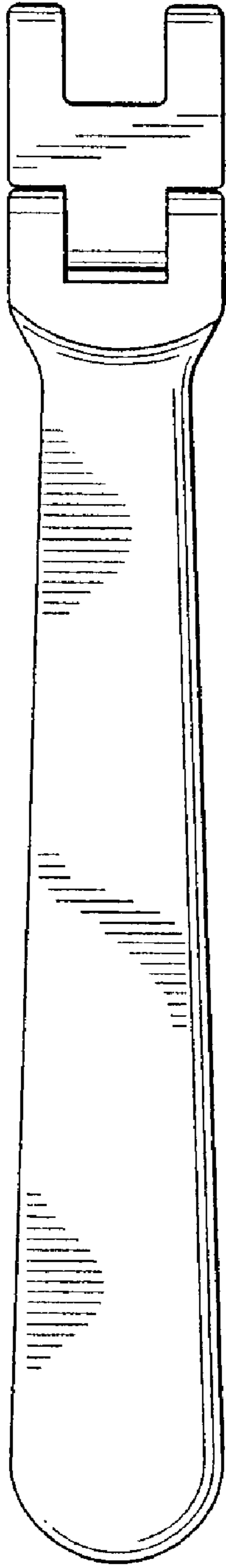


FIG. 6

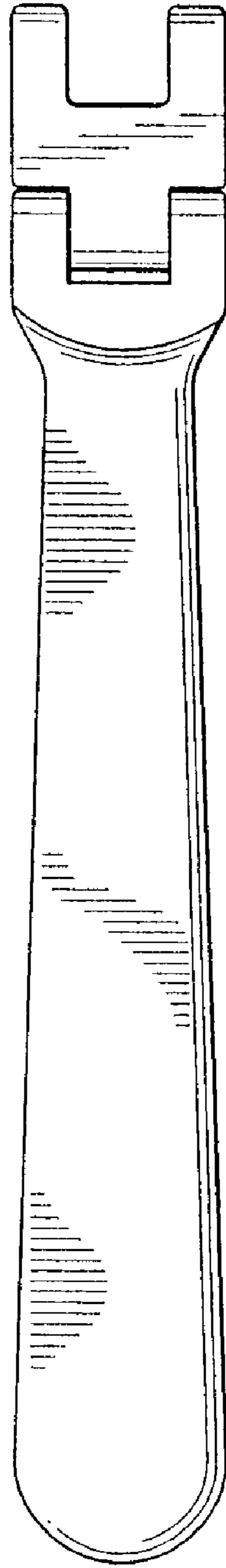


FIG. 7

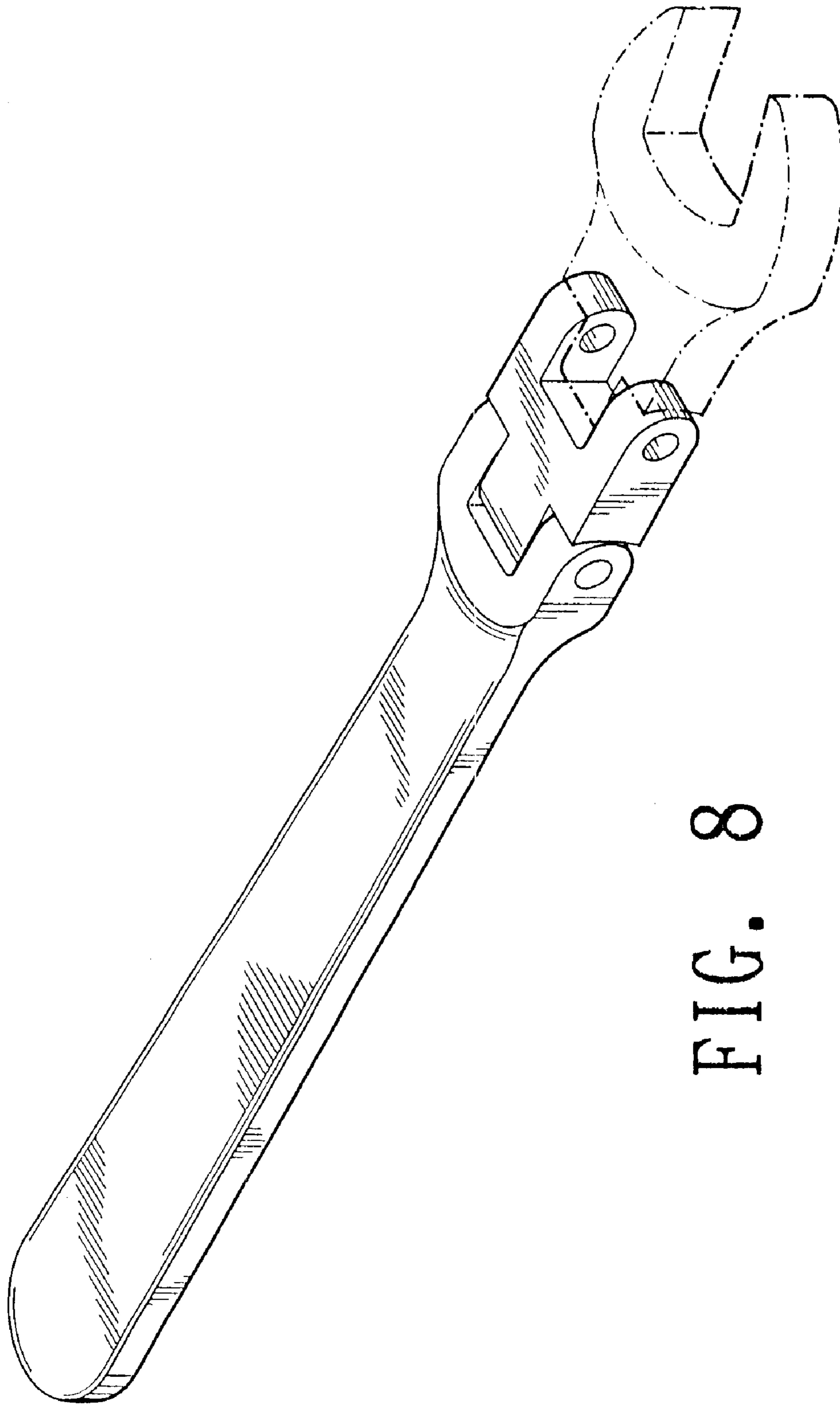


FIG. 8

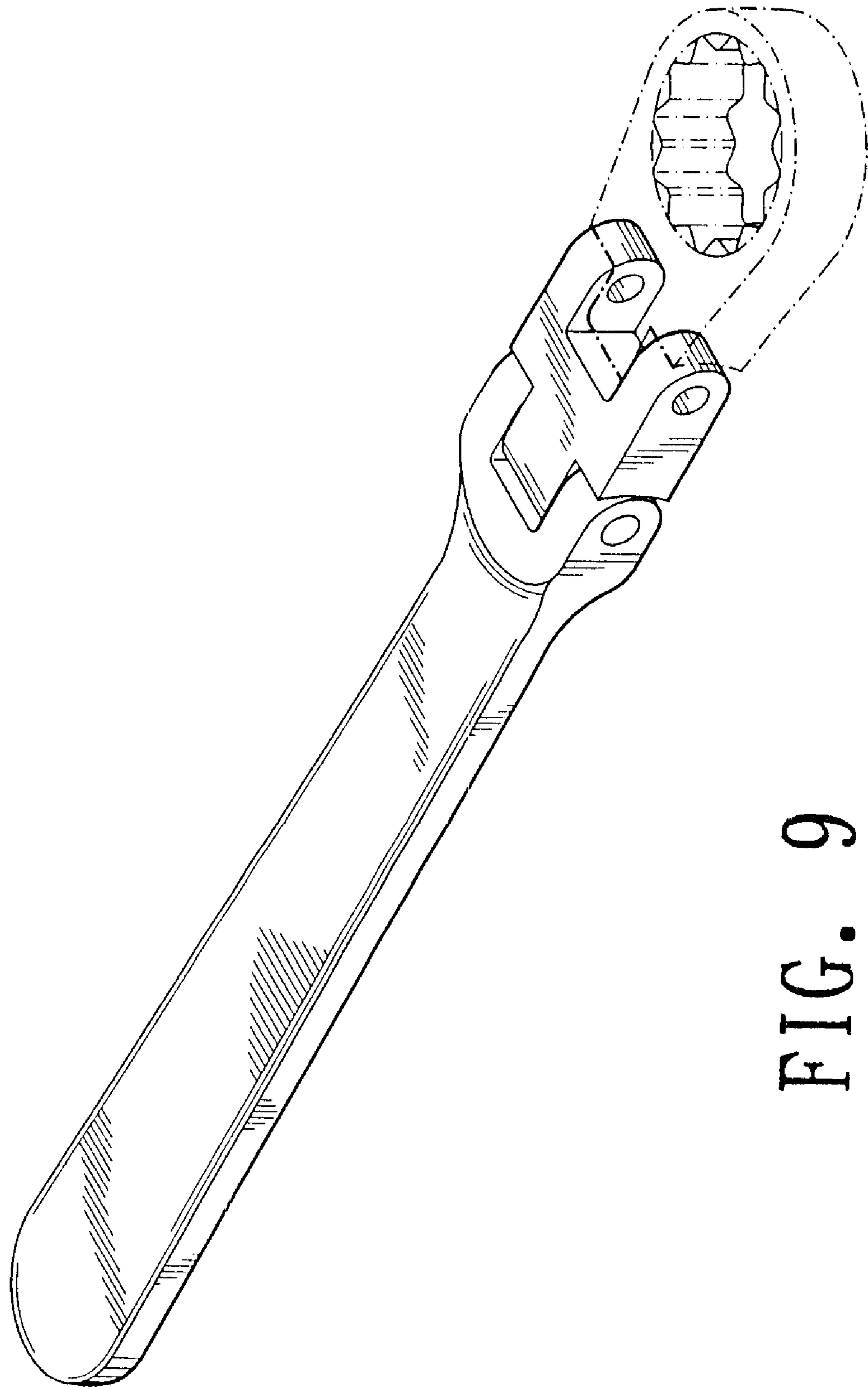


FIG. 9

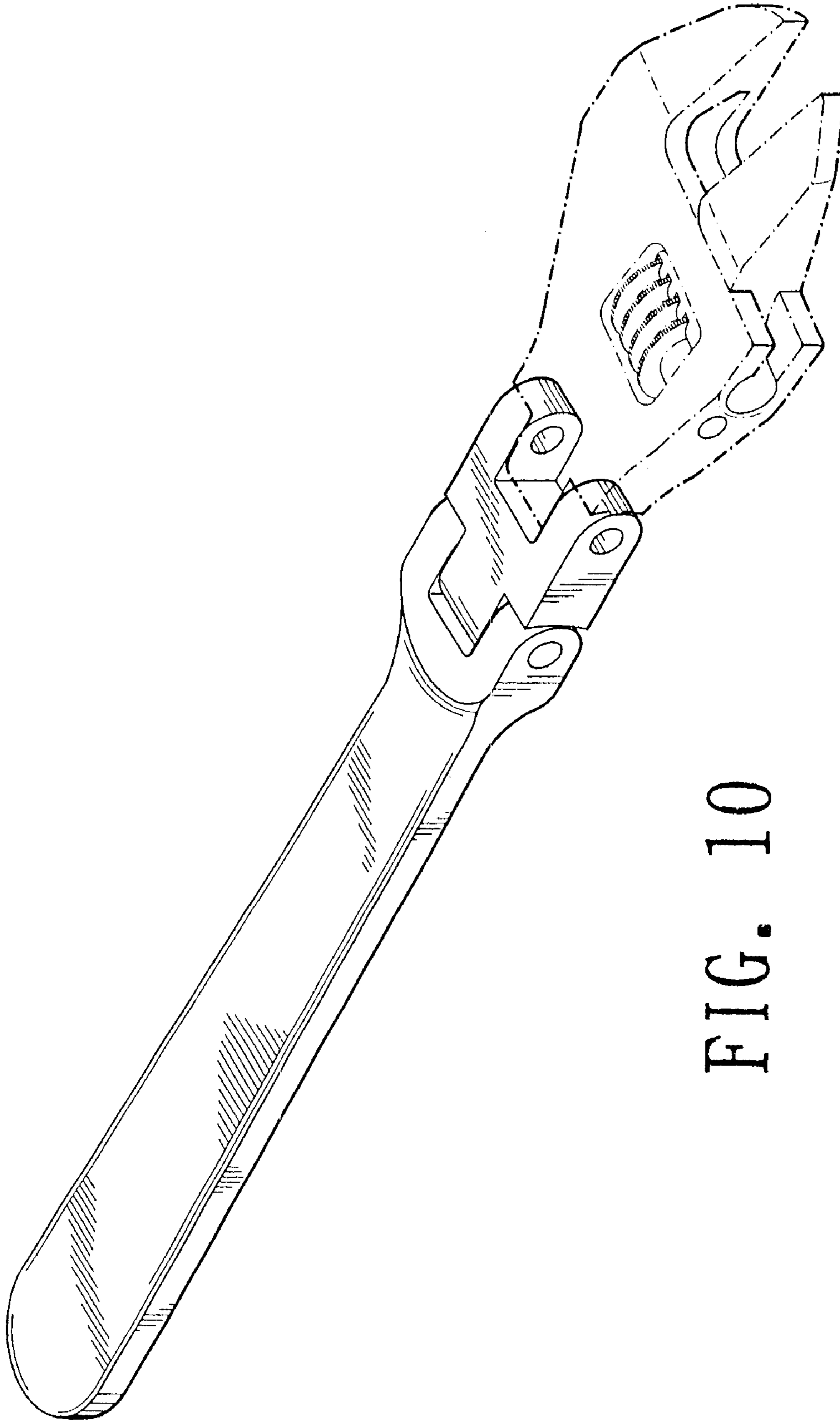


FIG. 10