

US00D525488S

(12) **United States Design Patent**
McWhorter

(10) **Patent No.:** **US D525,488 S**

(45) **Date of Patent:** **** Jul. 25, 2006**

(54) **CONDIMENT KIT**

(76) **Inventor:** **Holly McWhorter**, 84 N. Ninth St.,
#306, Brooklyn, NY (US) 11211

(**) **Term:** **14 Years**

(21) **Appl. No.:** **29/218,160**

(22) **Filed:** **Nov. 29, 2004**

(51) **LOC (8) Cl.** **07-06**

(52) **U.S. Cl.** **D7/590; D3/294**

(58) **Field of Classification Search** D7/590-600.4,
D7/629; D3/273, 274, 294, 295, 201, 205,
D3/206; 206/216, 223, 541, 545, 574-582,
206/224, 1.7, 349, 527, 557; 190/100, 109,
190/900, 901

See application file for complete search history.

(56) **References Cited**

U.S. PATENT DOCUMENTS

- D302,904 S * 8/1989 Dunkfeld, Jr. D7/709
- D309,981 S * 8/1990 French et al. D3/295
- D319,947 S * 9/1991 Ryan D7/709

- 5,390,797 A * 2/1995 Smalley et al. 206/545
- 5,595,302 A * 1/1997 Maydwell et al. 206/541
- D472,774 S * 4/2003 Pelstring et al. D7/629

* cited by examiner

Primary Examiner—Terry A. Wallace

(74) *Attorney, Agent, or Firm*—Gottlieb, Rackman &
Reisman, P.C.

(57) **CLAIM**

The ornamental design for a condiment kit, as shown and described.

DESCRIPTION

FIG. 1 is a top perspective view of the condiment kit showing my new design;

FIG. 2 is a right side view thereof, the left side being a mirror image; and,

FIG. 3 is a top perspective view of the condiment kit with a lid of its external container being open to show a receptacle for condiment, other receptacles shown in broken lines for illustrative purposes only and forming no part of the claimed design.

1 Claim, 2 Drawing Sheets

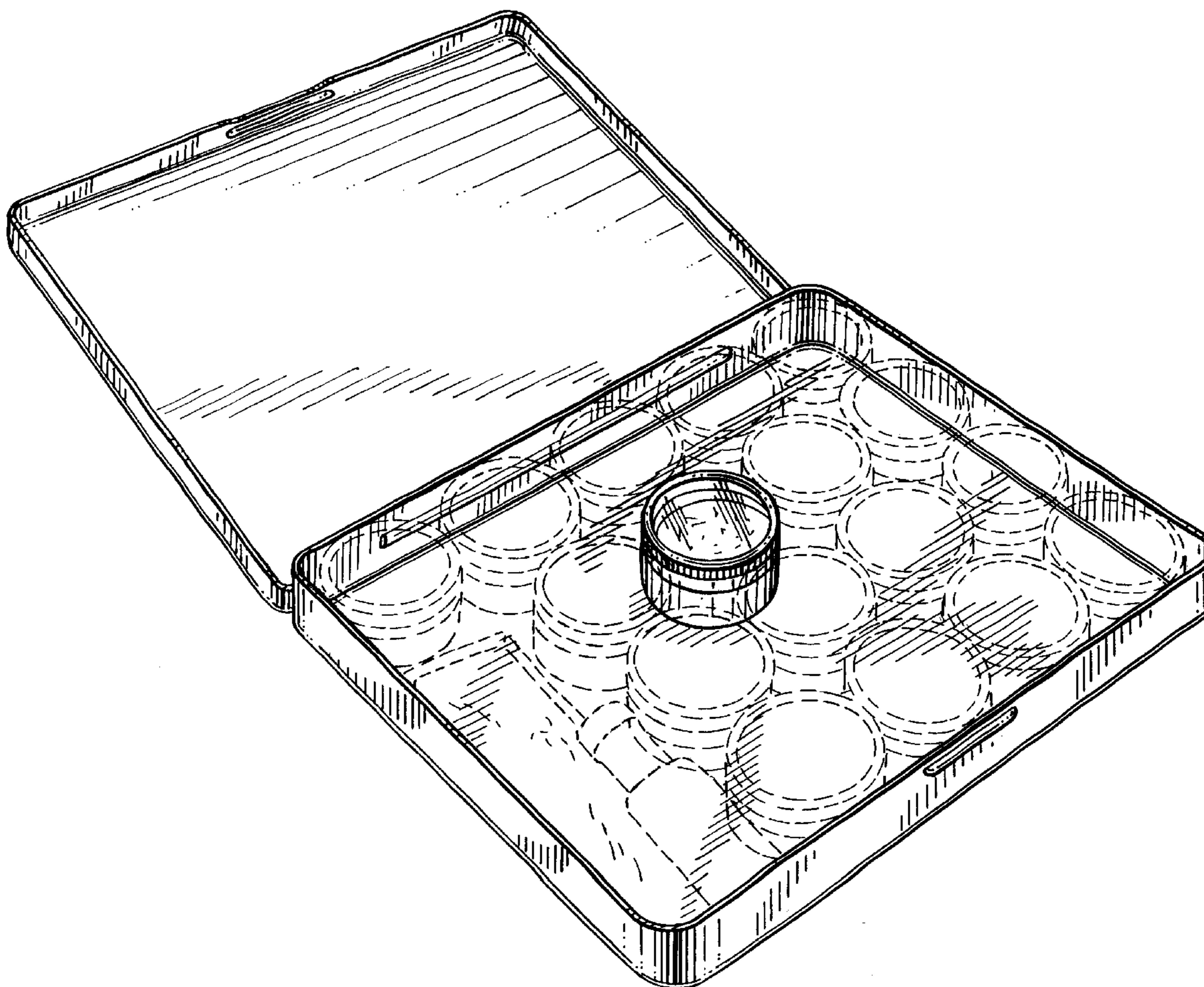


FIG. 1

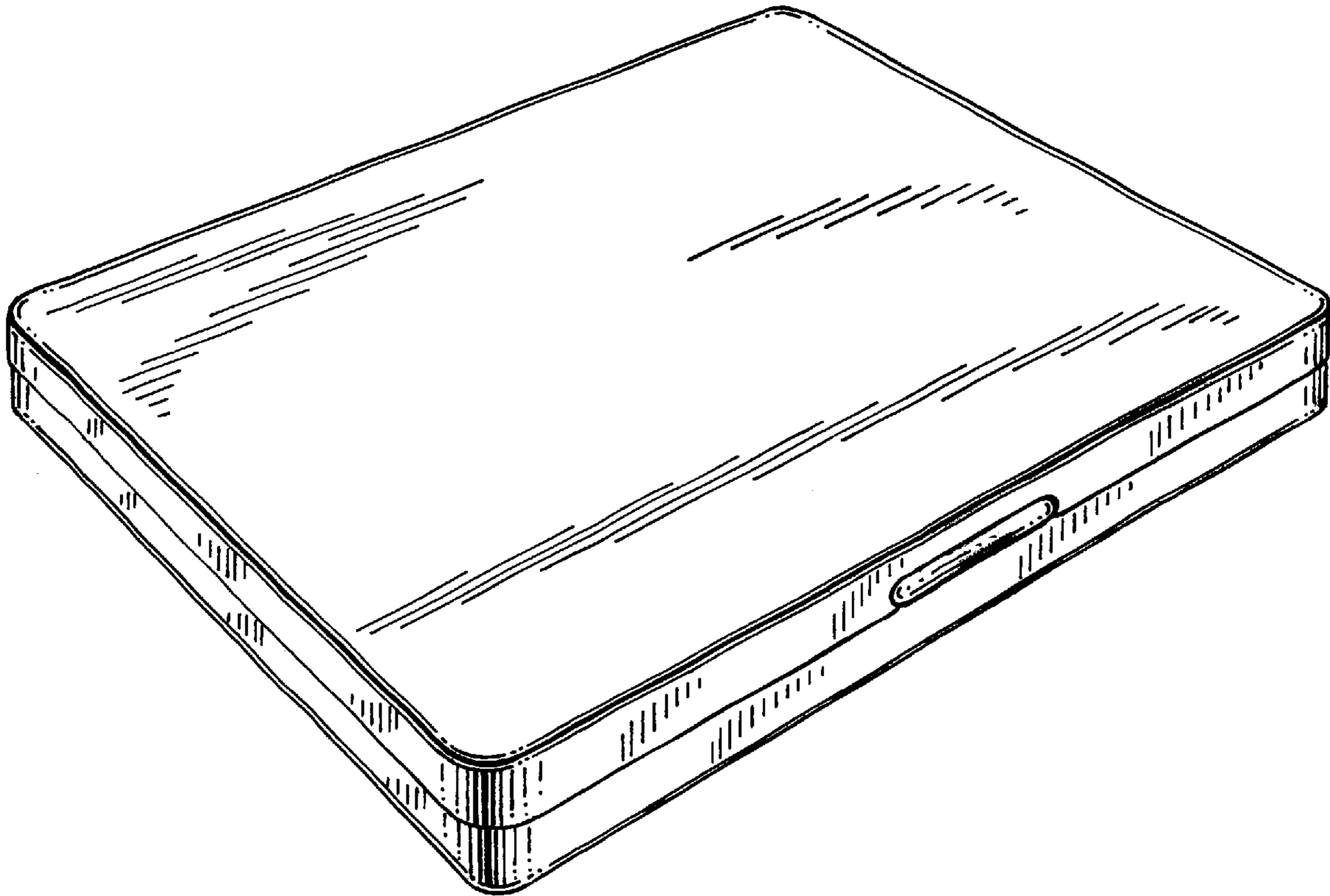


FIG. 2

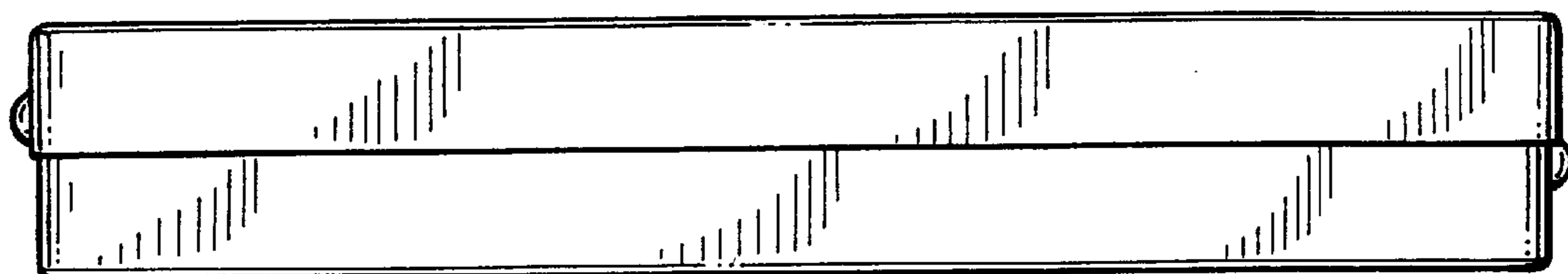


FIG. 3

