



US00D525482S

(12) **United States Design Patent**  
**Kassenaar**

(10) **Patent No.:** **US D525,482 S**  
(45) **Date of Patent:** **\*\* Jul. 25, 2006**

- (54) **BLENDER**
- (75) Inventor: **Anne Judith Kassenaar**, Newton, MA  
(US)
- (73) Assignee: **Conair Corporation**, Stamford, CT  
(US)
- (\*\*) Term: **14 Years**
- (21) Appl. No.: **29/230,567**
- (22) Filed: **May 24, 2005**
- (51) **LOC (8) Cl.** ..... **31-00**
- (52) **U.S. Cl.** ..... **D7/378**
- (58) **Field of Classification Search** ..... D7/306,  
D7/309, 311, 376-386, 412, 413, 415, 509,  
D7/523, 529, 530; 99/348, 509-511; 241/30,  
241/33, 37.5, 101.01, 101.1, 101.2, 282.2,  
241/285.1, 285.2, 301; 366/64, 65, 129, 197-214,  
366/219, 241-254, 314, 341, 349  
See application file for complete search history.

- D440,813 S \* 4/2001 Gort-Barten ..... D7/378
- D445,635 S 7/2001 Gort-Barten
- D448,967 S 10/2001 Planca et al.
- D450,978 S 11/2001 Smith
- D453,443 S 2/2002 Hoare et al.
- D466,362 S 12/2002 Moore
- D466,759 S 12/2002 Moore
- D466,760 S 12/2002 Baerenrodt et al.
- D473,099 S \* 4/2003 Yamamoto et al. .... D7/378
- D473,100 S 4/2003 Sakai et al.
- D478,468 S \* 8/2003 Holderfield et al. .... D7/386
- D491,416 S 6/2004 Pascotti
- D493,329 S 7/2004 Feil
- D498,643 S \* 11/2004 Pryor et al. .... D7/386
- D499,602 S 12/2004 Feil
- D502,358 S 3/2005 Weaden
- D507,149 S \* 7/2005 Ball et al. .... D7/386

(56) **References Cited**  
U.S. PATENT DOCUMENTS

- D163,031 S 4/1951 Florian
- D176,257 S 12/1955 Hill
- D178,854 S 9/1956 Waltman
- D181,541 S 11/1957 Madl
- D199,888 S \* 12/1964 Dewenter ..... D7/378
- D202,685 S 10/1965 Cabell
- D213,938 S 4/1969 Morris
- D336,590 S 6/1993 Barnard
- D373,504 S 9/1996 Leverrier
- D386,941 S 12/1997 Barker
- D391,442 S 3/1998 Sundquist
- D394,986 S 6/1998 Lallemand
- D396,990 S 8/1998 Leverrier
- D400,757 S \* 11/1998 Hippen et al. .... D7/378
- D403,202 S 12/1998 Cousins
- D412,809 S \* 8/1999 Toro et al. .... D7/378
- D415,384 S 10/1999 Littmann
- D439,797 S 4/2001 Planca et al.

**OTHER PUBLICATIONS**

Cuisinart Website, May 2005, The Cuisinart SmartPower Classic™ Blender, [http://www.cuisinart.com/catalog/product.php?product\\_id=371&item\\_id=468&cat\\_id=1](http://www.cuisinart.com/catalog/product.php?product_id=371&item_id=468&cat_id=1).\*

\* cited by examiner

*Primary Examiner*—Caron D. Veynar  
*Assistant Examiner*—Ricky Pham  
(74) *Attorney, Agent, or Firm*—Lawrence Cruz; Steven A. Garner

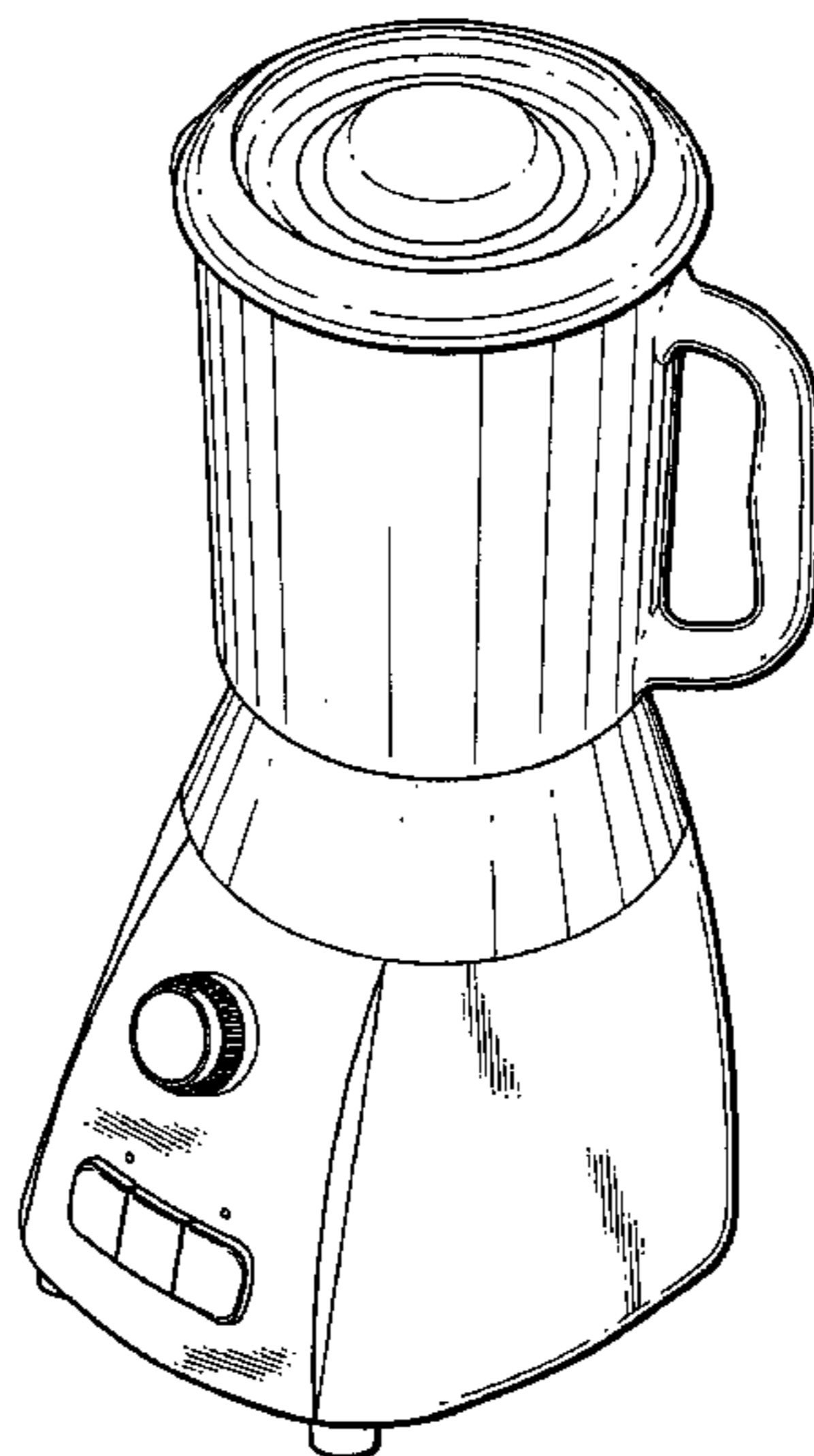
(57) **CLAIM**

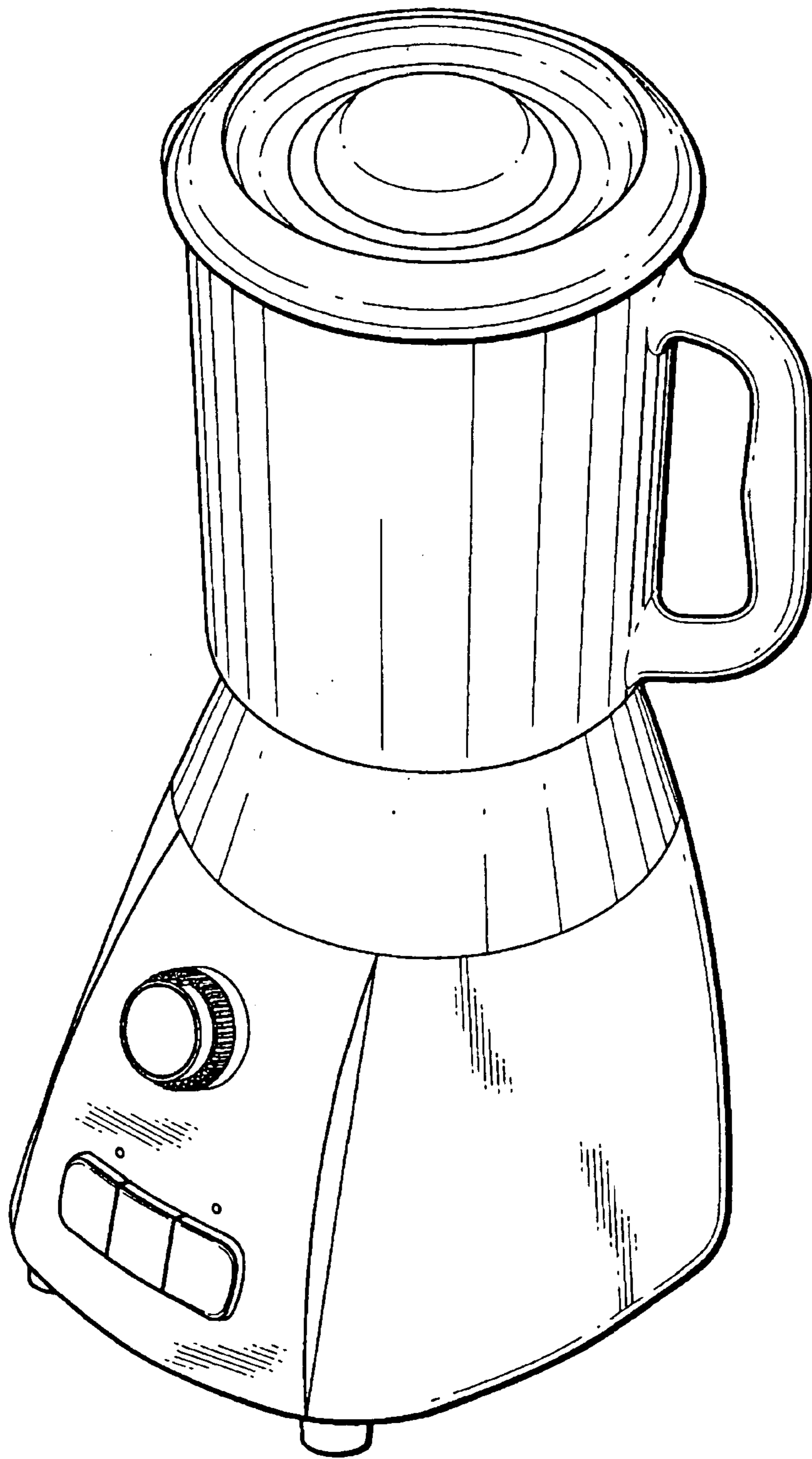
The ornmental design for a blender, as shown.

**DESCRIPTION**

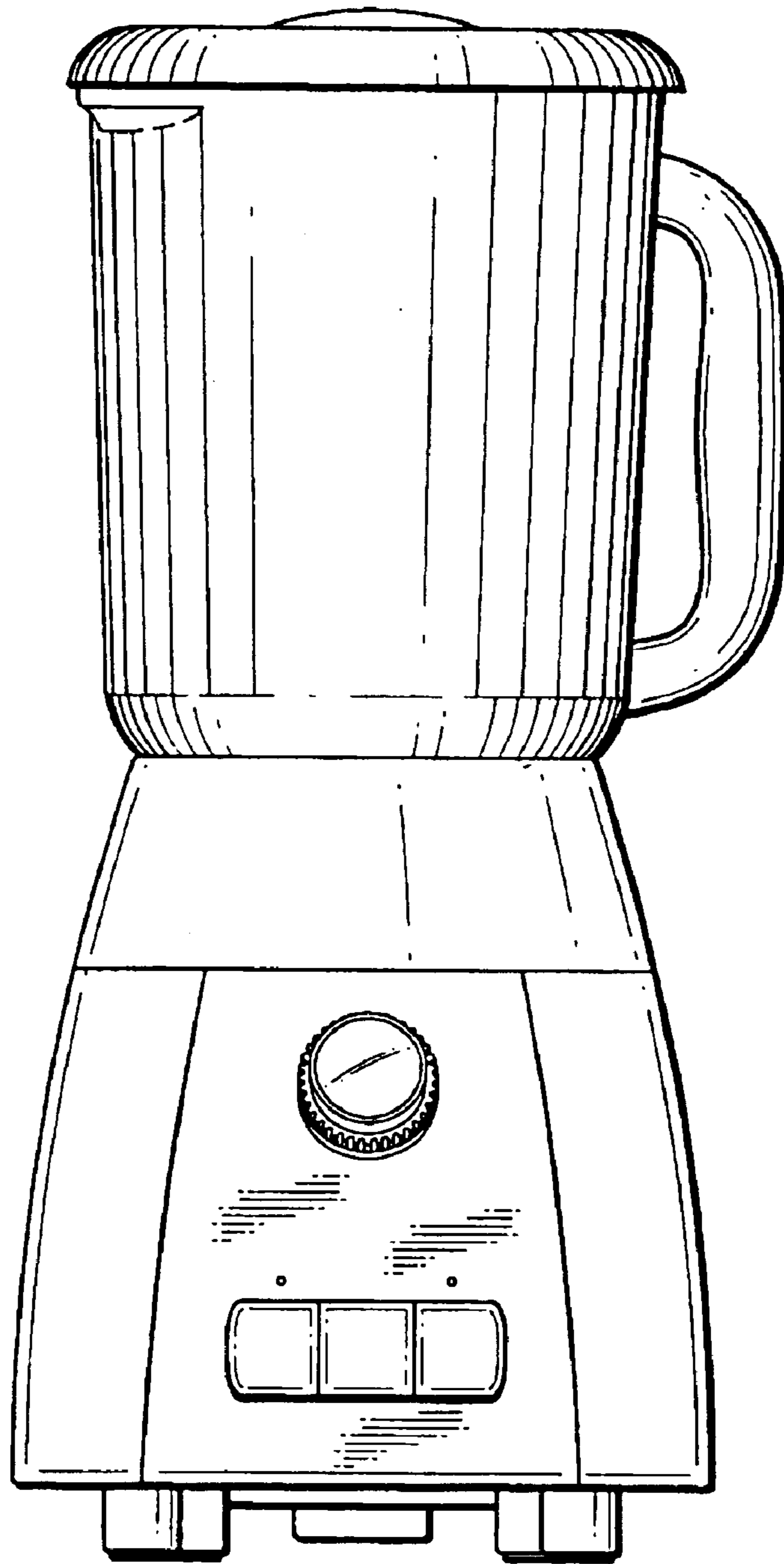
FIG. 1 is perspective view of a blender showing my new design;  
FIG. 2 is a front elevational view thereof;  
FIG. 3 is a left side elevational view thereof;  
FIG. 4 is a rear elevational view thereof;  
FIG. 5 is a right side elevational view thereof;  
FIG. 6 is a top plan view thereof; and,  
FIG. 7 is a bottom plan view thereof.

**1 Claim, 6 Drawing Sheets**

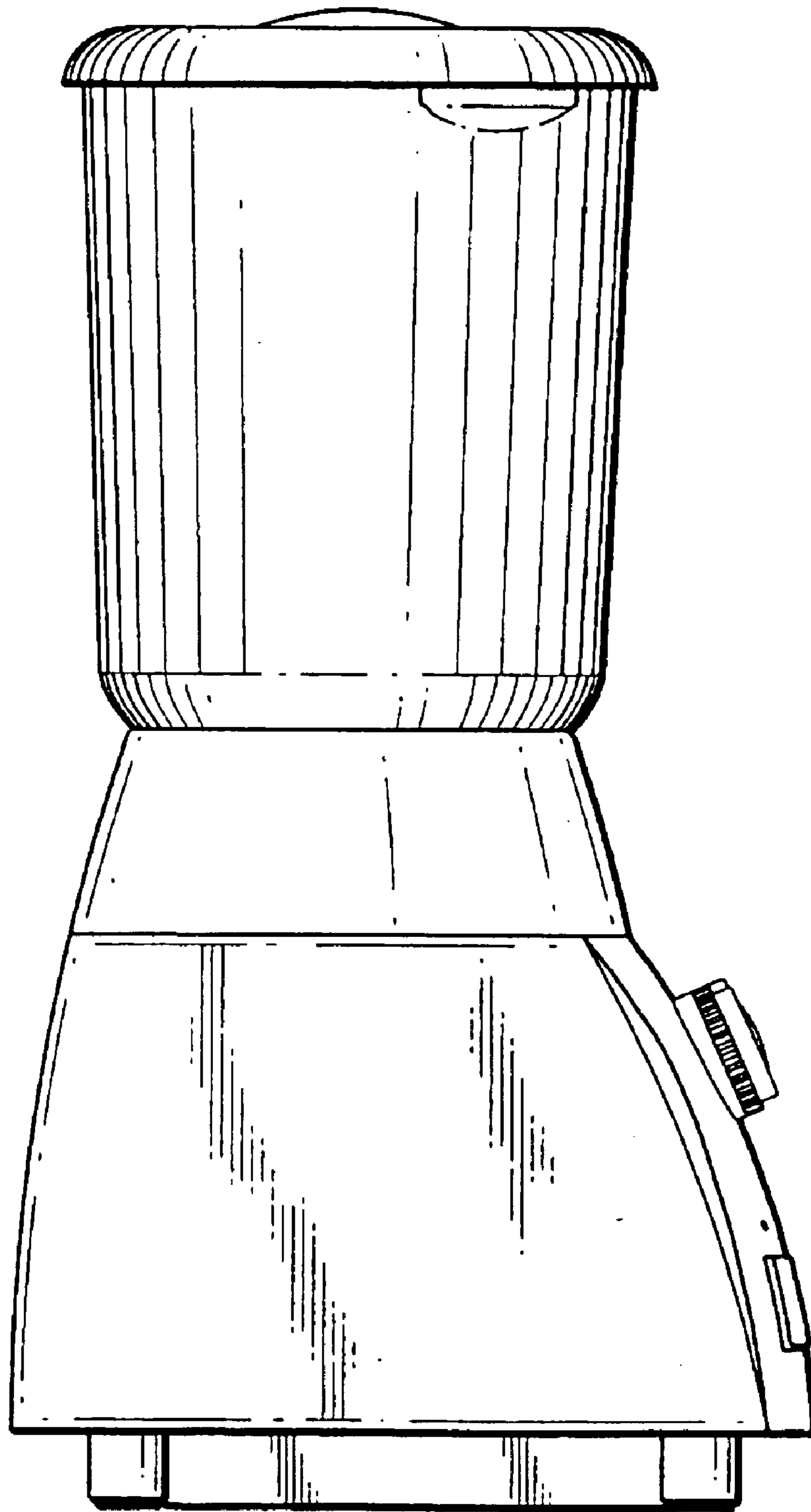




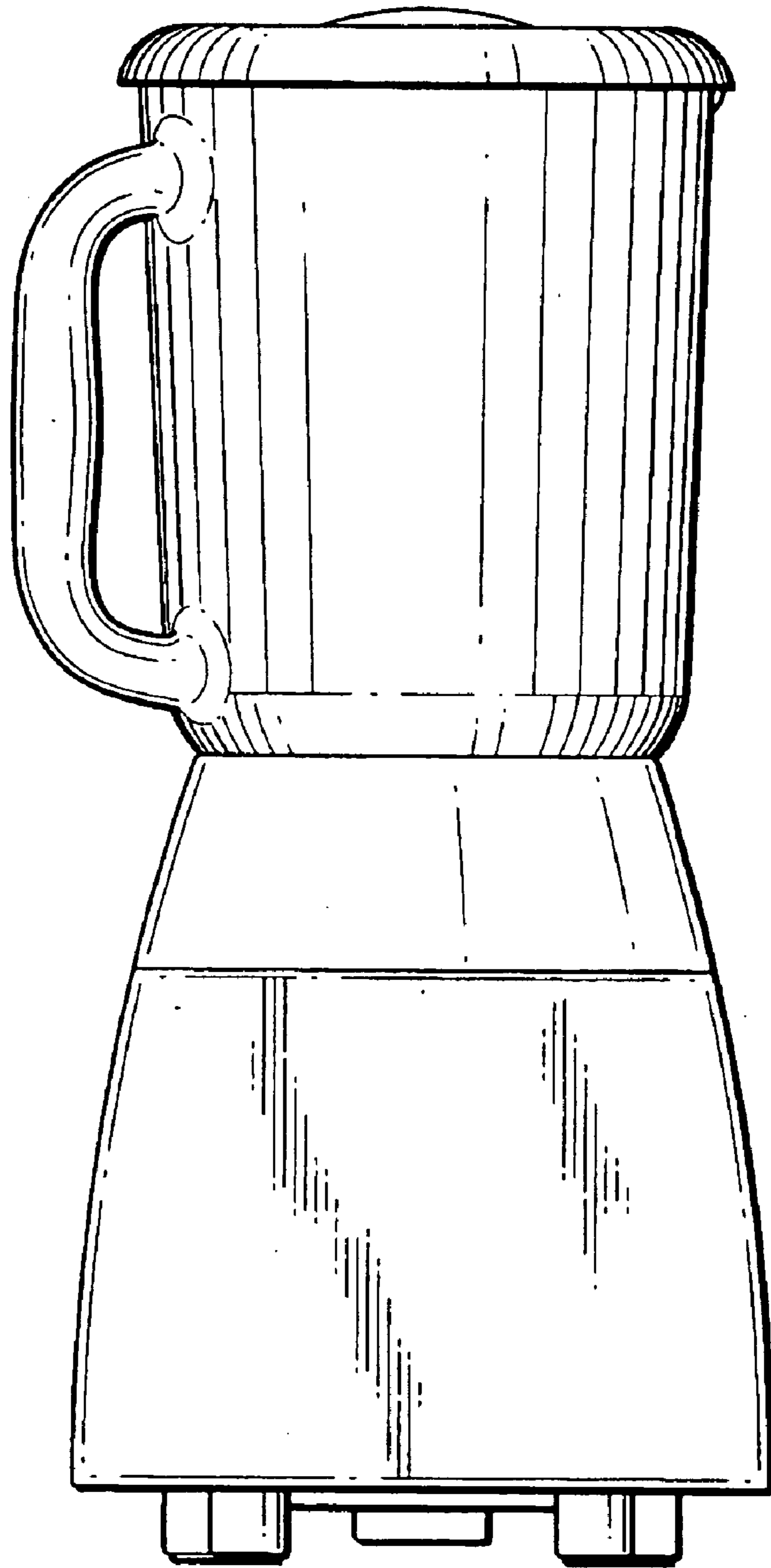
**FIG. 1**



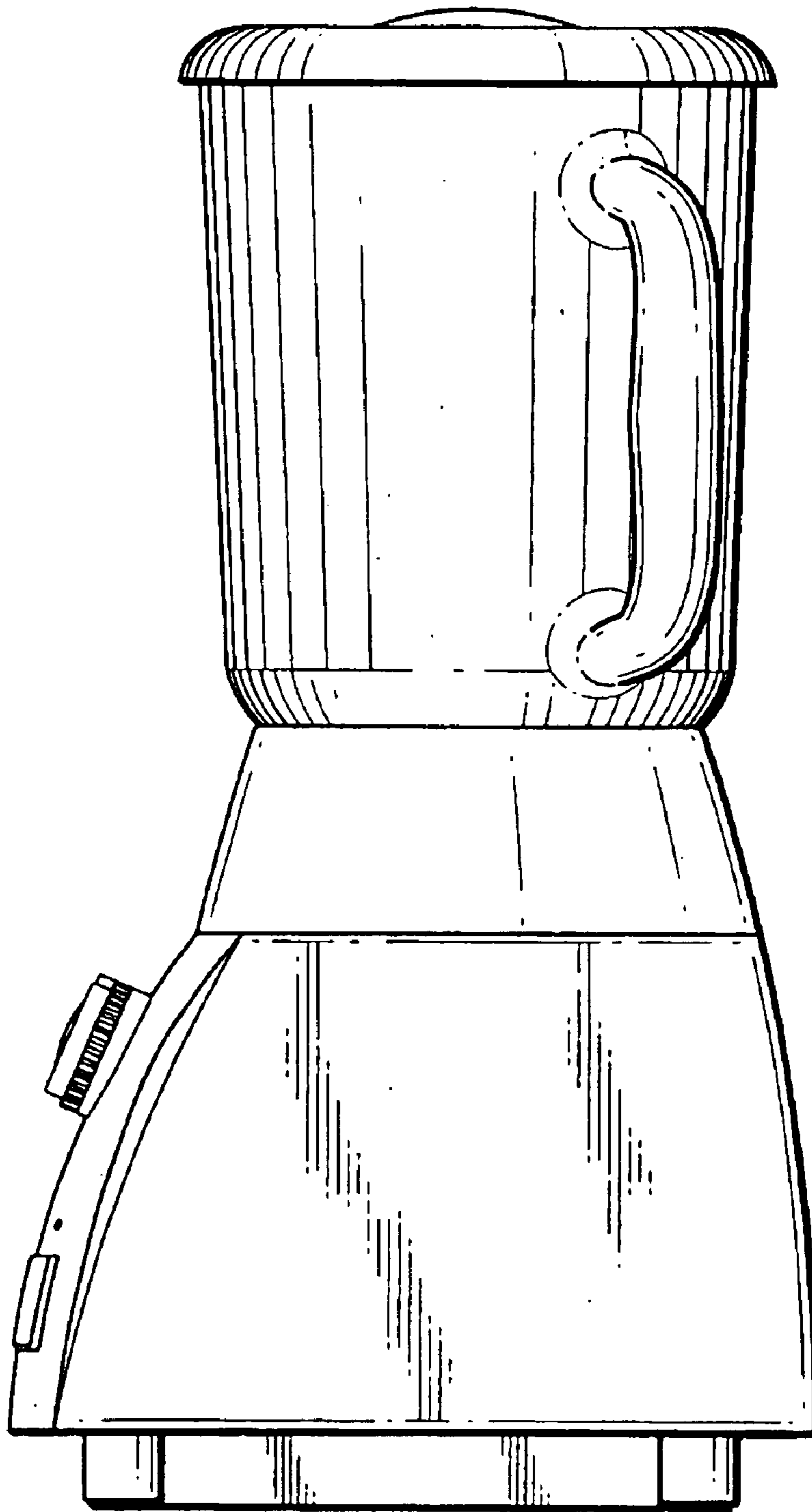
**FIG. 2**



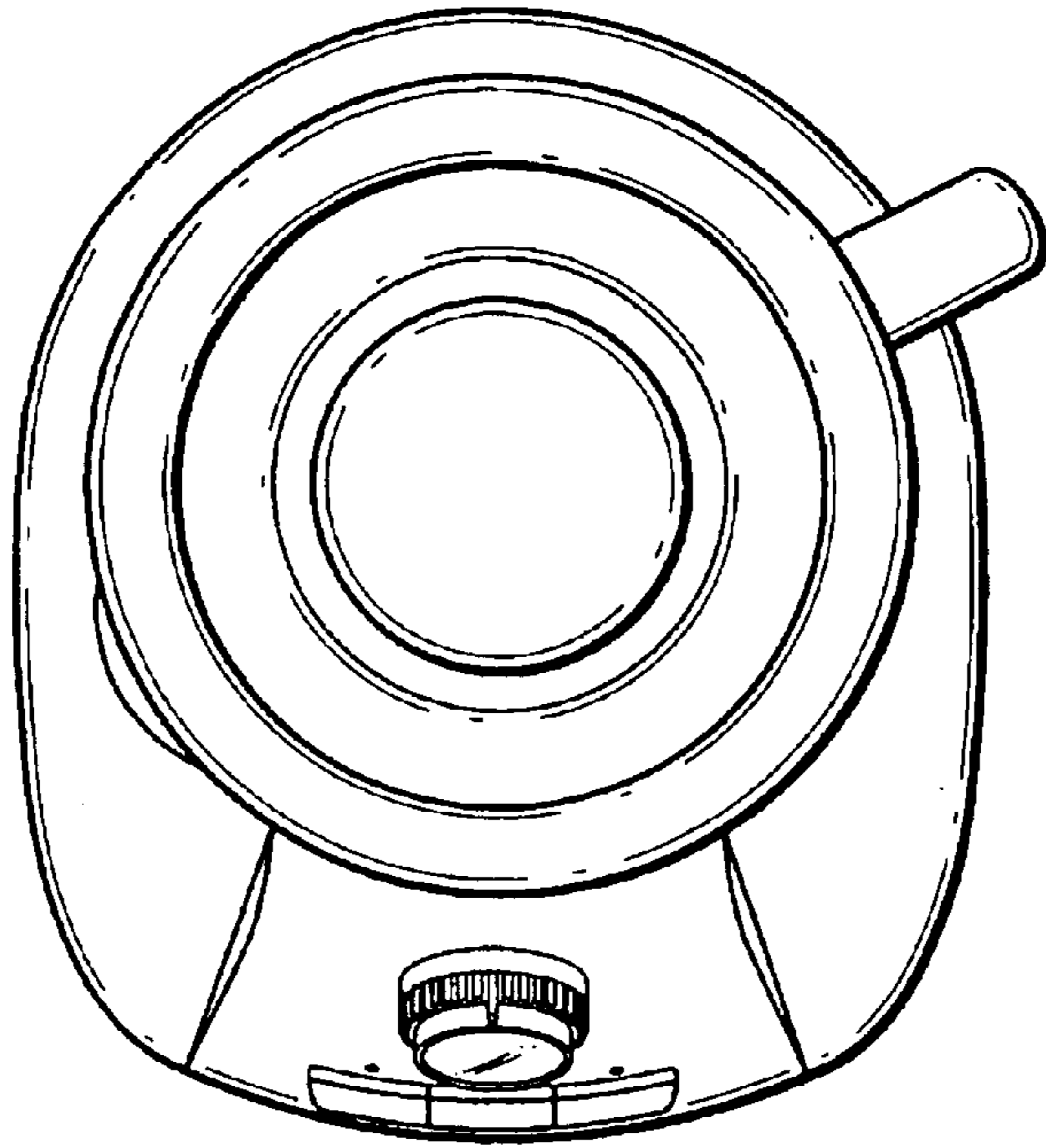
**FIG. 3**



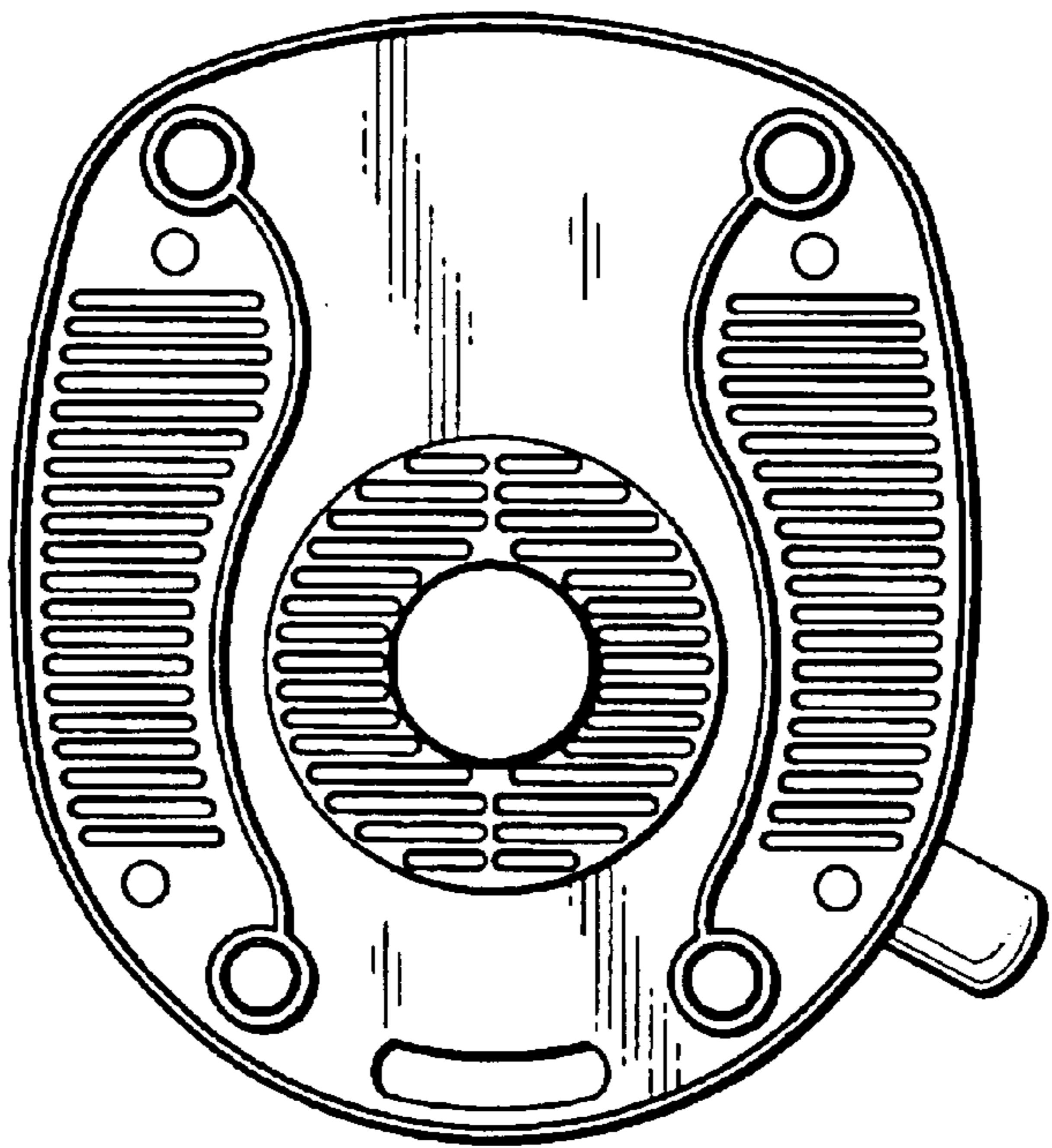
**FIG. 4**



**FIG. 5**



**FIG. 6**



**FIG. 7**