

US00D525481S

(12) **United States Design Patent**
Kassenaar

(10) **Patent No.:** **US D525,481 S**
(45) **Date of Patent:** **** Jul. 25, 2006**

(54) **BLENDER**

(75) Inventor: **Anne Judith Kassenaar**, Newton, MA
(US)

(73) Assignee: **Conair Corporation**, Stamford, CT
(US)

(**) Term: **14 Years**

(21) Appl. No.: **29/227,702**

(22) Filed: **Apr. 14, 2005**

(51) **LOC (8) Cl.** **31-00**

(52) **U.S. Cl.** **D7/378**

(58) **Field of Classification Search** D7/306,
D7/309, 311, 376-386, 412, 413, 415, 509,
D7/523, 529, 530; 99/348, 509-511; 241/30,
241/33, 37.5, 101.01, 101.1, 101.2, 282.2,
241/285.1, 285.2, 301; 366/64, 65, 129, 197-214,
366/219, 241-254, 314, 341, 349

See application file for complete search history.

(56) **References Cited**

U.S. PATENT DOCUMENTS

D200,494 S	*	3/1965	Bezark	D7/386
3,548,280 A	*	12/1970	Cockroft	318/443
D228,698 S	*	10/1973	Bernard, Jr.	D7/378
D444,344 S	*	7/2001	Barthelemy et al.	D7/378
D473,749 S	*	4/2003	Pascotti	D7/386
D484,357 S	*	12/2003	Seum et al.	D7/378
2002/0080678 A1	*	6/2002	Daniels, Jr.	366/205

2003/0099154 A1	*	5/2003	Daniels, Jr.	366/191
2005/0018534 A1	*	1/2005	Nikkah	366/205
2005/0207270 A1	*	9/2005	Beesley	366/205

OTHER PUBLICATIONS

Frontgate—Outfitting America’s Finest Homes, Early Summer 2005 Catalog, Item #23322 Professional Smoothie Maker.*

Cuisinart Website, Sep. 2005, The Cuisinart Smooth Operator® (model No. SMO-56), http://www.cuisinart.com/catalog/product.php?product_id=392&item_id=488.*

* cited by examiner

Primary Examiner—Caron D. Veynar

Assistant Examiner—Ricky Pham

(74) *Attorney, Agent, or Firm*—Lawrence Cruz; Steven A. Garner

(57) **CLAIM**

The ornamental design for a blender, as shown.

DESCRIPTION

FIG. 1 is perspective view of a blender showing my new design;

FIG. 2 is a front elevational view thereof;

FIG. 3 is a left side elevational view thereof;

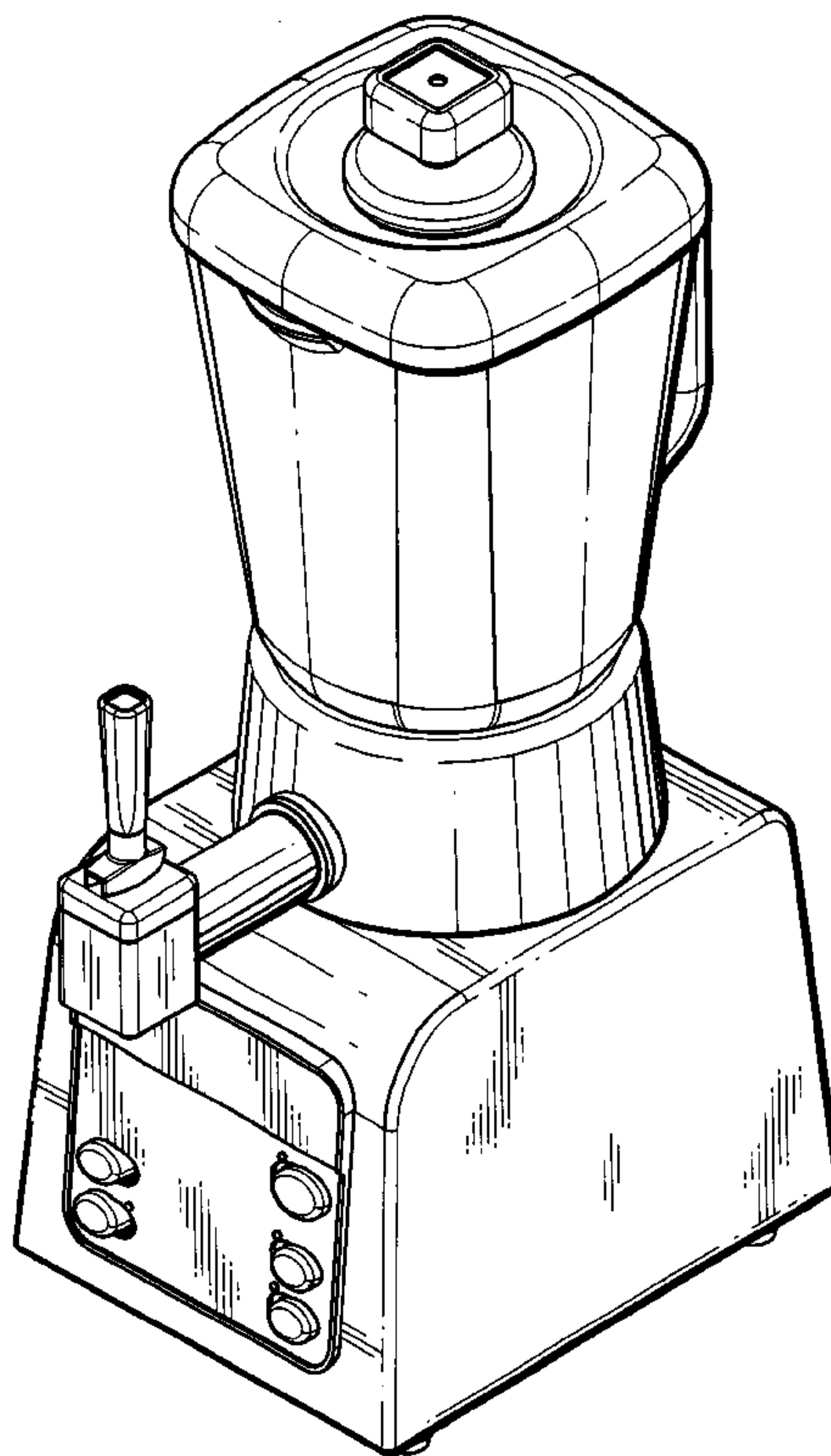
FIG. 4 is a rear elevational view thereof;

FIG. 5 is a right side elevational view thereof;

FIG. 6 is a top plan view thereof; and,

FIG. 7 is a bottom plan view thereof.

1 Claim, 6 Drawing Sheets



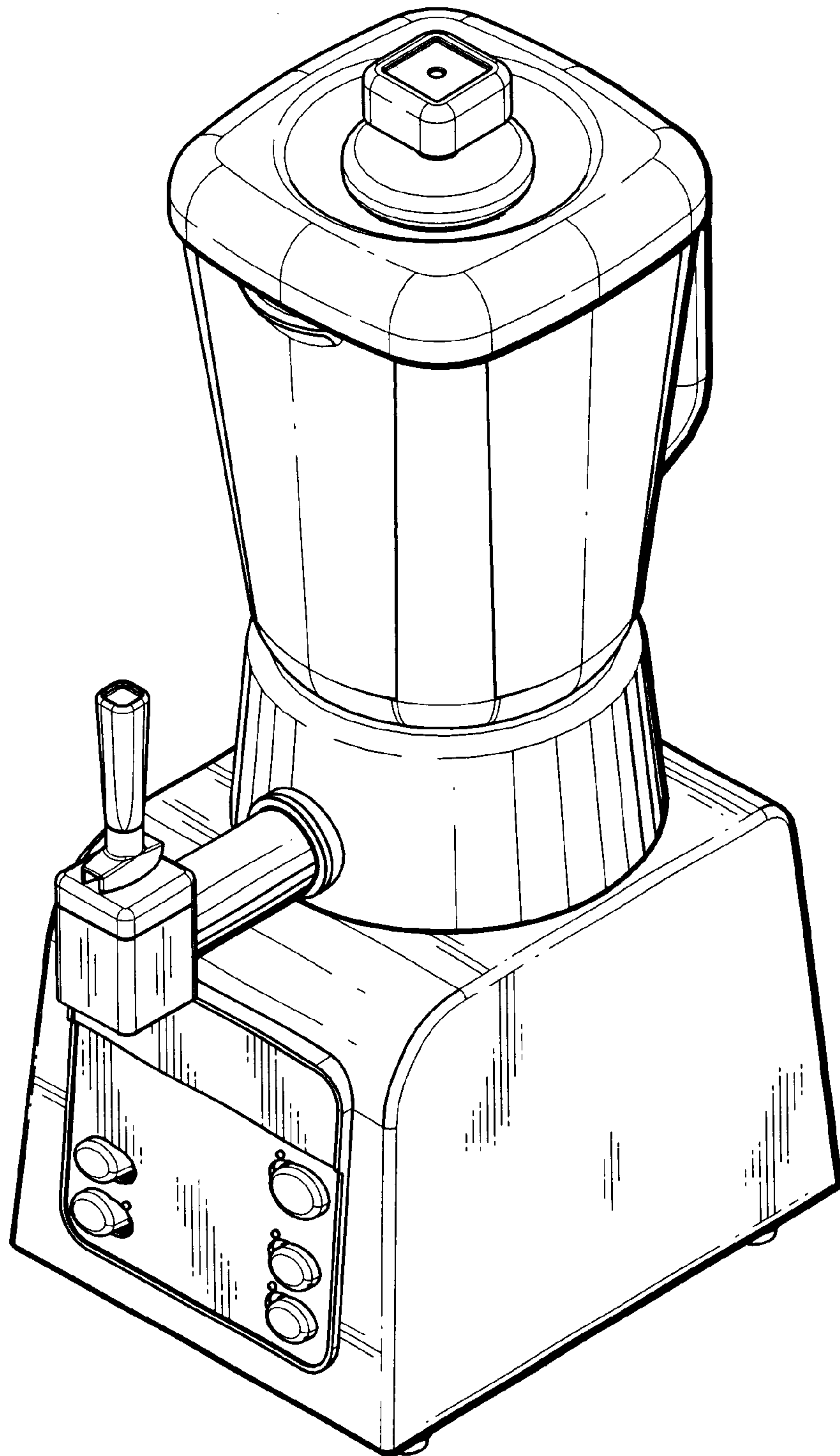


FIG. 1

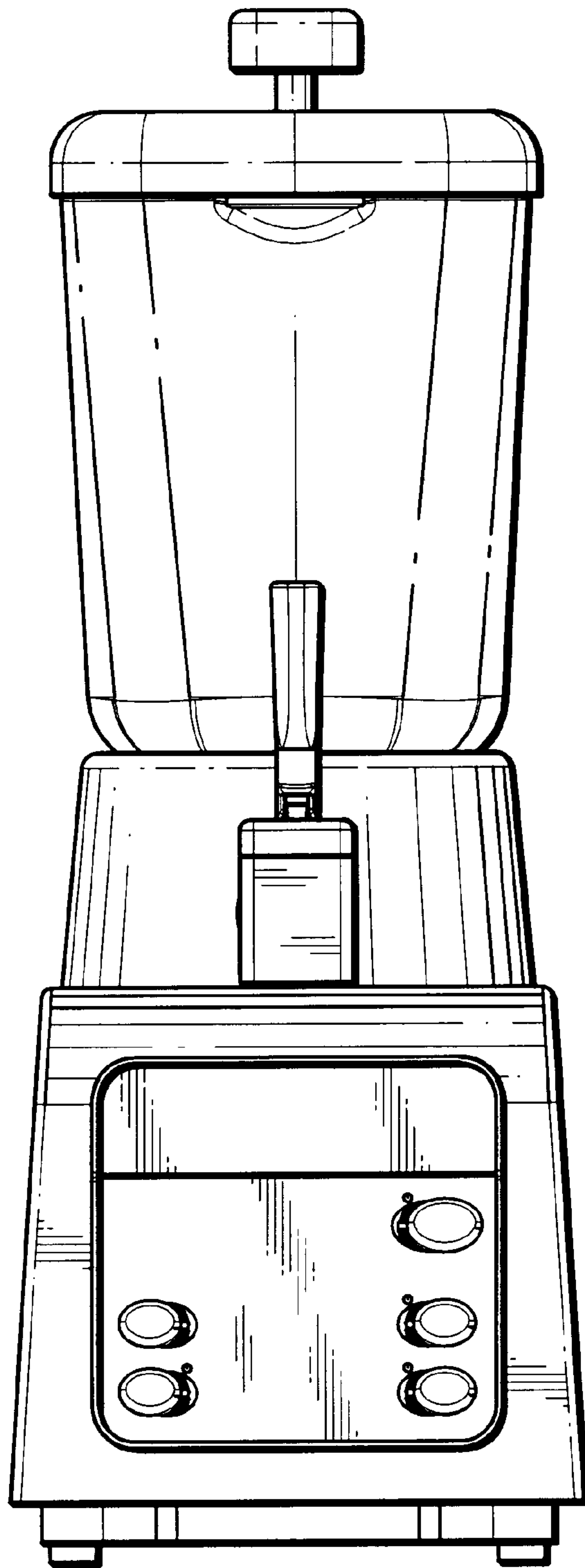


FIG. 2

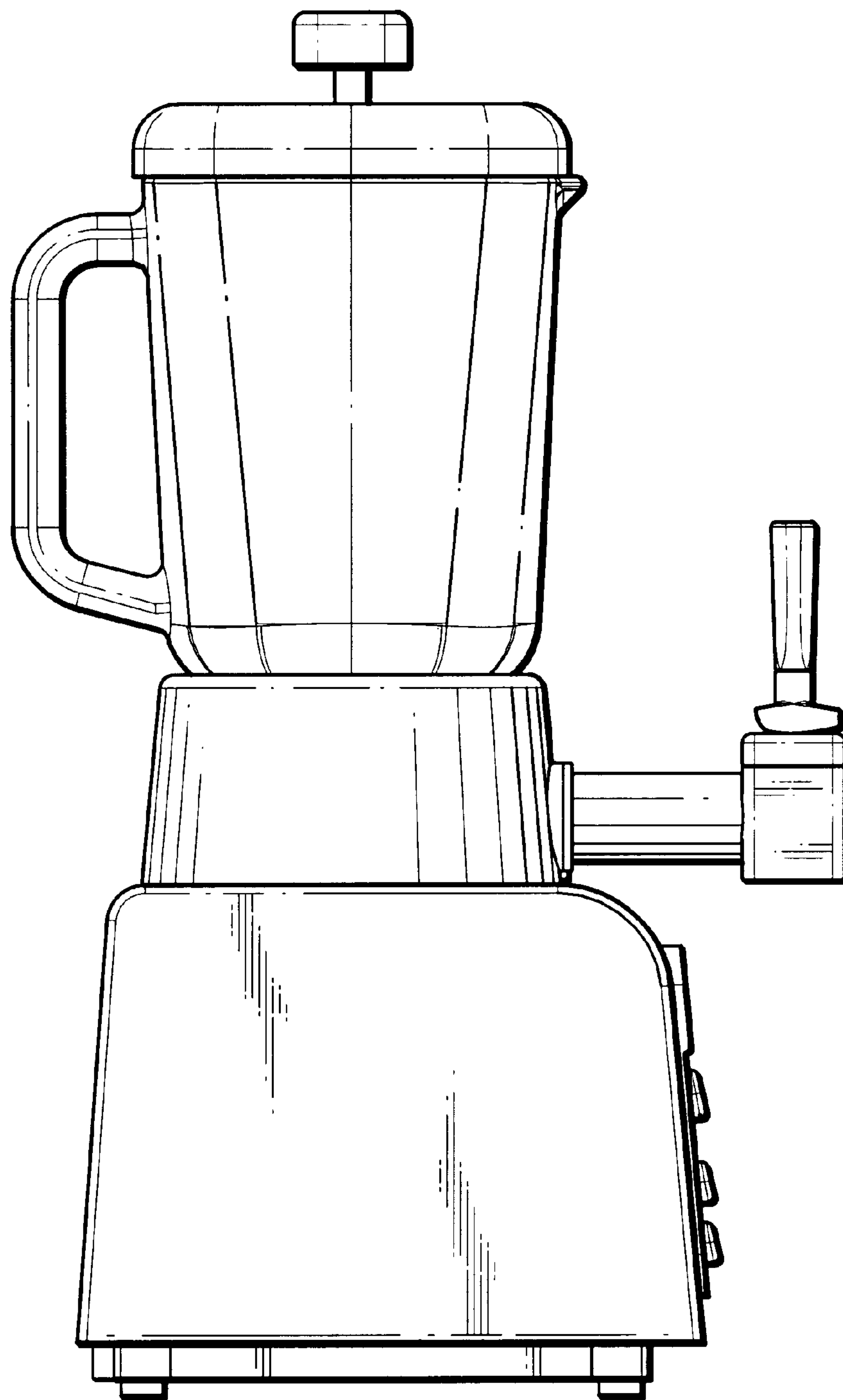


FIG. 3

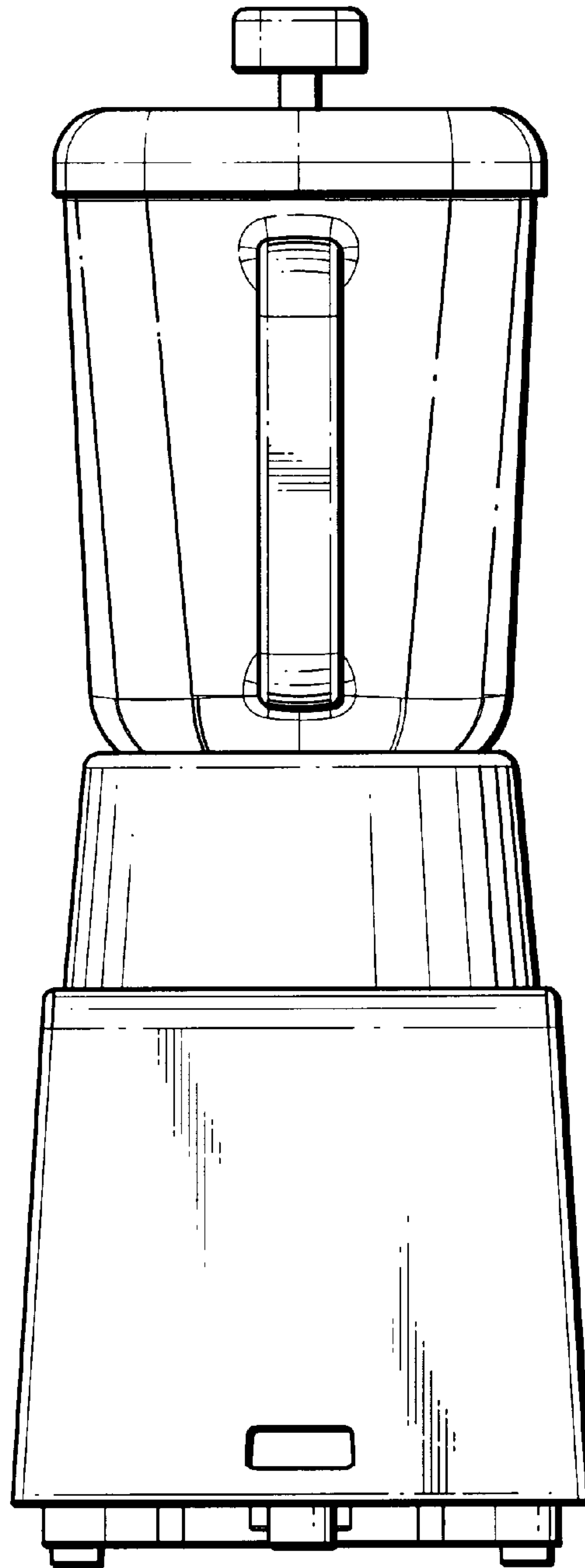


FIG. 4

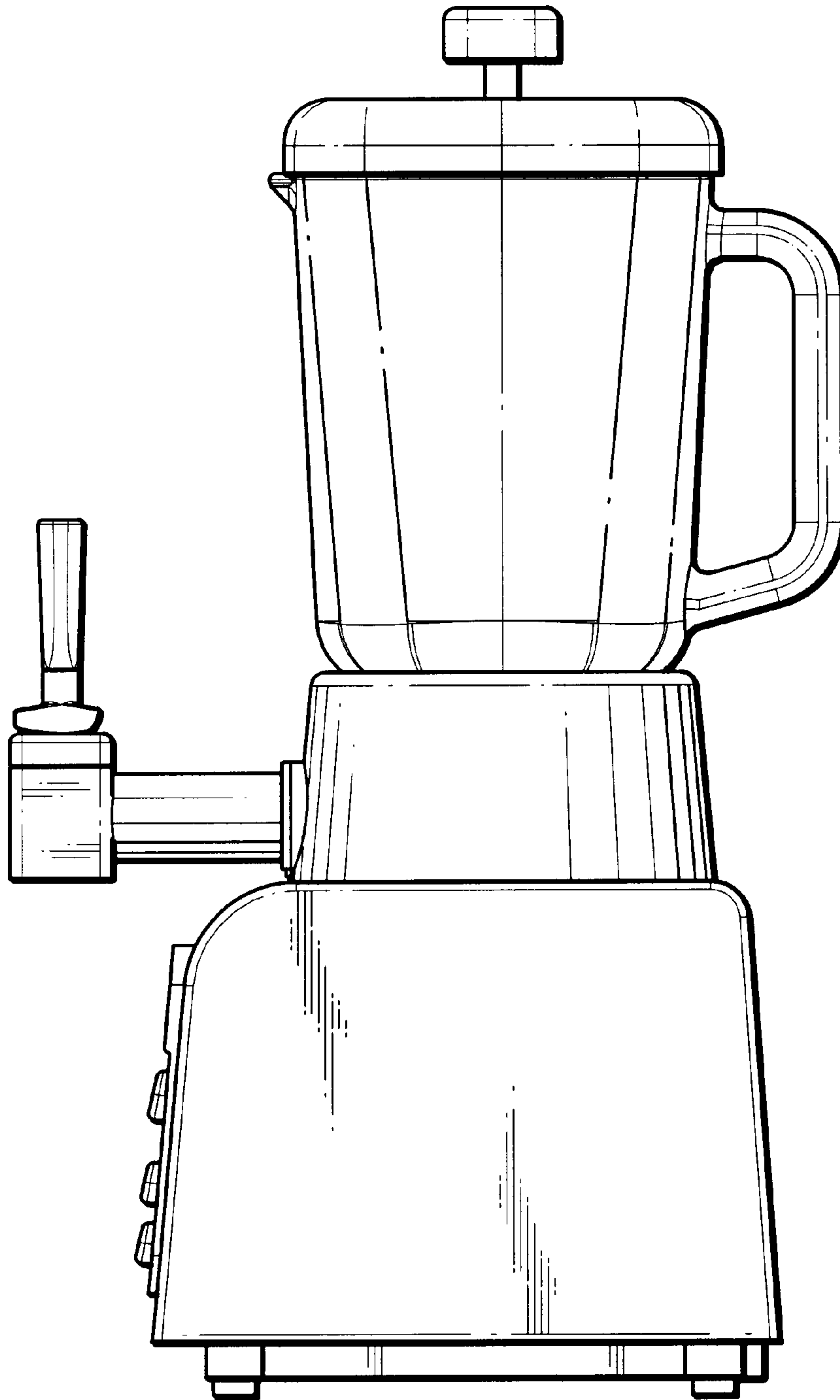


FIG. 5

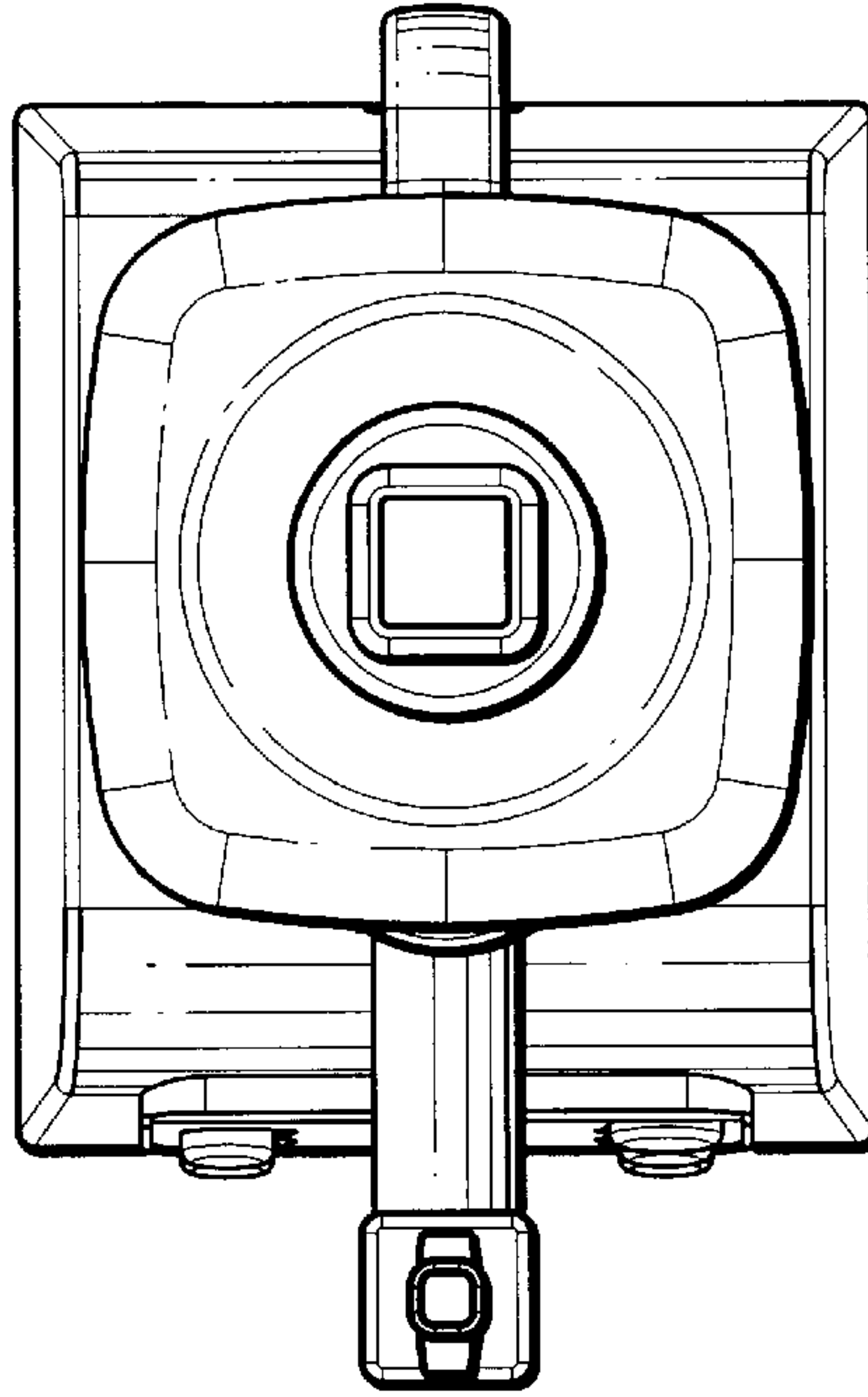


FIG. 6

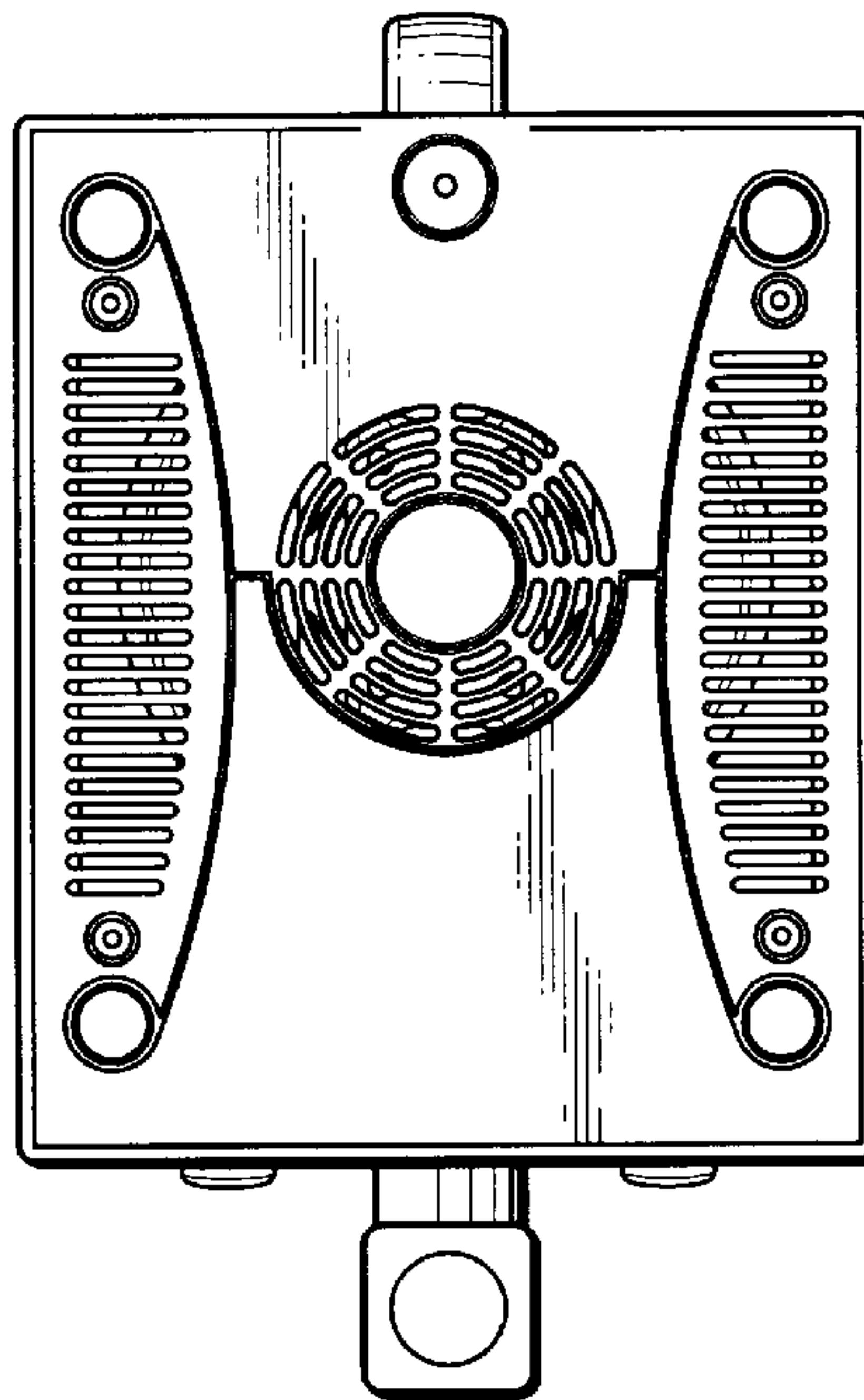


FIG. 7