

US00D525479S

(12) **United States Design Patent**
Olsen et al.

(10) **Patent No.:** **US D525,479 S**
(45) **Date of Patent:** **** *Jul. 25, 2006**

- (54) **WOK**
- (75) Inventors: **Mary C. Olsen**, New Canaan, CT (US);
Amelia M. Herdrich, New York, NY (US); **James R. Barraclough**,
Waterbury, CT (US)
- (73) Assignee: **Conair Corporation**, Stamford, CT (US)
- (*) Notice: This patent is subject to a terminal disclaimer.
- (**) Term: **14 Years**
- (21) Appl. No.: **29/213,797**
- (22) Filed: **Sep. 23, 2004**
- (51) **LOC (8) Cl.** **07-02**
- (52) **U.S. Cl.** **D7/360**
- (58) **Field of Classification Search** D7/354,
D7/355, 358, 359, 360, 500; 99/325, 331,
99/342, 343; 220/573.1, 573.2, 573.3, 573.4
See application file for complete search history.

5,032,699 A	7/1991	Hu	
5,129,314 A	7/1992	Hu	
D359,652 S	6/1995	Mendelson et al.	
D369,272 S	4/1996	Mendelson et al.	
5,687,642 A	11/1997	Chao	
D387,240 S	12/1997	Simmonds et al.	
5,778,768 A	7/1998	McClellan	
6,097,004 A	8/2000	Seul	
D434,269 S	11/2000	Jo	
D436,287 S	* 1/2001	Choi	D7/360
D438,422 S	* 3/2001	Choi	D7/360
D453,091 S	1/2002	Gouthiere	
6,347,576 B1	* 2/2002	Chung	99/331
6,360,654 B1	3/2002	Cornfield	
6,552,306 B1	4/2003	Edmonds	
D479,432 S	* 9/2003	Barker	D7/360
6,718,967 B1	4/2004	Luther	

* cited by examiner

Primary Examiner—Caron D. Veynar
Assistant Examiner—Ricky Pham
(74) *Attorney, Agent, or Firm*—Lawrence Cruz; Steven A. Garner

(57) **CLAIM**

The ornamental design for a wok, as shown and described.

DESCRIPTION

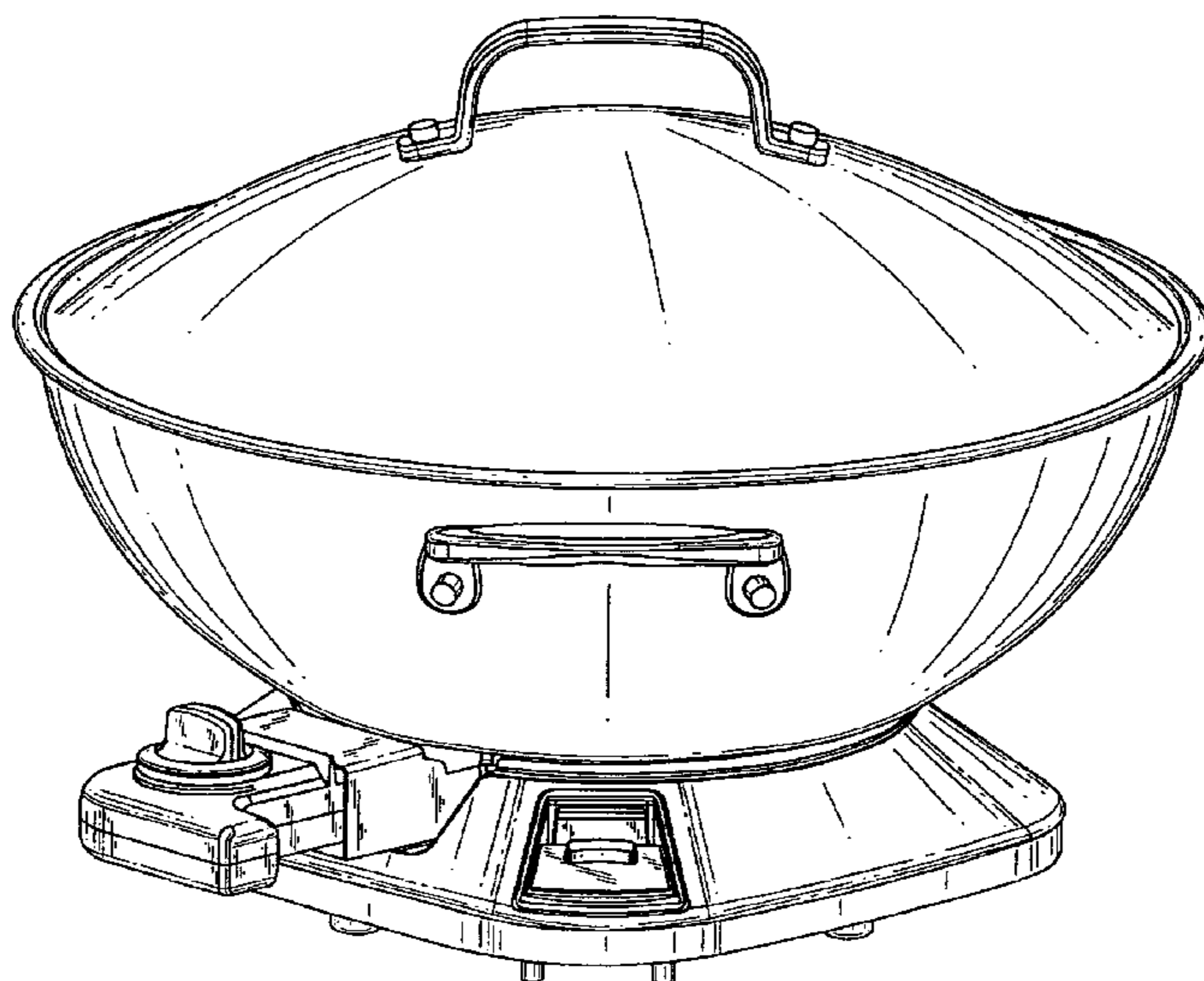
FIG. 1 is a perspective view of a wok showing our new design;
FIG. 2 is a right side view thereof;
FIG. 3 is a left side view thereof;
FIG. 4 is a rear view thereof;
FIG. 5 is a front view thereof;
FIG. 6 is a top view thereof; and,
FIG. 7 is a bottom view thereof.
The broken lines are shown for illustrative purposes only and form no part of the claimed design.

1 Claim, 7 Drawing Sheets

(56) **References Cited**

U.S. PATENT DOCUMENTS

D47,384 S	5/1915	Kuhn et al.	
D225,433 S	12/1972	Rosenlund	
4,332,188 A	6/1982	Rhear	
D267,388 S	12/1982	Spoeth, Jr. et al.	
D269,319 S	* 6/1983	Fox	D7/360
D276,493 S	* 11/1984	Cesaroni	D7/355
D276,689 S	12/1984	Spoeth, Jr.	
4,492,853 A	1/1985	Lam	
4,555,616 A	11/1985	O'Brien	
4,666,727 A	5/1987	Wang	
4,996,410 A	2/1991	Ho	
D317,549 S	6/1991	Stadelmaier	



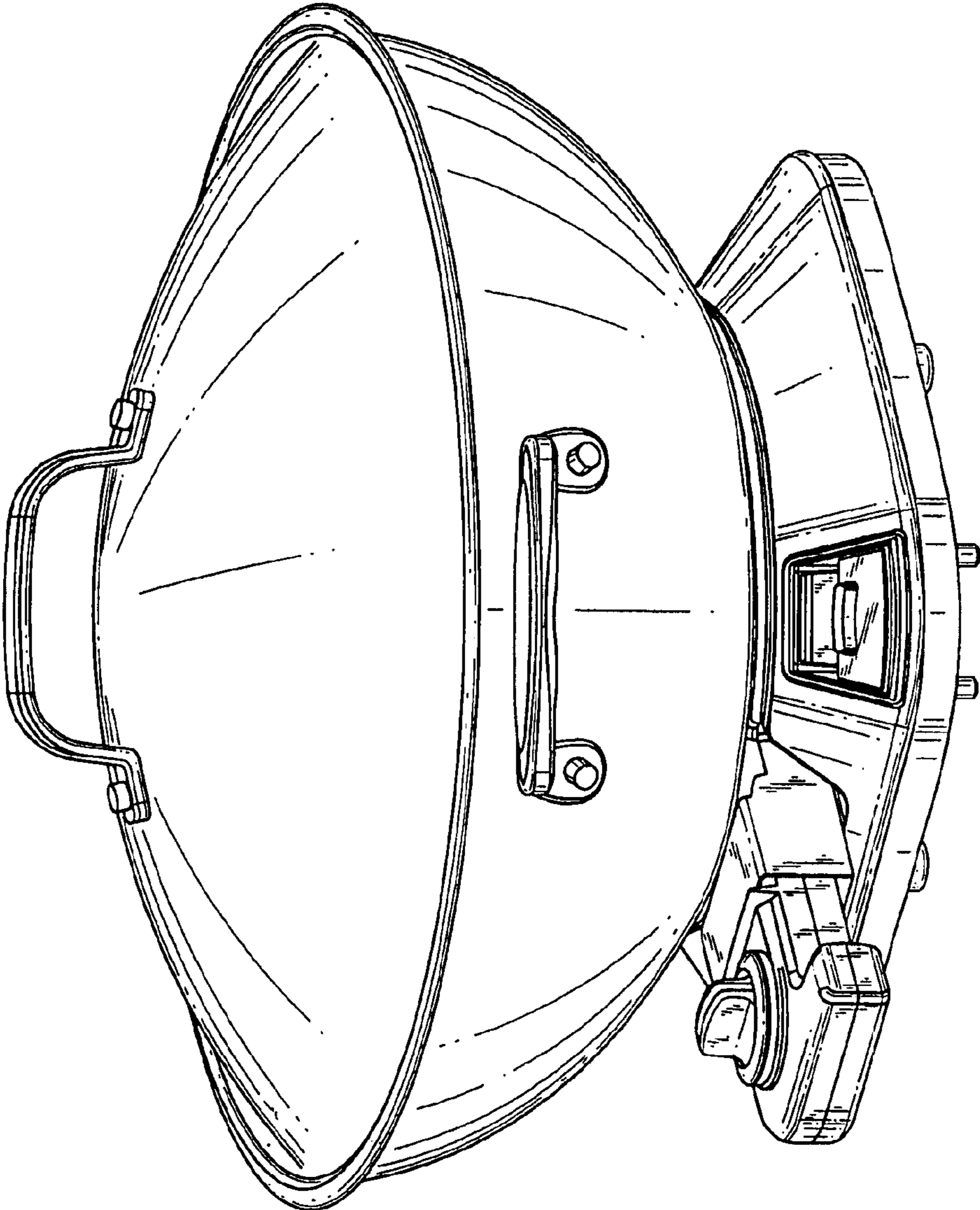


FIG. 1

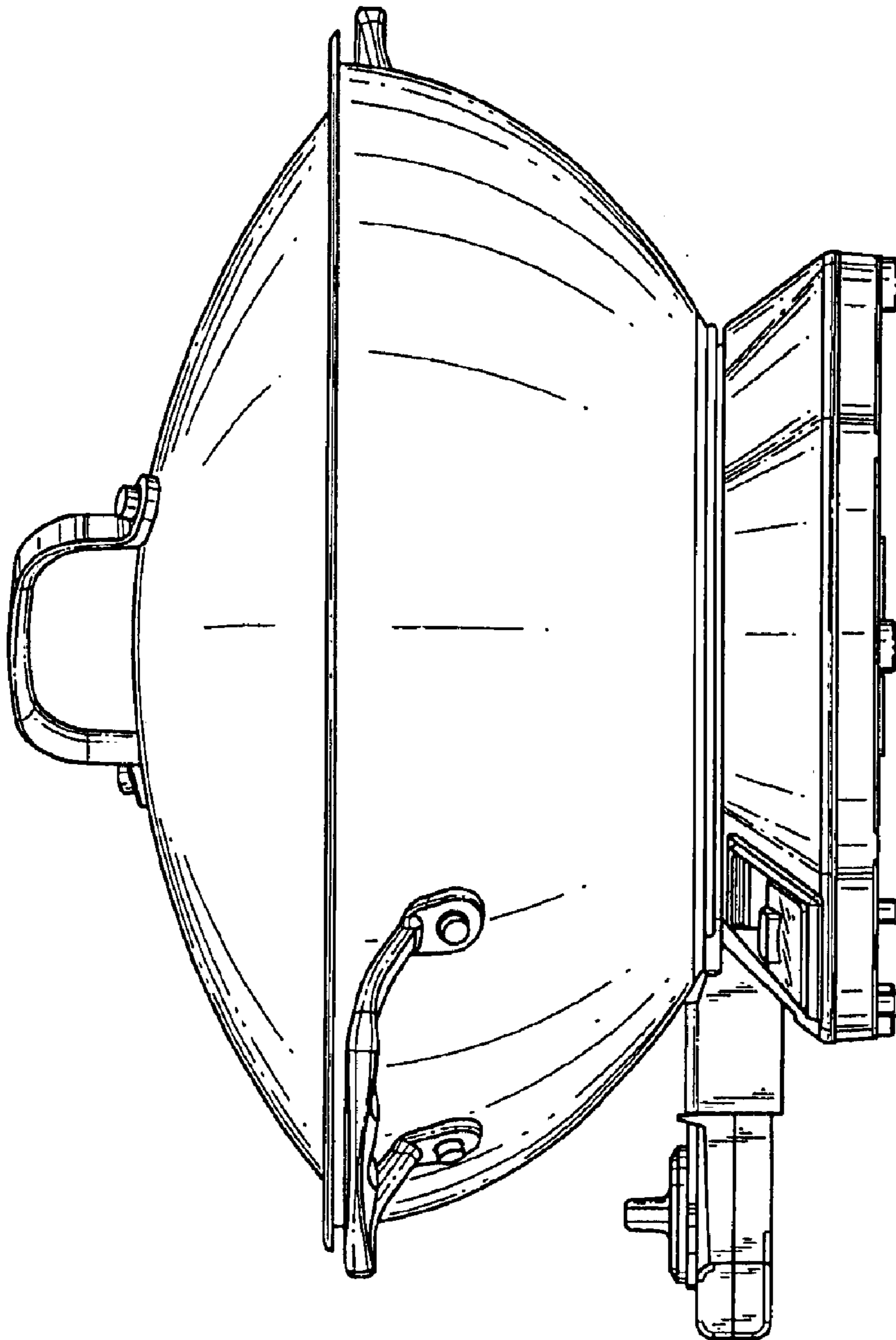


FIG. 2

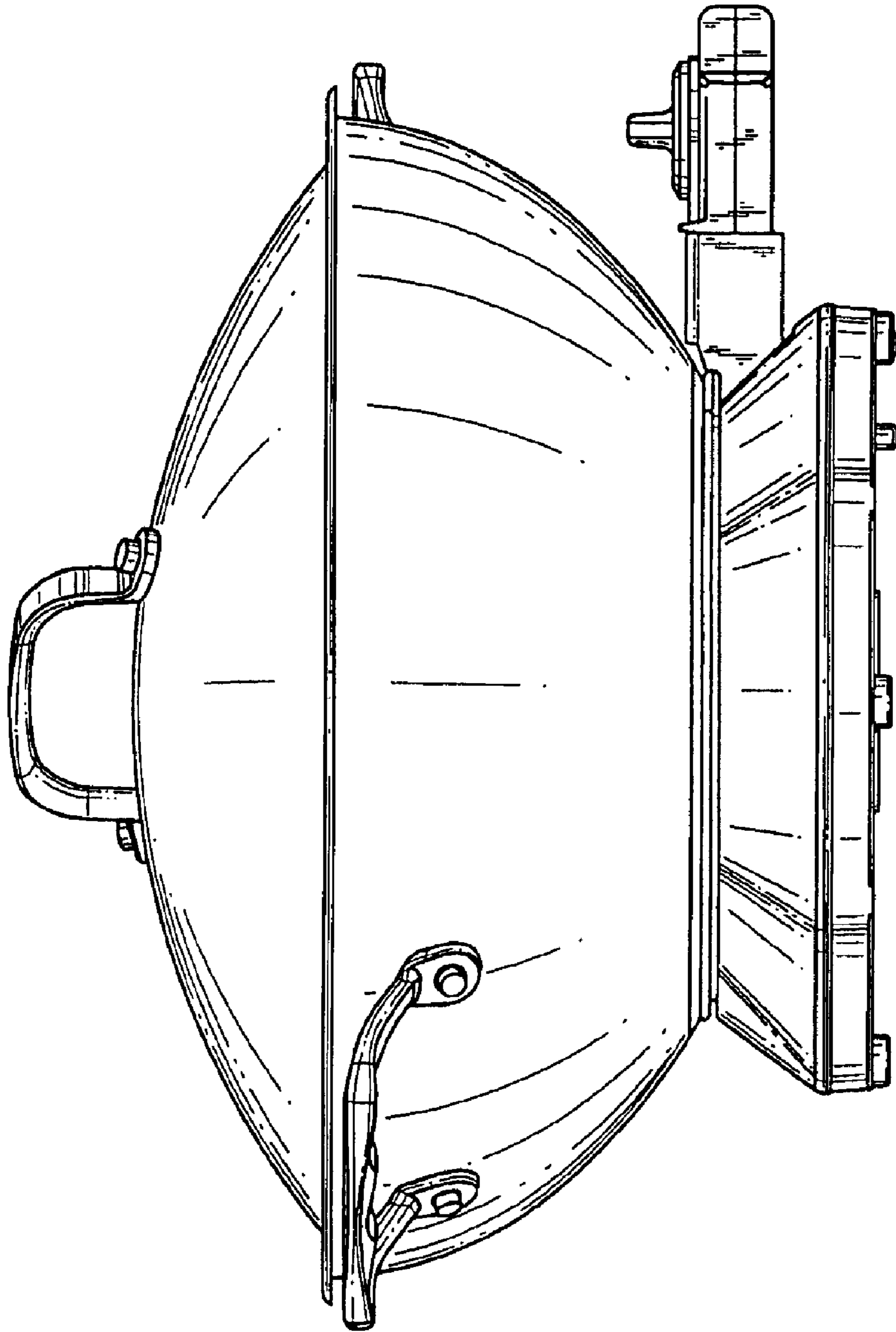


FIG. 3

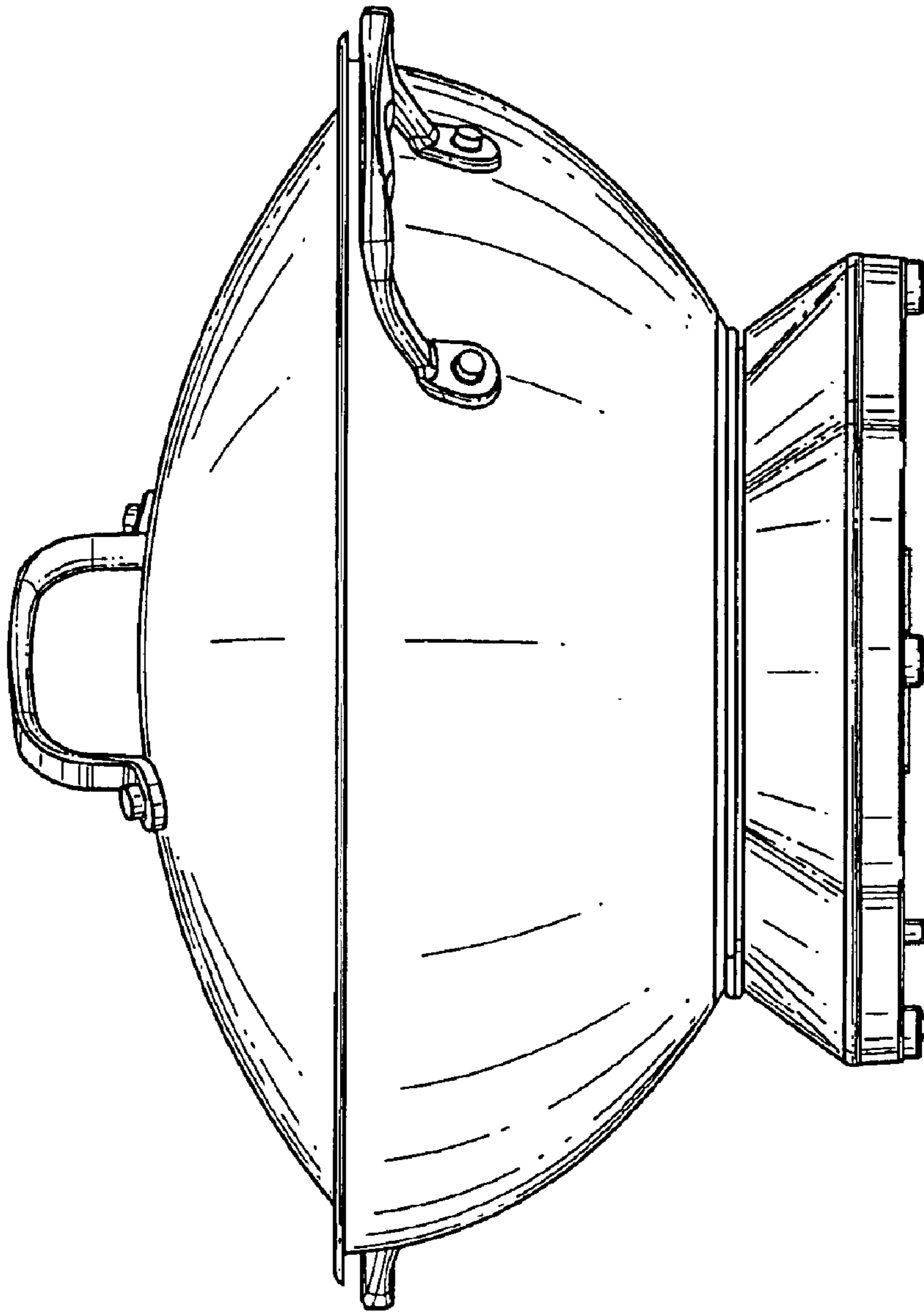


FIG. 4

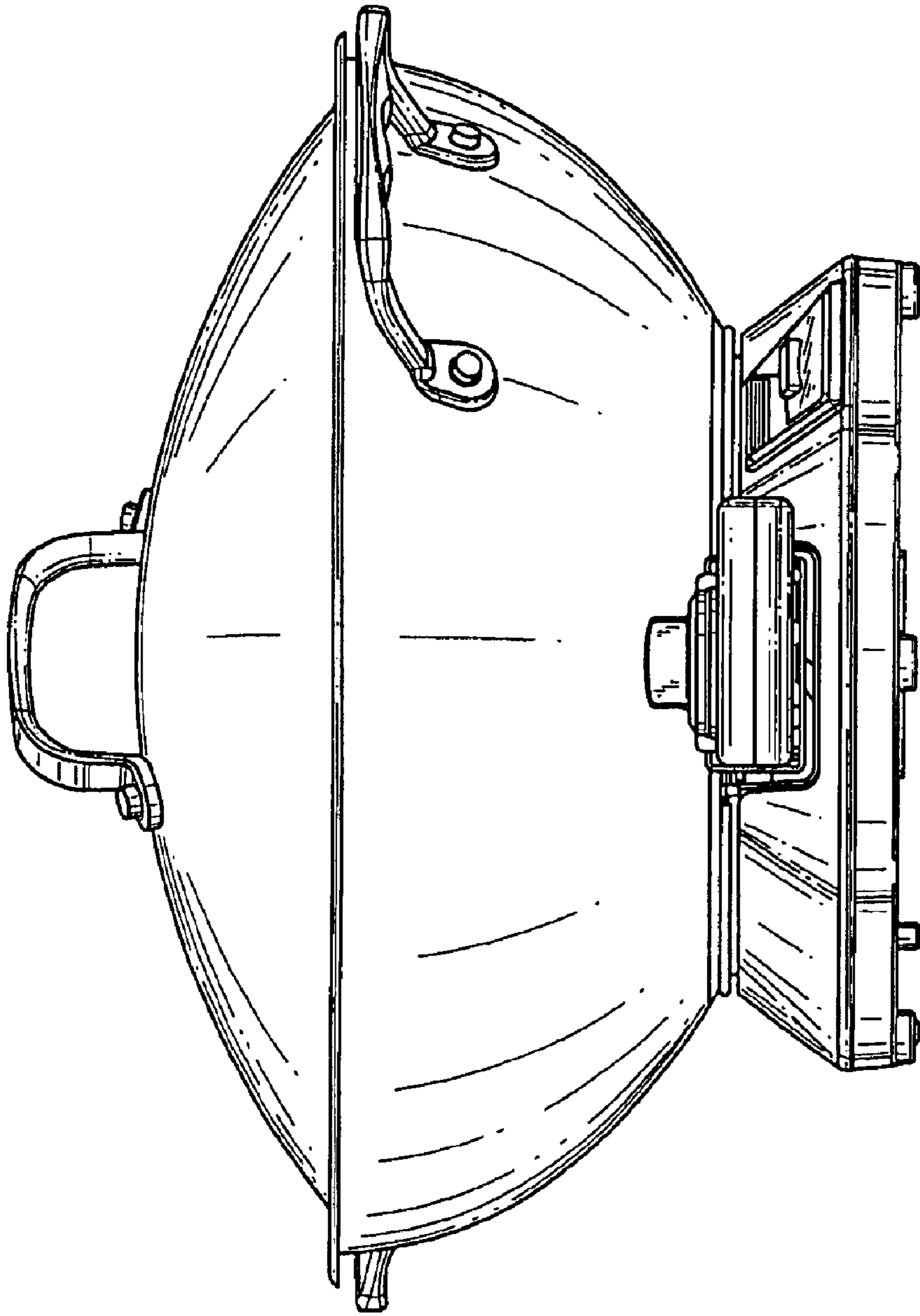


FIG. 5

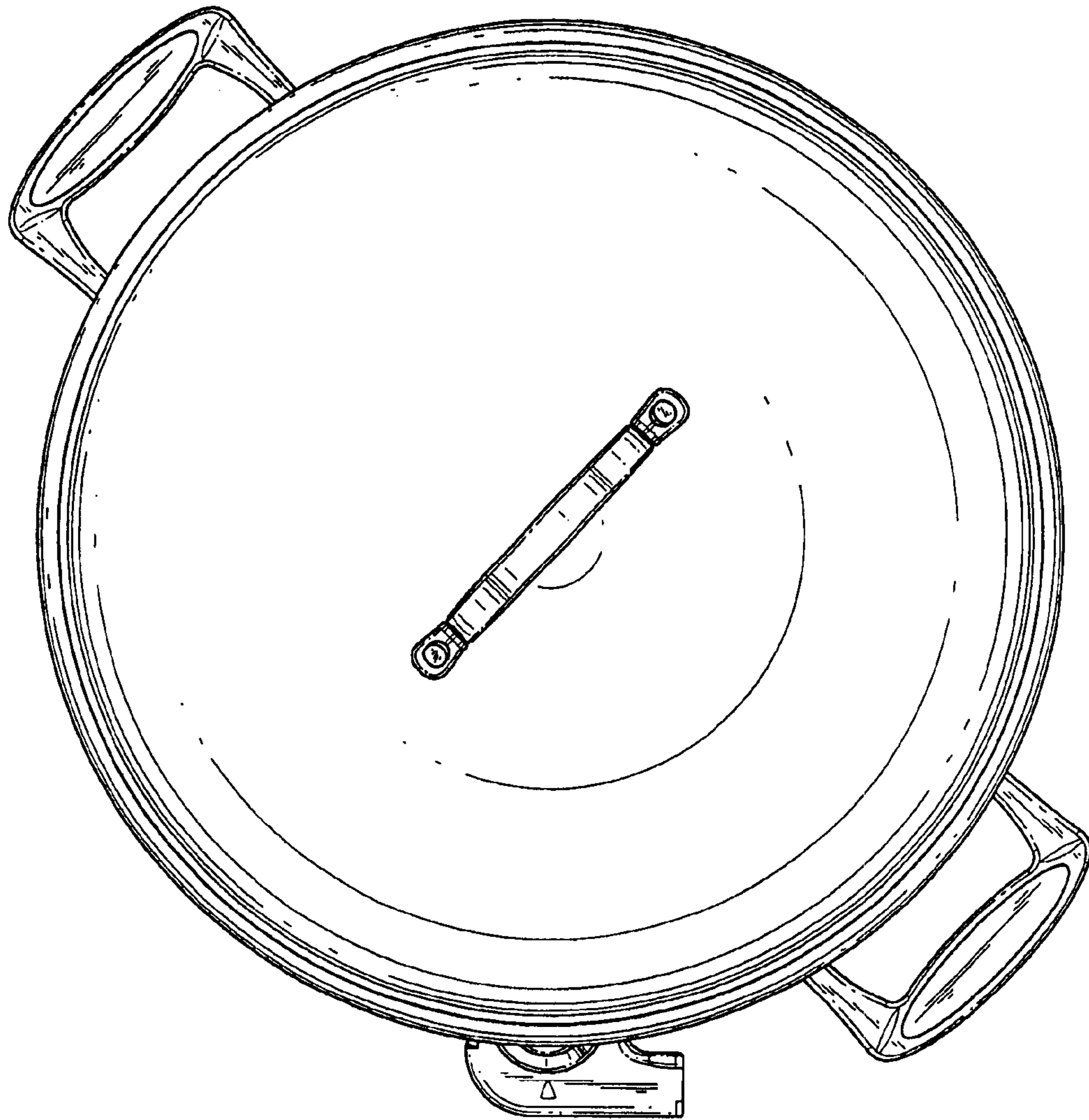


FIG. 6

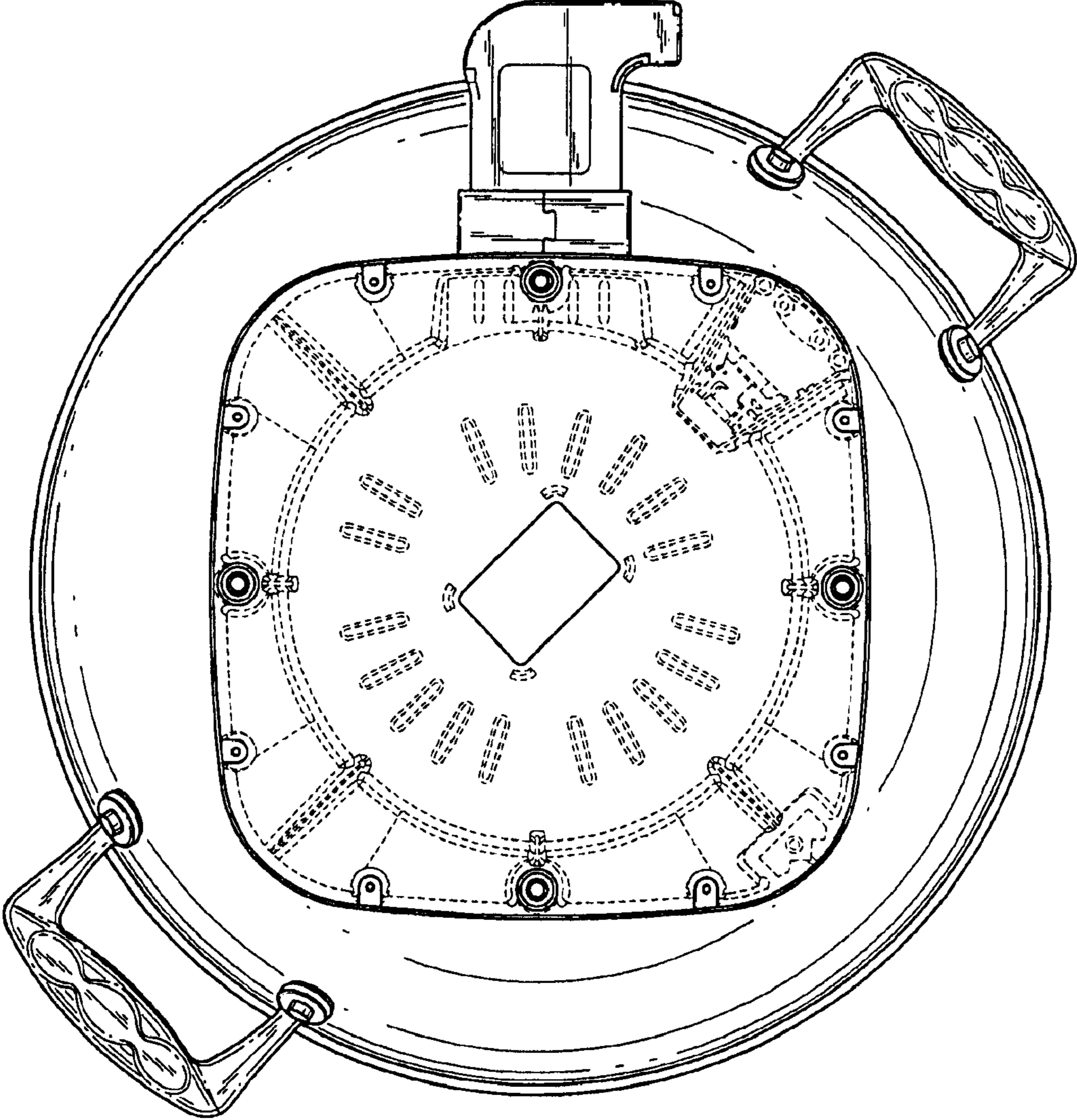


FIG. 7