



US00D525478S

(12) **United States Design Patent**
Averty

(10) **Patent No.:** **US D525,478 S**

(45) **Date of Patent:** **** Jul. 25, 2006**

(54) **FRYER**

(75) Inventor: **Lionel Averty**, Collonges-sous-Saleve (FR)

(73) Assignee: **SEB S.A.**, Selongey (FR)

(**) Term: **14 Years**

(21) Appl. No.: **29/196,685**

(22) Filed: **Jan. 5, 2004**

(30) **Foreign Application Priority Data**

Jul. 3, 2003 (FR) 03 3461

(51) **LOC (8) Cl.** **07-02**

(52) **U.S. Cl.** **D7/354**

(58) **Field of Classification Search** D7/361,
D7/354, 355, 360, 366, 367, 353, 326, 536,
D7/356, 400, 323, 357, 358, 359; 99/304,
99/306, 295, 324, 336, 341, 403; 220/526,
220/573.1

See application file for complete search history.

(56) **References Cited**

U.S. PATENT DOCUMENTS

D313,531 S * 1/1991 Barrault D7/360
D321,455 S * 11/1991 Duquaine et al. D7/361

D360,556 S * 7/1995 DeCoster D7/318
D369,505 S * 5/1996 Philippe D7/354
D386,646 S * 11/1997 Wurth D7/354
D458,507 S * 6/2002 Meelen D7/354
D465,125 S * 11/2002 Chedal Anglay D7/354

FOREIGN PATENT DOCUMENTS

GB 1059177 * 11/1988

* cited by examiner

Primary Examiner—Caron D. Veynar

Assistant Examiner—Ricky Pham

(74) *Attorney, Agent, or Firm*—Browdy and Neimark, PLLC

(57) **CLAIM**

The ornamental design for a fryer, as shown.

DESCRIPTION

FIG. 1 is a front elevational view of a fryer showing my new design;

FIG. 2 is a rear elevational view thereof;

FIG. 3 is a left side elevational view thereof;

FIG. 4 is a right side elevational view thereof;

FIG. 5 is a top plan view thereof;

FIG. 6 is a bottom plan view thereof; and,

FIG. 7 is a perspective view thereof.

1 Claim, 7 Drawing Sheets

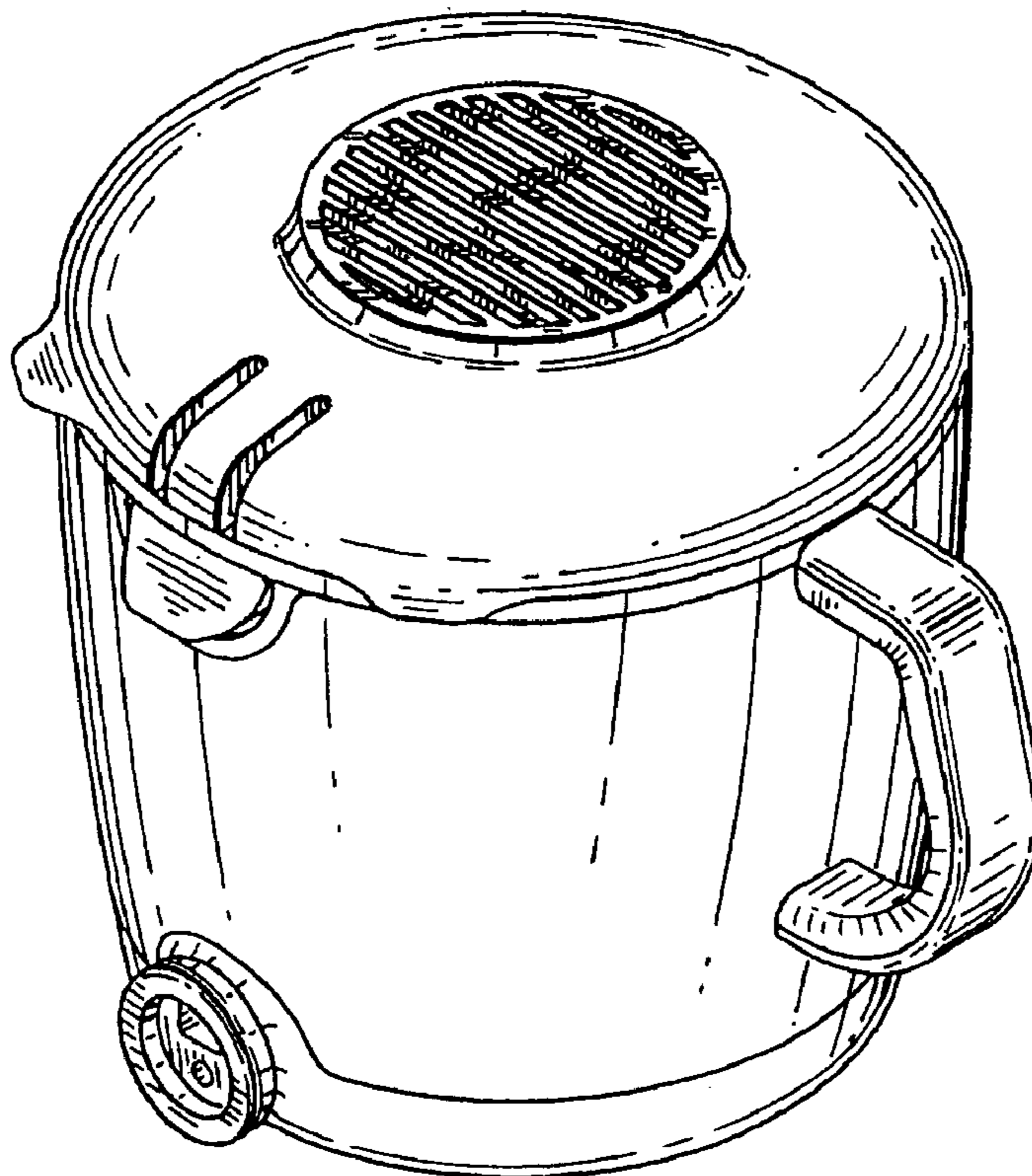


FIG. 1

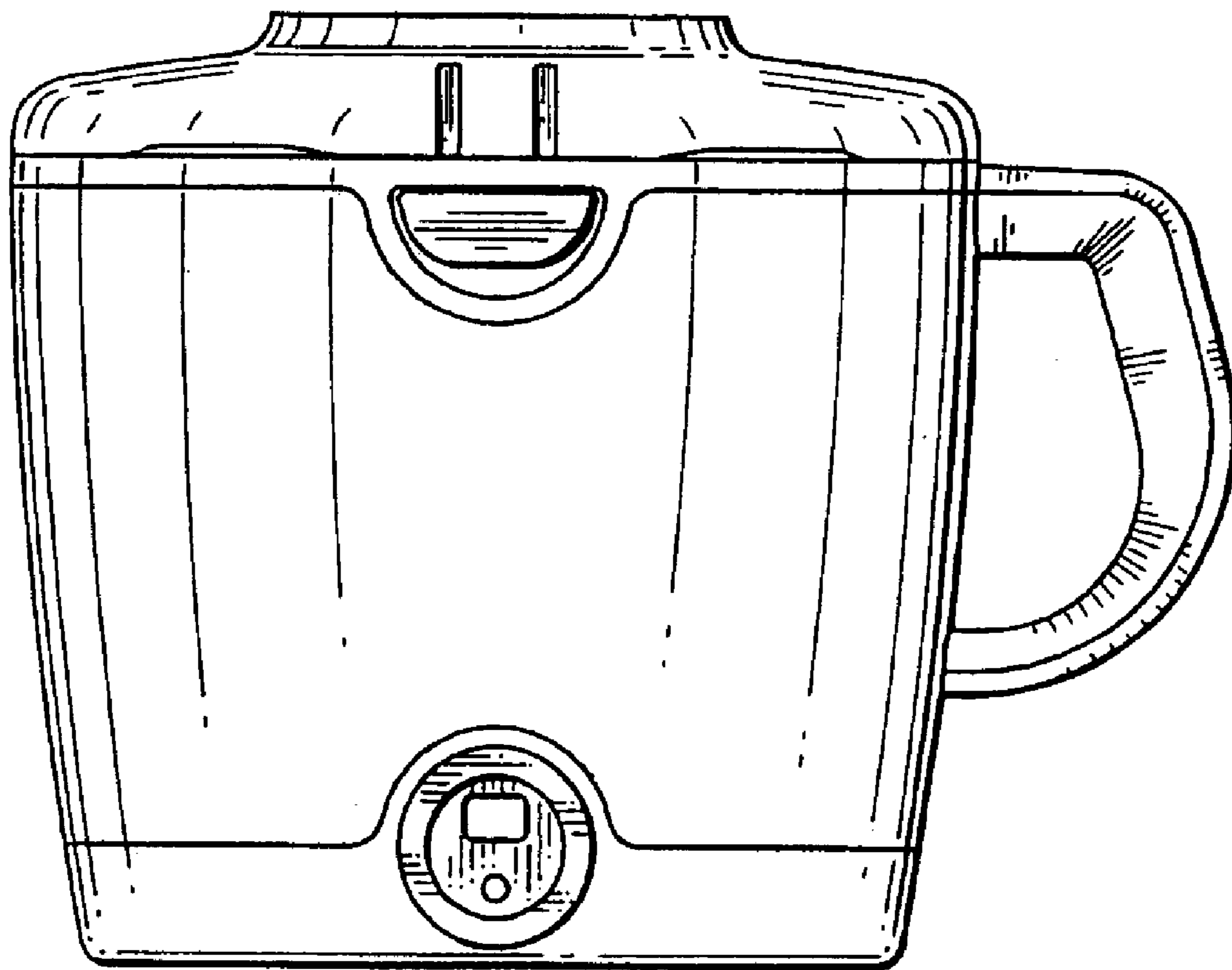


FIG. 2

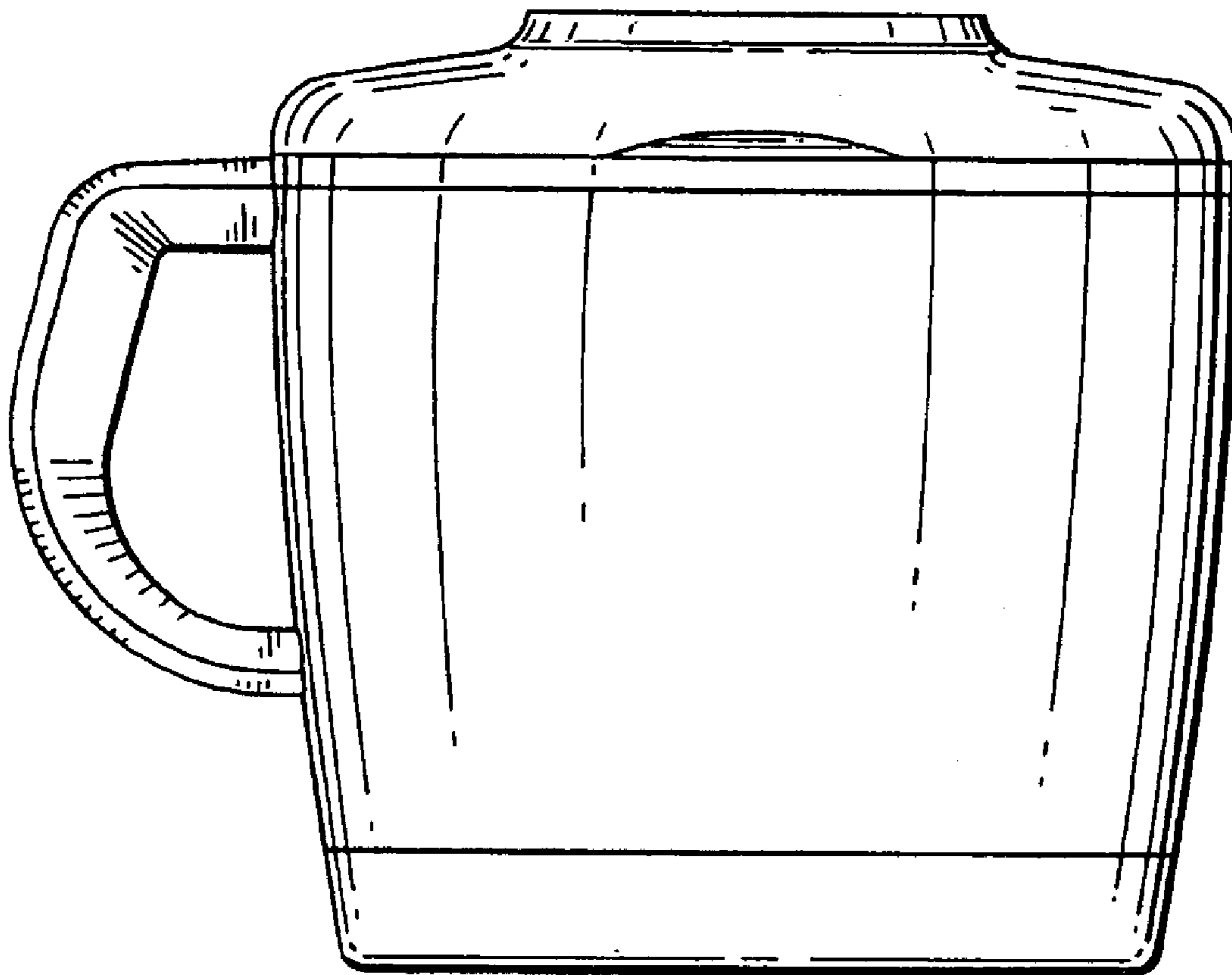


FIG. 3

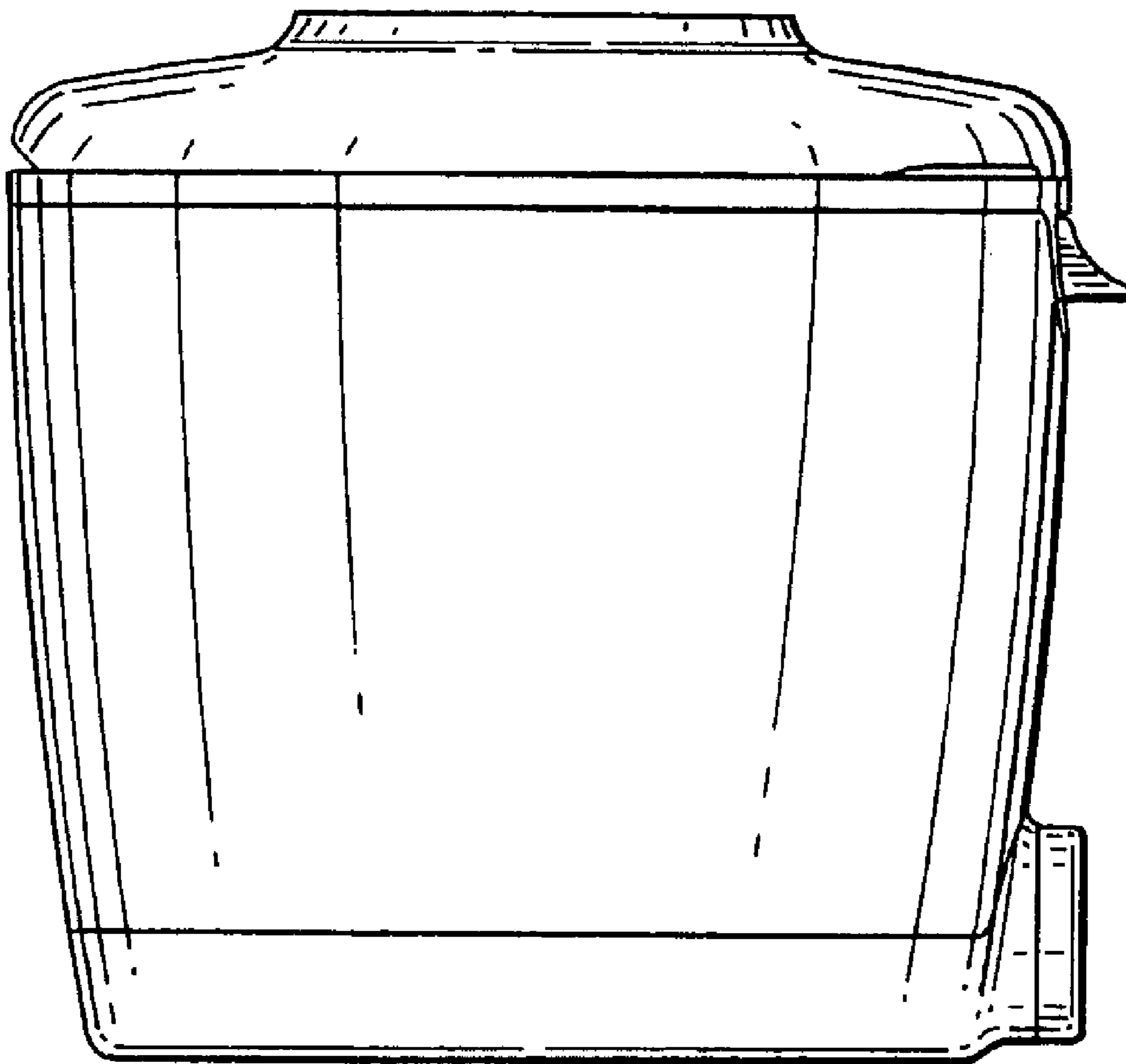


FIG. 4

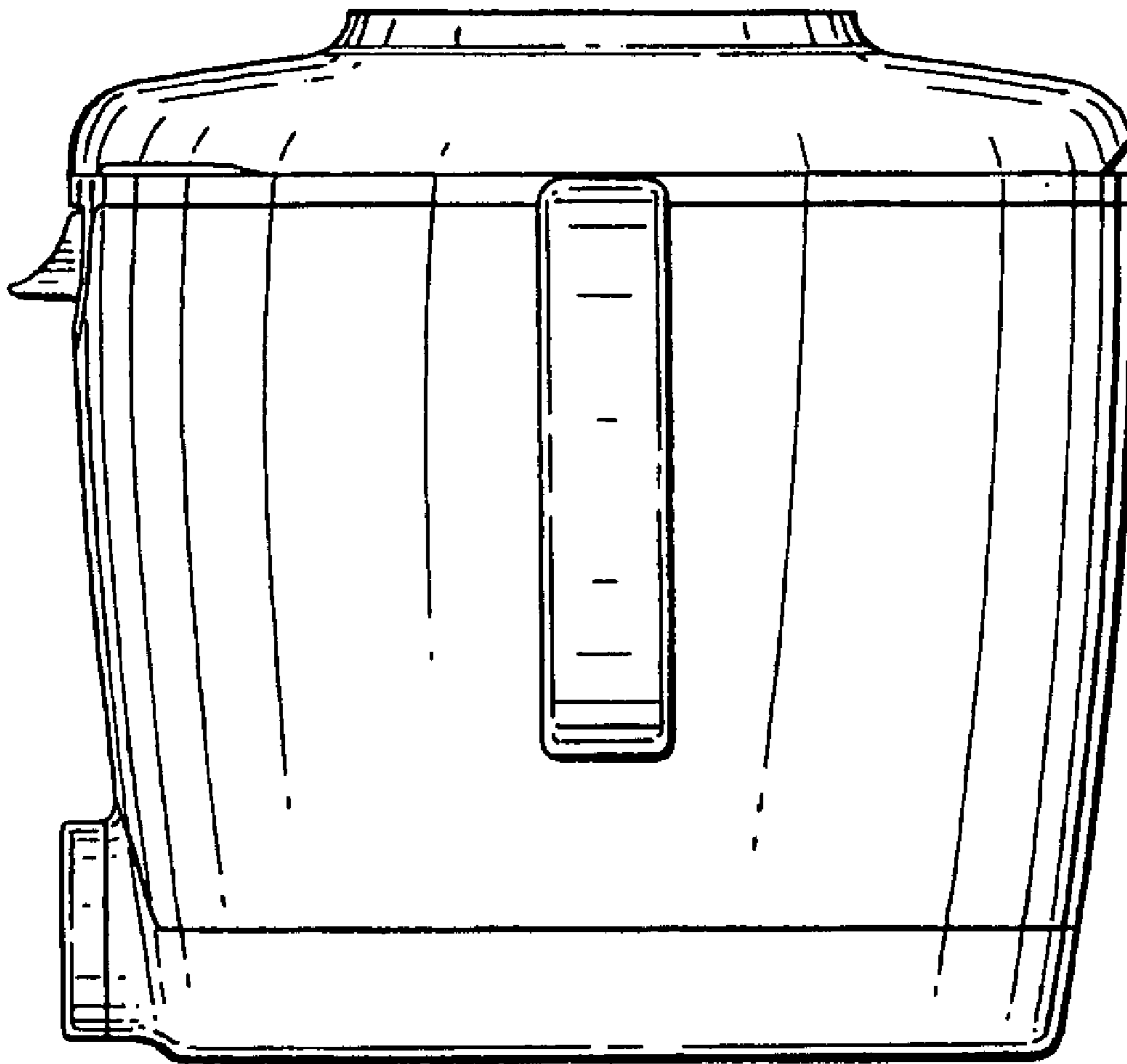


FIG. 5

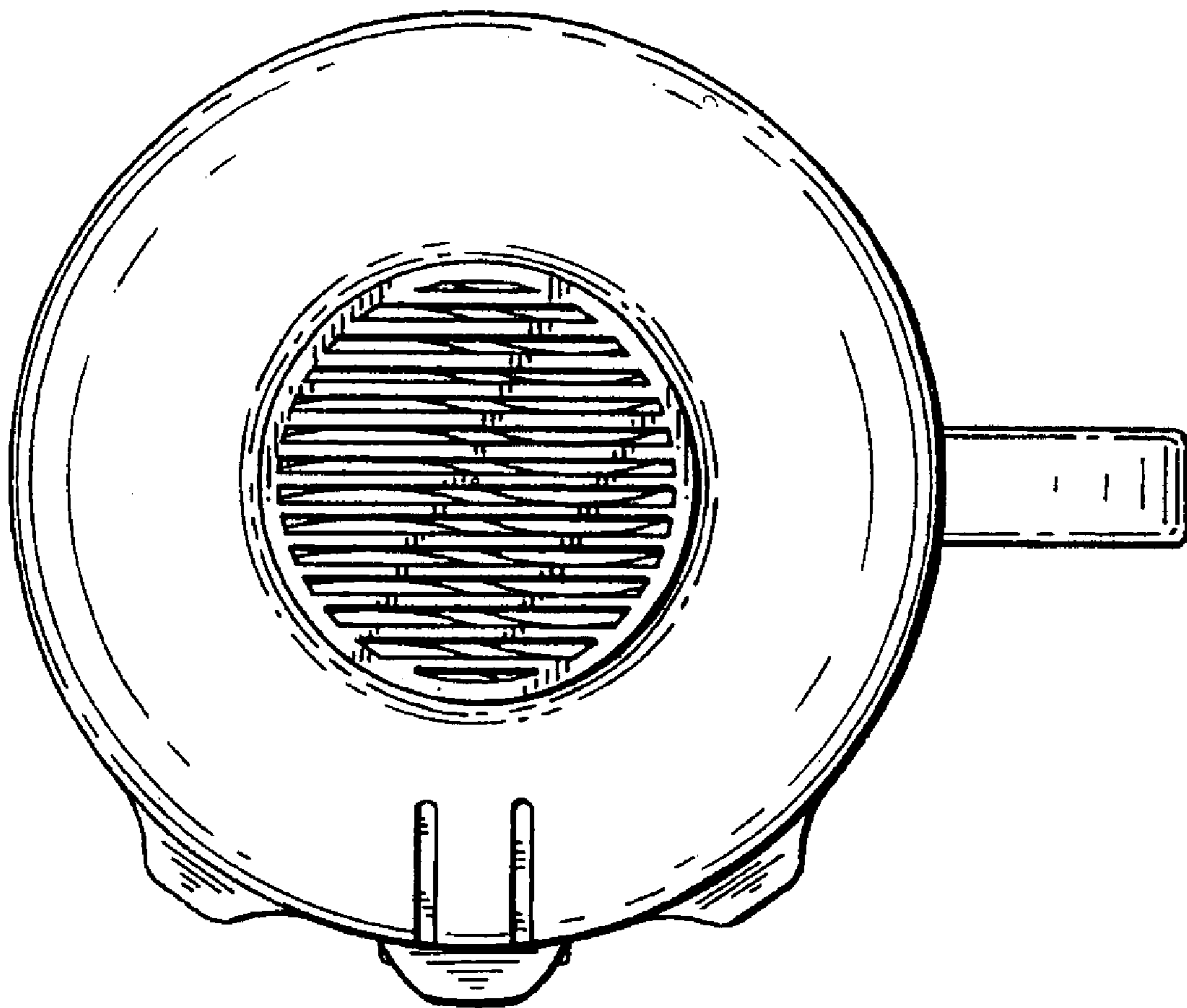


FIG. 6

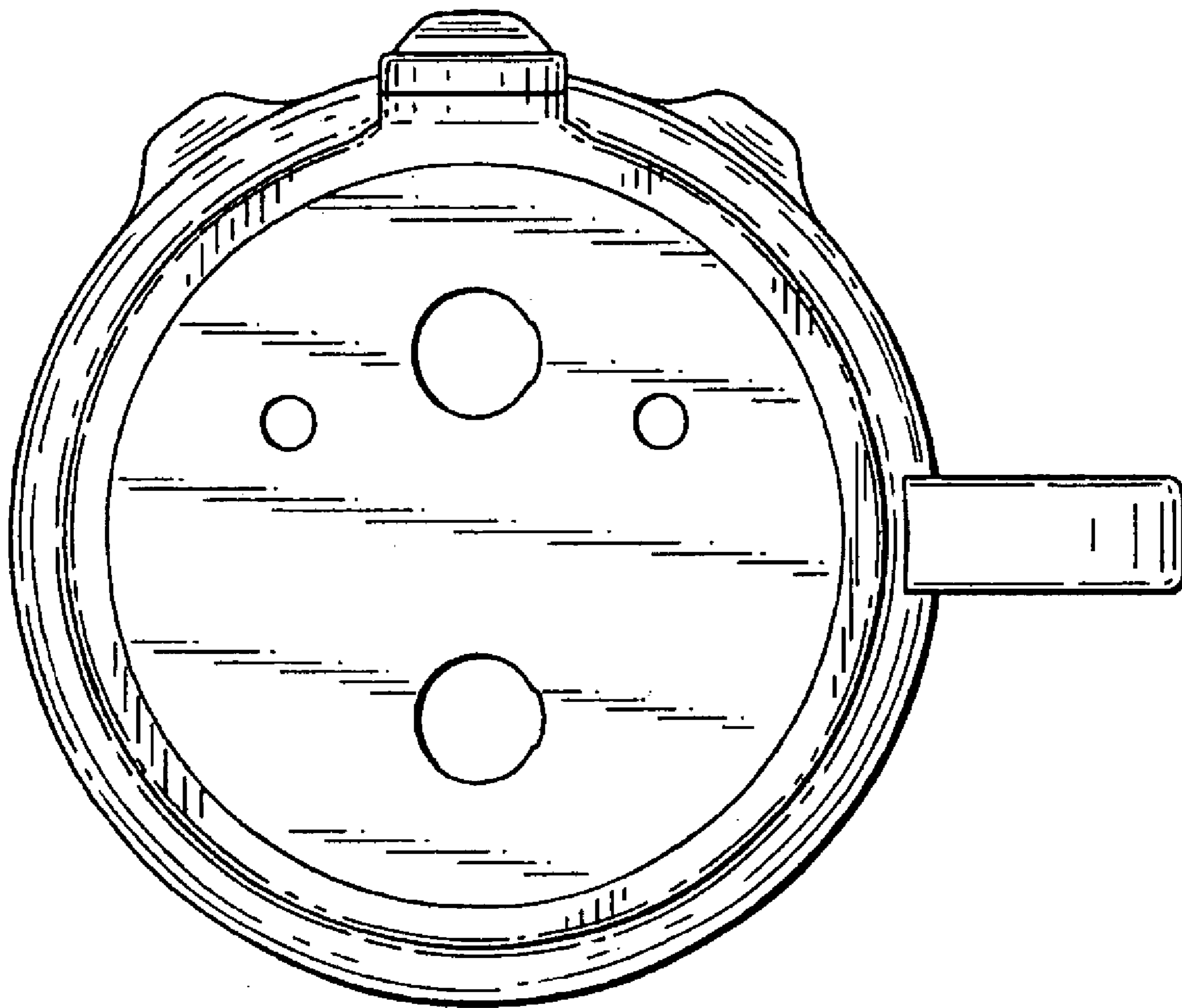


FIG. 7

