

US00D525474S

(12) **United States Design Patent**
Huang

(10) **Patent No.:** **US D525,474 S**

(45) **Date of Patent:** **** Jul. 25, 2006**

(54) **TOASTER**

(76) Inventor: **JiaLian Huang**, Room 2007, Gang Tai Plaza, No. 700 Yan An East Road, Shanghai (CN)

(**) Term: **14 Years**

(21) Appl. No.: **29/240,973**

(22) Filed: **Oct. 21, 2005**

(51) **LOC (8) Cl.** **07-02**

(52) **U.S. Cl.** **D7/330**

(58) **Field of Classification Search** D7/323, D7/328-333, 385, 390, 340, 341, 346, 365, D7/367, 402, 405, 406, 407, 411; D13/158, D13/162, 162.1, 163; D21/525; 99/331, 332, 99/357, 375, 385; 219/214, 388, 405, 443.1, 219/450.1, 492

See application file for complete search history.

(56) **References Cited**

U.S. PATENT DOCUMENTS

2,309,640 A	*	1/1943	Gough	99/327
D193,599 S	*	9/1962	Frano	D7/330
D197,160 S	*	12/1963	Hardaker	D7/330

D307,999 S	*	5/1990	Kahlcke	D7/330
D314,686 S	*	2/1991	Hantz et al.	D7/329
D328,686 S	*	8/1992	Wolfe	D7/330
D345,074 S	*	3/1994	Myers et al.	D7/330
D347,546 S	*	6/1994	Pawlowicz	D7/330
D422,832 S	*	4/2000	Gaynor et al.	D7/330
6,205,910 B1	*	3/2001	Vaughn	99/326
D488,341 S	*	4/2004	Enriquez et al.	D7/330

* cited by examiner

Primary Examiner—Caron D. Veynar

Assistant Examiner—Ricky Pham

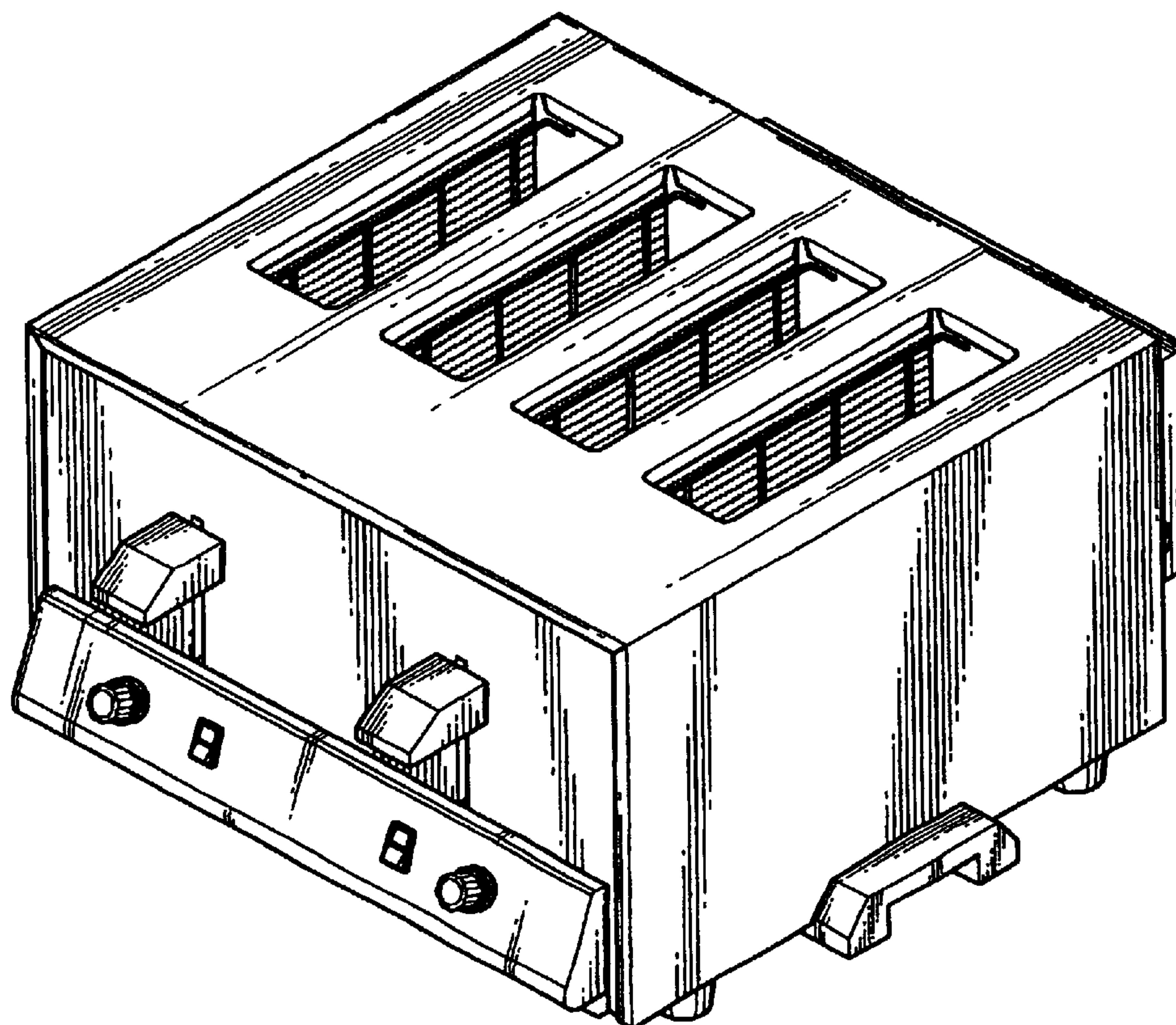
(57) **CLAIM**

The ornamental design for a toaster, as shown.

DESCRIPTION

FIG. 1 is a perspective view of a toaster showing my new design;
FIG. 2 is a front elevational view thereof;
FIG. 3 is a rear elevational view thereof;
FIG. 4 is a left side elevational view thereof;
FIG. 5 is a right side elevational view thereof;
FIG. 6 is a top plan view thereof; and,
FIG. 7 is a bottom plan view view.

1 Claim, 5 Drawing Sheets



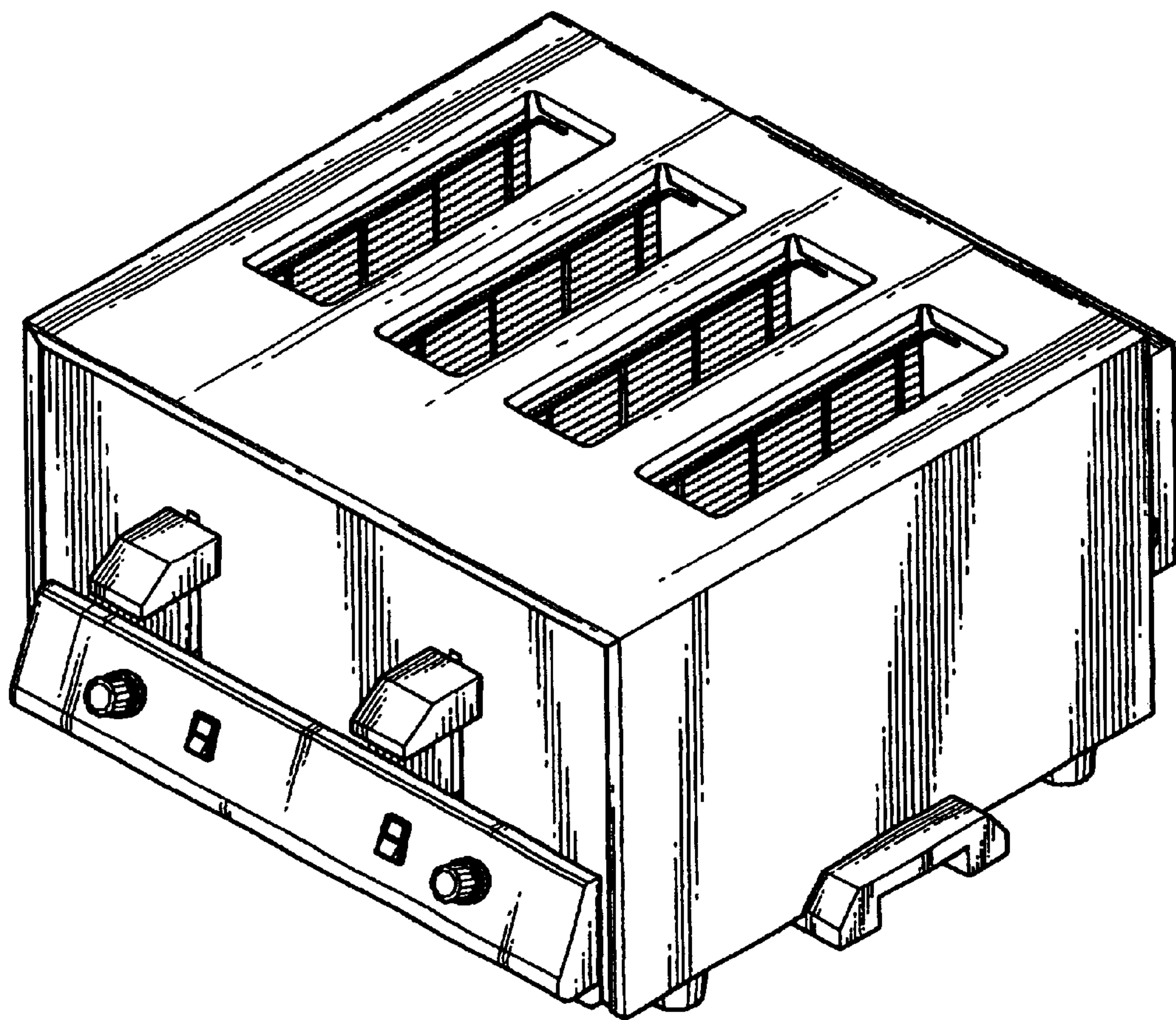


FIG. 1

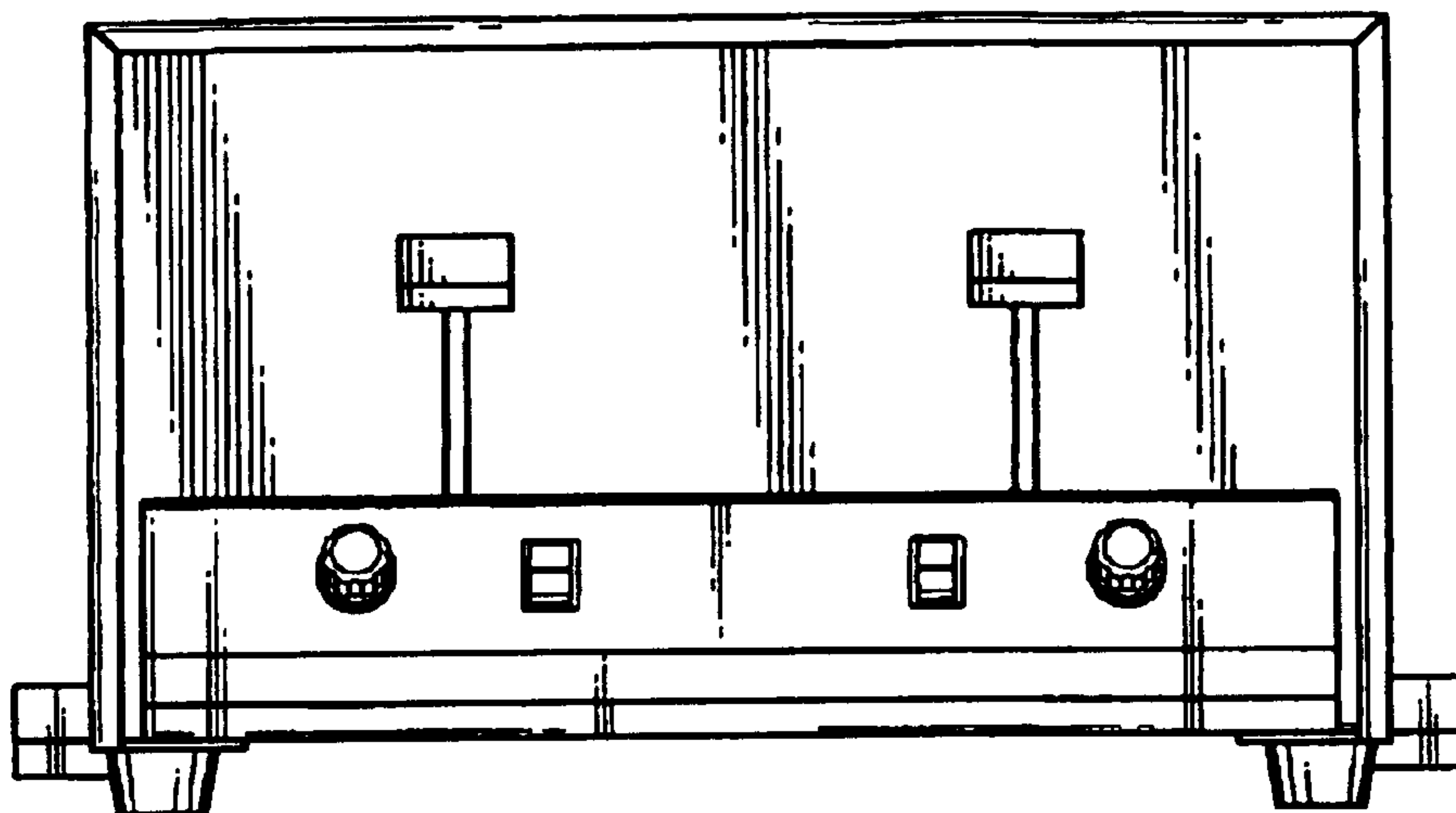


FIG. 2

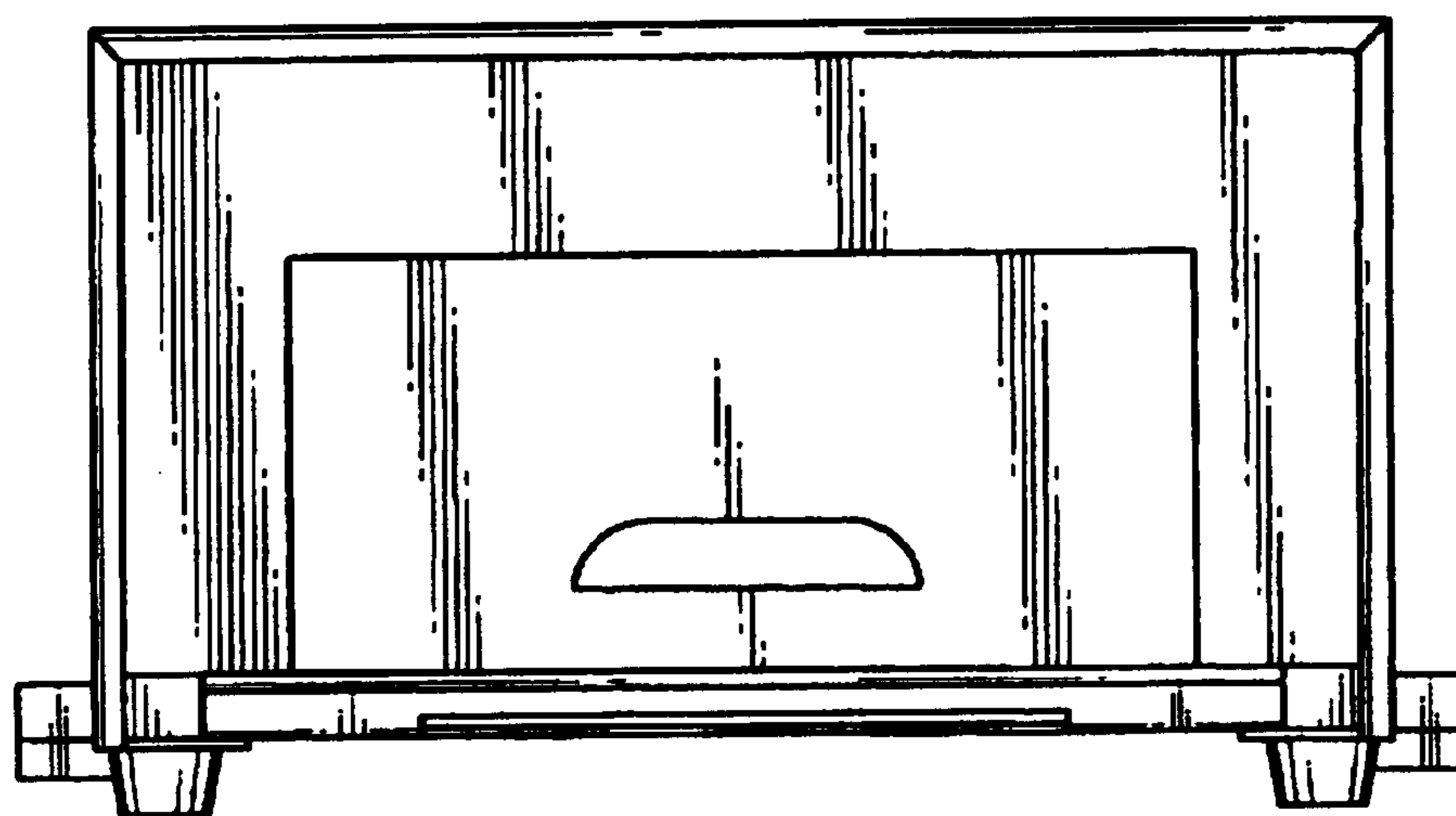


FIG. 3

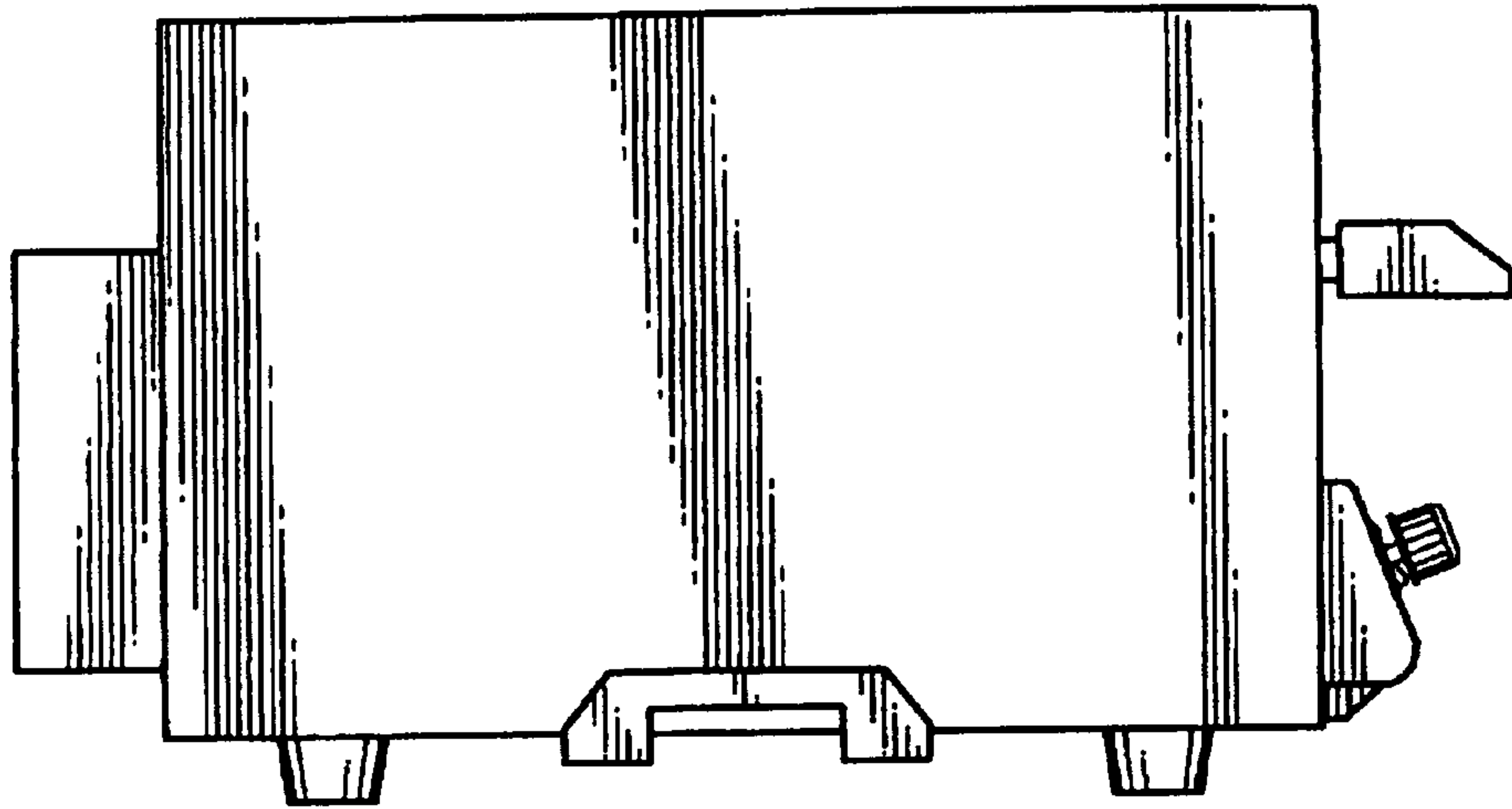


FIG. 4

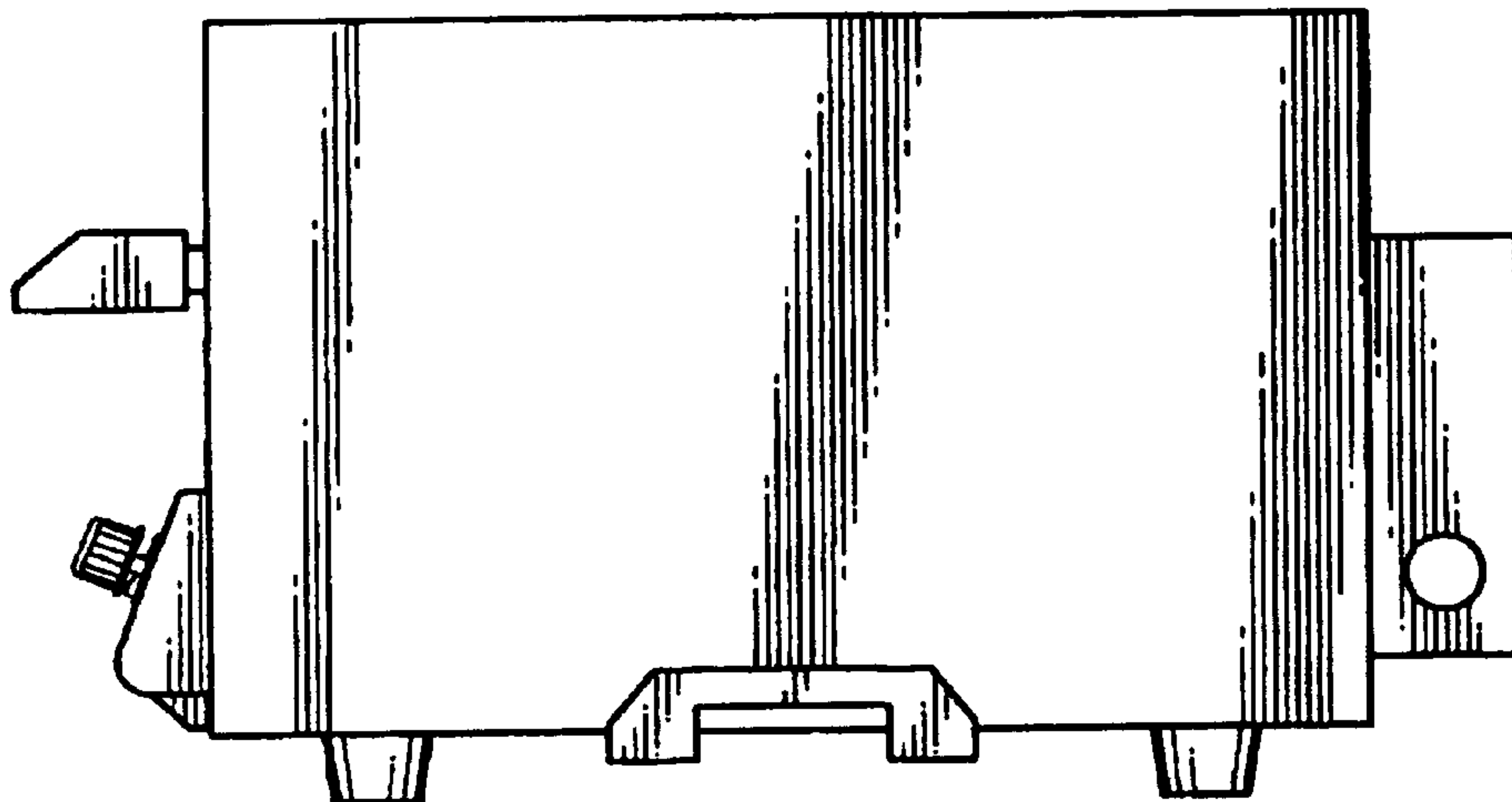


FIG. 5

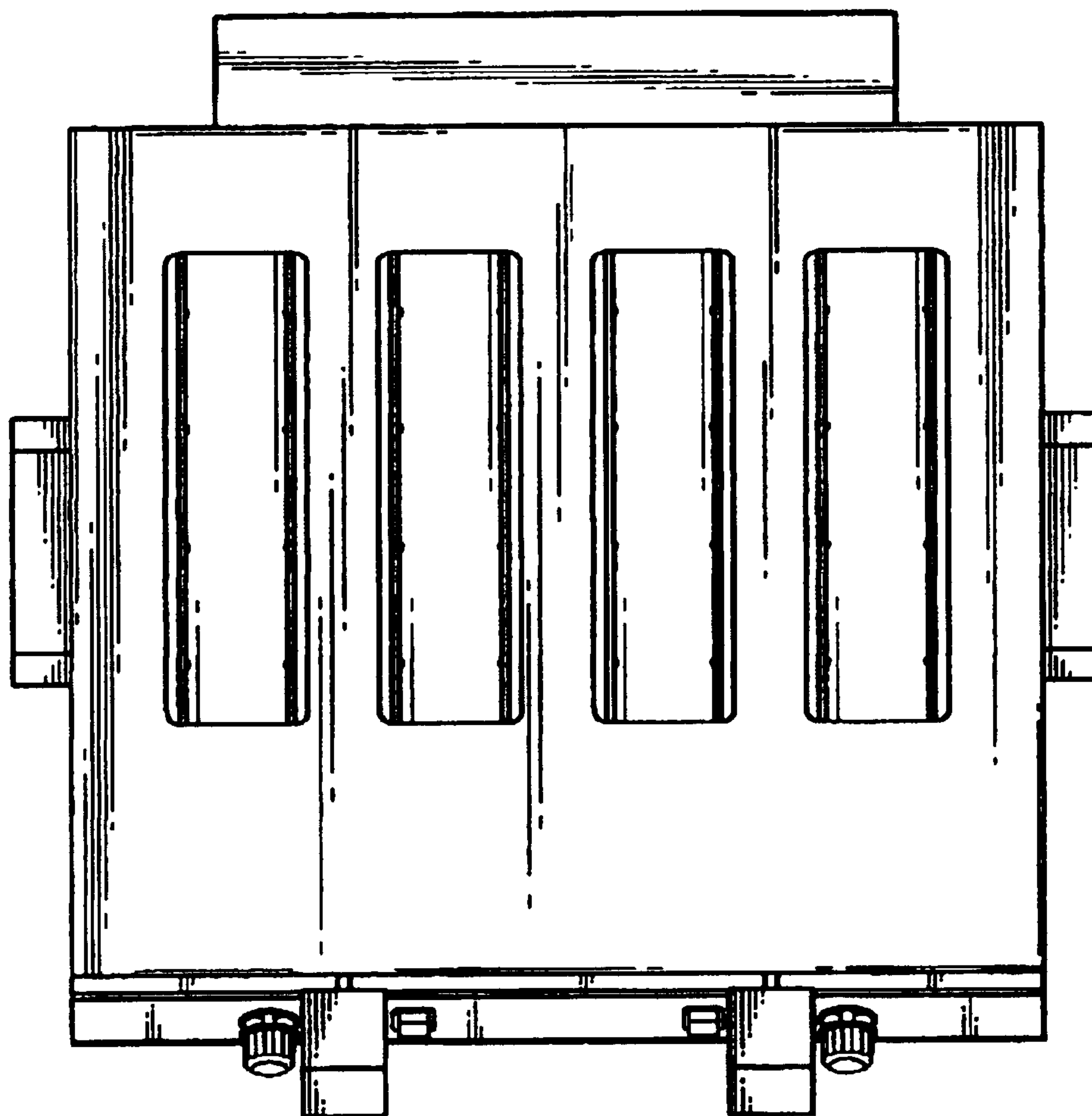


FIG. 6

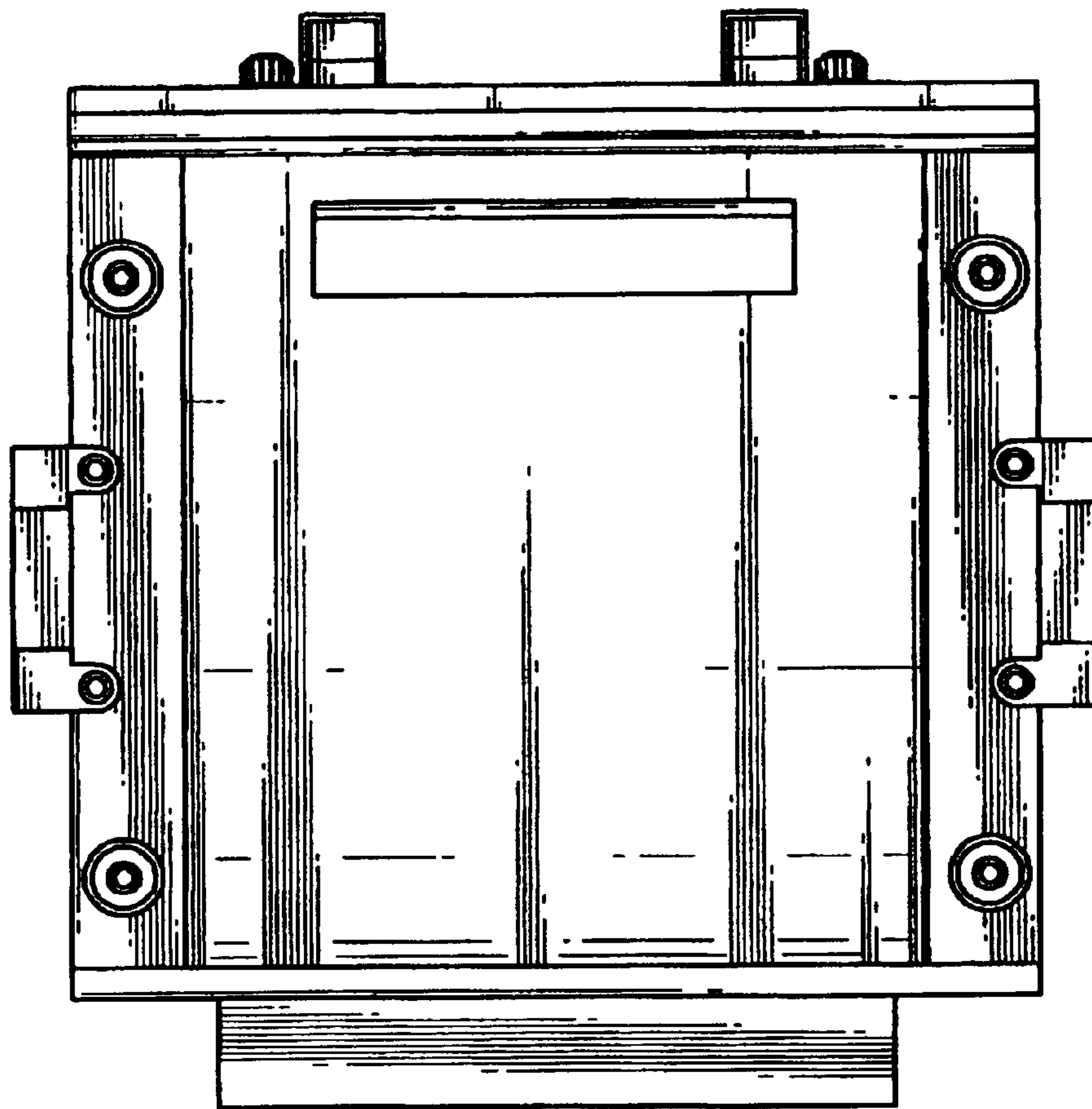


FIG. 7