



US00D525471S

(12) **United States Design Patent**  
**Measom**

(10) **Patent No.:** **US D525,471 S**

(45) **Date of Patent:** **\*\* Jul. 25, 2006**

(54) **HOLDER FOR COOKING POULTRY**

(75) Inventor: **S. Ty Measom**, Logan, UT (US)

(73) Assignee: **Logan Outdoor Products, LLC**,  
Logan, UT (US)

(\*\*) Term: **14 Years**

(21) Appl. No.: **29/229,060**

(22) Filed: **May 2, 2005**

(51) **LOC (8) Cl.** ..... **07-02**

(52) **U.S. Cl.** ..... **D7/323; D7/409**

(58) **Field of Classification Search** ..... D7/323,  
D7/354-361, 409, 547; 99/415, 440, 426,  
99/425, 419

See application file for complete search history.

(56) **References Cited**

**U.S. PATENT DOCUMENTS**

2,720,158	A	10/1955	Finizie	99/421	V
4,127,060	A	* 11/1978	Curtis	99/419	
5,069,117	A	* 12/1991	Schlessel	99/419	
D363,000	S	* 10/1995	Buff, IV	D7/409	
6,119,585	A	9/2000	Guidry	99/345	
6,125,739	A	10/2000	Jernigan	99/345	

6,192,792	B1	2/2001	Gremillion	99/426	
D461,682	S	* 8/2002	Fandrey	D7/409	
6,460,452	B1	10/2002	Hester	99/347	
6,467,399	B1	10/2002	Boutte	99/347	
6,502,501	B1	1/2003	Simon	99/345	
6,502,503	B1	1/2003	Bell, Jr. et al.	99/347	
6,779,438	B1	8/2004	Miller et al.	99/347	

\* cited by examiner

*Primary Examiner*—Catherine R. Oliver

(74) *Attorney, Agent, or Firm*—Harris Zimmerman

(57) **CLAIM**

The ornamental design for a holder for cooking poultry, as shown and described.

**DESCRIPTION**

FIG. 1 is a perspective view of a holder for cooking poultry showing my new design.

FIG. 2 is a front view thereof.

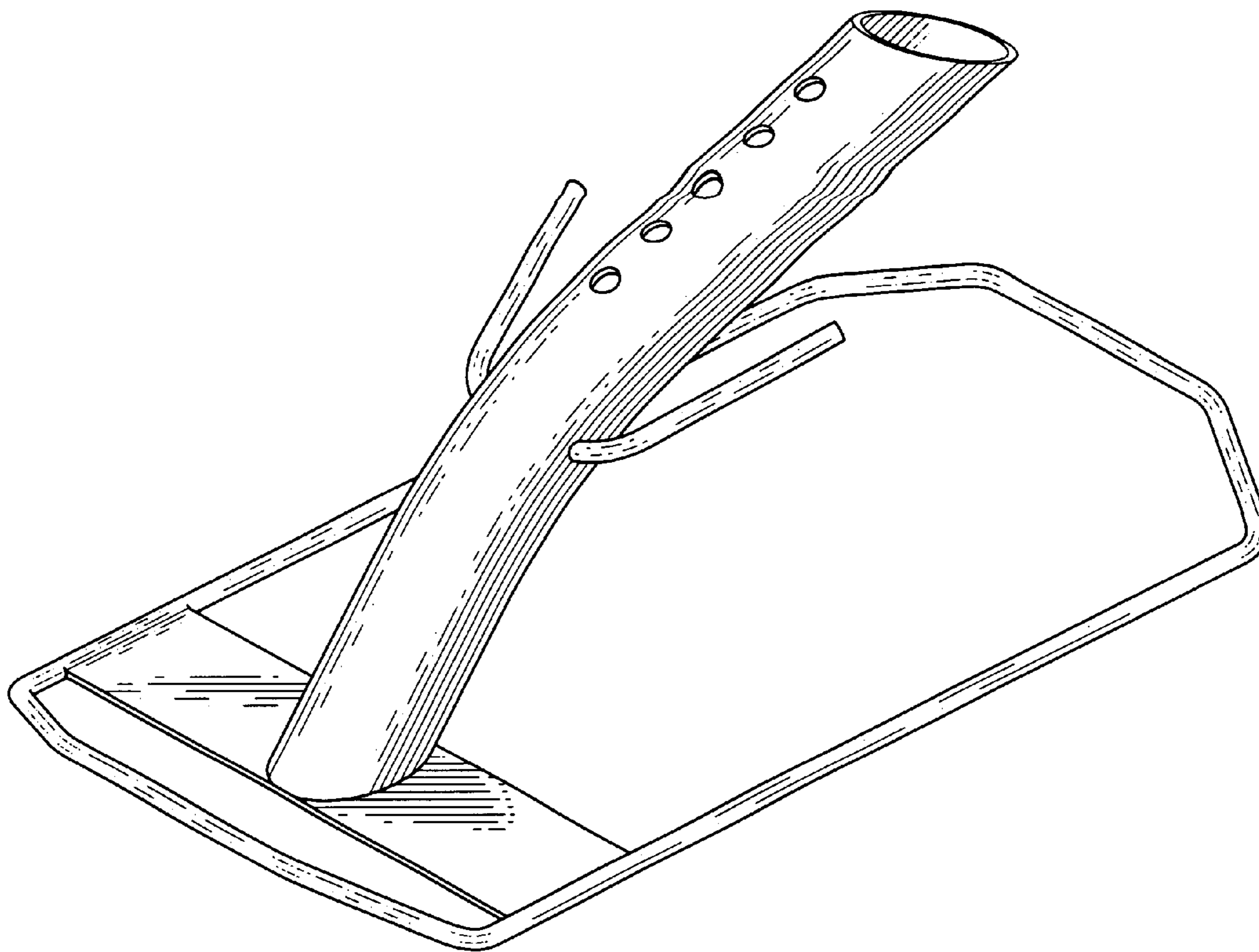
FIG. 3 is a top view.

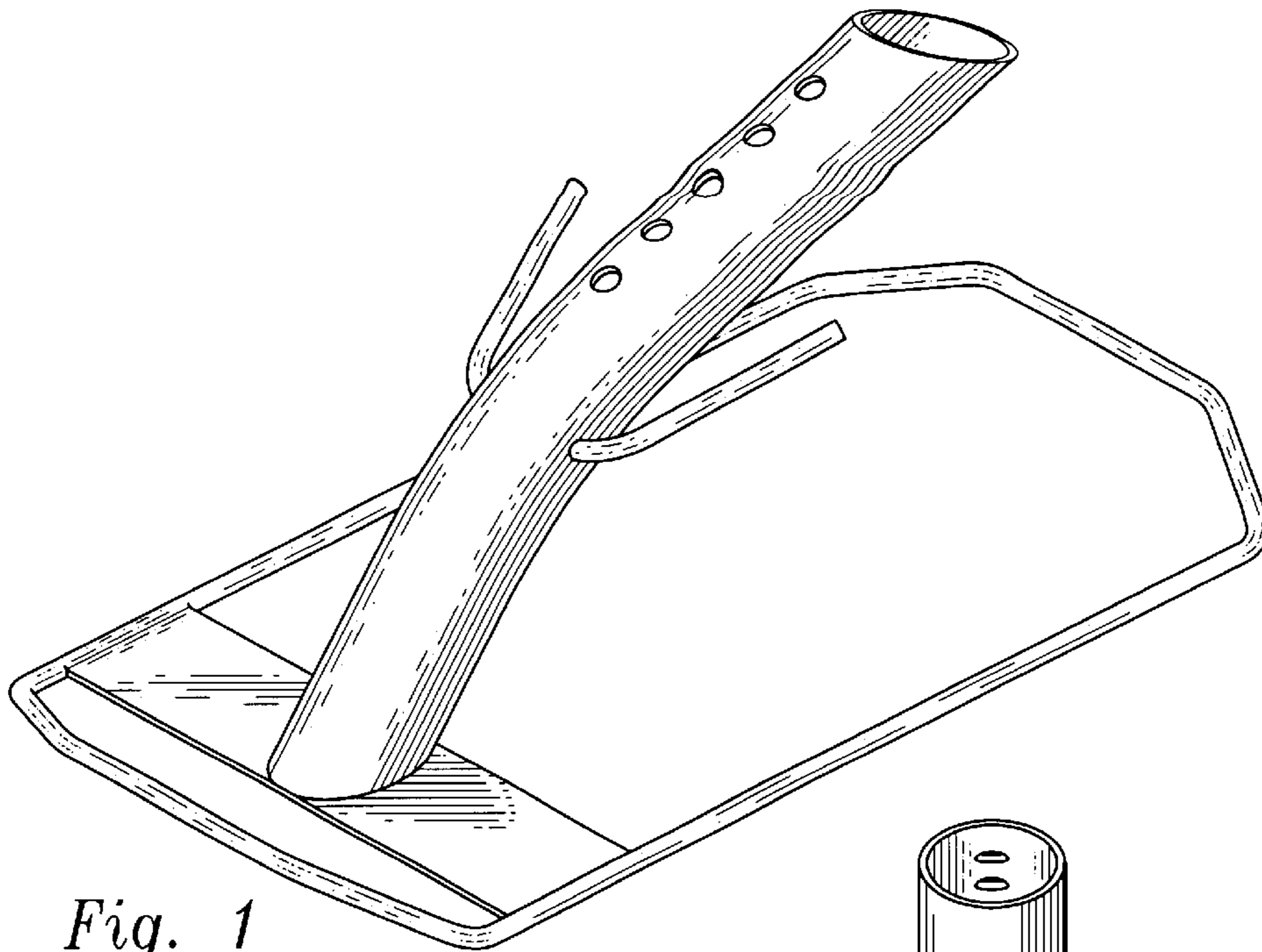
FIG. 4 is a left hand side view, the right hand side view being a mirror image thereof.

FIG. 5 is a rear view; and,

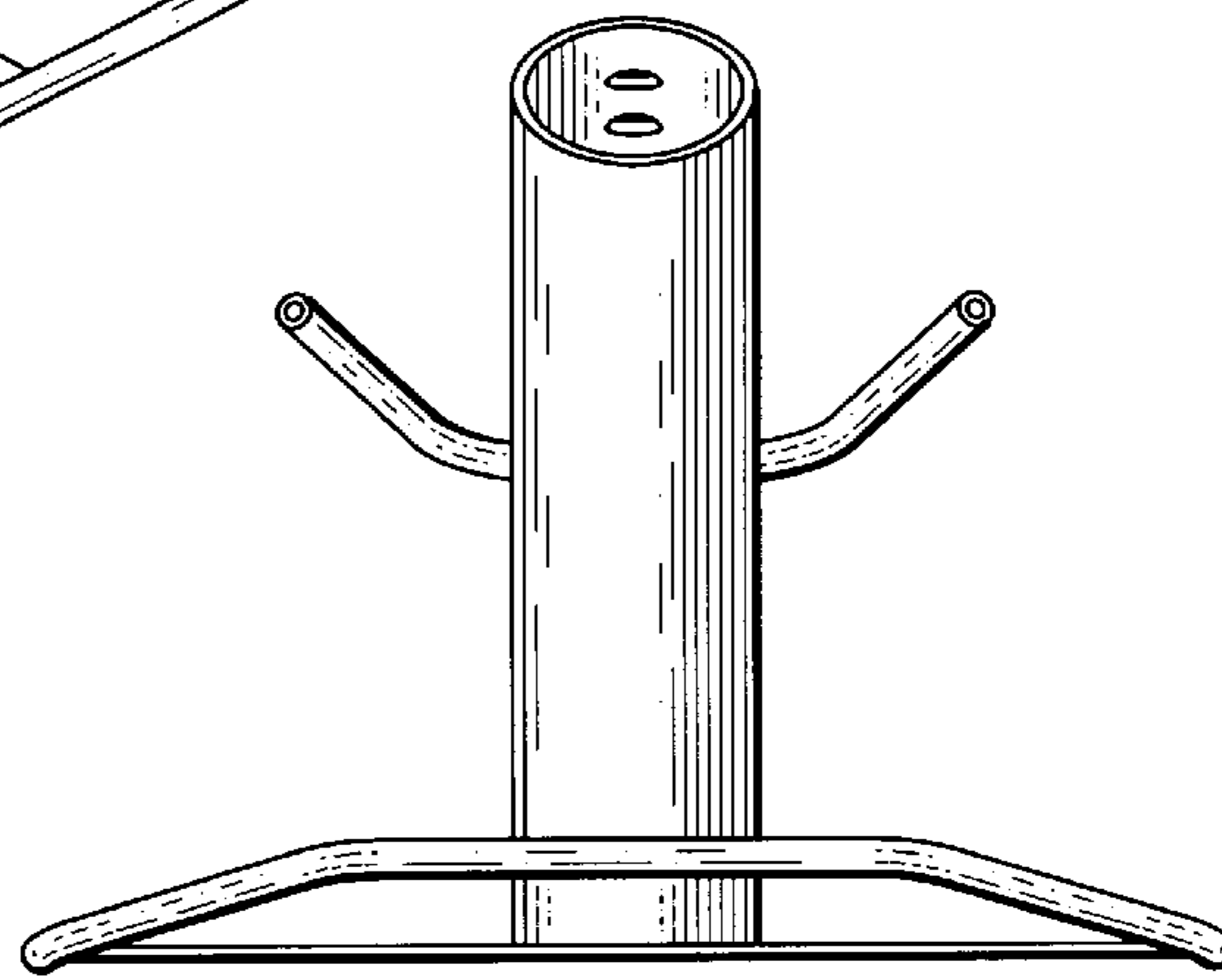
FIG. 6 is a bottom view.

**1 Claim, 2 Drawing Sheets**

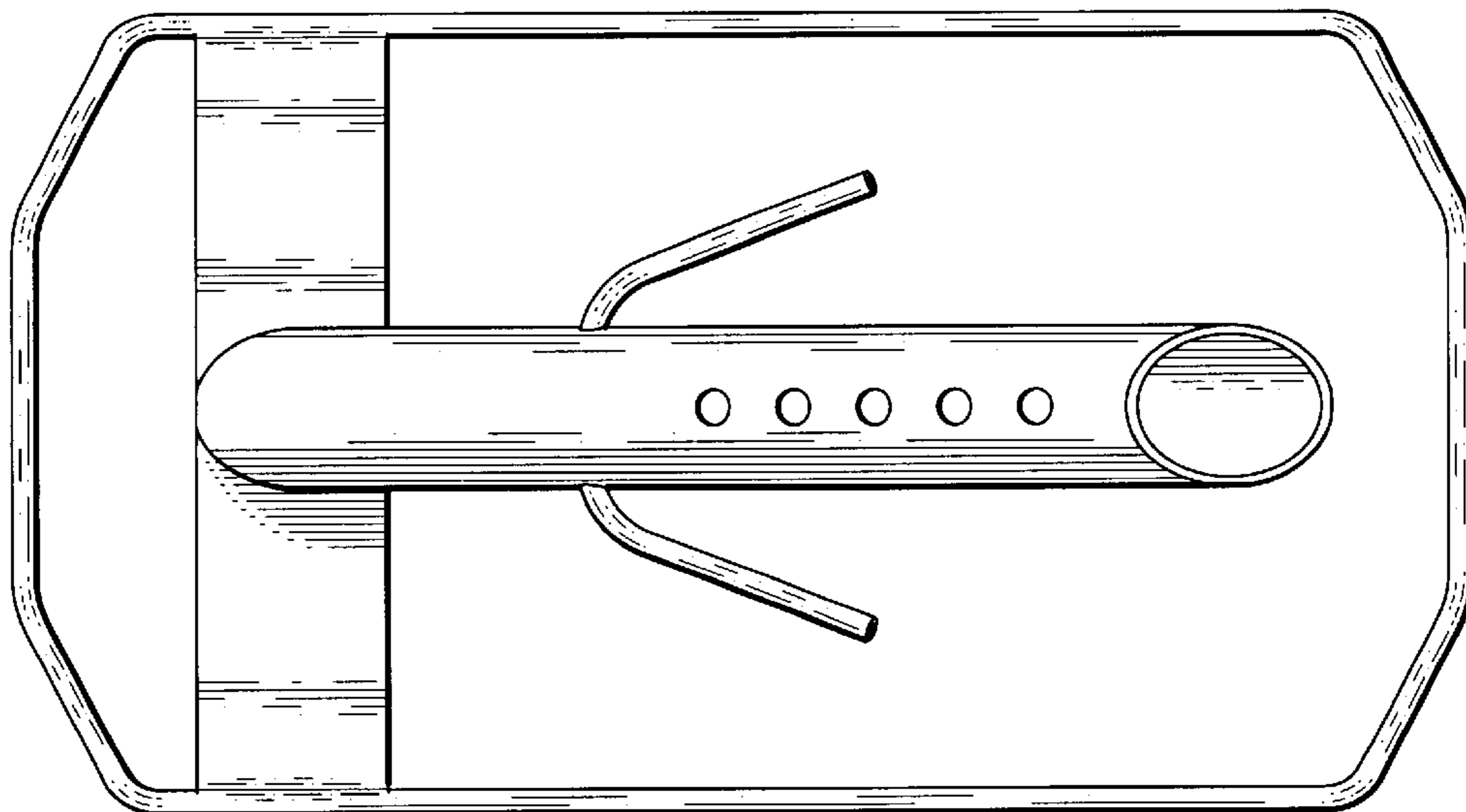




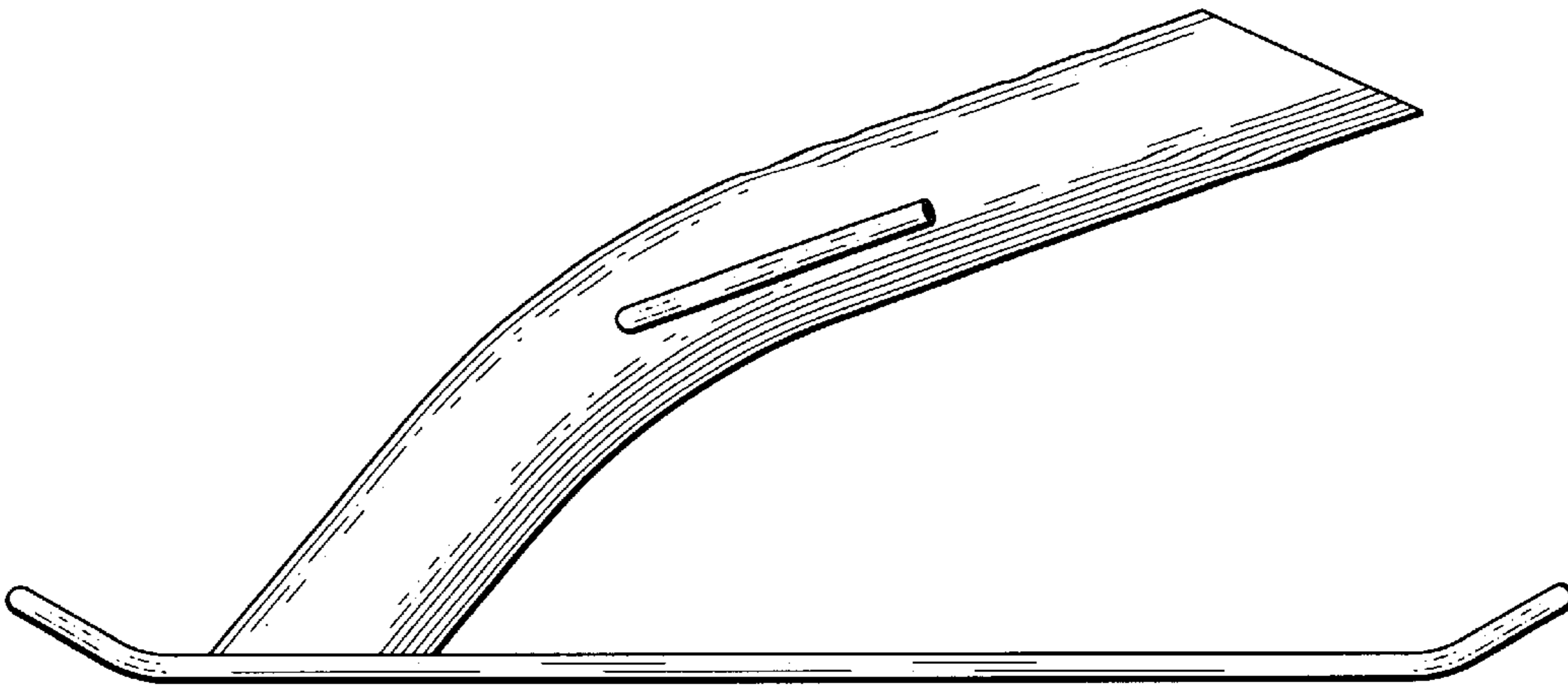
*Fig. 1*



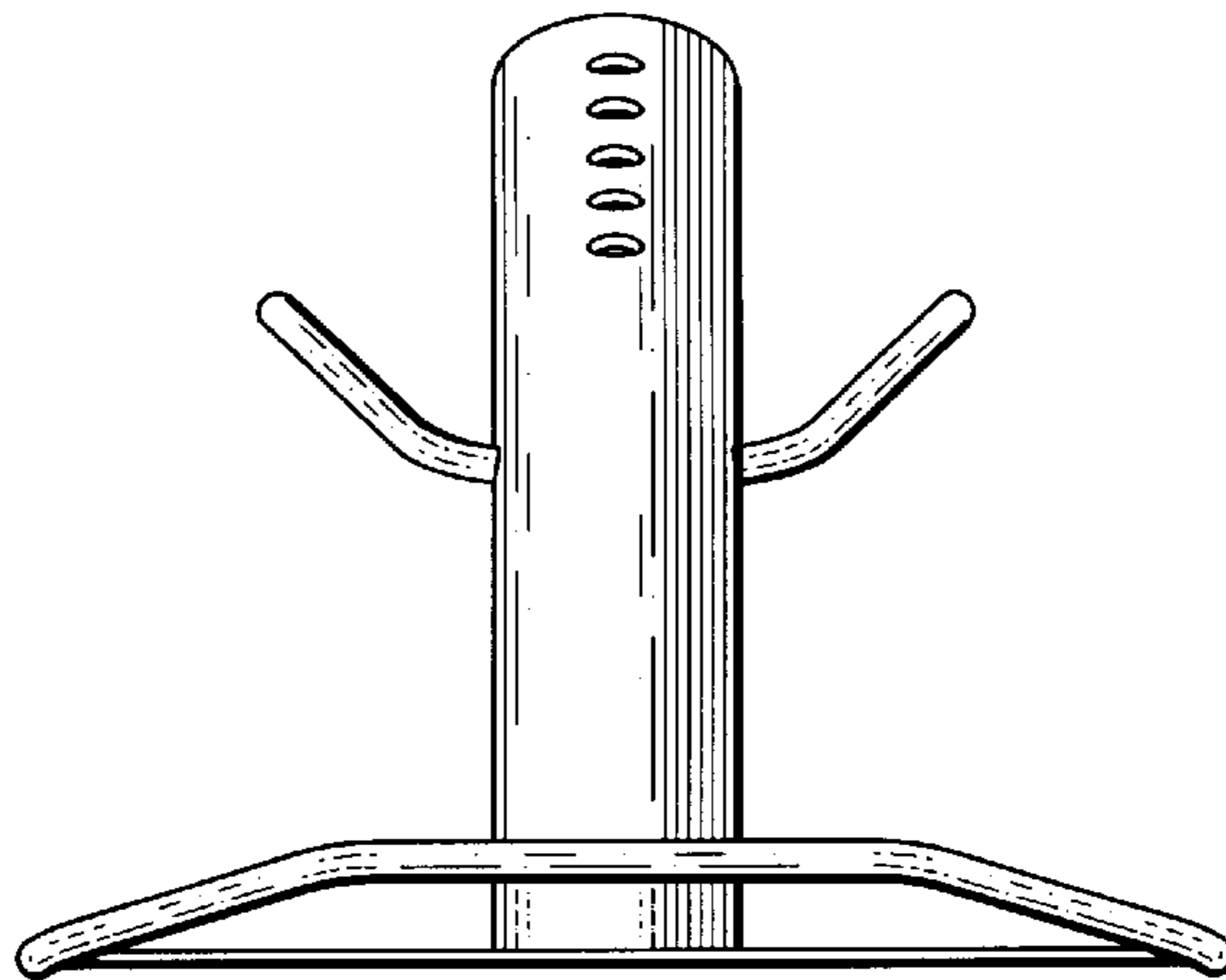
*Fig. 2*



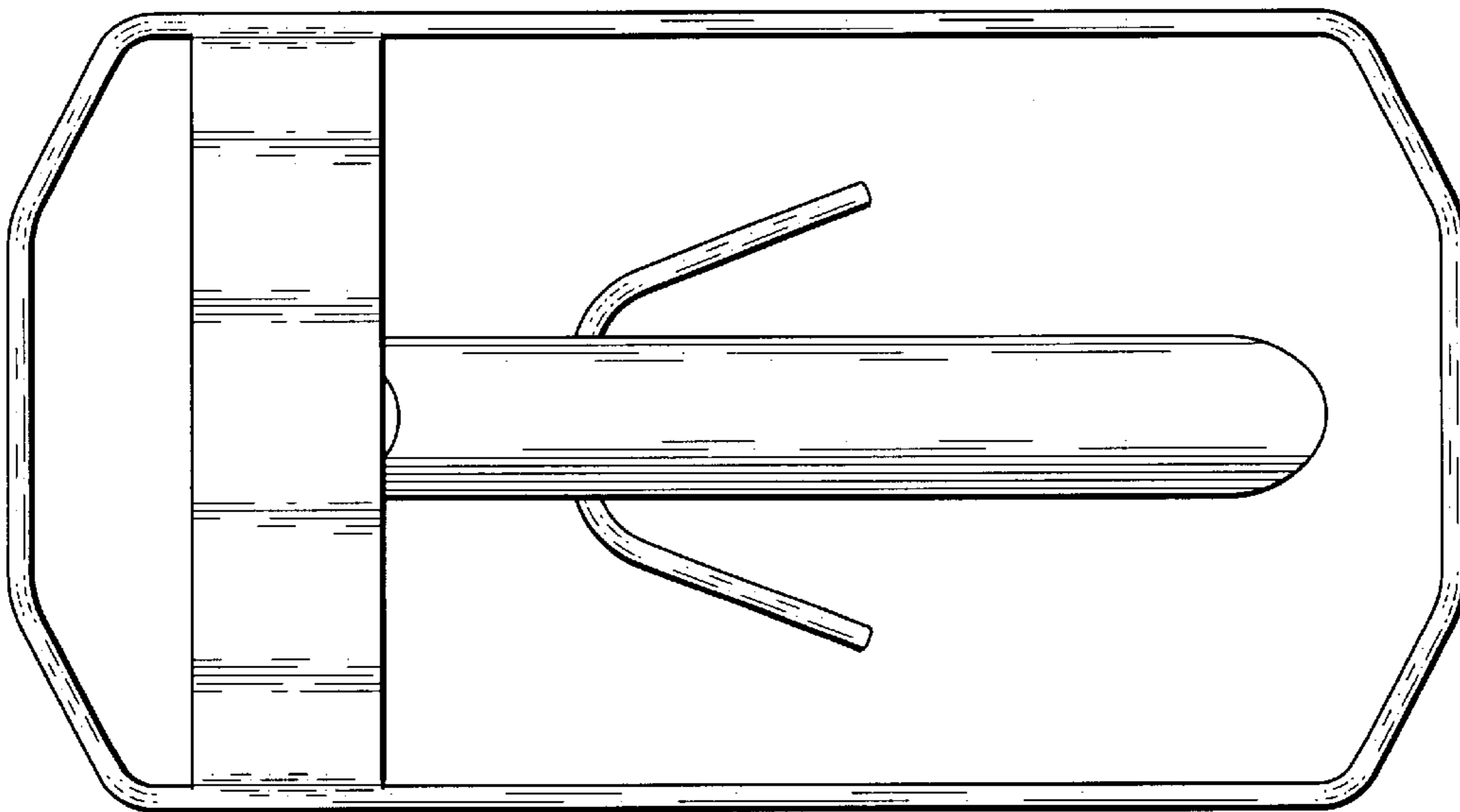
*Fig. 3*



*Fig. 4*



*Fig. 5*



*Fig. 6*