



US00D525469S

(12) **United States Design Patent**
Hansen

(10) **Patent No.:** **US D525,469 S**

(45) **Date of Patent:** **** *Jul. 25, 2006**

(54) **COFFEE MAKER**

(75) Inventor: **Anders Hansen**, Den Bosch (NL)

(73) Assignee: **Koninklijke Philips Electronics, N.V.**,
Eindhoven (NL)

(*) Notice: This patent is subject to a terminal disclaimer.

(**) Term: **14 Years**

(21) Appl. No.: **29/210,825**

(22) Filed: **Aug. 6, 2004**

(30) **Foreign Application Priority Data**

Feb. 17, 2004 (EM) 136239-0003

(51) **LOC (8) Cl.** **07-01**

(52) **U.S. Cl.** **D7/309; D7/306; D7/311**

(58) **Field of Classification Search** D7/300,
D7/306, 309, 311, 310, 312, 387, 313; 99/307,
99/282, 299, 305; D23/209; D15/82; 222/129.1-129.4
See application file for complete search history.

(56) **References Cited**

U.S. PATENT DOCUMENTS

- 3,453,947 A * 7/1969 George et al. 99/308
- 3,592,125 A * 7/1971 Tolmie et al. 99/307
- D235,015 S * 4/1975 Stern D23/209
- D243,141 S * 1/1977 Mantelet D7/309
- D251,564 S * 4/1979 MacKrell D7/311
- D267,325 S * 12/1982 Zimmerman et al. D7/309

- D278,200 S * 4/1985 Dahlberg D7/312
- 4,579,050 A * 4/1986 Niezen 99/295
- D283,778 S * 5/1986 Jack D7/309
- D298,996 S * 12/1988 Van Camp et al. D7/309
- D300,106 S * 3/1989 Paulin D7/309
- D331,522 S * 12/1992 Littmann D7/309
- D352,863 S * 11/1994 VerHoven D7/319
- D356,713 S * 3/1995 Groover D7/306
- D375,431 S * 11/1996 Credle et al. D7/311
- D380,335 S * 7/1997 Hui D7/309
- D401,803 S * 12/1998 Alferink D7/307
- D421,871 S * 3/2000 Klosinski et al. D7/309
- D431,145 S * 9/2000 Woebcke et al. D7/306
- D456,663 S * 5/2002 Chew D7/306
- D464,226 S * 10/2002 Lassota et al. D7/306
- D497,075 S * 10/2004 Lassota et al. D7/306
- D501,623 S * 2/2005 Lin D7/309
- D502,043 S * 2/2005 Lin D7/309

* cited by examiner

Primary Examiner—M. N. Pandozzi

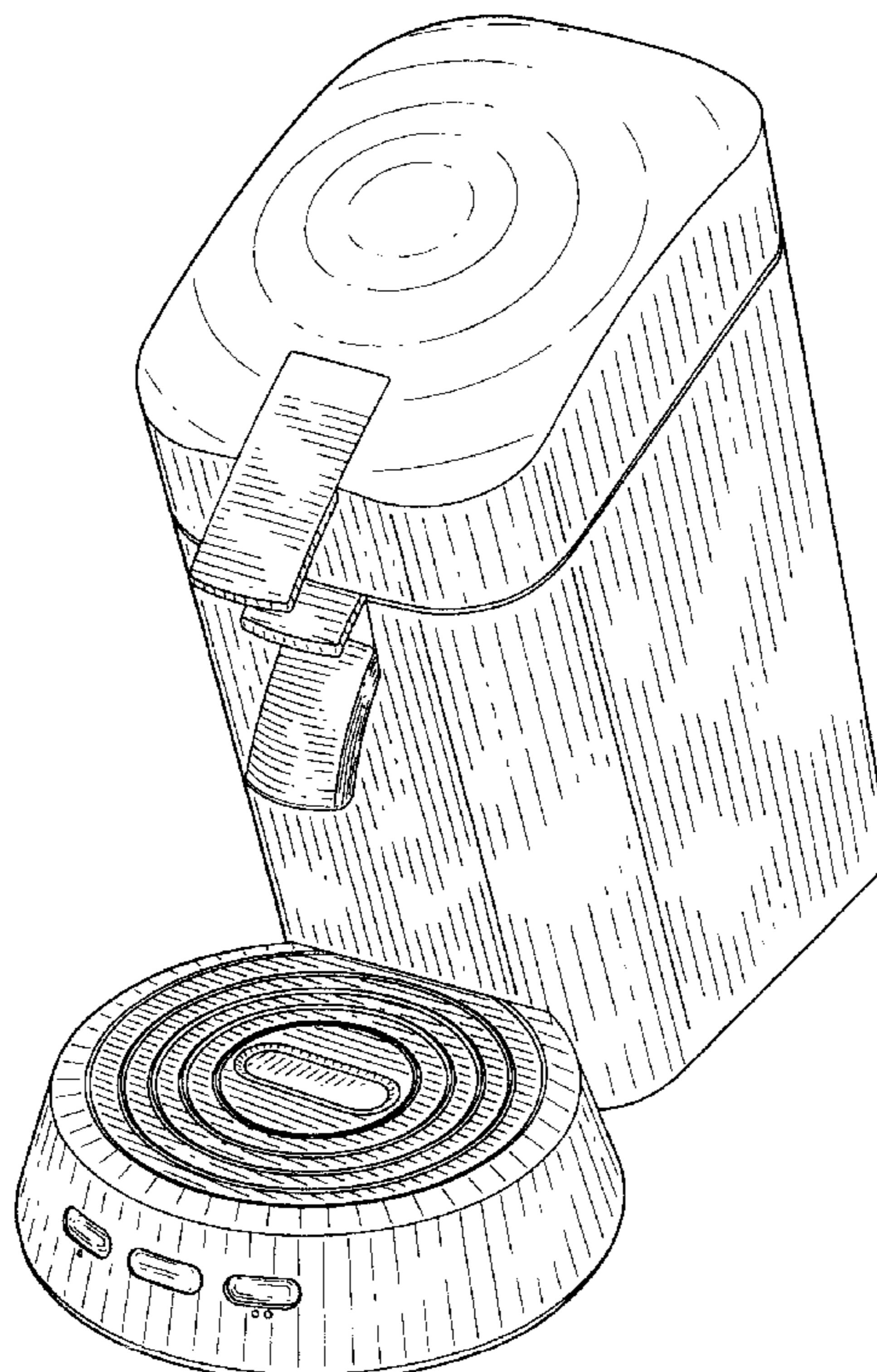
(57) **CLAIM**

The ornamental design for a coffee maker, as shown.

DESCRIPTION

FIG. 1 is a perspective view showing my design;
FIG. 2 is a front elevational view thereof;
FIG. 3 is a rear elevational view thereof;
FIG. 4 is a right side elevational view thereof;
FIG. 5 is a left side elevational view thereof;
FIG. 6 is a top plan view thereof; and,
FIG. 7 is a bottom plan view thereof.

1 Claim, 5 Drawing Sheets



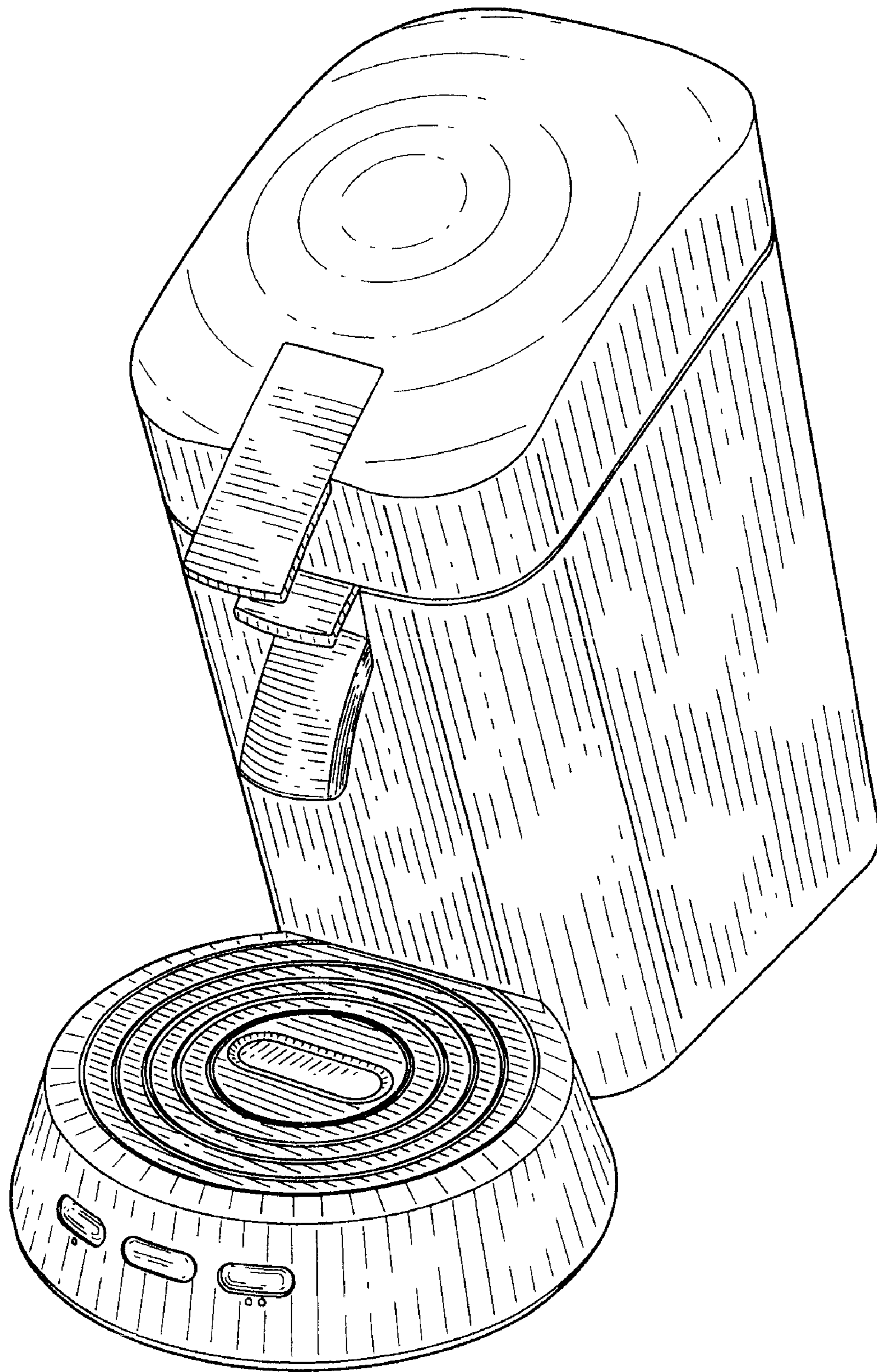


FIG. 1

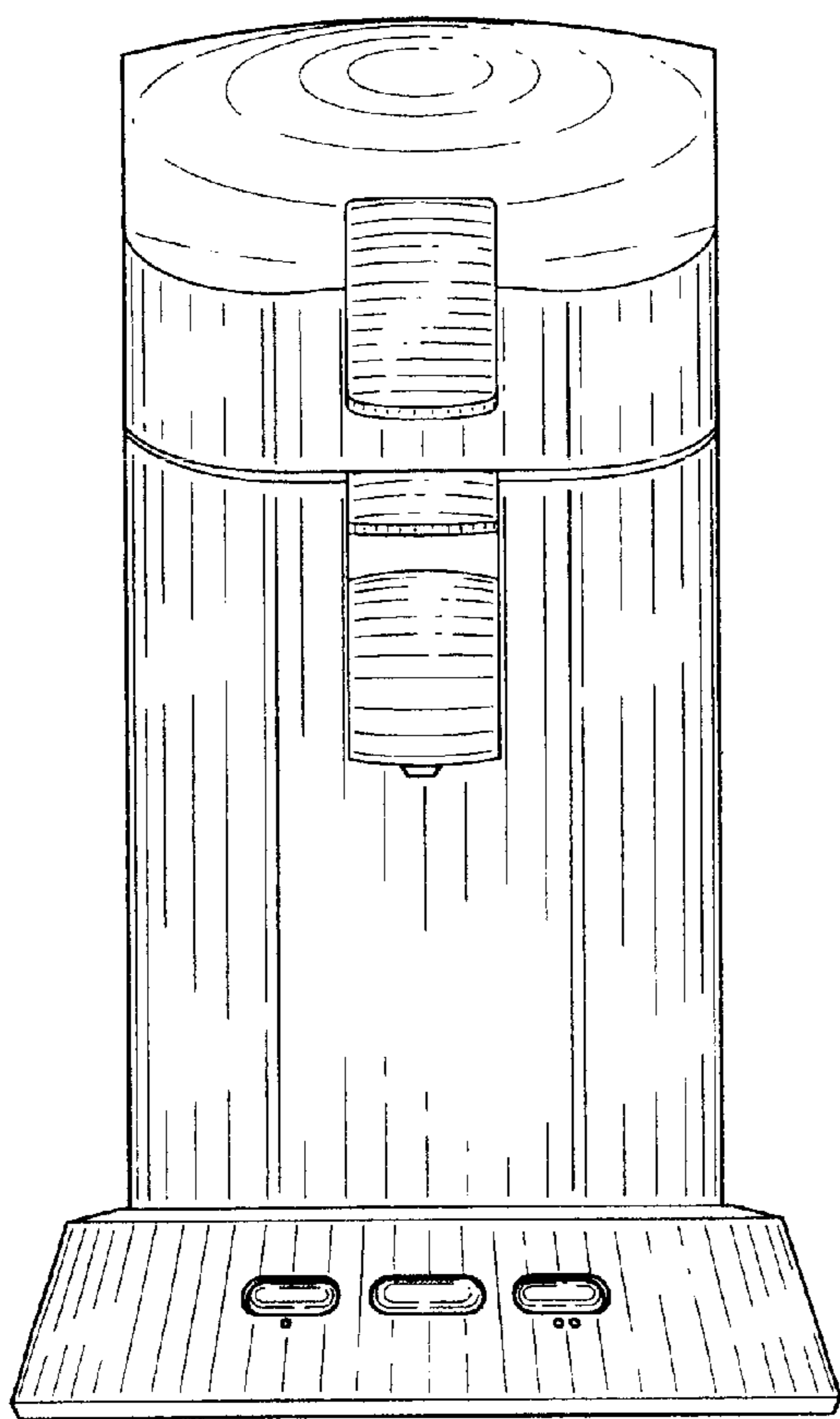


FIG. 2

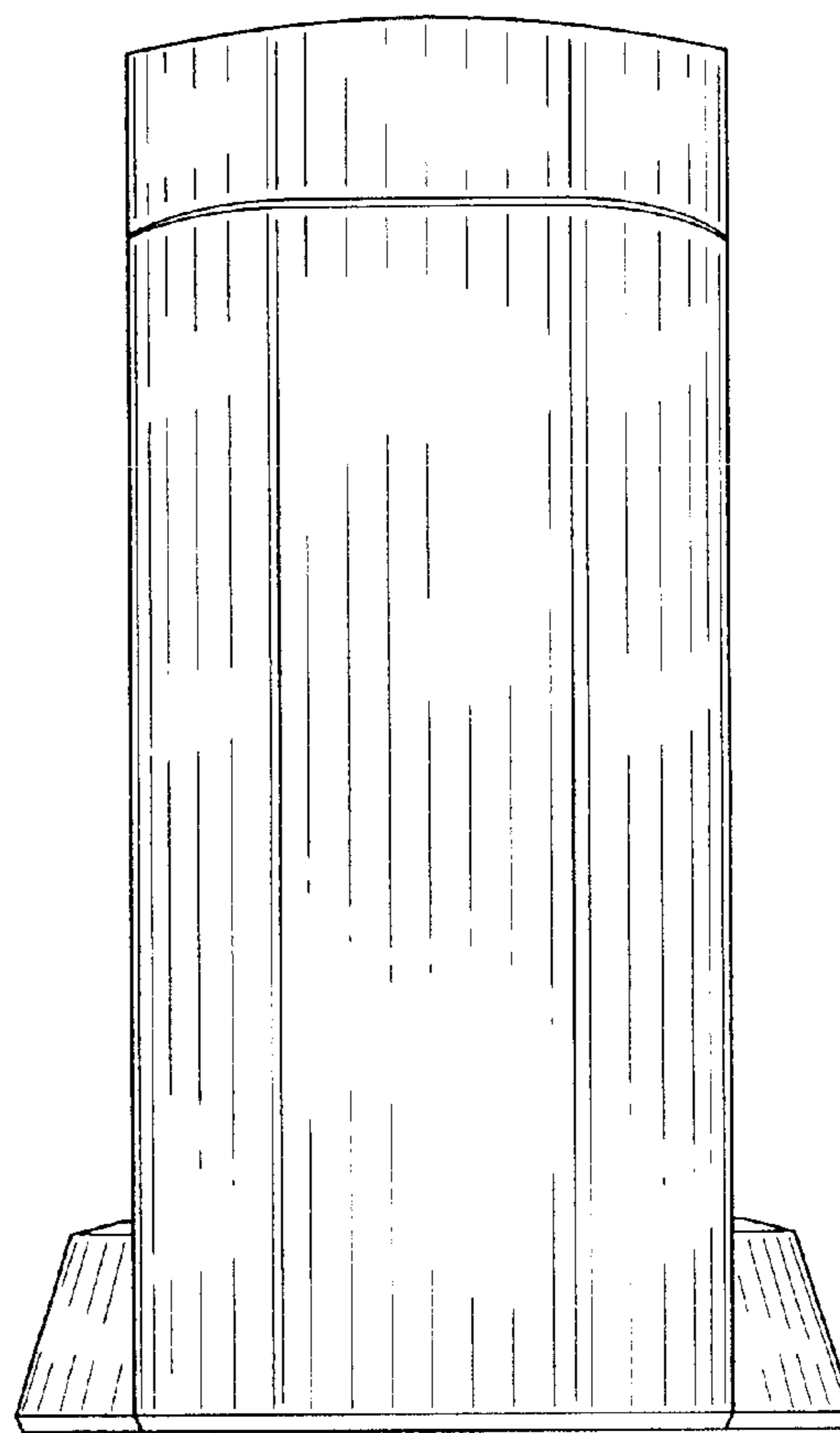


FIG. 3

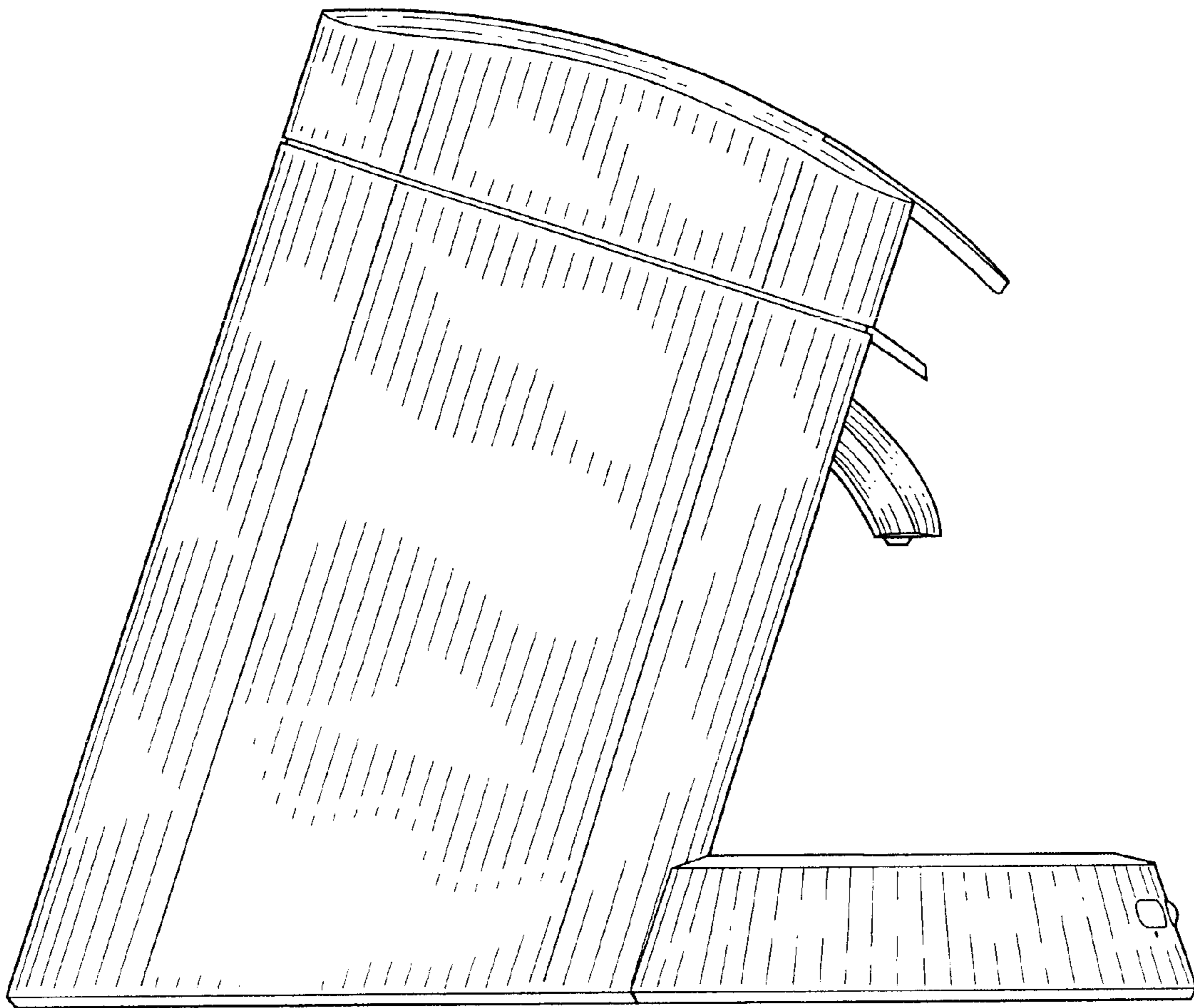


FIG.4

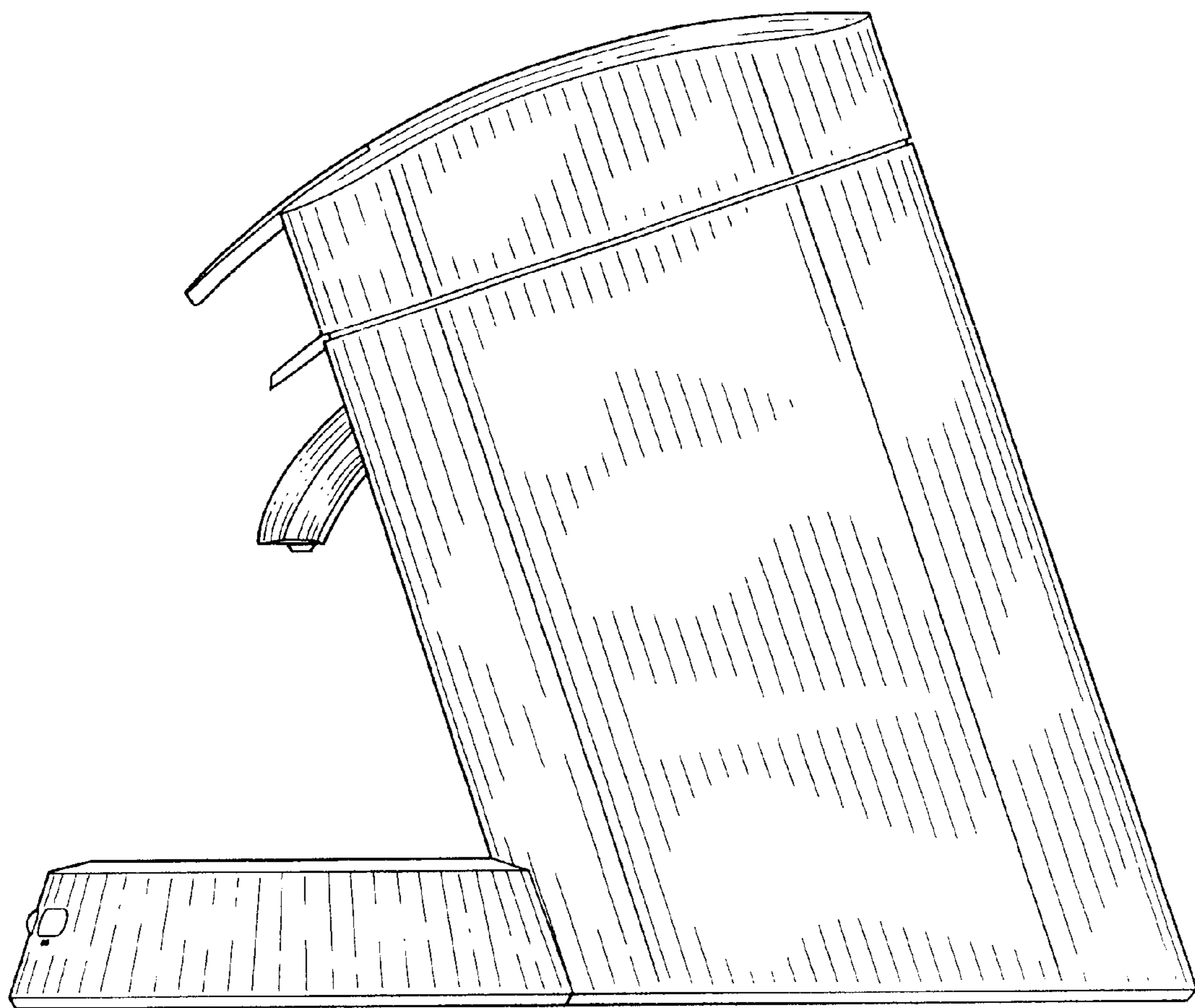


FIG.5

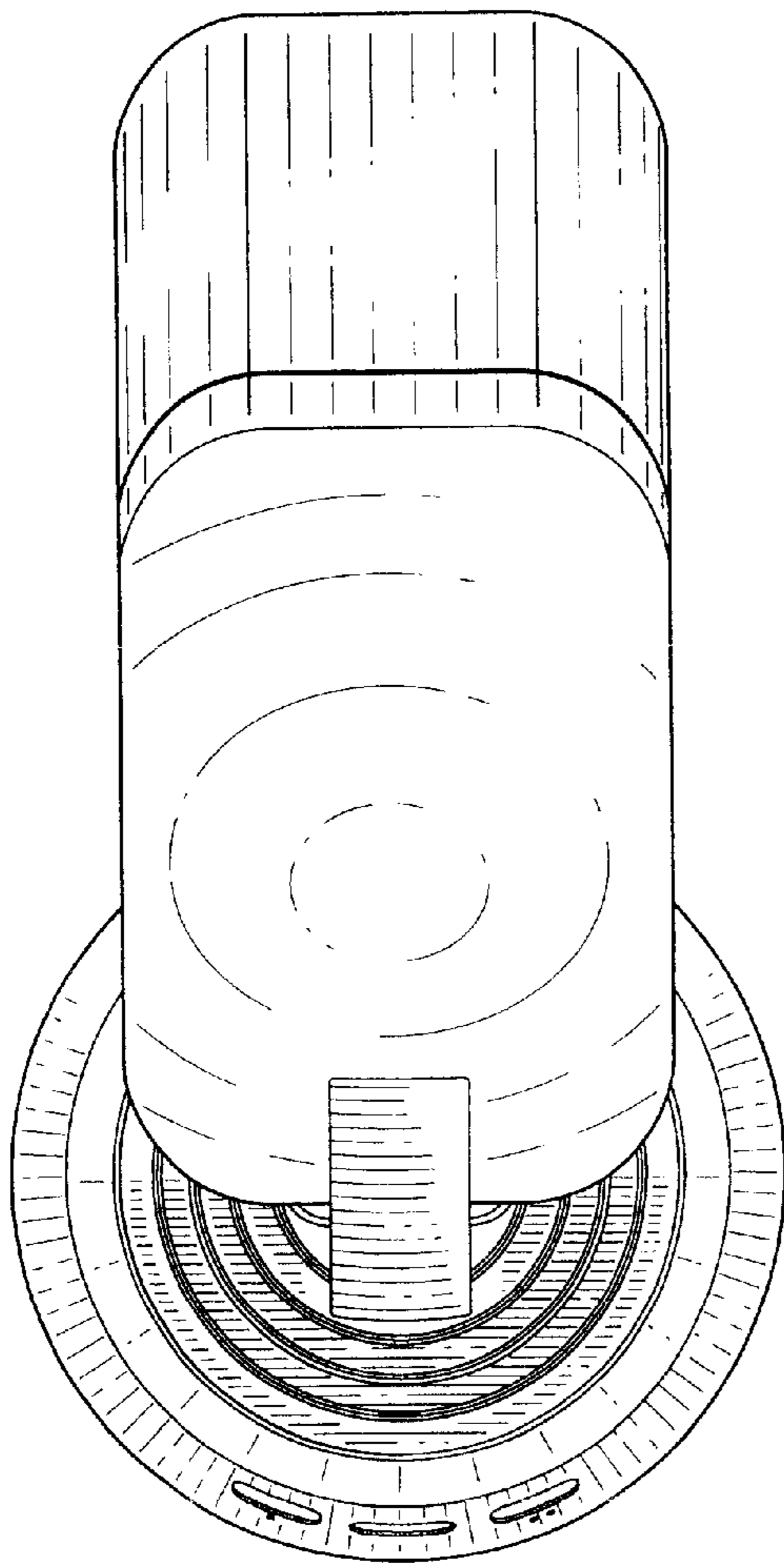


FIG. 6

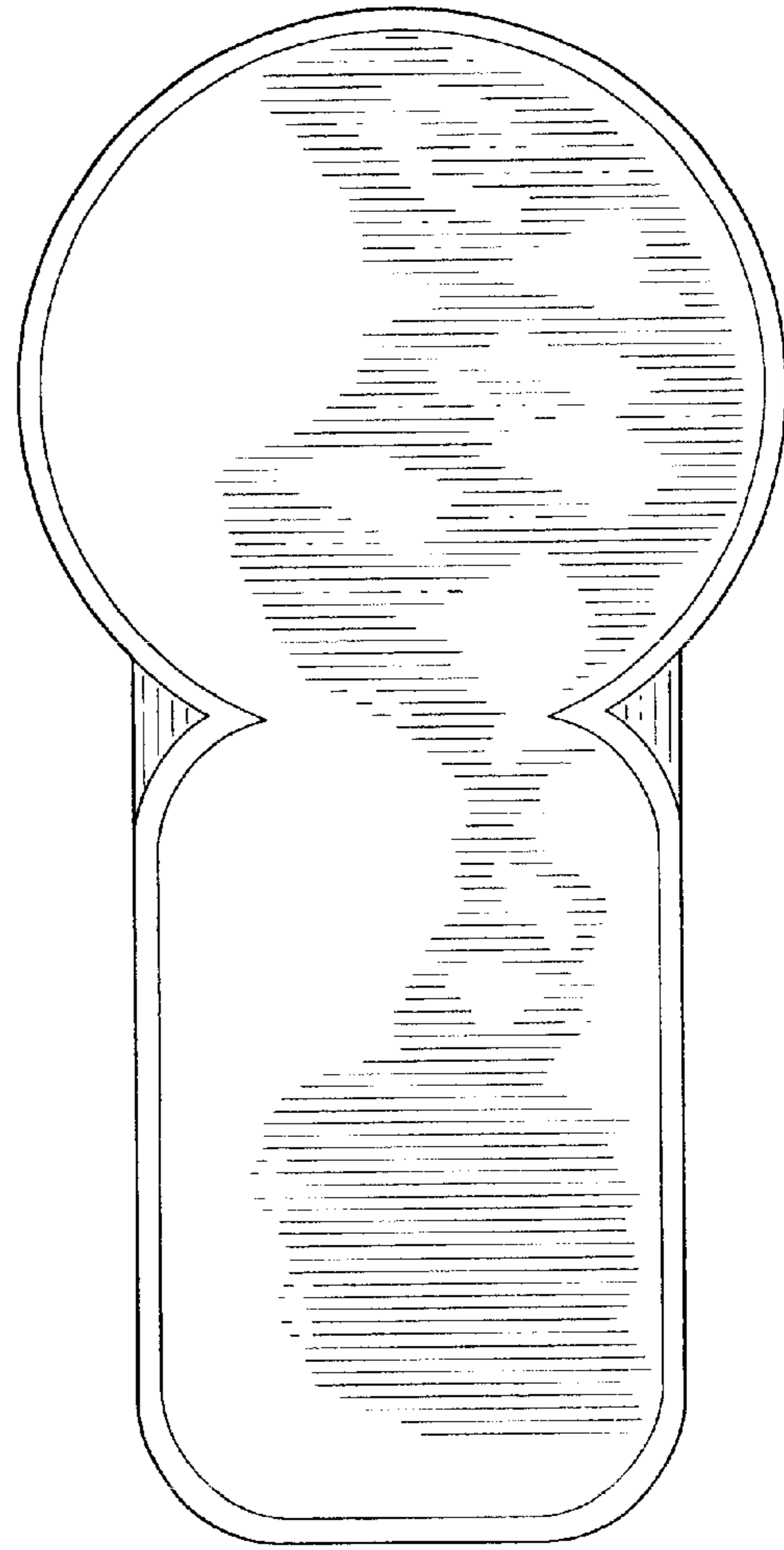


FIG. 7