

US00D525468S

(12) **United States Design Patent**  
**Smederöd**

(10) **Patent No.:** **US D525,468 S**

(45) **Date of Patent:** **\*\* Jul. 25, 2006**

(54) **TILTING DEVICE FOR VENETIAN BLIND**

D440,445 S \* 4/2001 Fraser ..... D6/580  
D453,440 S \* 2/2002 Fraser et al. .... D6/580  
D509,394 S \* 9/2005 Allsopp ..... D6/580

(75) Inventor: **Sten Smederöd**, Göteborg (SE)

\* cited by examiner

(73) Assignee: **Smederöd Trading AB**, Partille (SE)

*Primary Examiner*—Holly Baynham

(\*\*) Term: **14 Years**

*Assistant Examiner*—Cynthia M. Chin

(21) Appl. No.: **29/231,887**

(74) *Attorney, Agent, or Firm*—Birch, Stewart, Kolasch & Birch, LLP

(22) Filed: **Jun. 13, 2005**

(57) **CLAIM**

(30) **Foreign Application Priority Data**

The ornamental design for a tilting device for venetian blind, as shown and described.

Dec. 14, 2004 (EM) ..... 000267935

(51) **LOC (8) Cl.** ..... **06-10**

**DESCRIPTION**

(52) **U.S. Cl.** ..... **D6/580**

(58) **Field of Classification Search** ..... D6/577,  
D6/580; D8/302, 330, 339, 341, 343, 354,  
D8/356, 376, 377, 400; 160/34, 107, 167 V,  
160/176.1 R, 201; 52/786.11

FIG. 1 is a perspective view of a tilting device for venetian blind, showing my new design;  
FIG. 2 is a right side view thereof;  
FIG. 3 is a rear elevational view thereof;  
FIG. 4 is a front elevational view thereof;  
FIG. 5 is a left side view thereof;  
FIG. 6 is a bottom plan view thereof; and,  
FIG. 7 is a top plan view thereof.

See application file for complete search history.

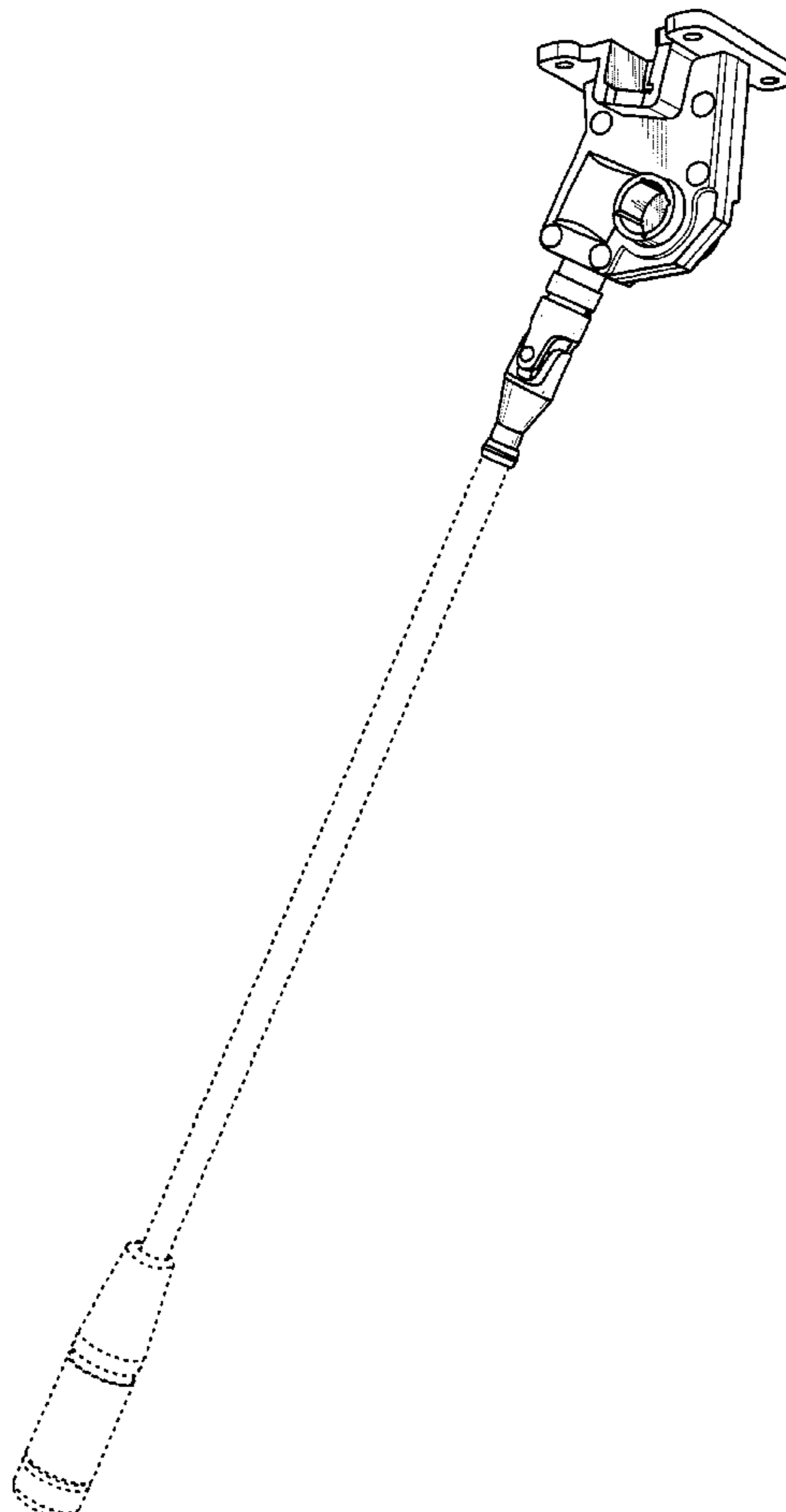
The broken line showings are for illustrative purposes only and form no part of the claimed design.

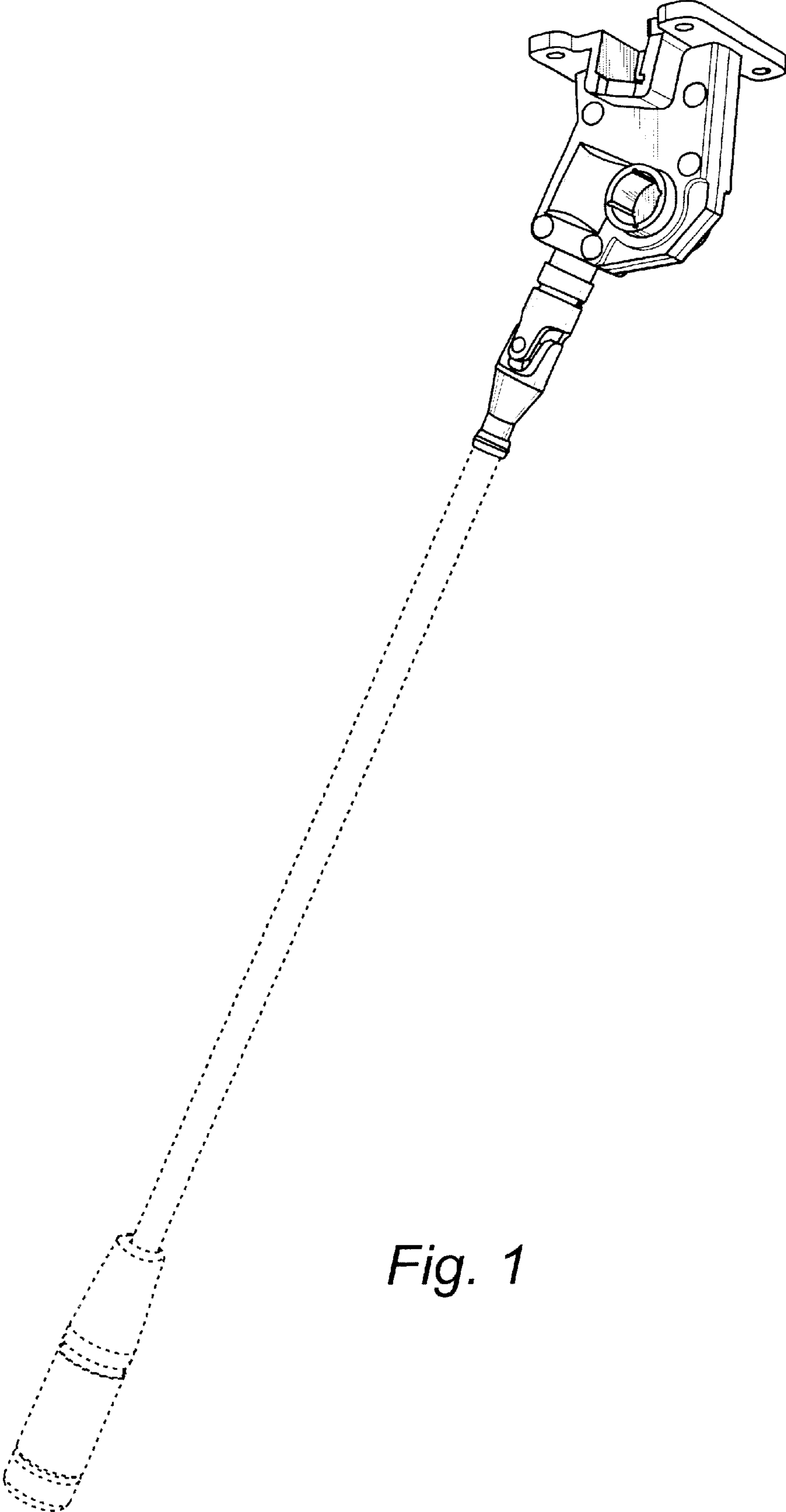
(56) **References Cited**

**U.S. PATENT DOCUMENTS**

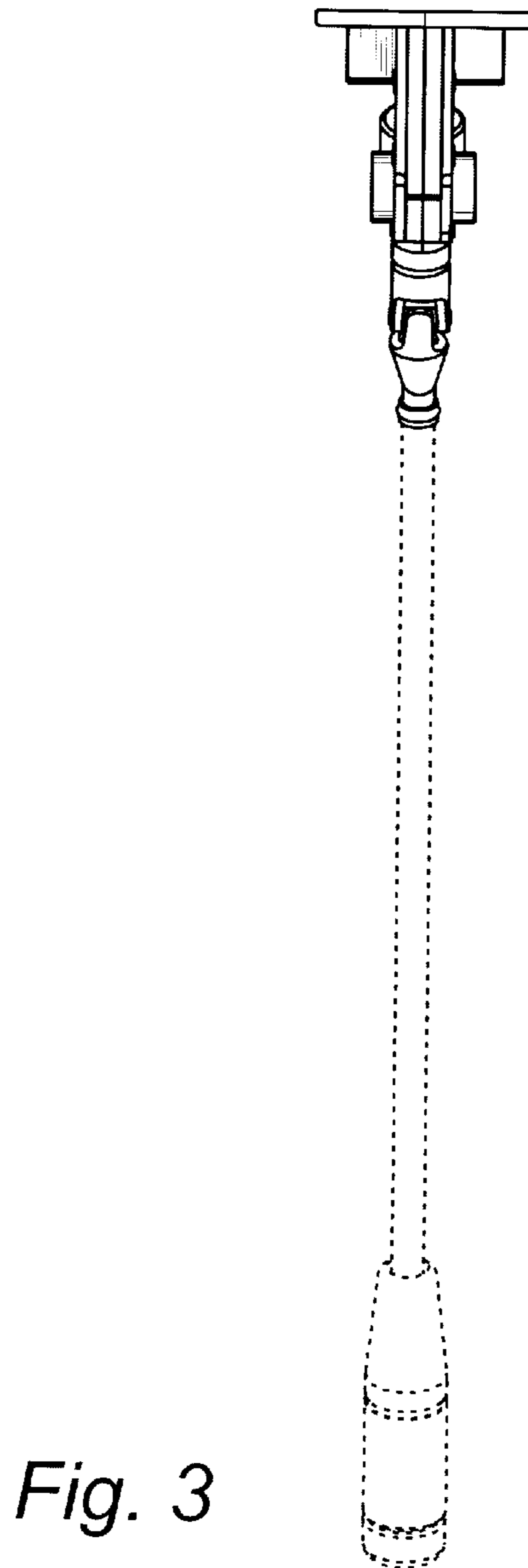
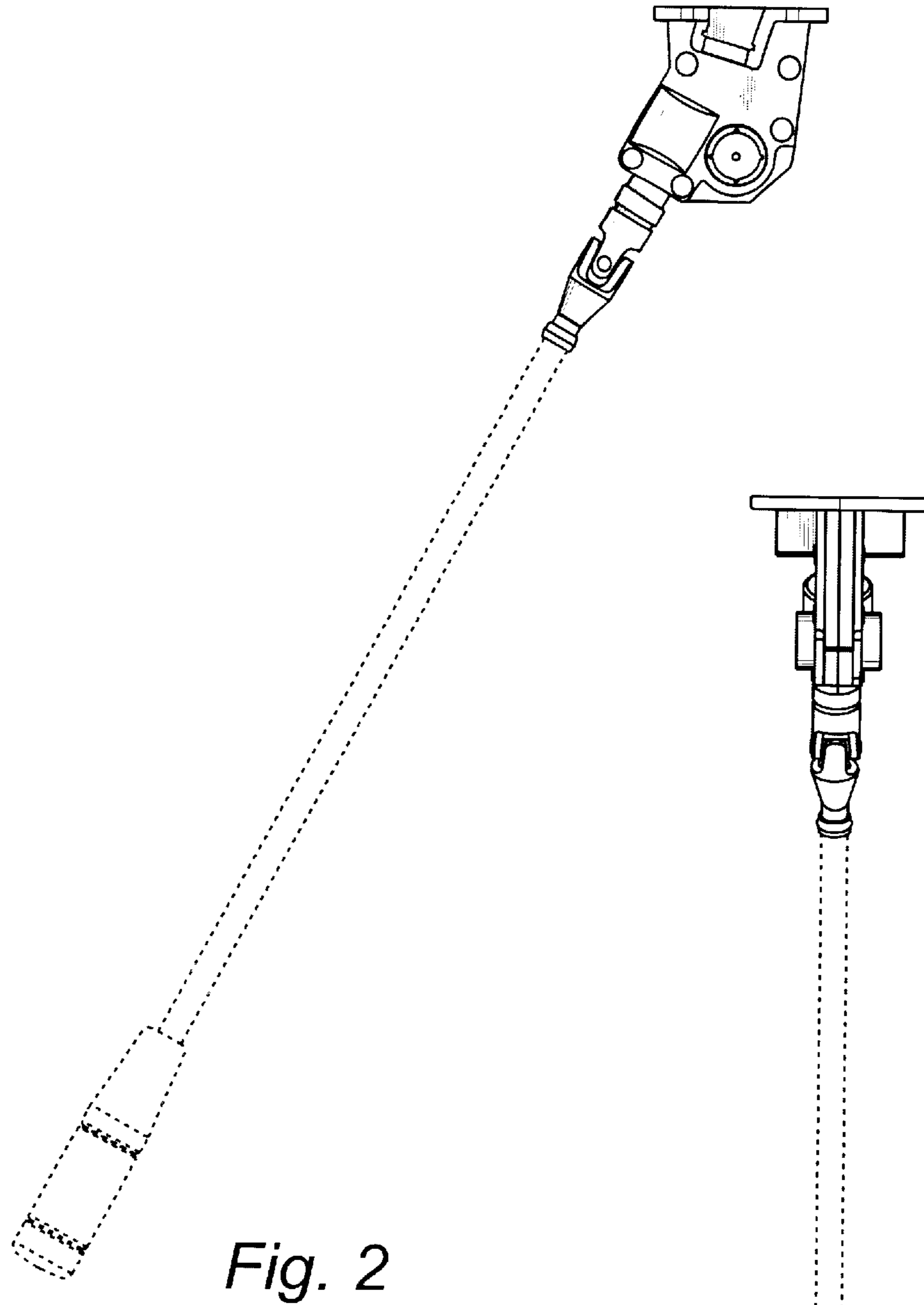
D275,538 S \* 9/1984 Brolin ..... D6/580  
D275,828 S \* 10/1984 Brolin ..... D6/580

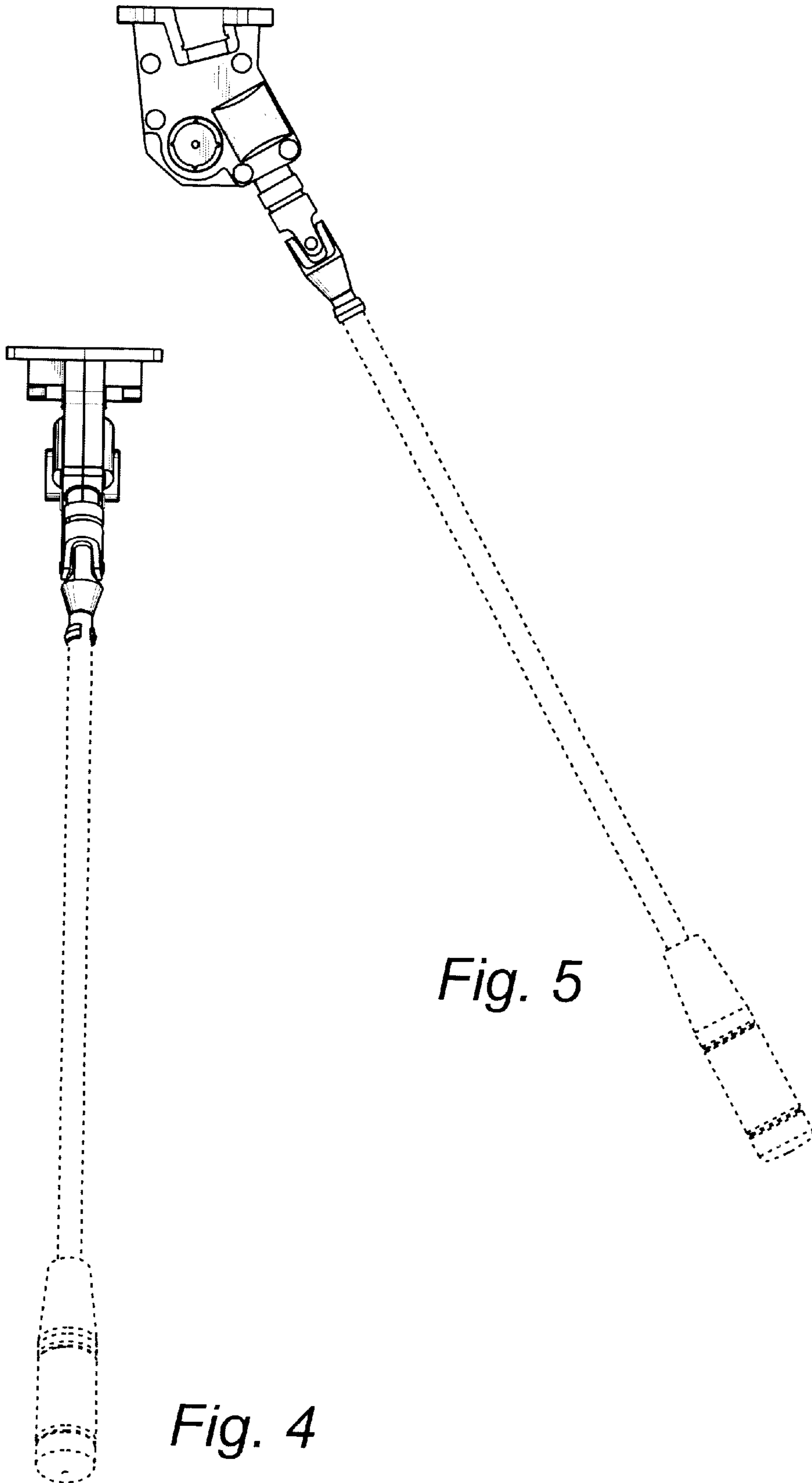
**1 Claim, 4 Drawing Sheets**





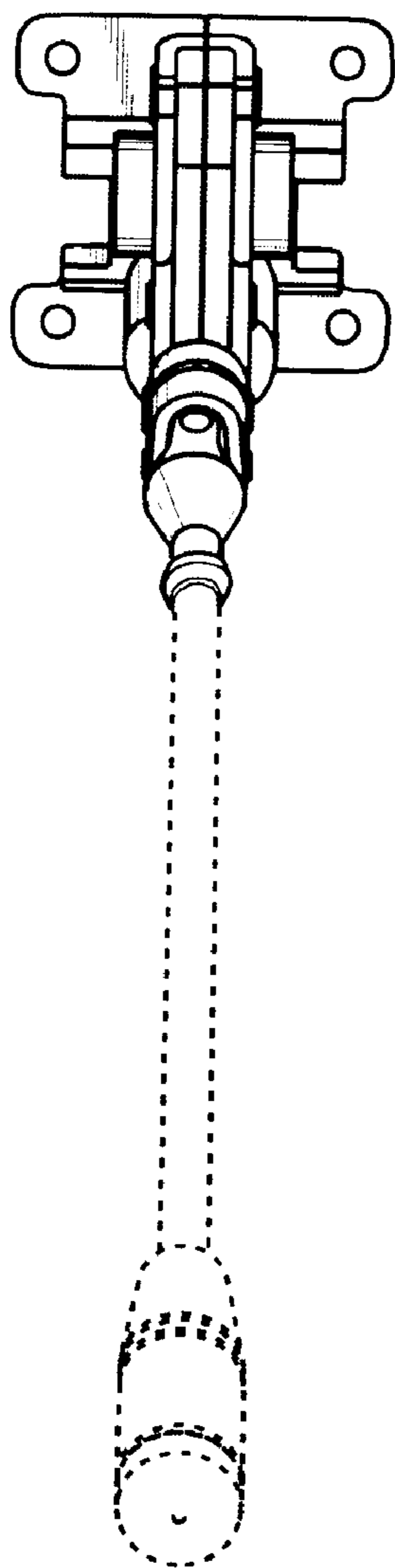
*Fig. 1*



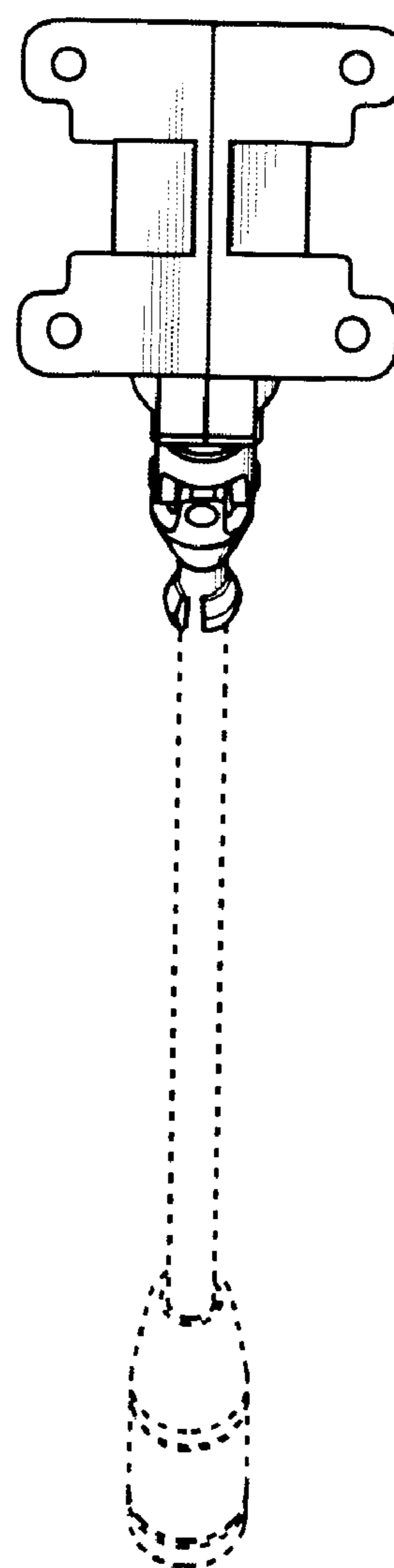


*Fig. 4*

*Fig. 5*



*Fig. 6*



*Fig. 7*