

US00D525467S

(12) **United States Design Patent**  
**Michelson et al.**

(10) **Patent No.:** **US D525,467 S**  
(45) **Date of Patent:** **\*\* Jul. 25, 2006**

(54) **CADDY FOR A TOILET BOWL BRUSH AND A PLUNGER**

D501,347 S \* 2/2005 Conway et al. .... D6/551  
D509,961 S \* 9/2005 Petersen-Rutten ..... D6/551  
D511,062 S \* 11/2005 Lai ..... D6/524

(75) Inventors: **Robert Michelson**, Wayland, MA (US);  
**Michael Silverman**, Westborough, MA (US);  
**Marc Drucker**, Newton, MA (US)

\* cited by examiner

*Primary Examiner*—Brian N Vinson

(74) *Attorney, Agent, or Firm*—Kriegsman & Kriegsman

(73) Assignee: **Butler Home Products, LLC**,  
Holliston, MA (US)

(57) **CLAIM**

The ornamental design for a caddy for a toilet bowl brush and a plunger.

(\*\*) Term: **14 Years**

**DESCRIPTION**

(21) Appl. No.: **29/219,223**

FIG. 1 is a perspective view taken from the front of a caddy for a toilet bowl brush and a plunger showing my new design of the toilet bowl brush and a plunger not being part of the design but being shown mounted in the caddy and in dashed lines;

(22) Filed: **Dec. 14, 2004**

(51) **LOC (8) Cl.** ..... **23-02**

(52) **U.S. Cl.** ..... **D6/524; D6/551**

(58) **Field of Classification Search** ..... D6/524,  
D6/551; 206/207, 349, 361; 4/255.05; 312/206,  
312/207; 248/314

See application file for complete search history.

FIG. 2 is a left front view of the caddy with toilet bowl brush and a plunger mounted therein as shown in FIG. 1;

FIG. 3 is a back view of the caddy with the toilet bowl brush and plunger mounted therein as shown in FIG. 1;

FIG. 4 is a right side view of the caddy with the toilet bowl brush and a plunger mounted therein as shown in FIG. 1;

FIG. 5 is a left side view of the caddy with the toilet bowl brush and a plunger mounted therein as shown in FIG. 1;

FIG. 6 is a top view of the caddy with the toilet bowl brush and a plunger mounted therein as shown in FIG. 1; and,

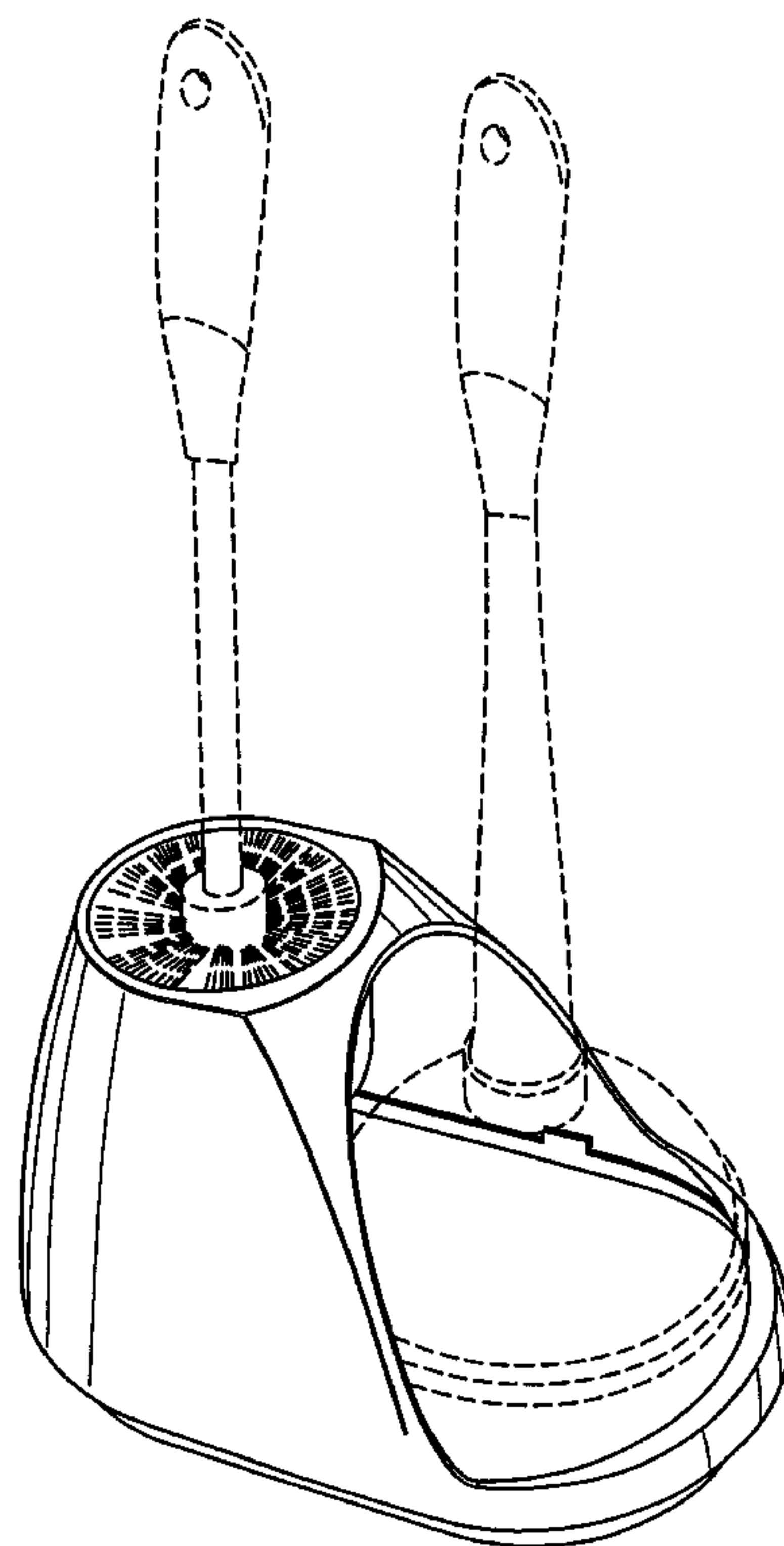
FIG. 7 is a bottom view of the caddy shown in FIG. 1.

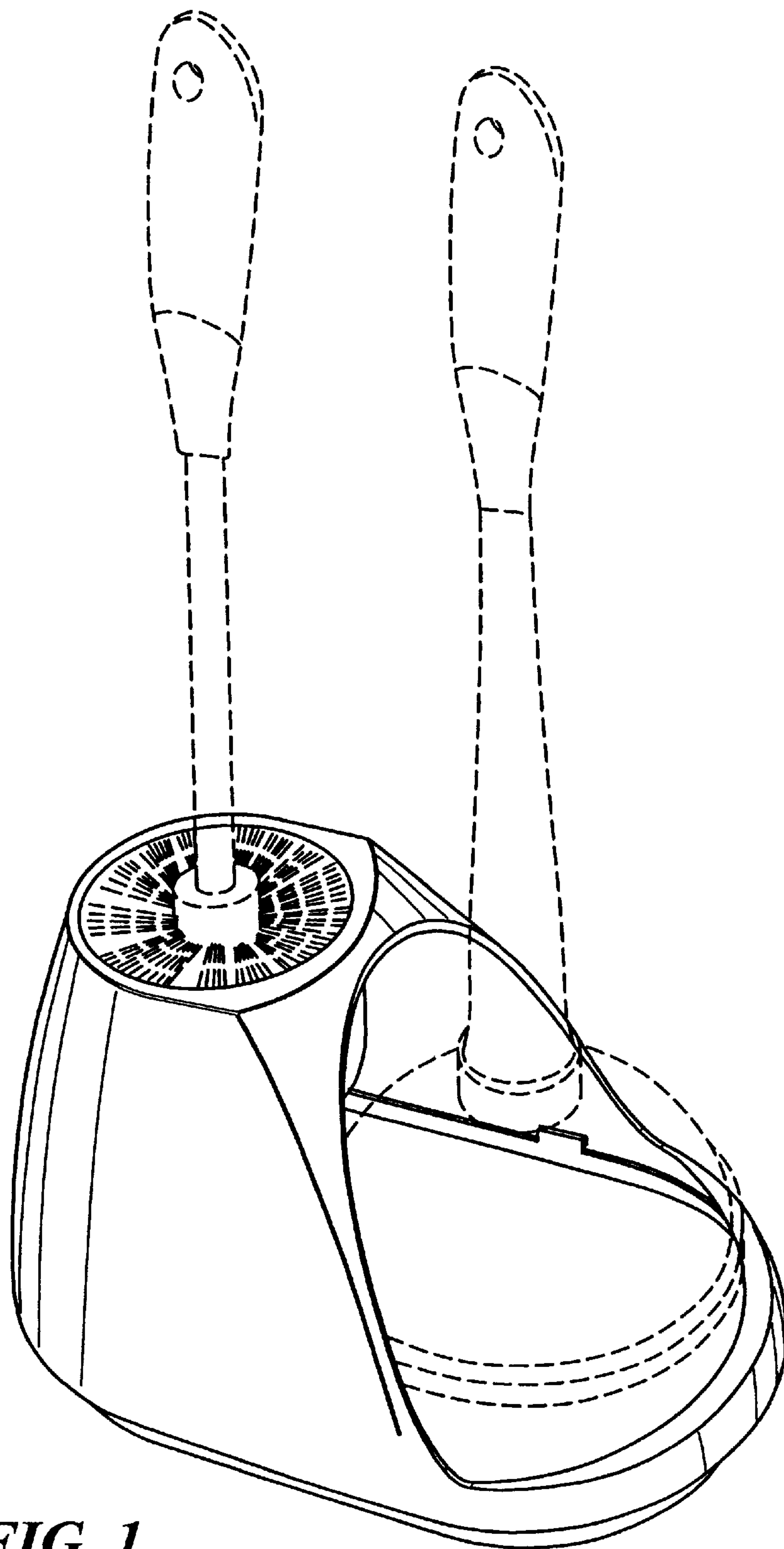
(56) **References Cited**

**U.S. PATENT DOCUMENTS**

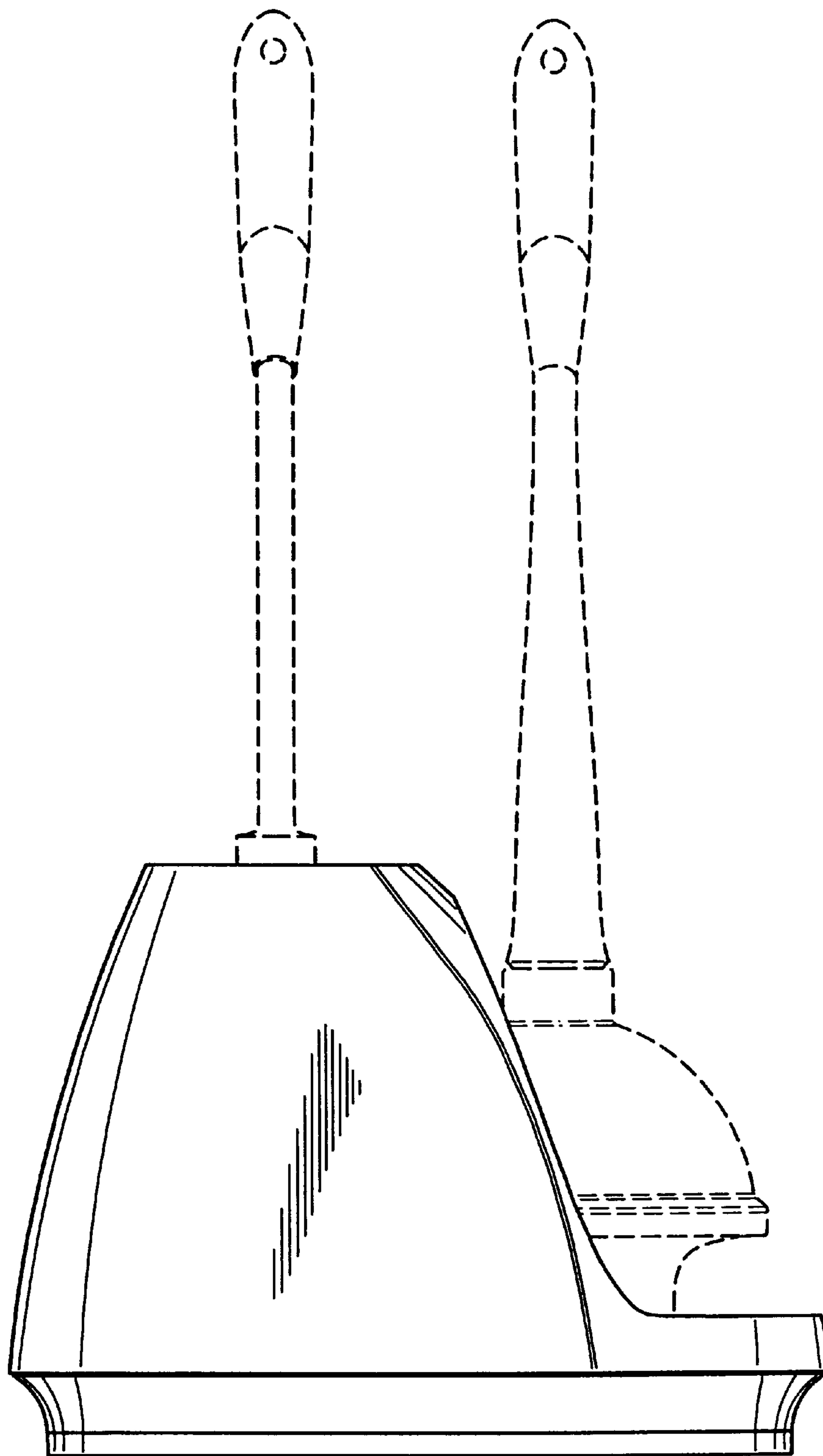
D297,292 S \* 8/1988 Plymale ..... D6/551  
5,456,356 A \* 10/1995 Kurzawa ..... 206/349  
D413,470 S \* 9/1999 Burton ..... D6/551  
6,647,567 B1 \* 11/2003 Baldwin et al. .... 4/255.01  
D483,590 S \* 12/2003 Dretzka ..... D6/551  
D485,103 S \* 1/2004 Seehoff ..... D6/524  
D493,994 S \* 8/2004 Belt et al. .... D6/551

**1 Claim, 6 Drawing Sheets**

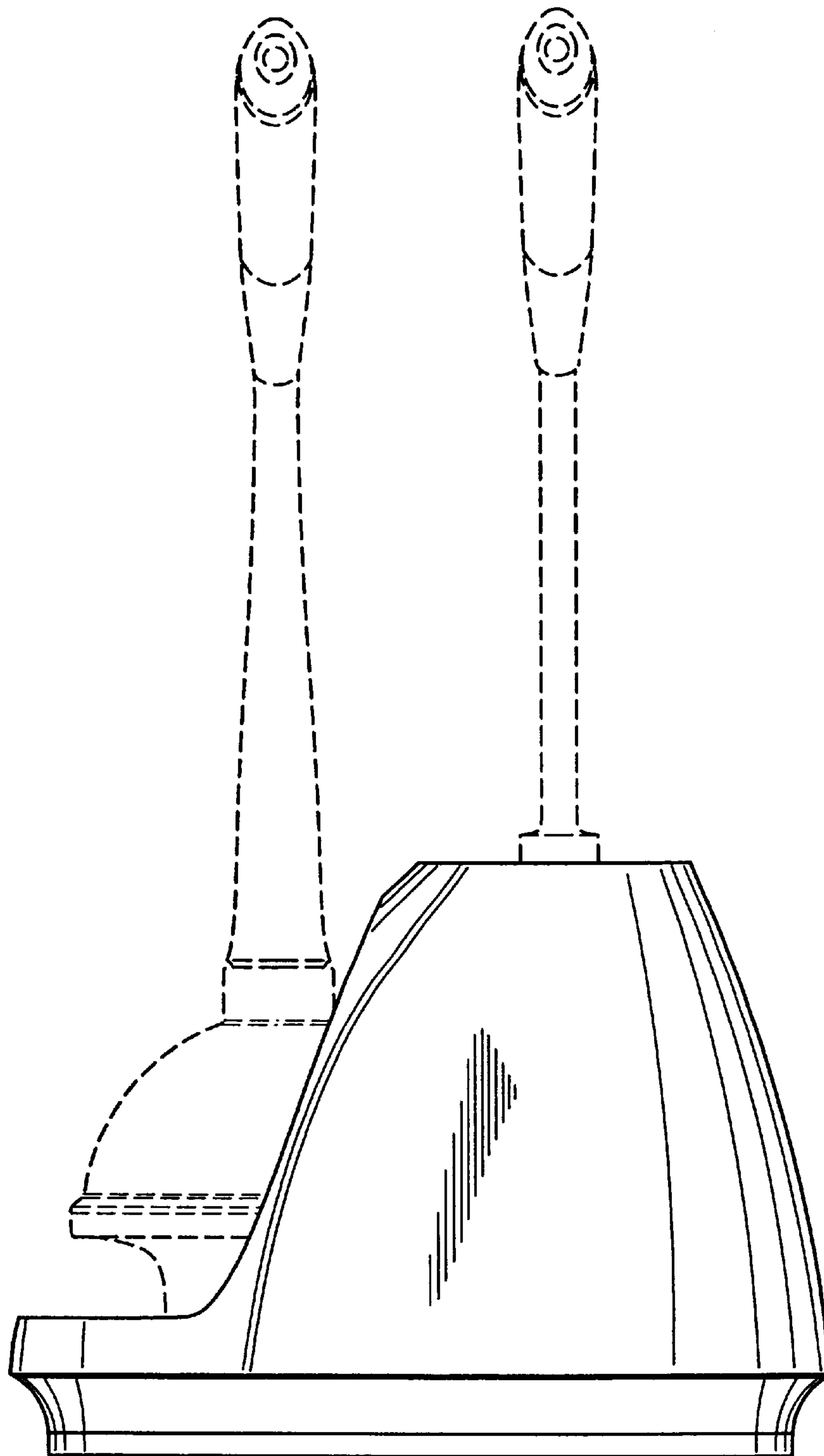




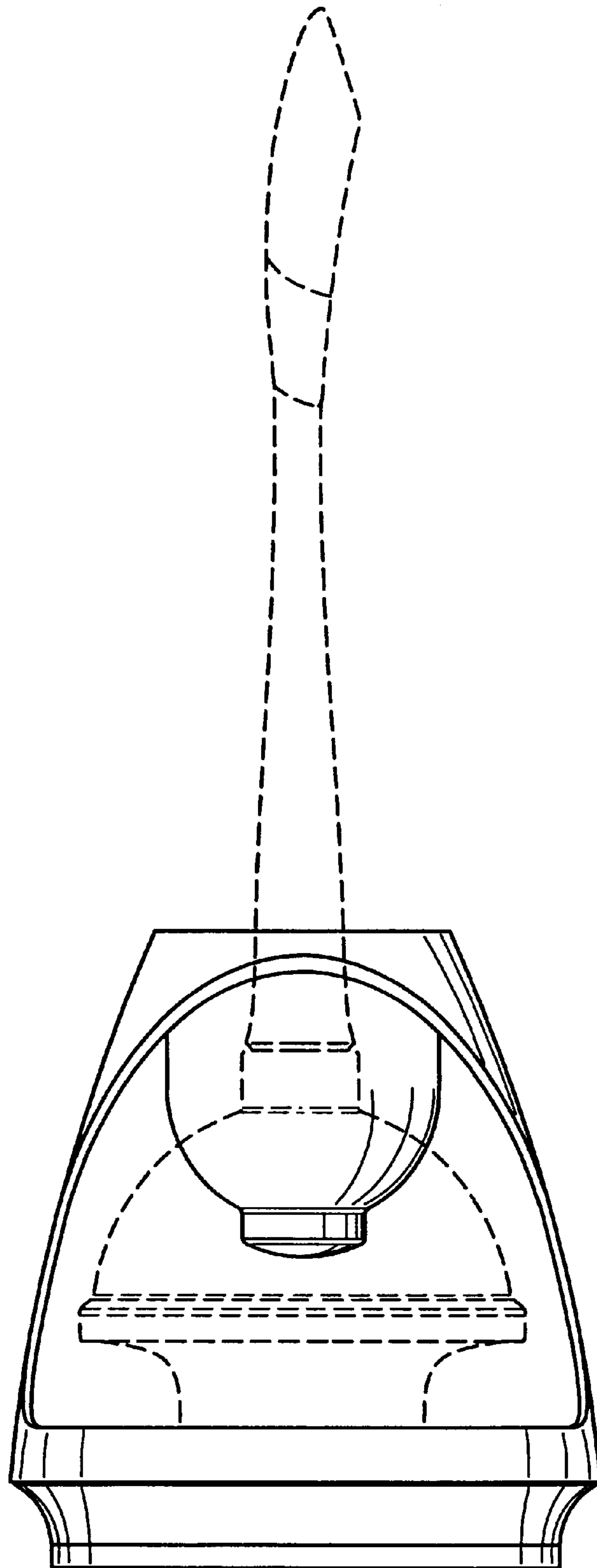
**FIG. 1**



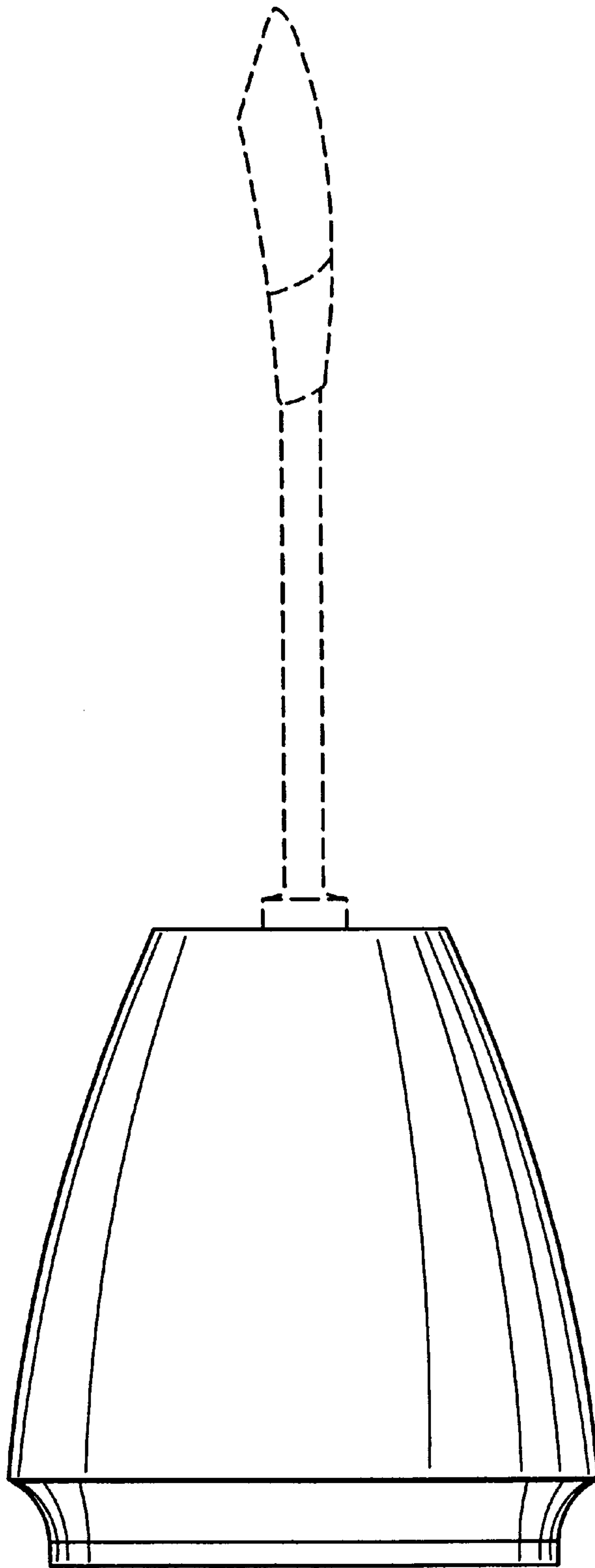
**FIG. 2**



**FIG. 3**

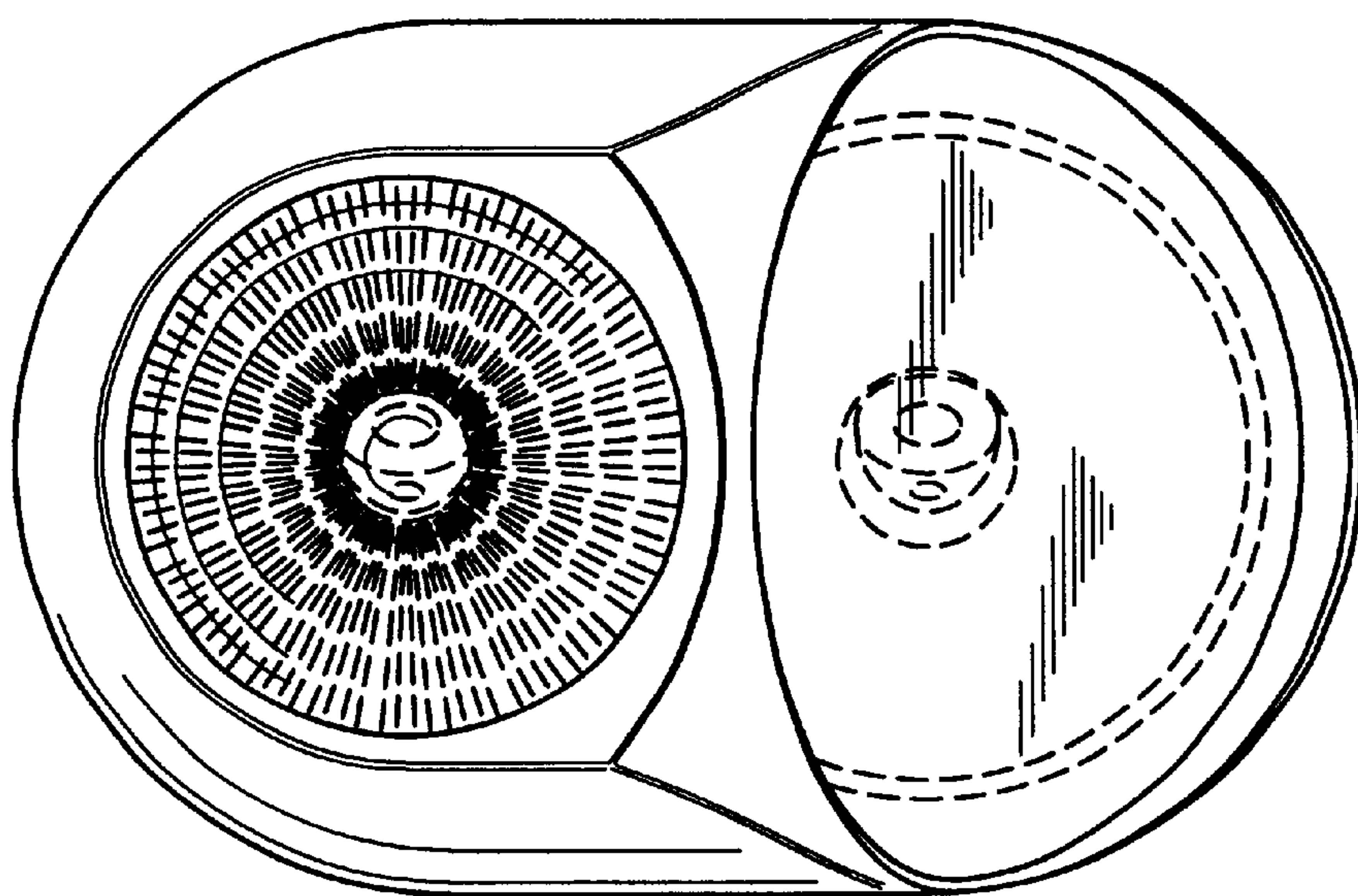


**FIG. 4**

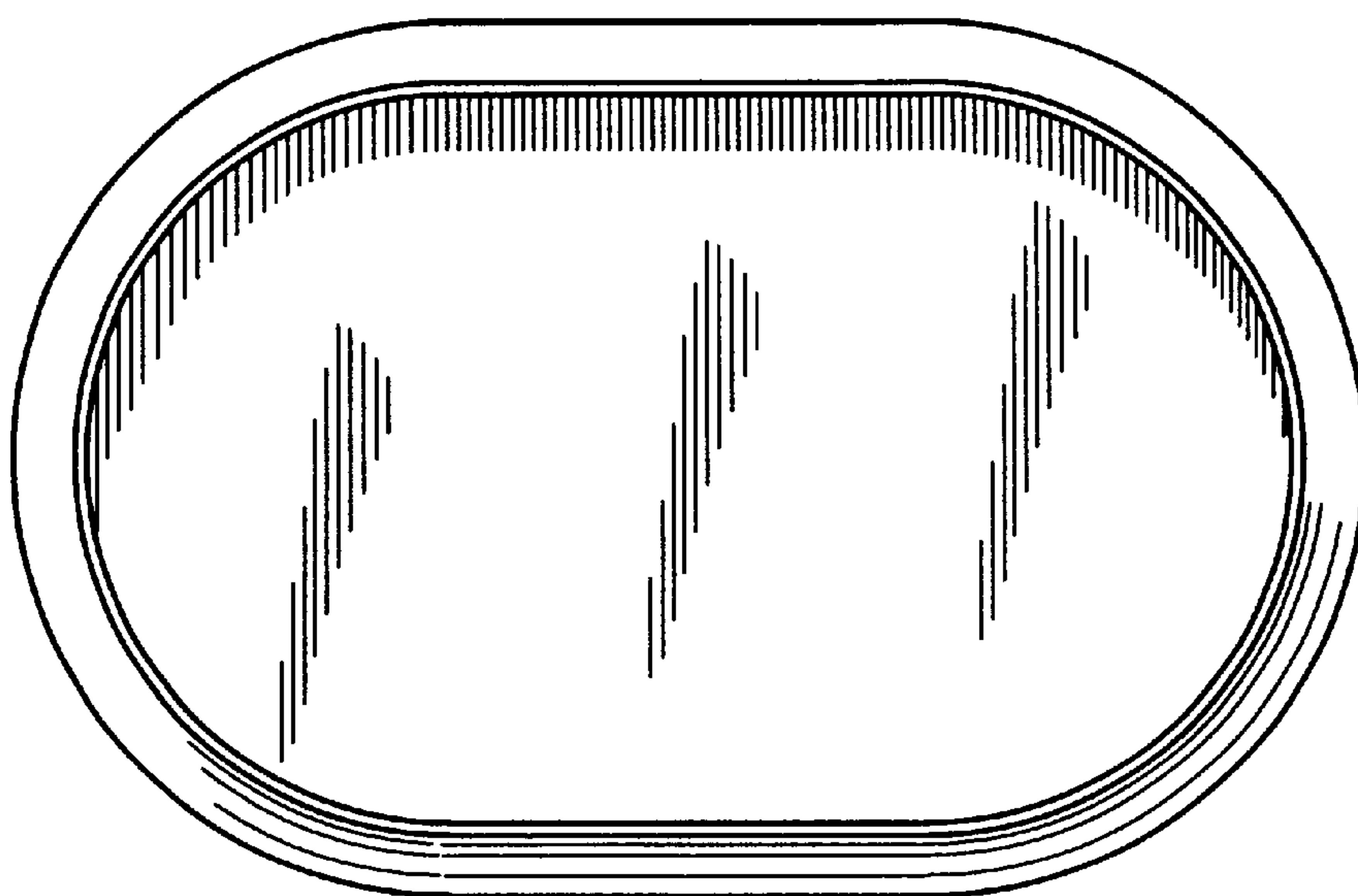


**FIG. 5**





**FIG. 6**



**FIG. 7**