

US00D525462S

(12) **United States Design Patent**
Egger

(10) **Patent No.:** **US D525,462 S**

(45) **Date of Patent:** **** Jul. 25, 2006**

(54) **CHAIR BASE**

(75) Inventor: **Julien Egger**, Santa Monica, CA (US)

(73) Assignee: **True Seating Concepts, LLC** (MU)

(**) Term: **14 Years**

(21) Appl. No.: **29/252,394**

(22) Filed: **Jan. 23, 2006**

(51) **LOC (8) Cl.** **06-06**

(52) **U.S. Cl.** **D6/498; D6/366**

(58) **Field of Classification Search** D6/334-335,
D6/364, 365, 367, 498, 500-502; 248/188,
248/188.1, 188.7, 188.8, 188.9; 297/358,
297/344.18, 411.2, 411.28, 463.1
See application file for complete search history.

(56) **References Cited**

U.S. PATENT DOCUMENTS

D458,060 S	*	6/2002	Vo	D6/498
D461,345 S	*	8/2002	Holbrook et al.	D6/498
D475,557 S	*	6/2003	Su	D6/498
D475,871 S	*	6/2003	Tsai	D6/498
D482,549 S	*	11/2003	Tsai	D6/498
D489,541 S	*	5/2004	Su	D6/366

D493,986 S	*	8/2004	Fu	D6/498
D494,785 S	*	8/2004	Chen	D6/498
D494,786 S	*	8/2004	Cheng	D6/498
D508,806 S	*	8/2005	Egger	D6/498
D509,387 S	*	9/2005	Chen	D6/498
D510,202 S	*	10/2005	Chadwick et al.	D6/366

* cited by examiner

Primary Examiner—Mimosa De

(74) *Attorney, Agent, or Firm*—Morland C. Fischer

(57) **CLAIM**

The ornamental design for a chair base, as shown and described.

DESCRIPTION

FIG. 1 is a perspective view showing the top, front and right side of a chair base which forms my new design, the broken lines showing other parts of a chair being for illustrative purposes only and forming no part of my design;

FIG. 2 is a top plan view thereof;

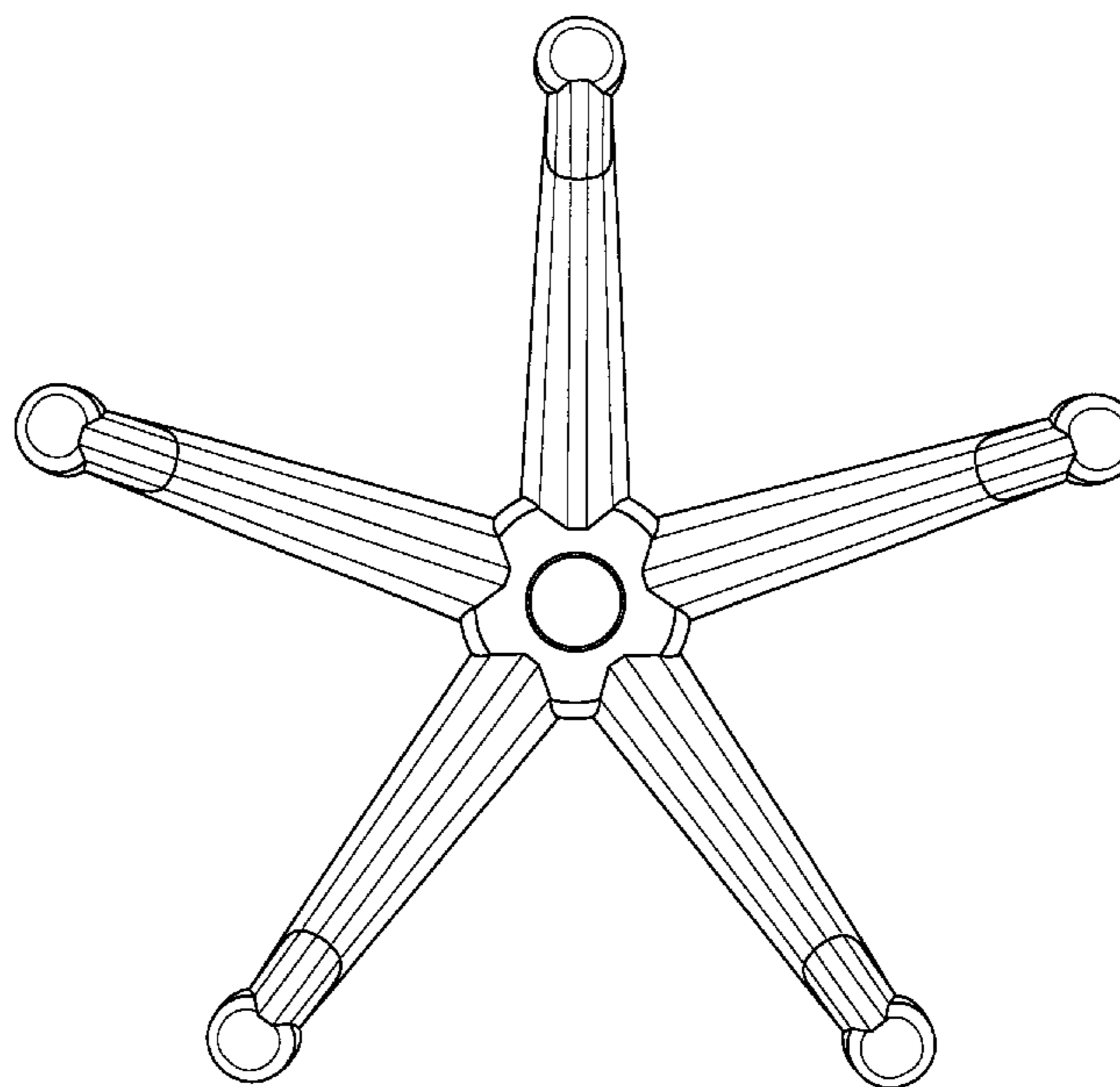
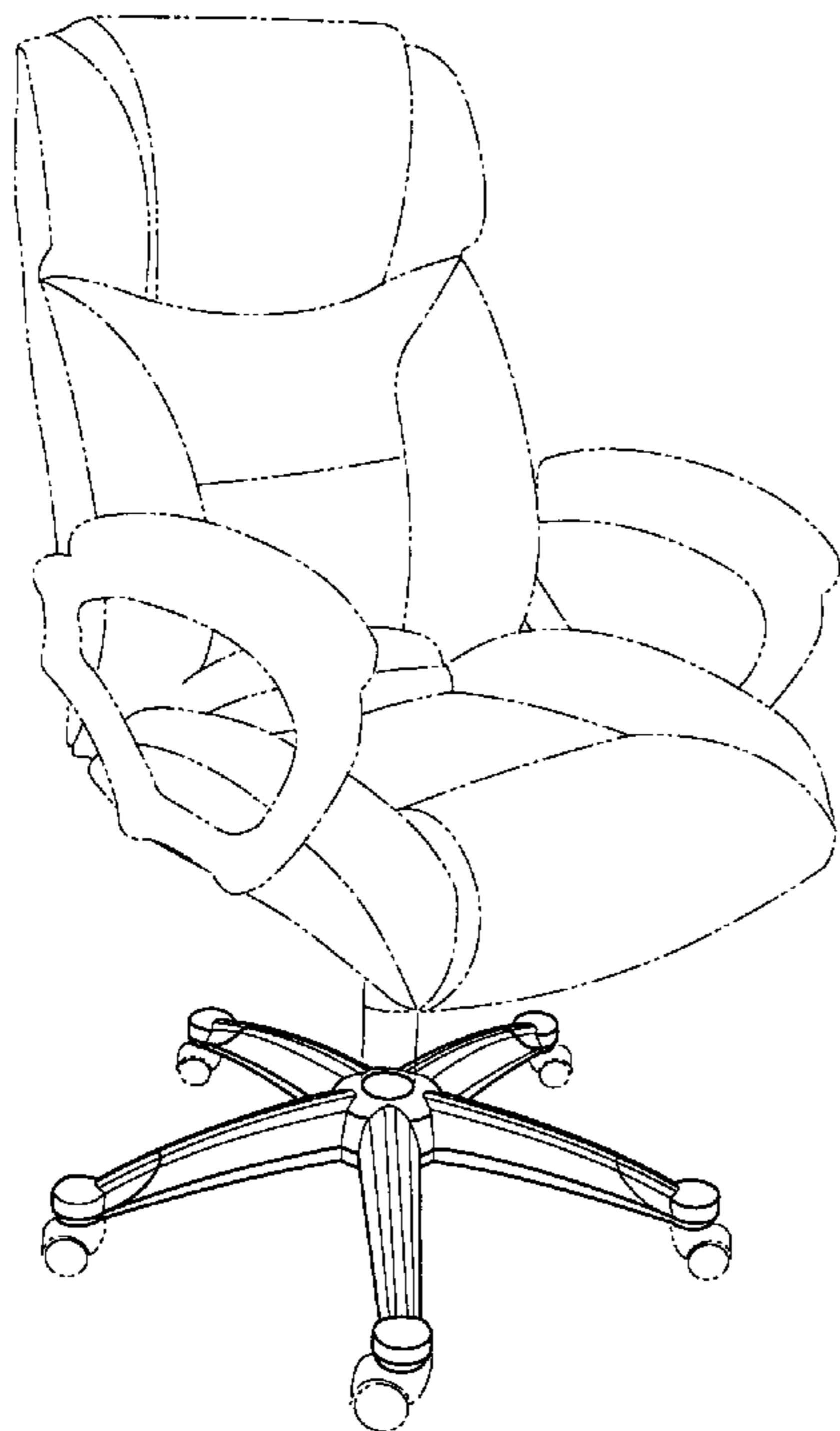
FIG. 3 is a rear elevational view thereof;

FIG. 4 is a front elevational view thereof;

FIG. 5 is a left side elevational view thereof; and,

FIG. 6 is a right side elevational view thereof.

1 Claim, 3 Drawing Sheets



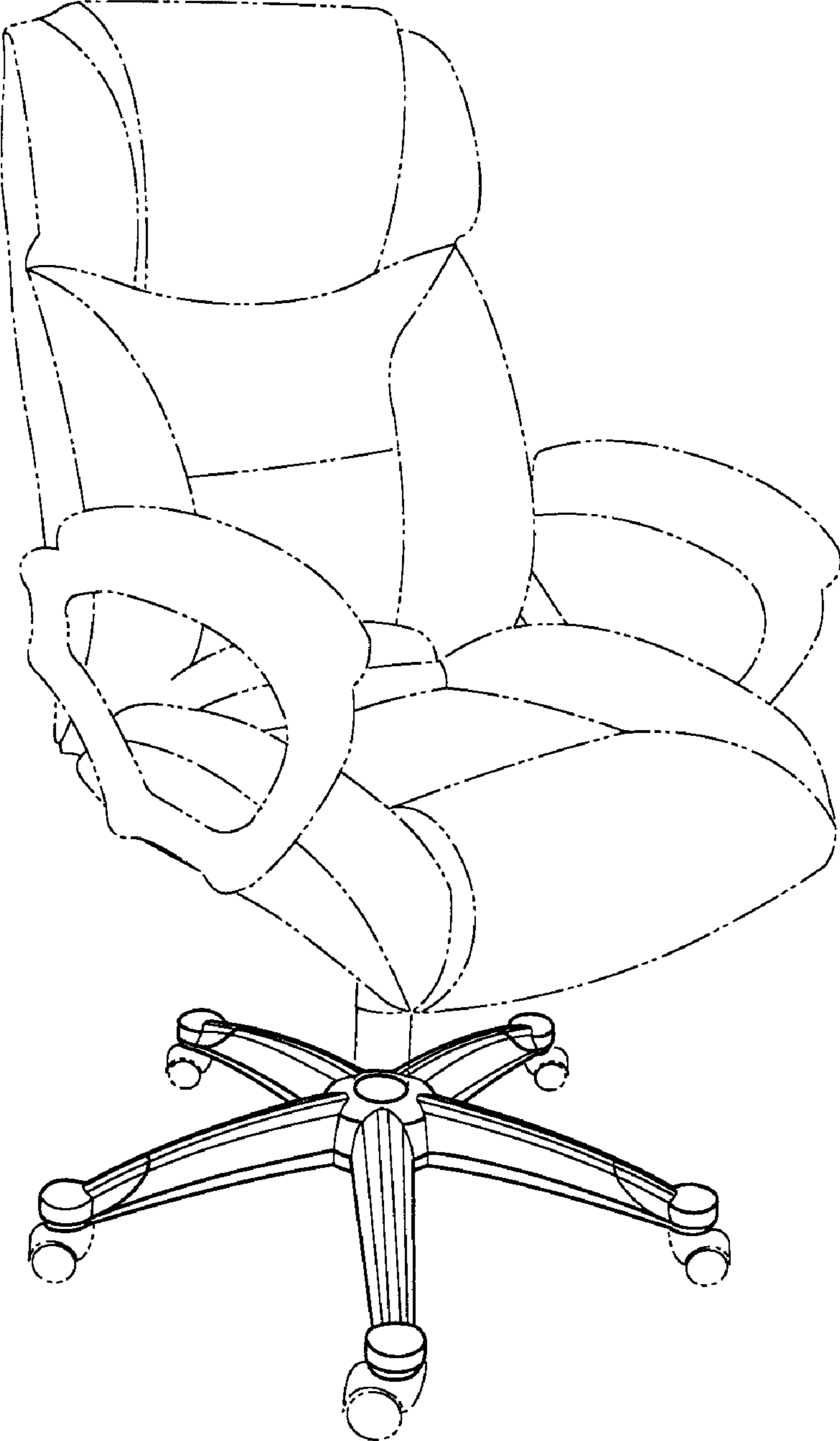


FIG. 1

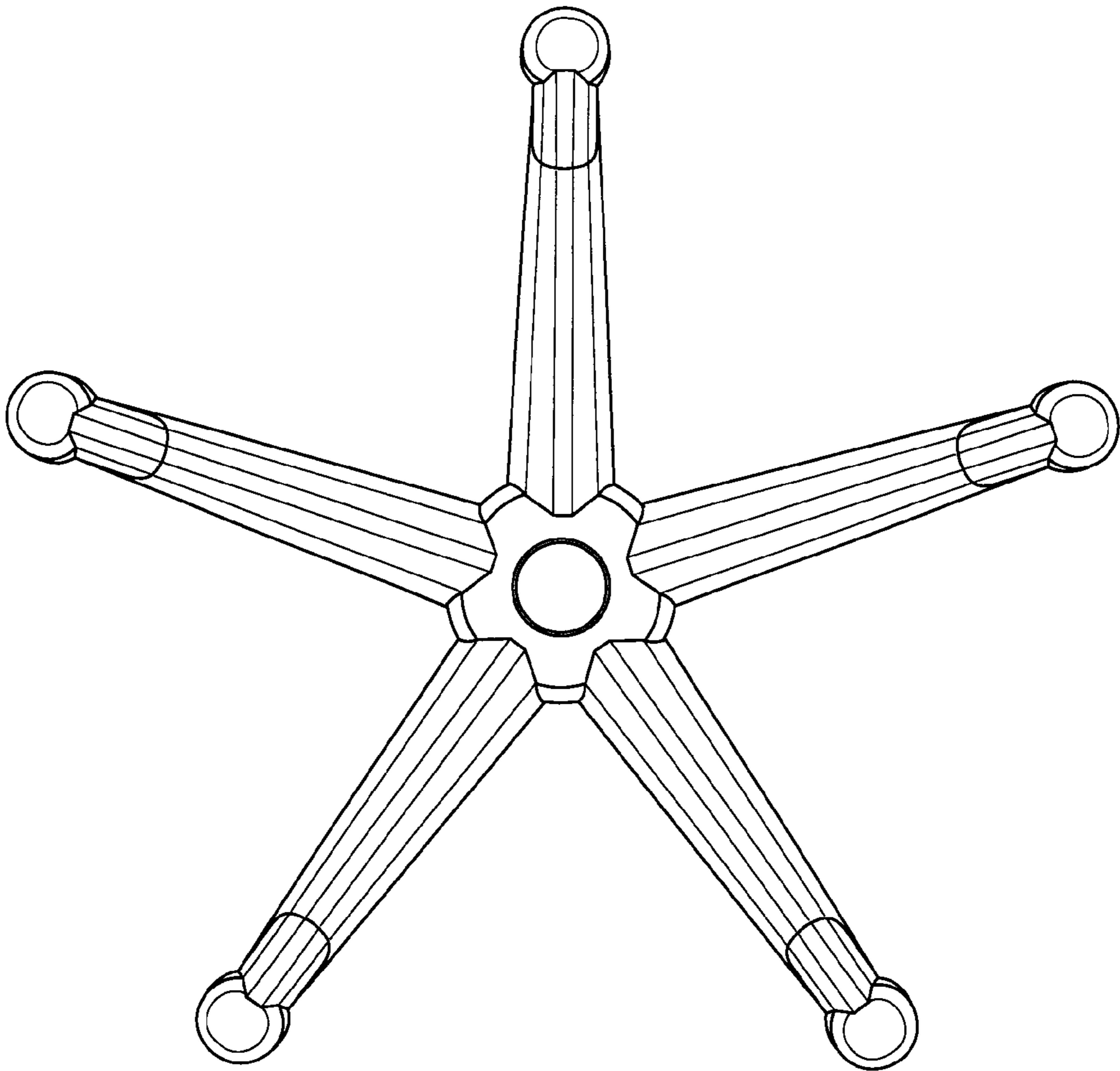


FIG. 2

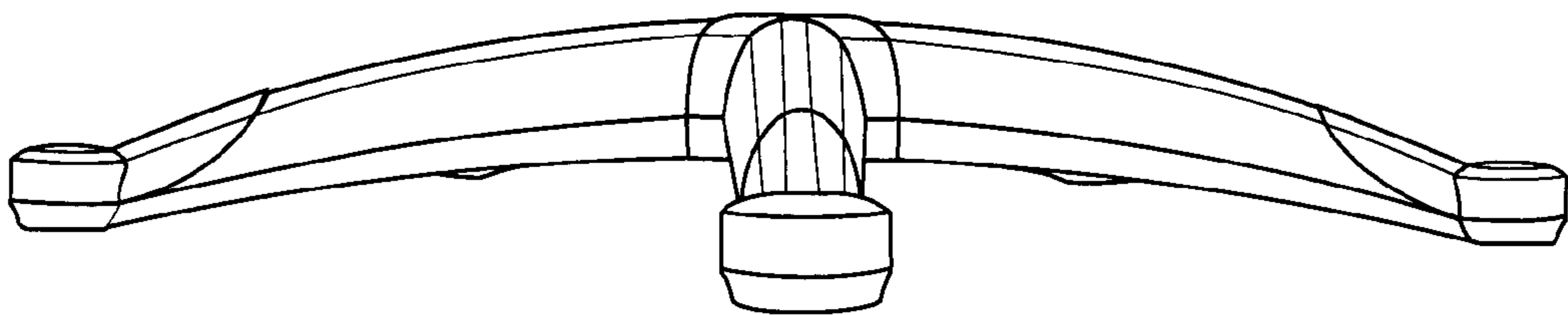


FIG. 3

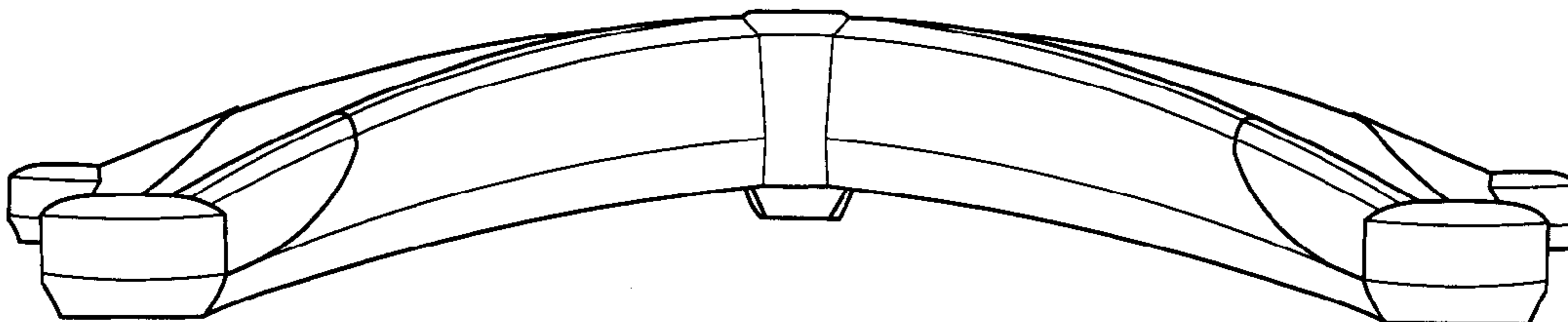


FIG. 4

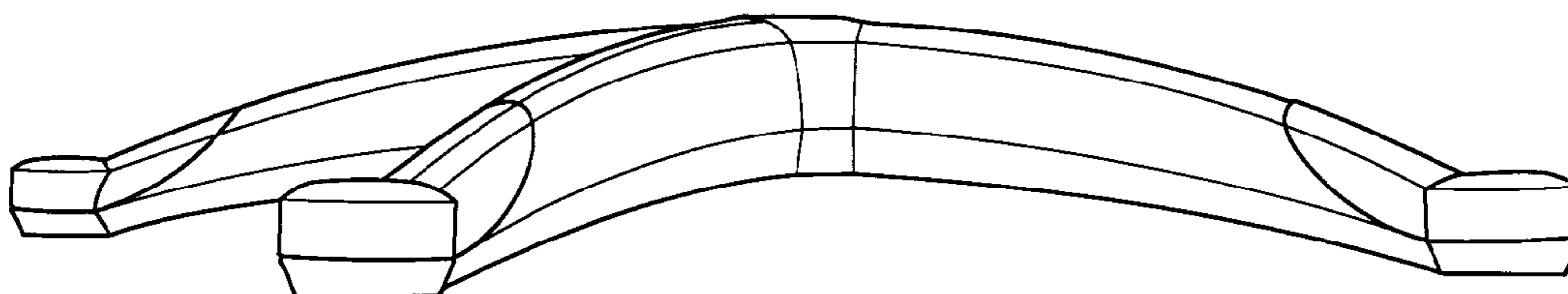


FIG. 5

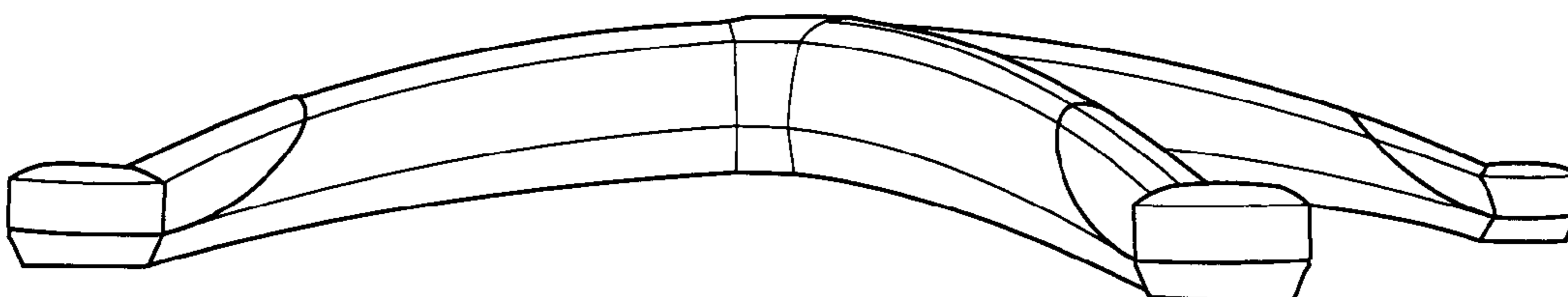


FIG. 6