



US00D525461S

(12) **United States Design Patent**  
**Egger**

(10) **Patent No.:** **US D525,461 S**

(45) **Date of Patent:** **\*\* Jul. 25, 2006**

(54) **CHAIR BASE**

(75) Inventor: **Julien Egger**, Santa Monica, CA (US)

(73) Assignee: **True Seating Concepts, LLC** (MU)

(\*\*) Term: **14 Years**

(21) Appl. No.: **29/229,290**

(22) Filed: **May 6, 2005**

(51) **LOC (8) Cl.** ..... **06-06**

(52) **U.S. Cl.** ..... **D6/498; D6/366**

(58) **Field of Classification Search** ..... D6/334-335,  
D6/364, 365, 367, 498, 500-502; 248/188,  
248/188.1, 188.7, 188.8, 188.9; 297/358,  
297/344.18, 411.2, 411.28, 463.1  
See application file for complete search history.

(56) **References Cited**

**U.S. PATENT DOCUMENTS**

|            |   |        |        |       |        |
|------------|---|--------|--------|-------|--------|
| D234,384 S | * | 2/1975 | Tacke  | ..... | D6/366 |
| D236,061 S | * | 7/1975 | Tacke  | ..... | D6/498 |
| D333,735 S | * | 3/1993 | Carter | ..... | D6/366 |
| D347,740 S | * | 6/1994 | Locher | ..... | D6/366 |
| D462,207 S | * | 9/2002 | Chen   | ..... | D6/498 |

|            |   |        |              |       |        |
|------------|---|--------|--------------|-------|--------|
| D477,925 S | * | 8/2003 | Lucci et al. | ..... | D6/366 |
| D479,926 S | * | 9/2003 | Chi          | ..... | D6/498 |
| D487,642 S | * | 3/2004 | Lucci et al. | ..... | D6/366 |
| D508,805 S | * | 8/2005 | Cvek         | ..... | D6/498 |
| D508,806 S | * | 8/2005 | Egger        | ..... | D6/498 |

\* cited by examiner

*Primary Examiner*—Mimosa De

(74) *Attorney, Agent, or Firm*—Morland C. Fischer

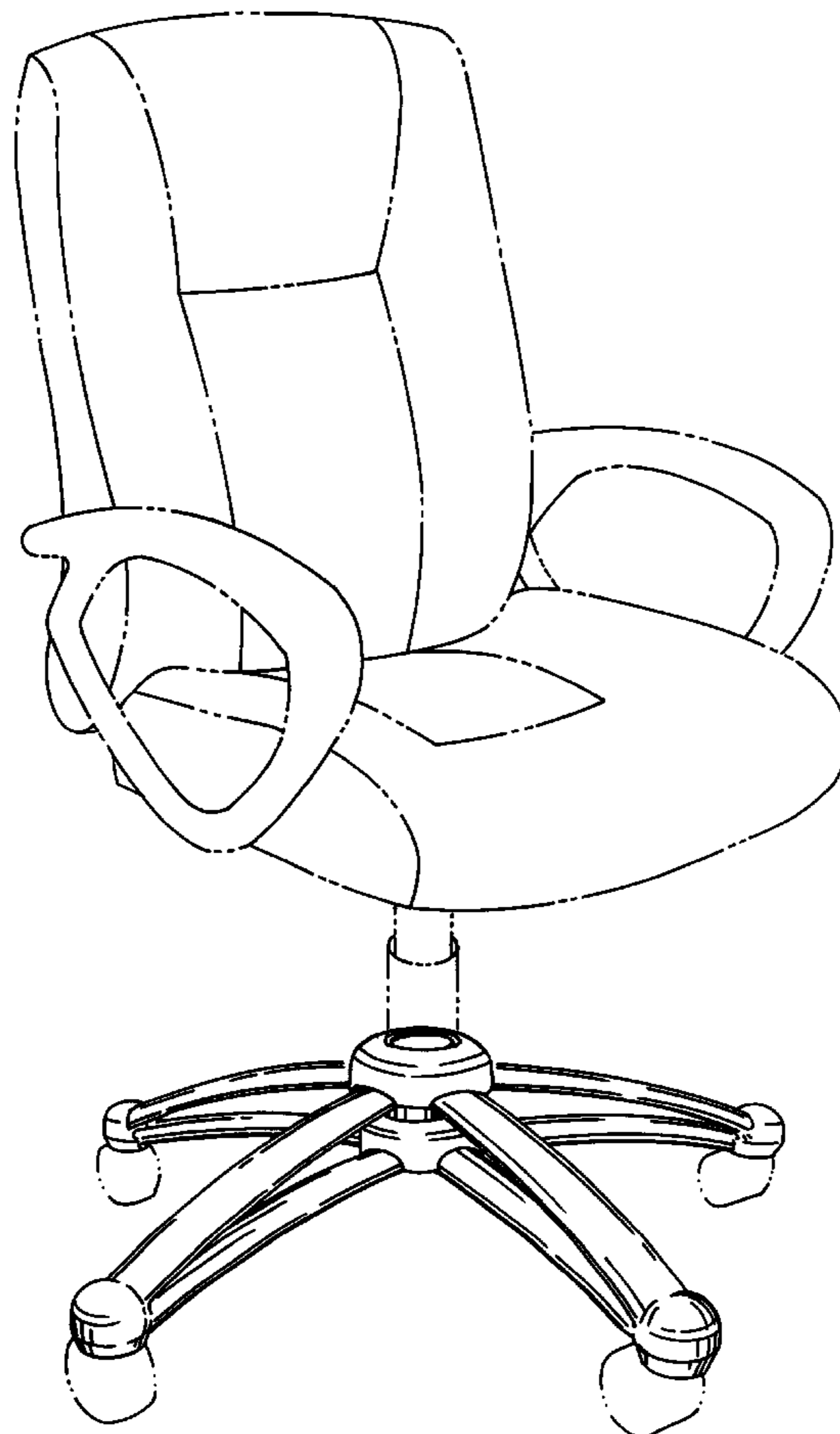
(57) **CLAIM**

The ornamental design for a chair base, as shown and described.

**DESCRIPTION**

FIG. 1 is a perspective view showing the top, opposite sides and front of a chair base which forms my new design, the broken lines of a chair and chair base parts being for illustrative purposes only and forming no part of my design; FIG. 2 is a top plan view thereof; FIG. 3 is a front elevational view thereof; FIG. 4 is a bottom plan view thereof; FIG. 5 is a rear elevational view thereof; FIG. 6 is a left side elevational view thereof; and, FIG. 7 is a right side elevational view thereof.

**1 Claim, 4 Drawing Sheets**



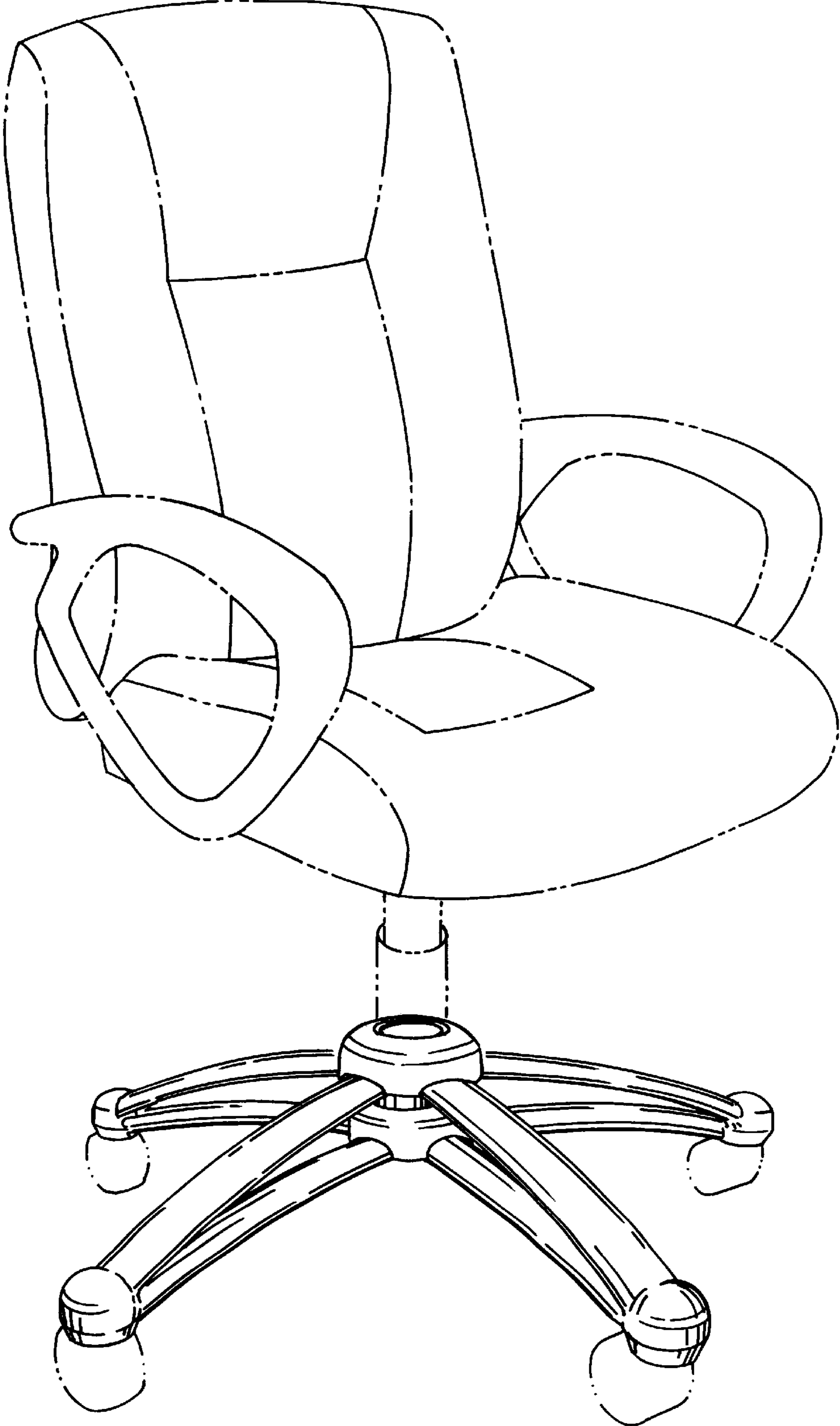


FIG. 1

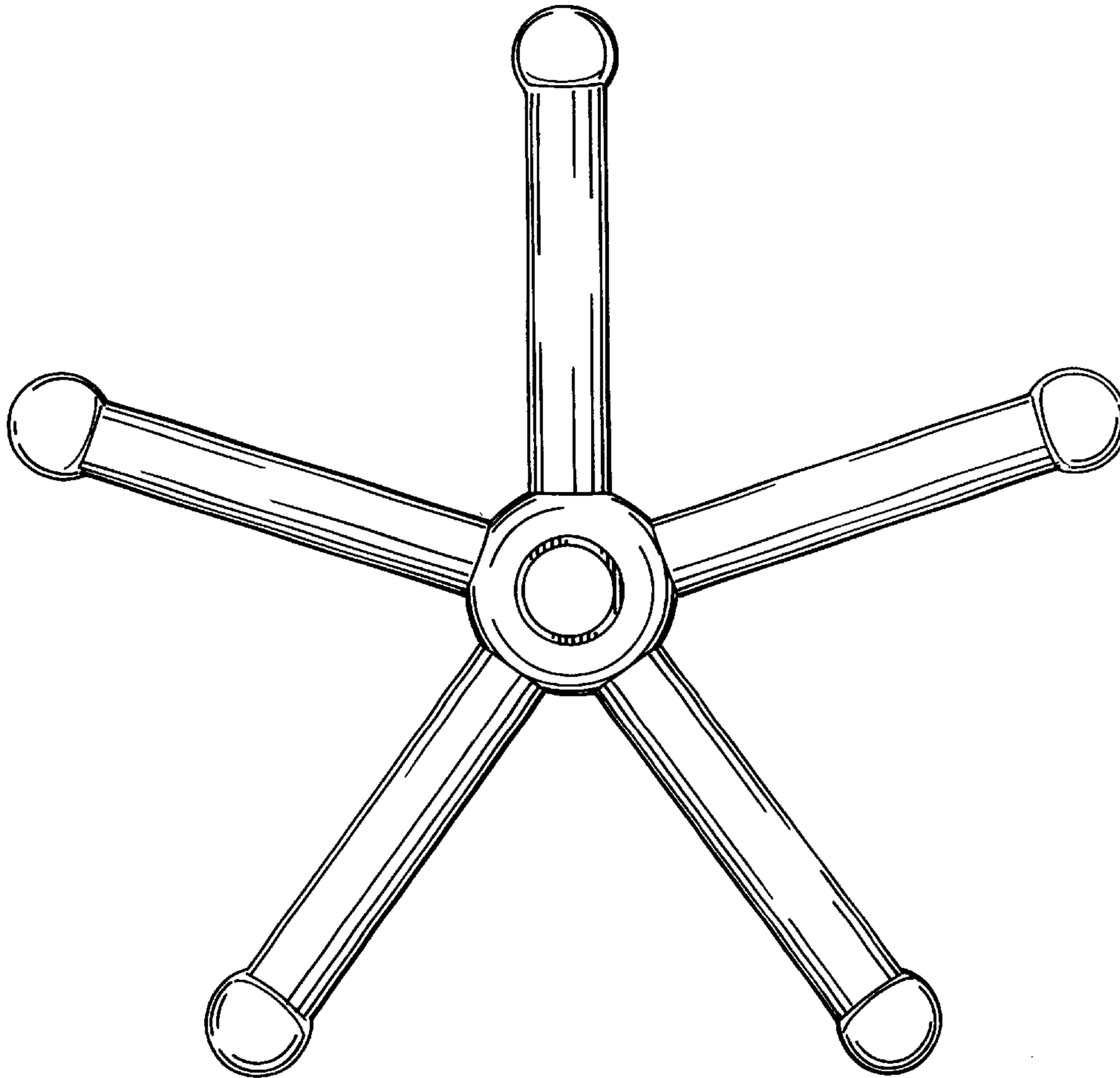


FIG. 2

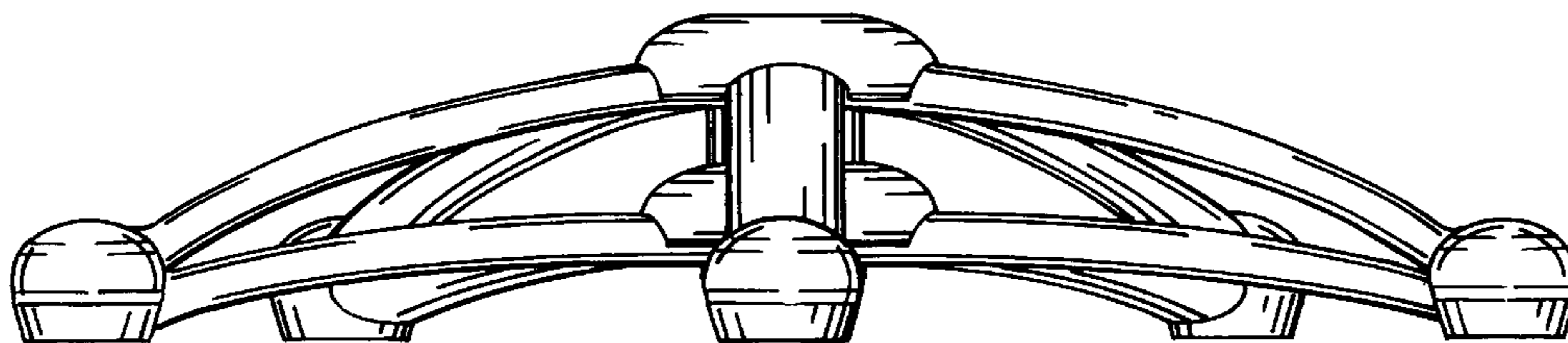


FIG. 3

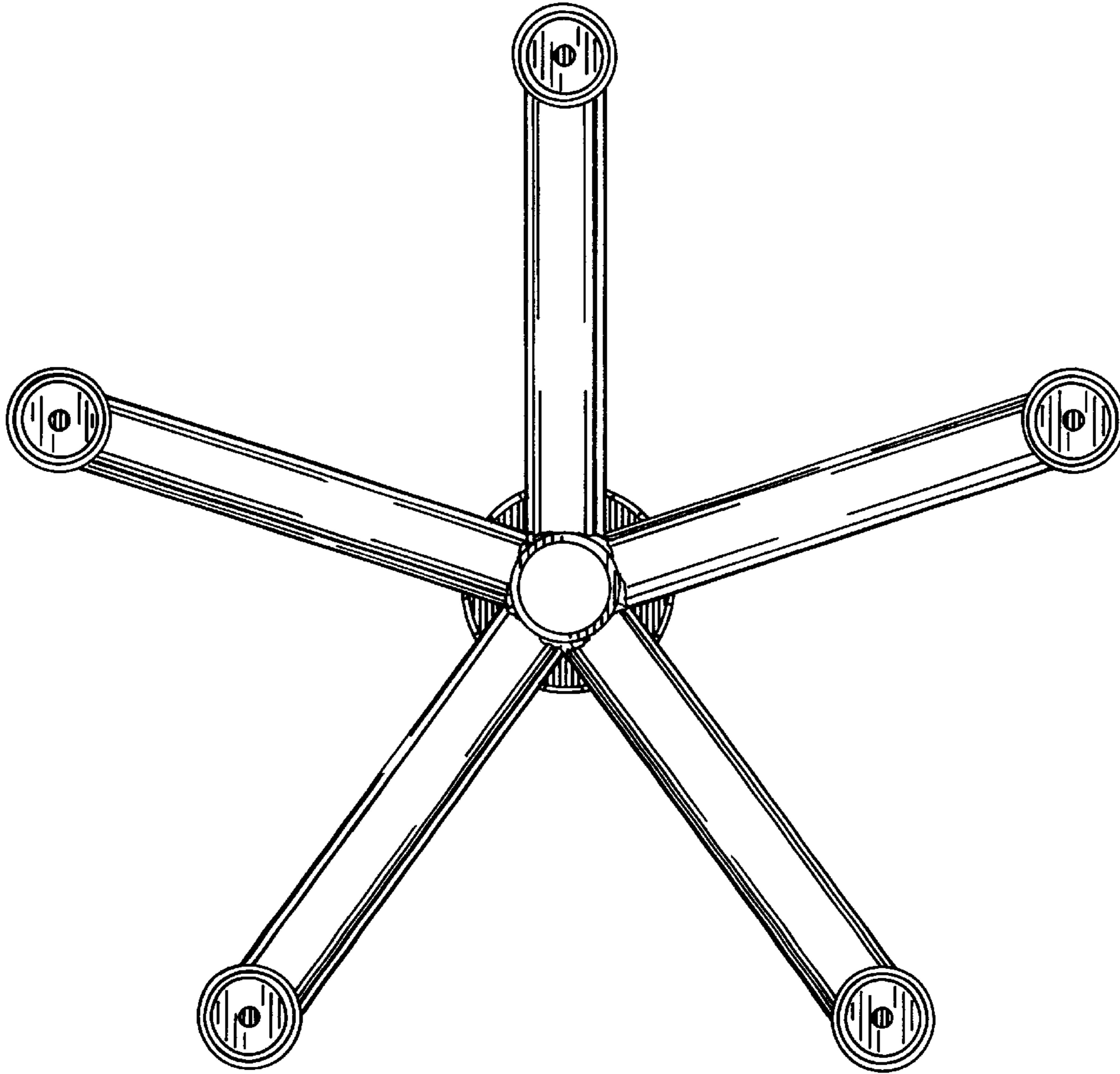


FIG. 4

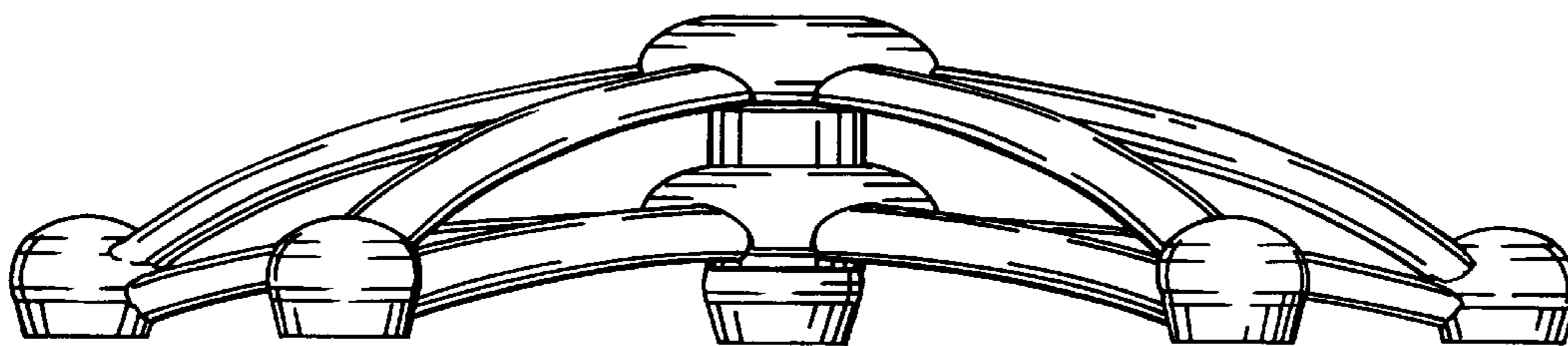


FIG. 5

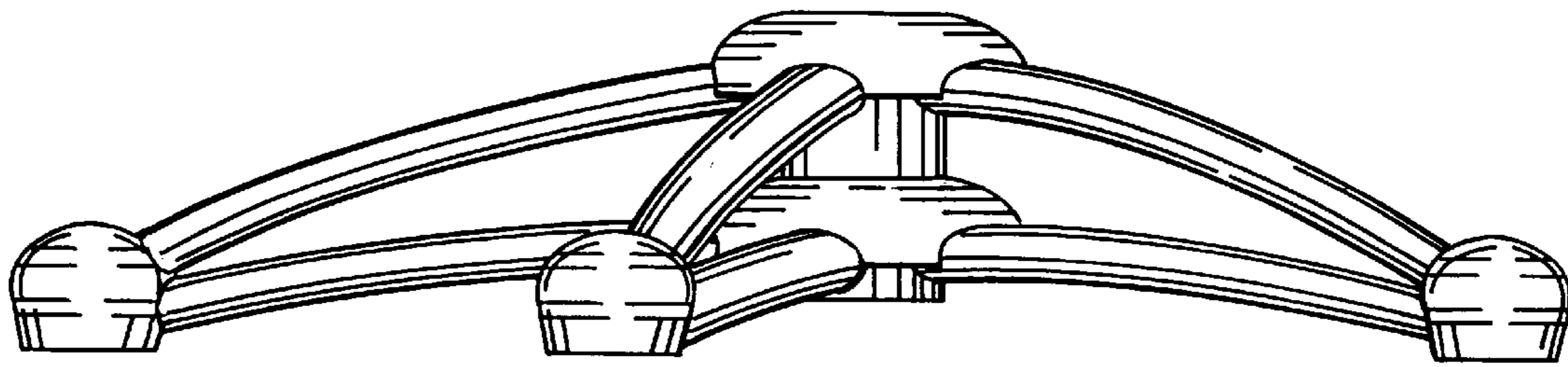


FIG. 6

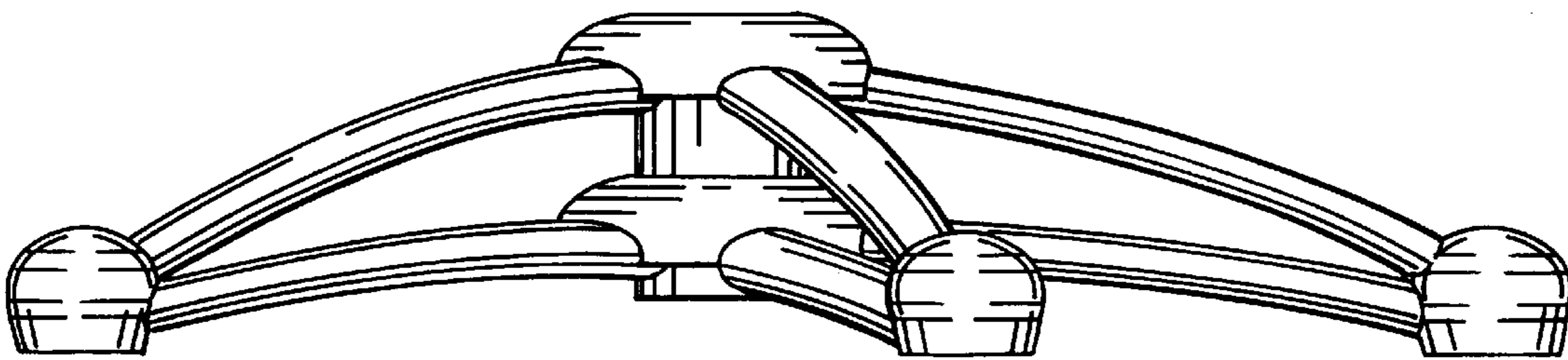


FIG. 7