



US00D525446S

(12) **United States Design Patent**  
**Farber**

(10) **Patent No.:** **US D525,446 S**

(45) **Date of Patent:** **\*\* Jul. 25, 2006**

(54) **STACKING CHAIR**

(75) Inventor: **Robert Farber**, Montreal (CA)

(73) Assignee: **GSC Technology Corporation**, St. Jean (CA)

(\*\*) Term: **14 Years**

(21) Appl. No.: **29/245,155**

(22) Filed: **Dec. 20, 2005**

(51) **LOC (8) Cl.** ..... **06-01**

(52) **U.S. Cl.** ..... **D6/375; D6/380**

(58) **Field of Classification Search** ..... D6/334,  
D6/335, 336, 374, 375, 376, 379, 380, 500-502;  
297/239, 411.4, 411.41, 445.1

See application file for complete search history.

(56) **References Cited**

**U.S. PATENT DOCUMENTS**

D181,945 S	*	1/1958	Saارين	.....	D6/375
D183,416 S	*	8/1958	Bellmann	.....	D6/375
D193,847 S	*	10/1962	Mason	.....	D6/375
D205,939 S	*	10/1966	Laverne et al.	.....	D6/375
D209,282 S	*	11/1967	Boyd et al.	.....	D6/375
D226,648 S	*	4/1973	Sebel et al.	.....	D6/375
D230,670 S	*	3/1974	Begge	.....	D6/375
D238,837 S	*	2/1976	Mulhauser	.....	D6/375
D239,234 S	*	3/1976	Gamble	.....	D6/375
D255,184 S	*	6/1980	Locher	.....	D6/375

D265,961 S	*	8/1982	Snodgrass	.....	D6/375
D358,514 S	*	5/1995	Lovegrove	.....	D6/380
D406,196 S		3/1999	Lyons		
D417,795 S		12/1999	Rashid		
D417,968 S		12/1999	Van Rhienen		
D422,805 S		4/2000	Smith		
D440,064 S		4/2001	Deacon		
D465,100 S		11/2002	Savini		
D471,729 S		3/2003	Glass et al.		
D488,631 S		4/2004	Newhouse		
D503,560 S		4/2005	Rowland et al.		

\* cited by examiner

*Primary Examiner*—Mimosa De

(74) *Attorney, Agent, or Firm*—Cook, Alex, McFarron, Manzo, Cummings & Mehler, Ltd.

(57) **CLAIM**

The ornamental design for the stacking chair, as shown and described.

**DESCRIPTION**

FIG. 1 is perspective view of the design of the present invention.

FIG. 2 is a rear view of the design shown in FIG. 1.

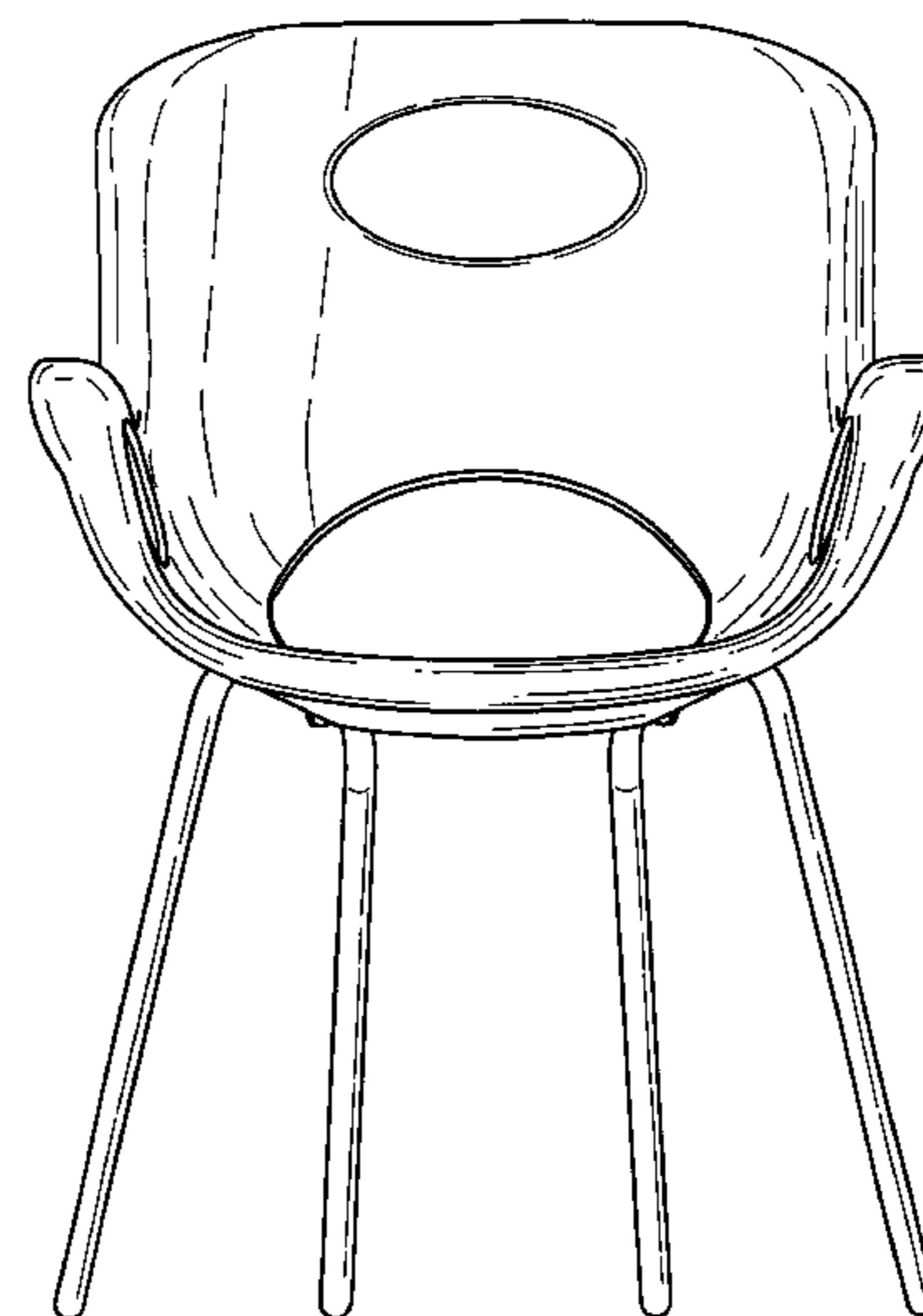
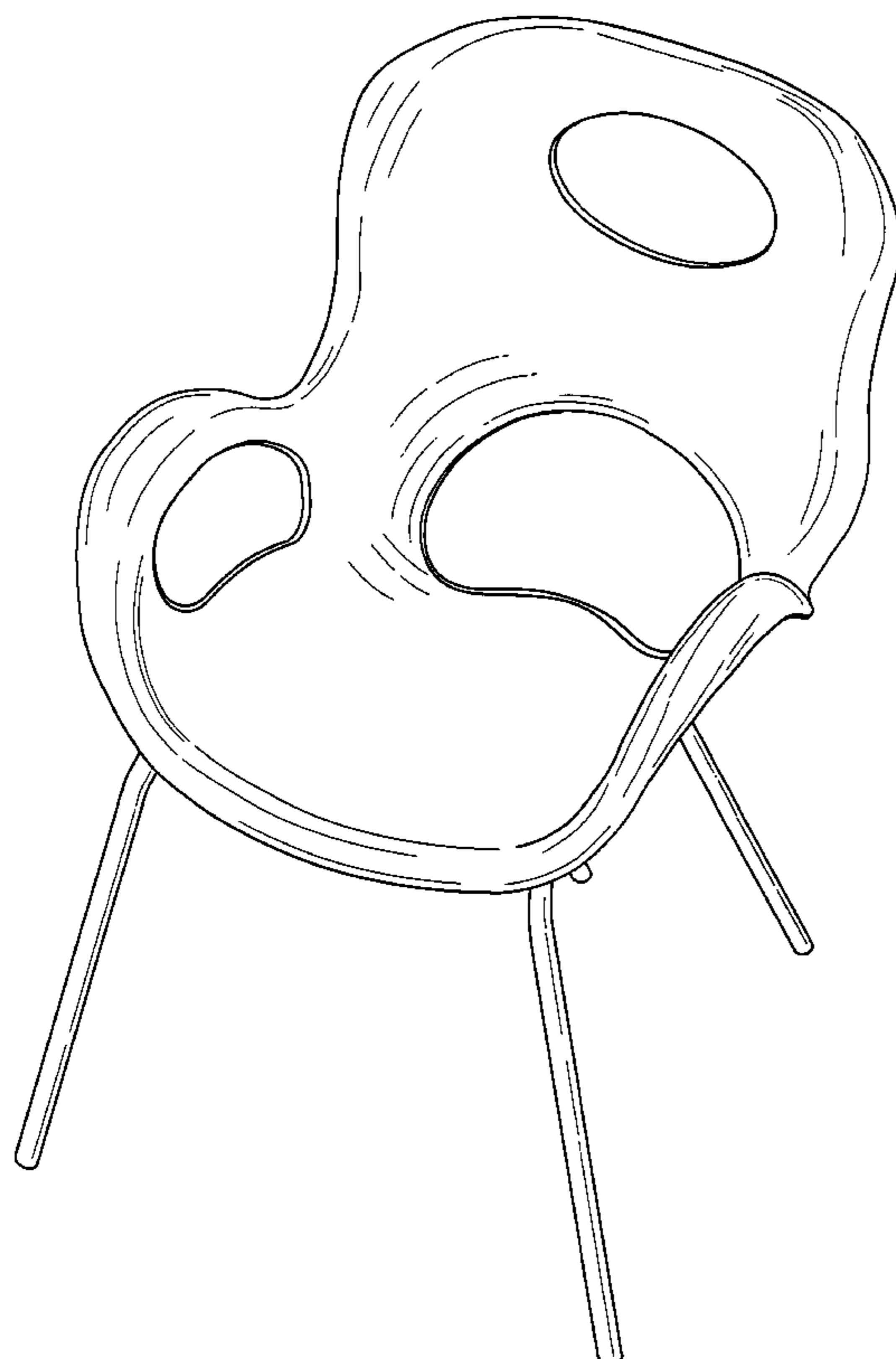
FIG. 3 is a front view of the design shown in FIG. 1.

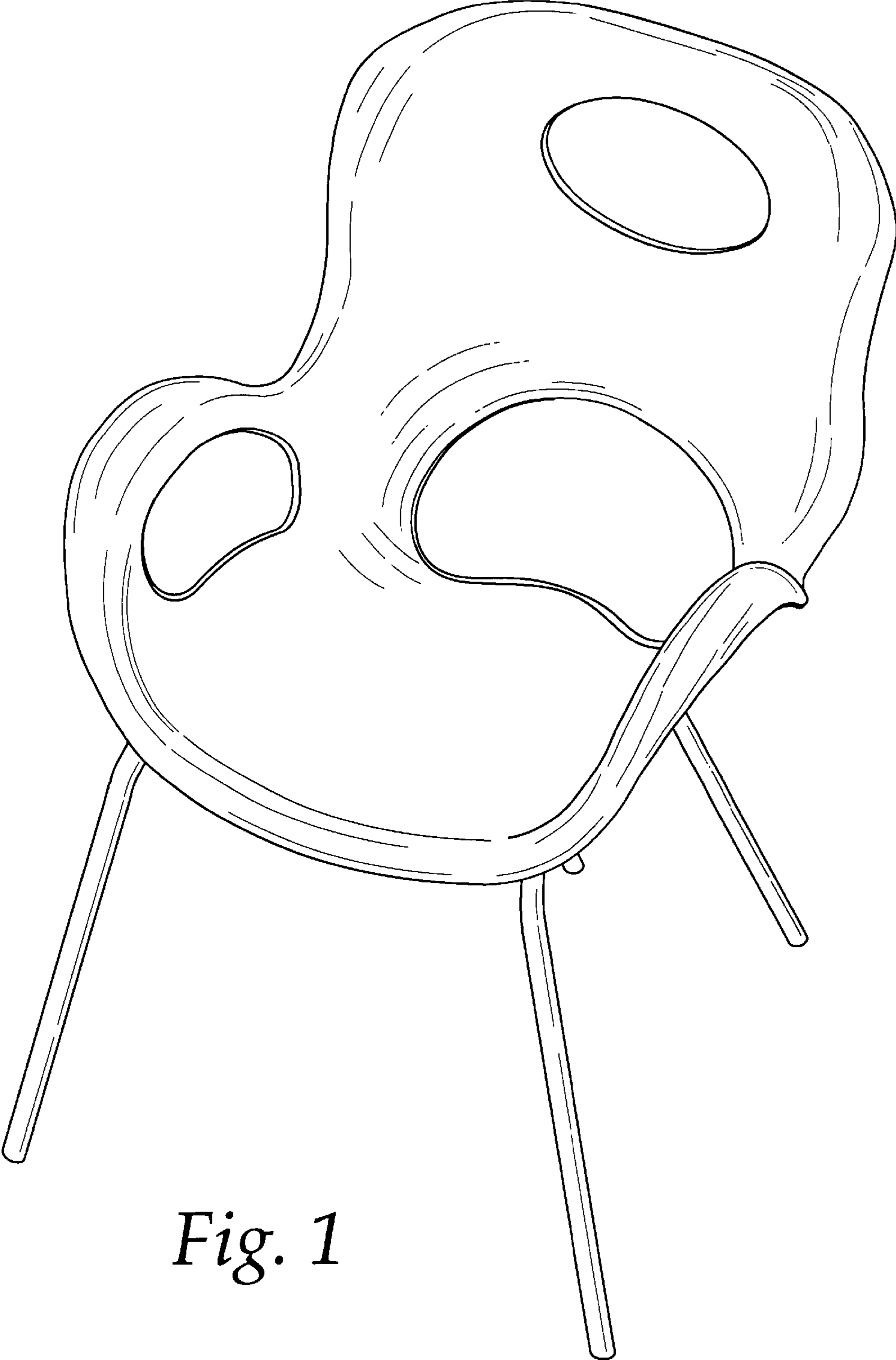
FIG. 4 is a right side view of the design shown in FIG. 1 with the left side being a mirror image thereof.

FIG. 5 is a bottom view of the design shown in FIG. 1; and,

FIG. 6 is a top view of the design shown in FIG. 1.

**1 Claim, 4 Drawing Sheets**





*Fig. 1*

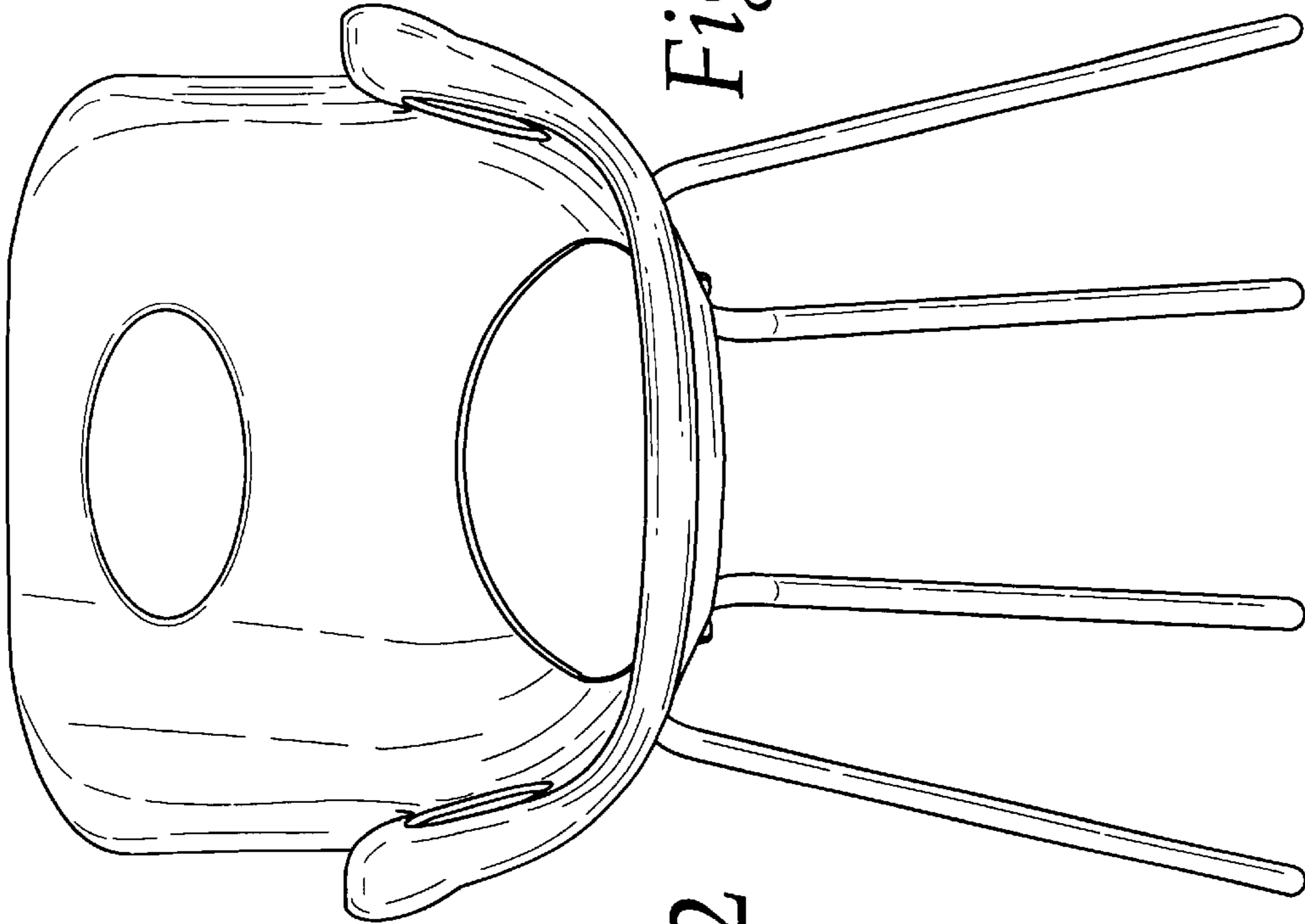


Fig. 3

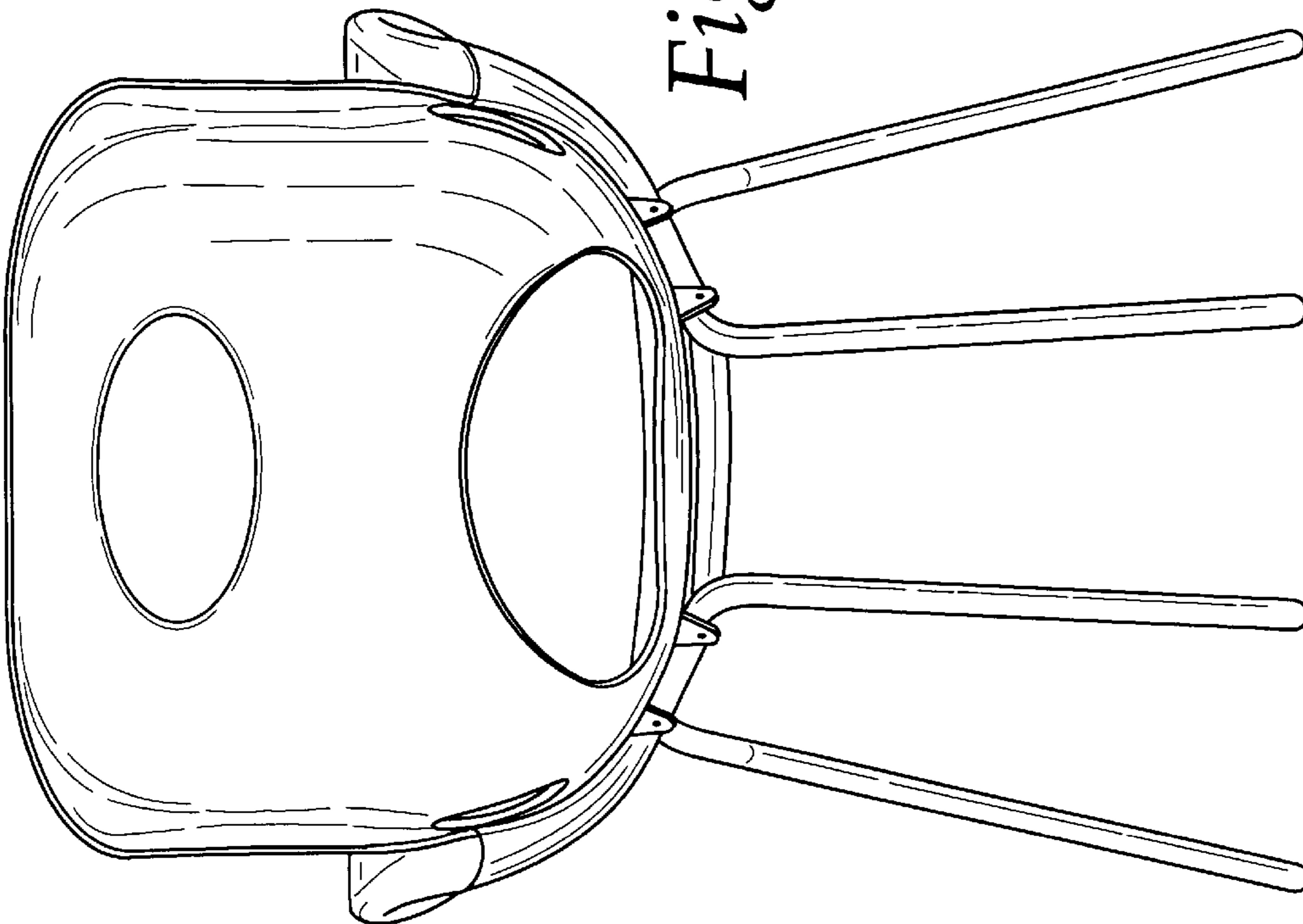
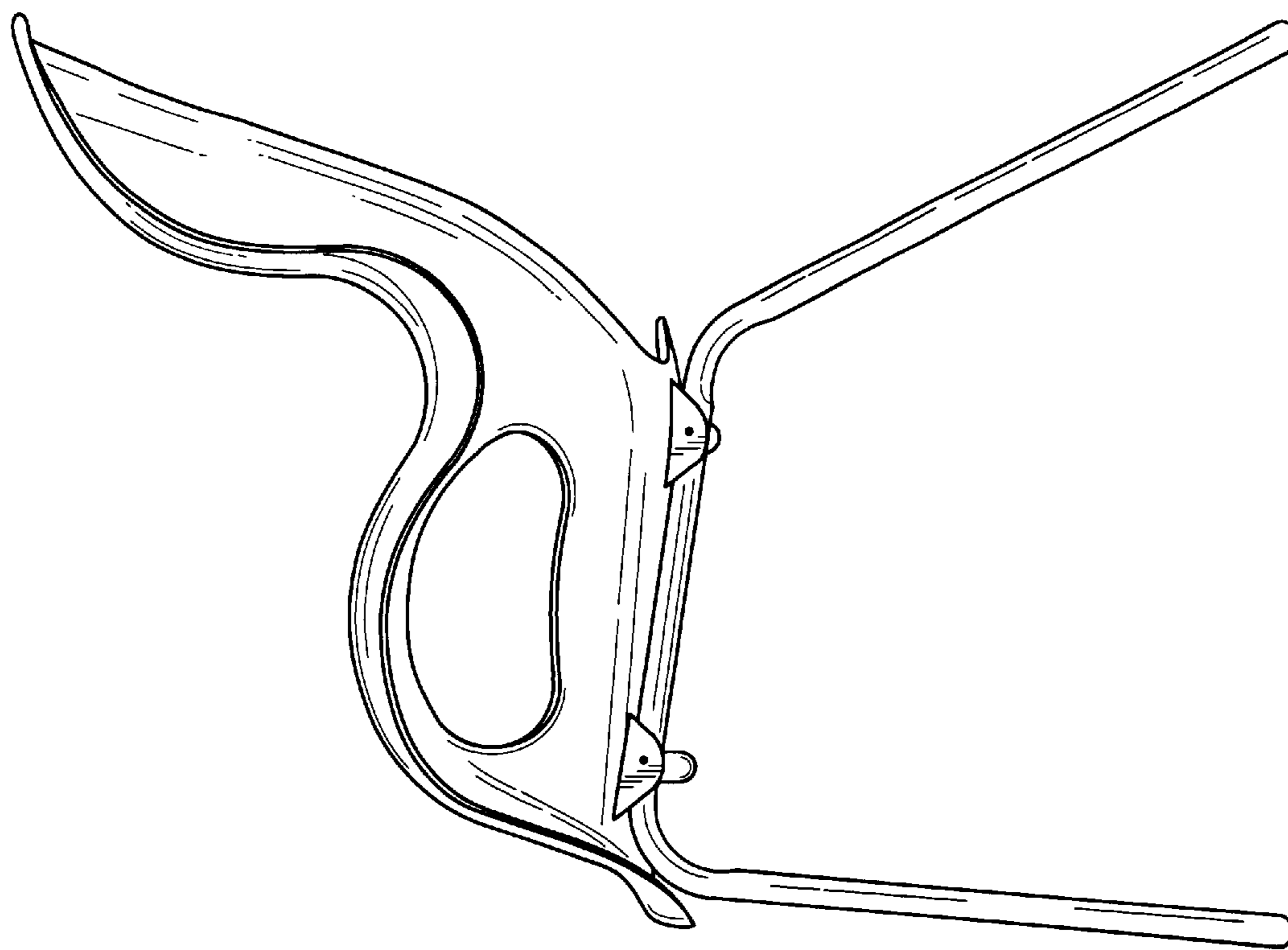


Fig. 2



*Fig. 4*

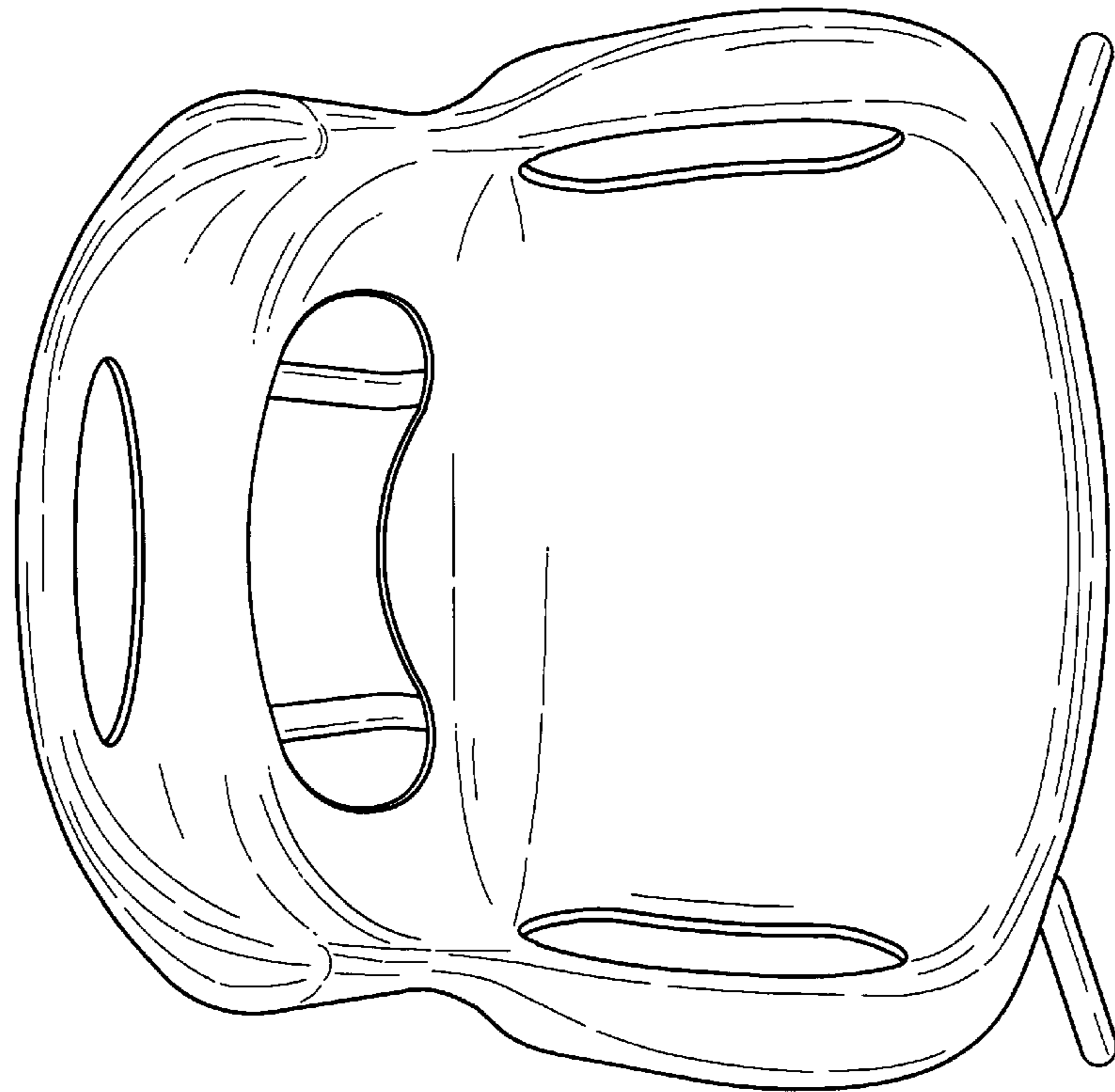


Fig. 6

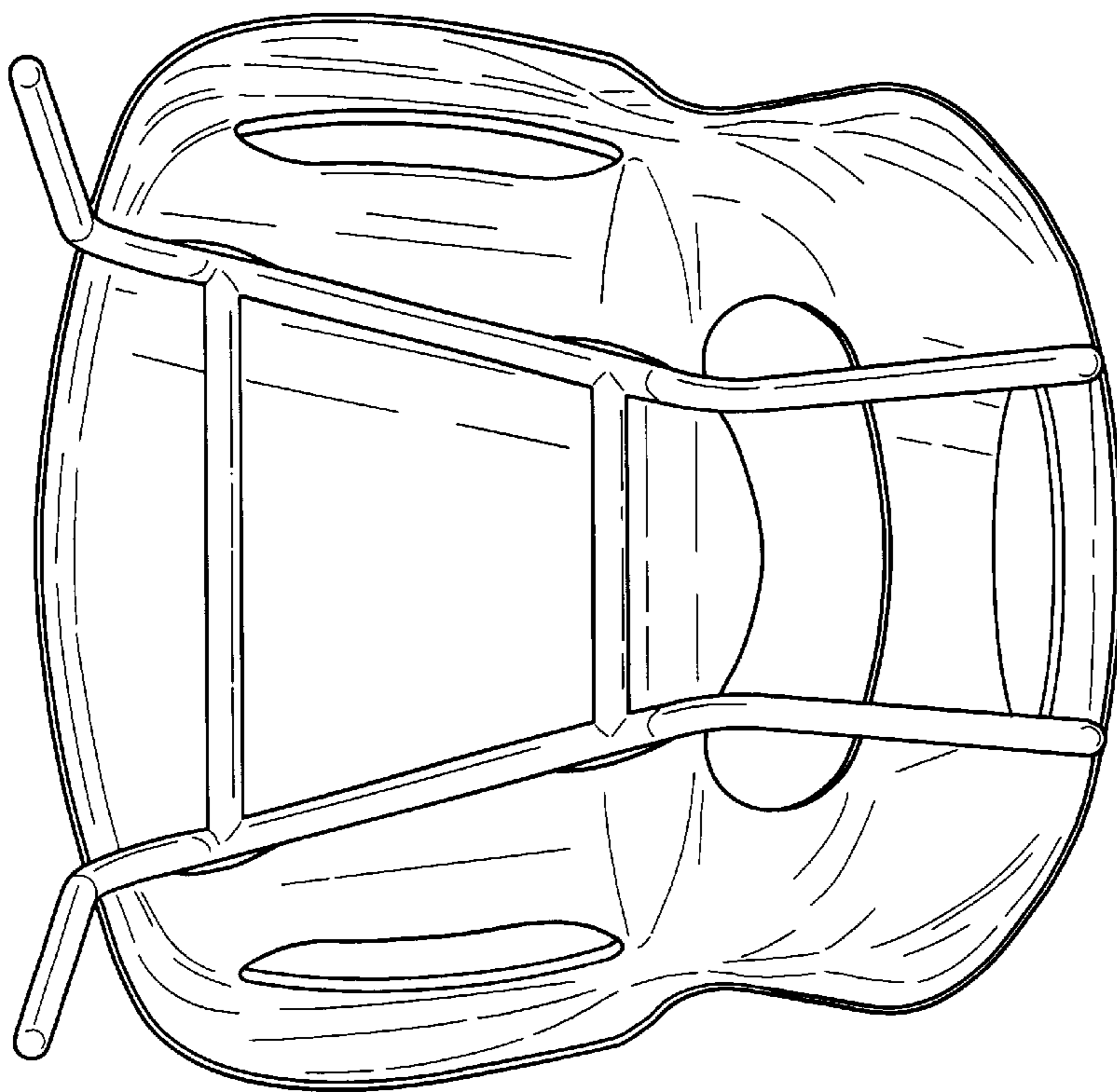


Fig. 5



US00D525446C1

(12) **EX PARTE REEXAMINATION CERTIFICATE** (6419th)  
**United States Patent**  
**Farber**

(10) **Number:** **US D525,446 C1**  
(45) **Certificate Issued:** **Sep. 2, 2008**

(54) **STACKING CHAIR**

(75) Inventor: **Robert Farber**, Montreal (CA)

(73) Assignee: **GSC Technology Corporation**, St. Jean, Quebec (CA)

**Reexamination Request:**

No. 90/008,434, Jan. 16, 2007

**Reexamination Certificate for:**

Patent No.: **Des. 525,446**  
Issued: **Jul. 25, 2006**  
Appl. No.: **29/245,155**  
Filed: **Dec. 20, 2005**

- (51) **LOC (8) Cl.** ..... **06-01**
- (52) **U.S. Cl.** ..... **D6/375; D6/380**
- (58) **Field of Classification Search** ..... None  
See application file for complete search history.

(56) **References Cited**

**PUBLICATIONS**

Extracted image of a chair from Davida J. Sidrane, "Homefinds—Brighten up for Summer," Women's Day, Aug. 5, 2003, at 28.\*

Extracted image of three stacked chairs from Umbra's 1999 Supplement Catalog, at 30.\*

Extracted image of preliminary sketches from Phil Patton, "Craft: From Eureka to Your House," New York Times Magazine, Dec. 13, 1998, at 100.\*

Extracted image of a chair from Umbra's 1999 Supplement Catalog, at 30.\*

Extracted image of a chair from "Coolroom," Cosmo girl!, Jun./Jul. 2001, at 122.\*

Extracted image of a chair from "As Seen on TV," House and Garden, Sep. 2003, at 46.\*

Extracted image of a chair from Mark Borden, "Umbra: When Only the Hippest Trash Can Will Do," Fortune, Mar. 6, 2000 at 82.\*

Extracted image of a chair from "Wise Buys," InStyle, Jul. 2001.\*

Extracted image of three stacked chairs from a Mailing from Umbra to Umbra's customers of May 17, 2000.\*

Extracted image of a prototype chair from Phil Patton, "Craft: From Eureka to Your House," New York Times Magazine, Dec. 13, 1998, at 97.\*

Extracted image of a prototype chair from Phil Patton, "Craft: From Eureka to Your House," New York Times Magazine, Dec. 13, 1998, at 98.\*

Extracted image of a prototype chair from Phil Patton, "Craft: From Eureka to Your House," New York Times Magazine, Dec. 13, 1998, at 98.\*

Extracted image of a chair from "Perfekte Popgrotte S.30," H.O.M.E. (Germany), Jul./Aug. 2003.\*

Extracted image of a chair from Natalie Warady, "The Best Seats in the House . . . don't cost a fortune, even if you buy six," Budget Living, Oct./Nov. 2002, at 36.\*

Extracted image of a chair from a Mailing from Umbra to Umbra's customers of May 17, 2000.\*

Extracted image of a chair from "finishing touches," Parents, Oct. 2003, at 232.\*

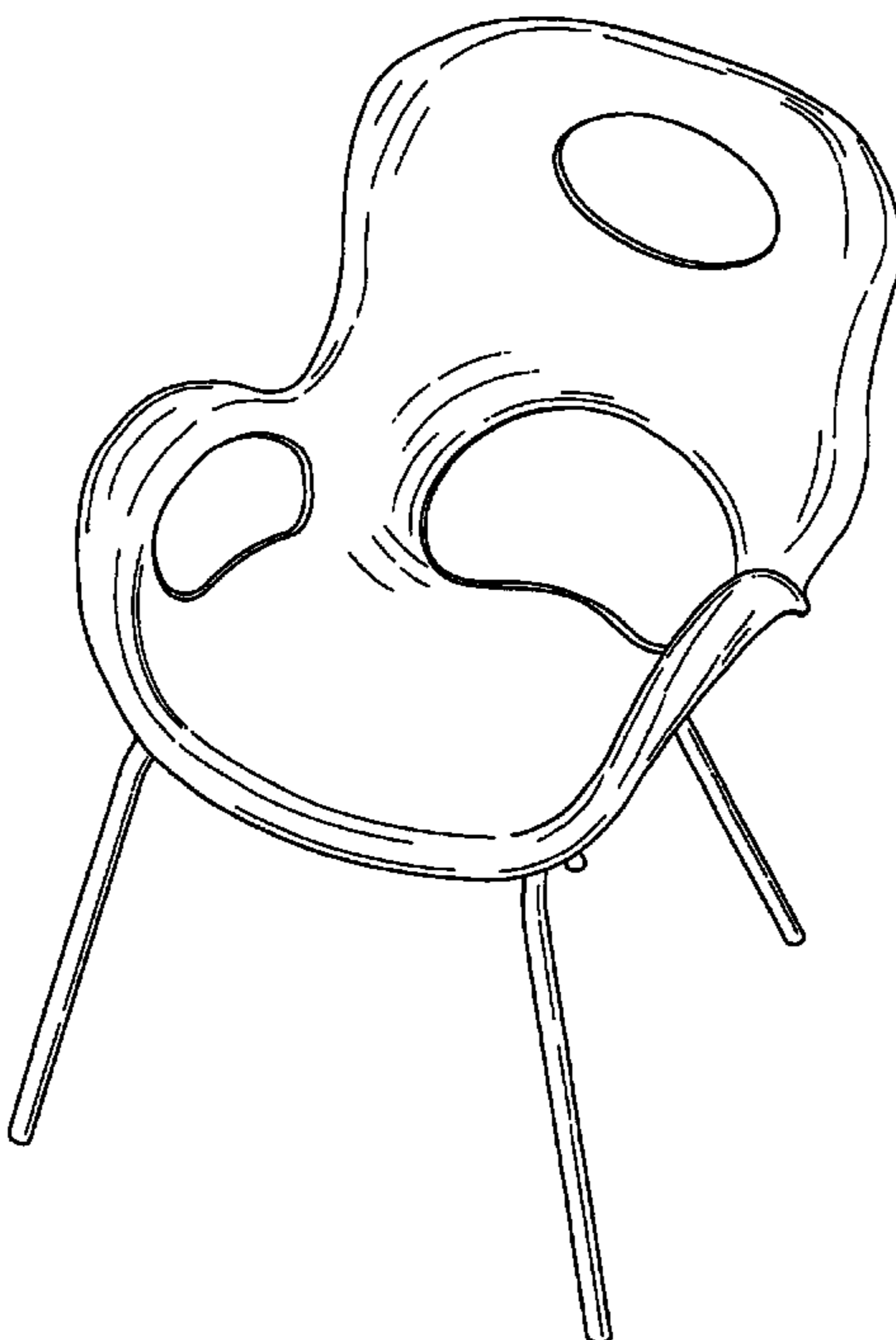
Extracted image of a chair from Hilary Irlam-Kelley, "oh my!," flare&co., Apr. 2003, at 205.\*

Extracted image of a chair from a Mailing from Umbra to Umbra's customers of May 17, 2000.\*

Extracted image of a chair from a Mailing from Umbra to Umbra's customers of May 17, 2000.\*

\* cited by examiner

*Primary Examiner*—Robert M. Spear



**EX PARTE  
REEXAMINATION CERTIFICATE  
ISSUED UNDER 35 U.S.C. 307**

The patentability of the sole claim is confirmed.

The ornamental design for the stacking chair, as shown and described.

AS A RESULT OF REEXAMINATION, IT HAS BEEN DETERMINED THAT:

\* \* \* \* \*