



US00D525443S

(12) **United States Design Patent**
Takahashi

(10) **Patent No.:** **US D525,443 S**
(45) **Date of Patent:** **** Jul. 25, 2006**

(54) **DENTAL CHAIR**

(75) Inventor: **Tohru Takahashi**, Osaka (JP)

(73) Assignee: **Takara Belmont Corporation**, Osaka (JP)

(**) Term: **14 Years**

(21) Appl. No.: **29/195,504**

(22) Filed: **Dec. 15, 2003**

(30) **Foreign Application Priority Data**

Jul. 15, 2003 (JP) 2003-020439

(51) **LOC (8) Cl.** **06-01**

(52) **U.S. Cl.** **D6/367**

(58) **Field of Classification Search** D6/345,
D6/335, 360, 361, 365, 367, 379, 500-502;
D24/178, 183; 297/316, 330, 391, 344.15,
297/344.17

See application file for complete search history.

(56) **References Cited**

U.S. PATENT DOCUMENTS

3,804,460 A * 4/1974 Leffler 297/330
3,866,973 A * 2/1975 Heubeck 297/316
3,874,728 A * 4/1975 Welland 297/330
D237,327 S * 10/1975 Collins D6/361
D238,019 S * 12/1975 Leffter et al. D6/361
D238,317 S * 1/1976 Schoeller et al. D6/361
D241,386 S * 9/1976 Lawrence D6/361
3,984,146 A * 10/1976 Krestel et al. 297/330
D268,149 S * 3/1983 Case D6/361
4,415,203 A * 11/1983 Cawley 297/391

5,190,349 A * 3/1993 Austin et al. 297/316
5,214,360 A * 5/1993 Gonser et al. 318/551
5,267,778 A * 12/1993 Krebs et al. 297/330
D347,946 S * 6/1994 Nordstrom et al. D6/367
D361,438 S * 8/1995 Spencer et al. D6/367
D378,961 S * 4/1997 Nordstrom et al. D6/367
D420,225 S * 2/2000 Lamb et al. D6/367
D462,189 S * 9/2002 Brockway et al. D6/367
6,814,409 B1 * 11/2004 Jackson 297/330
2002/0149248 A1 * 10/2002 Jackson 297/330

* cited by examiner

Primary Examiner—Mimosa De

(74) *Attorney, Agent, or Firm*—Birch Stewart Kolasch & Birch LLP

(57) **CLAIM**

The ornamental design for a dental chair, as shown and described.

DESCRIPTION

FIG. 1 is a front view of a dental chair showing my new design;

FIG. 2 is a rear view thereof;

FIG. 3 is a left side elevational view thereof;

FIG. 4 is a right side elevational view thereof;

FIG. 5 is a top plan view thereof;

FIG. 6 is a bottom view thereof;

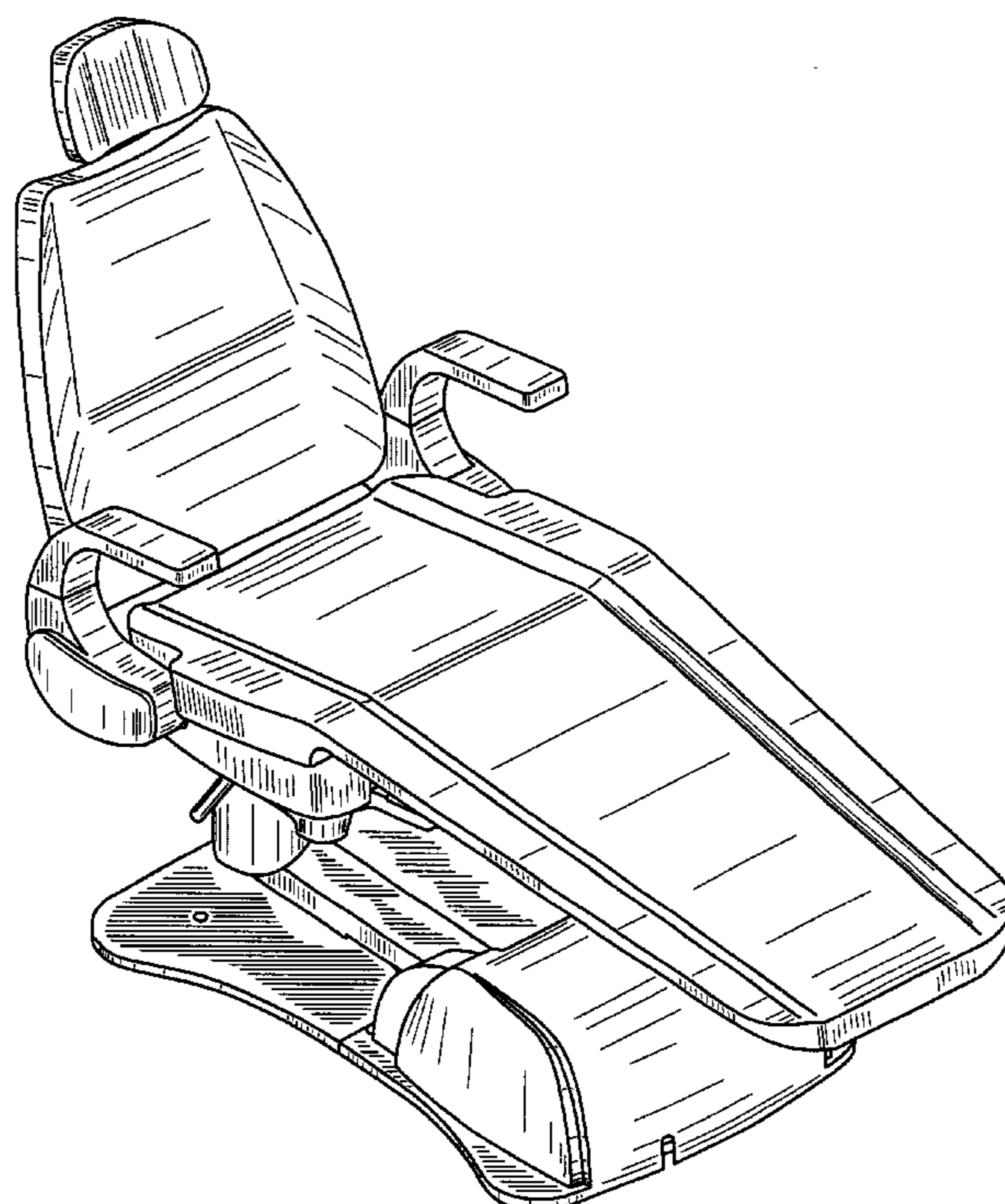
FIG. 7 is a front perspective view thereof;

FIG. 8 is a rear perspective view thereof;

FIG. 9 is a front perspective view with the chair elevated; and,

FIG. 10 is a rear perspective view with the chair elevated.

1 Claim, 10 Drawing Sheets



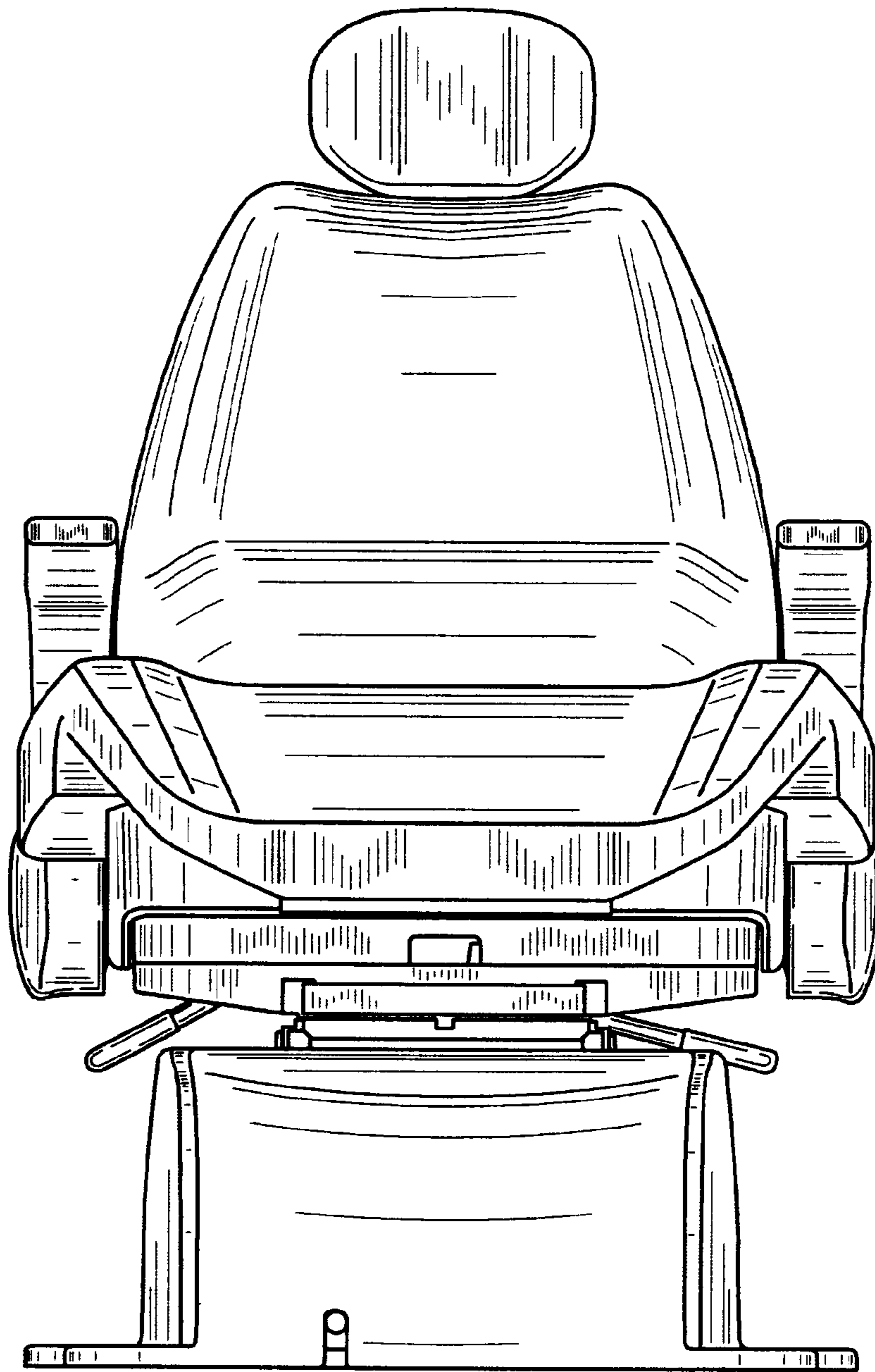


FIG. 1

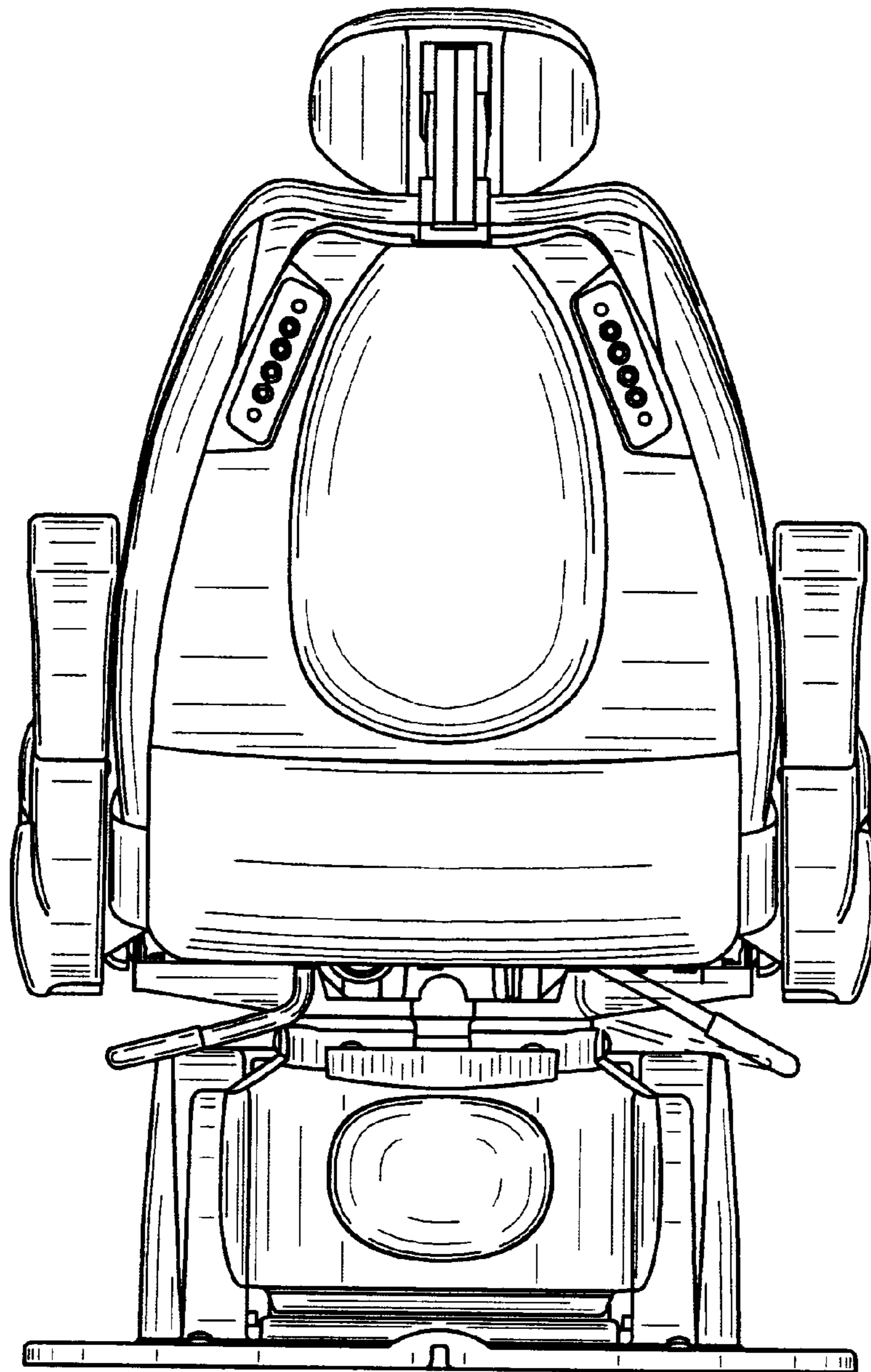
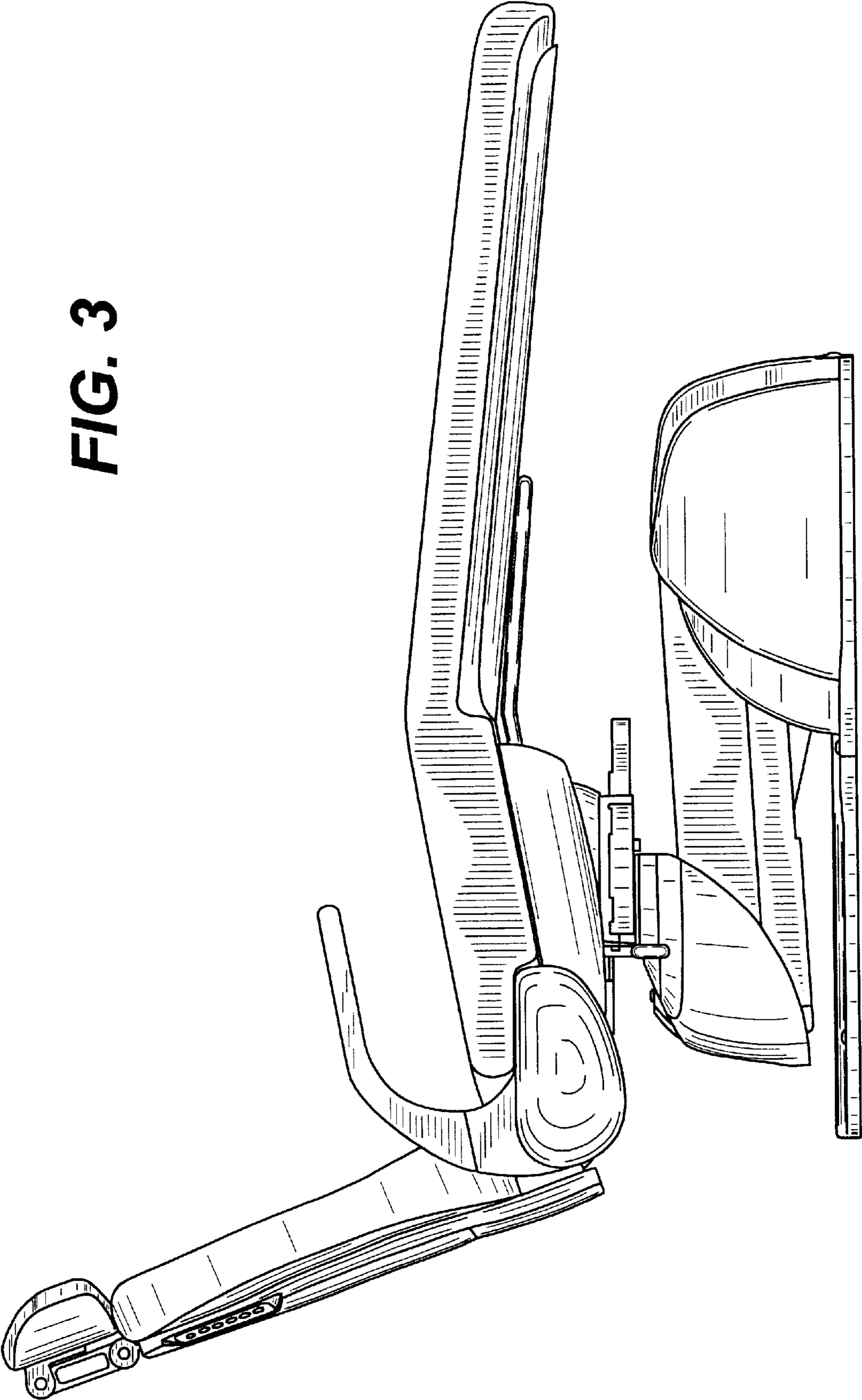


FIG. 2

FIG. 3



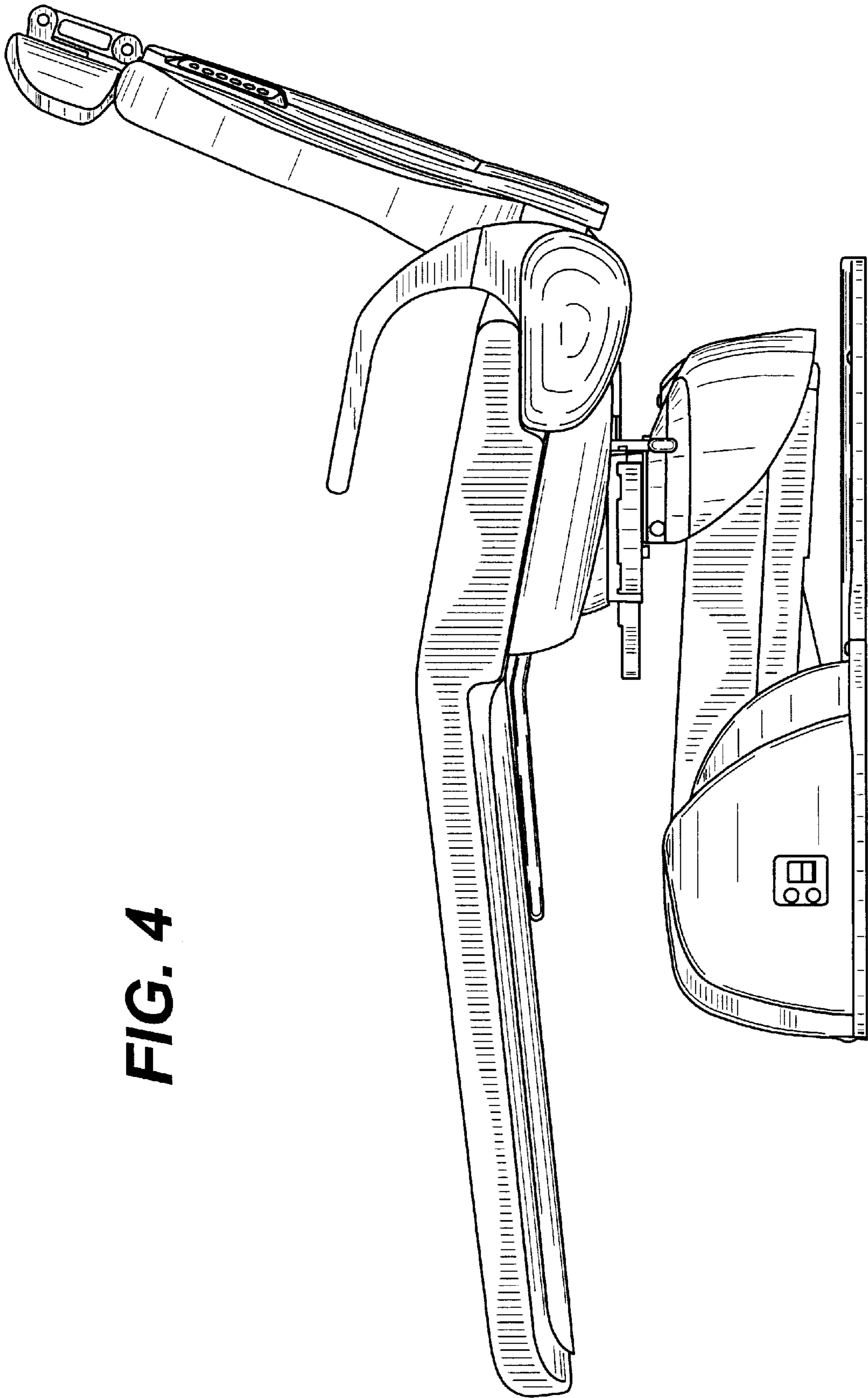


FIG. 4

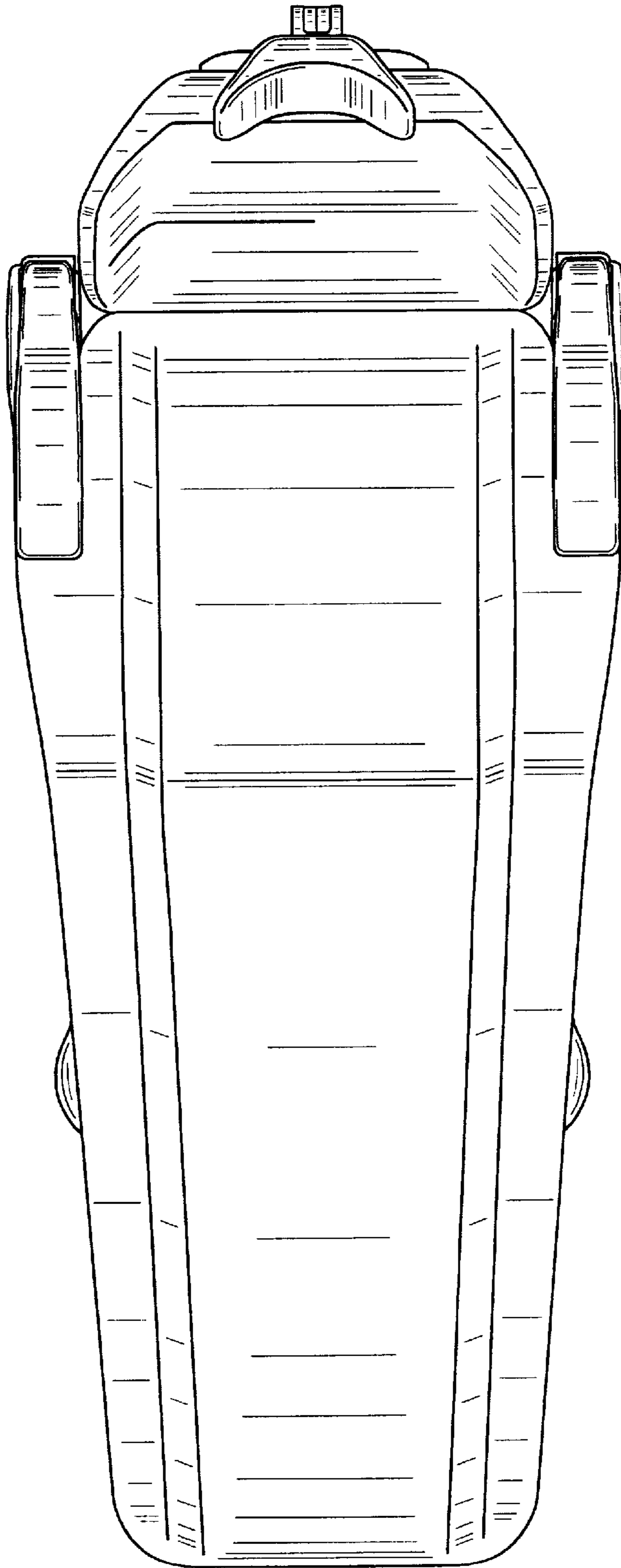


FIG. 5

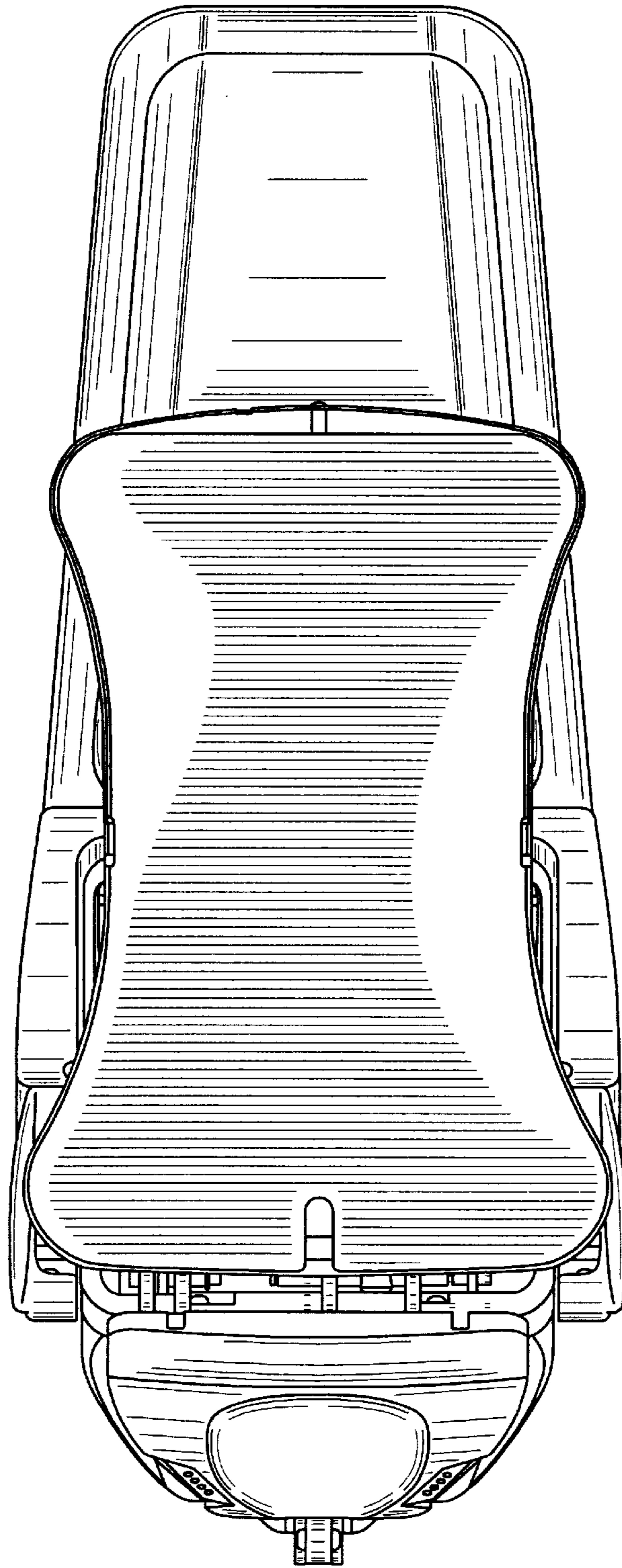


FIG. 6

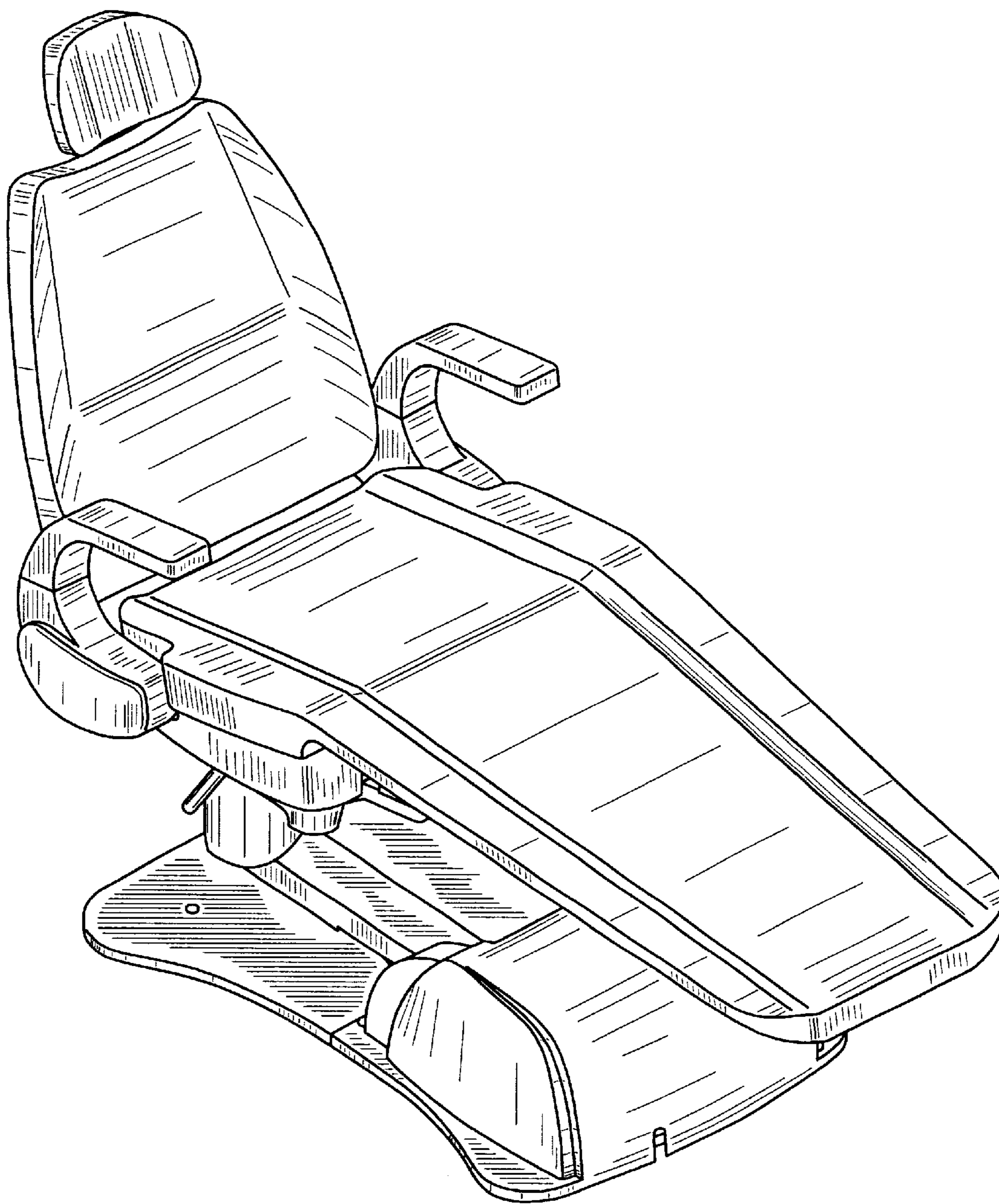


FIG. 7

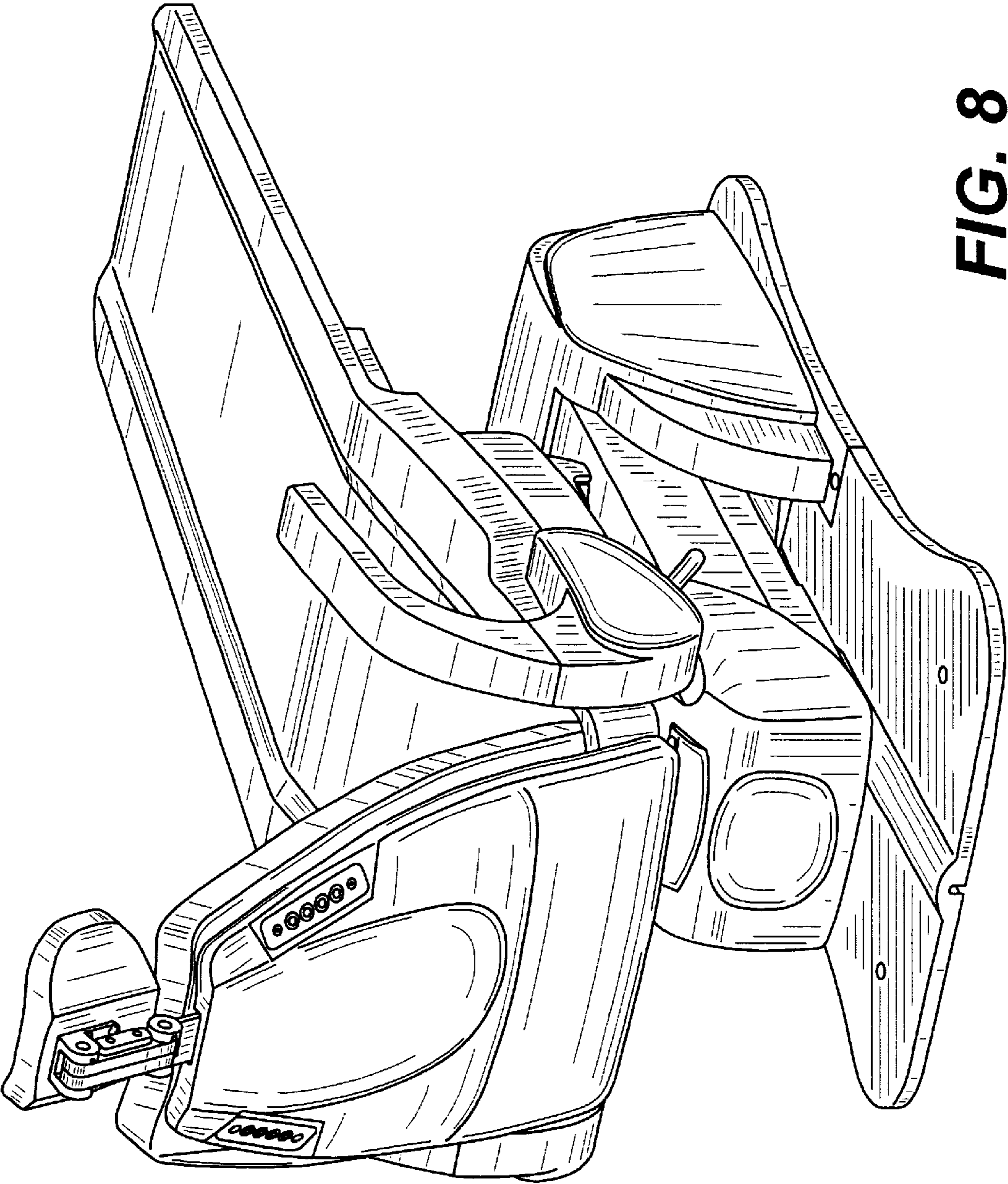


FIG. 8

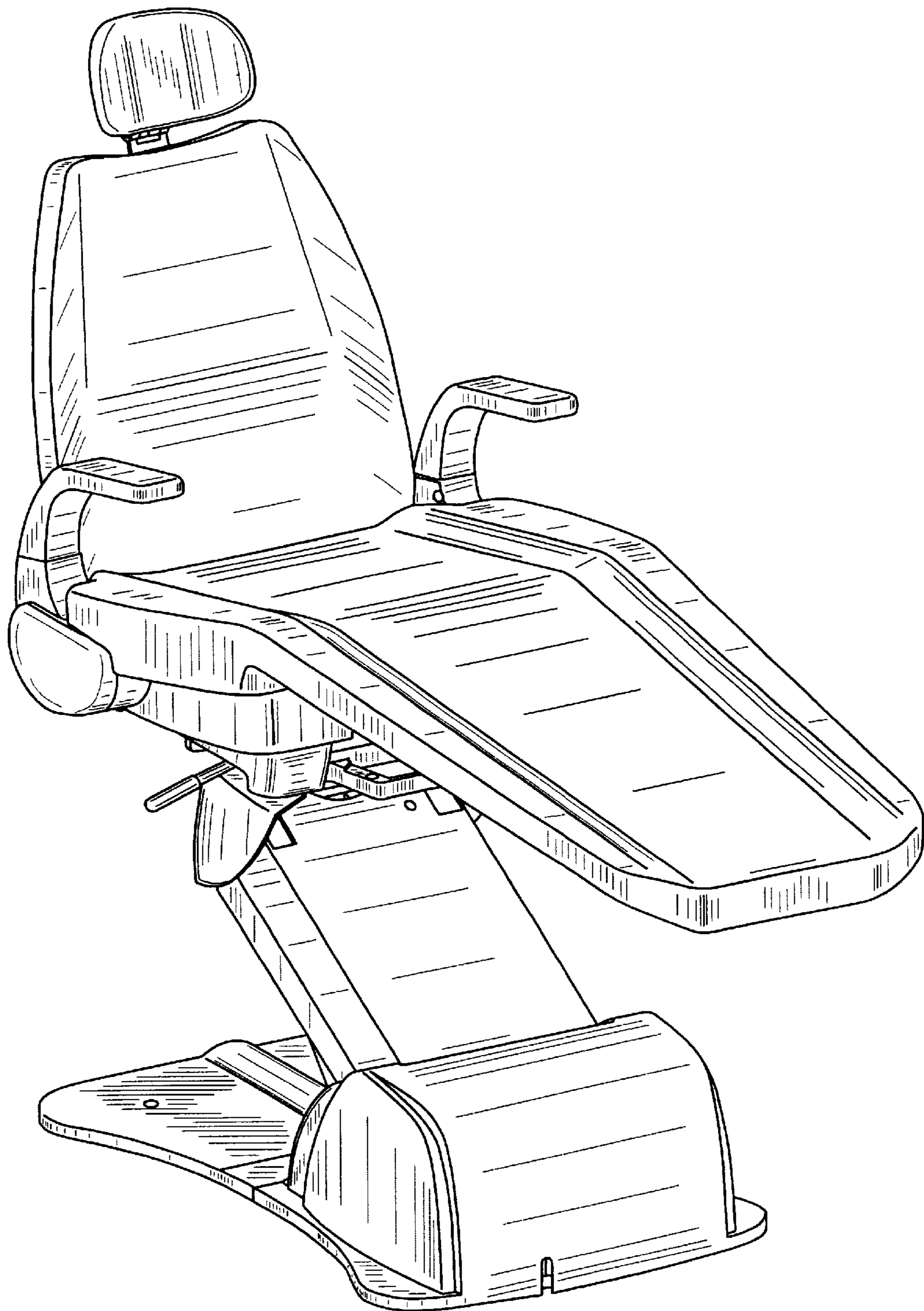


FIG. 9

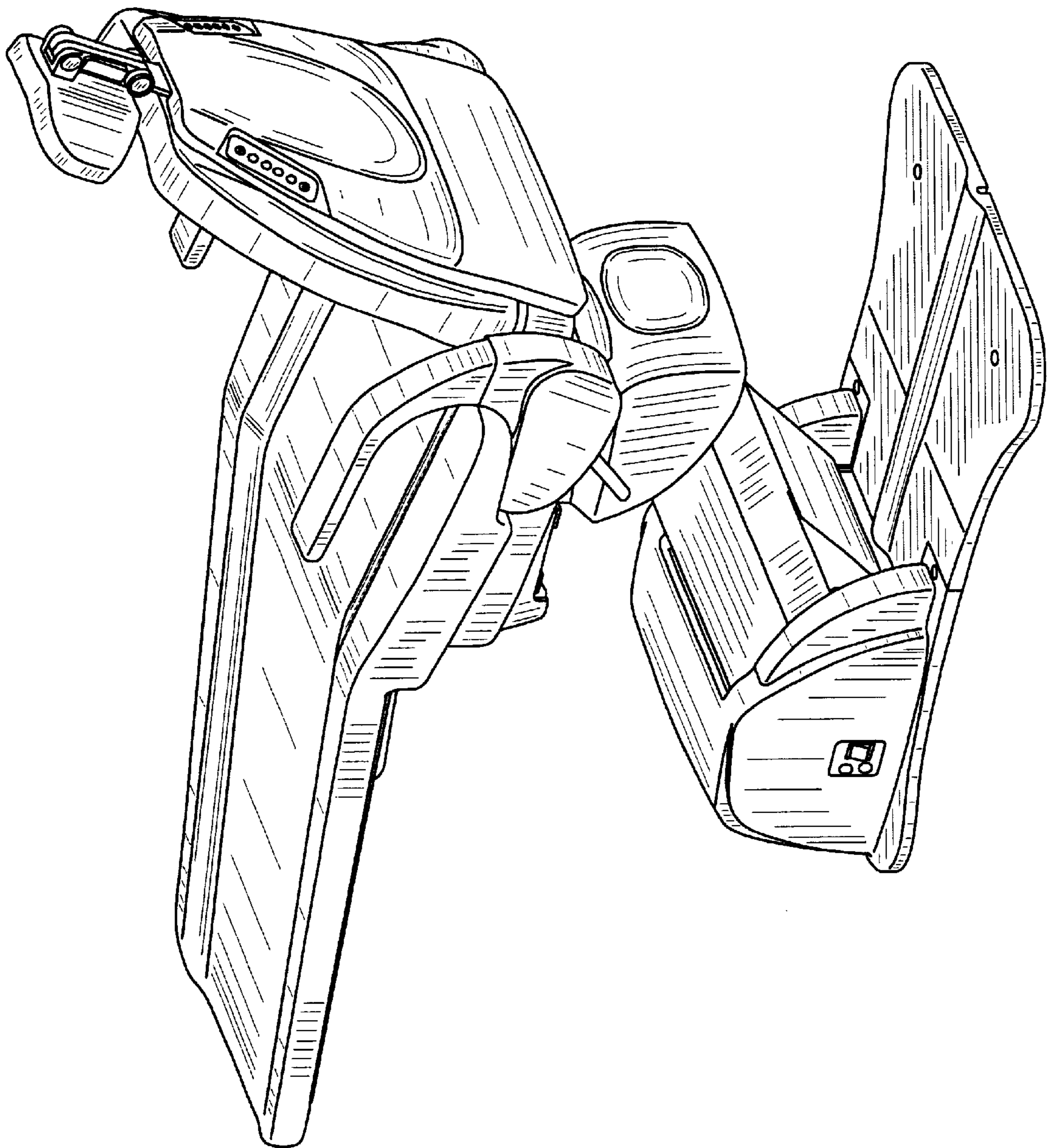


FIG. 10