



US00D525442S

(12) **United States Design Patent**
Pomeroy et al.

(10) **Patent No.:** **US D525,442 S**
(45) **Date of Patent:** **** Jul. 25, 2006**

(54) **CHAIR GLIDER**

(75) Inventors: **Charles Pomeroy**, South Bend, IN (US); **John T. Bycraft**, South Bend, IN (US)

(73) Assignee: **Jack-Post Corporation**, Buchanan, MI (US)

(**) Term: **14 Years**

(21) Appl. No.: **29/227,191**

(22) Filed: **Apr. 7, 2005**

(51) **LOC (8) Cl.** **06-01**

(52) **U.S. Cl.** **D6/344; D6/370**

(58) **Field of Classification Search** D6/334-339, D6/349, 352, 364-366, 353, 369, 370, 495, D6/500-502, 358, 351, 345, 367, 368, 379, D6/480, 481, 483, 484, 344, 347; 5/12.1; 297/445.1, 232, 446.1, 447.3, 448.1, 452.1, 297/118, 119, 122-126; 108/11, 13, 15, 115

See application file for complete search history.

(56) **References Cited**

U.S. PATENT DOCUMENTS

862,756 A 8/1907 Potter
1,177,899 A 4/1916 Rogers

(Continued)

OTHER PUBLICATIONS

- 1987 Jack-Post Catalog: Outdoor Furniture/Outdoor Products.
- 1988 Jack Post Catalog: Outdoor Furniture/Outdoor Products/Building Products.
- 1989 Jack Post Catalog: Outdoor Furniture/Outdoor Products/Building Products.
- 1990 Iron Mountain Catalog: Fine Outdoor and Patio Furniture; Iron Mountain.
- 1991 Jack Post Catalog: Outdoor Furniture/Outdoor Products/Building Products.

1992 Jack Post Catalog: Outdoor Furniture/Outdoor Products/Building Products.

Leaflet: Grand Isle LGL-51HBZ Traditional High Back Glider and LGL-51Z Glider; Cardinal Home Products of Cleveland, Ohio; date unknown.

Leaflet: Grand Isle LGL-48JHBG High Bark Glider-Premium; Cardinal Home Products of Cleveland, Ohio.

Leaflet: Grand Isle LGL-22JHBG High Back Chair; Cardinal Home Products of Cleveland, Ohio.

Leaflet: Grand Isle LGL-22Z Glider Chair; Cardinal Home Products of Cleveland, Ohio.

Leaflet: Grand Isle LGL-44TV Glider and LGL-44V Glider; Cardinal Home Products of Cleveland, Ohio.

Leaflet: Grand Isle LGL-48TZ Deluxe Glider With Side Tables and LGL-48Z Deluxe Glider; Cardinal Home Products of Cleveland, Ohio.

Leaflet: Grand Isle LGL-60TV 6' Glider and LGL-60V 6' Glider; Cardinal Home Products of Cleveland, Ohio.

Leaflet: Mountaineer Outdoor Furniture; Iron Mountain Forge; date Mar. 9, 1986.

Leaflet: Sunstar Double Glider.

Leaflet: Sunstar Single Glider.

(Continued)

Primary Examiner—Sandra S. Snapp

(74) *Attorney, Agent, or Firm*—Jenkins & Gilchrist

(57) **CLAIM**

The ornamental design for a chair glider, as shown and described.

DESCRIPTION

FIG. 1 is a front perspective view of the chair glider showing our new design;

FIG. 2 is a front elevational view;

FIG. 3 is a rear elevational view;

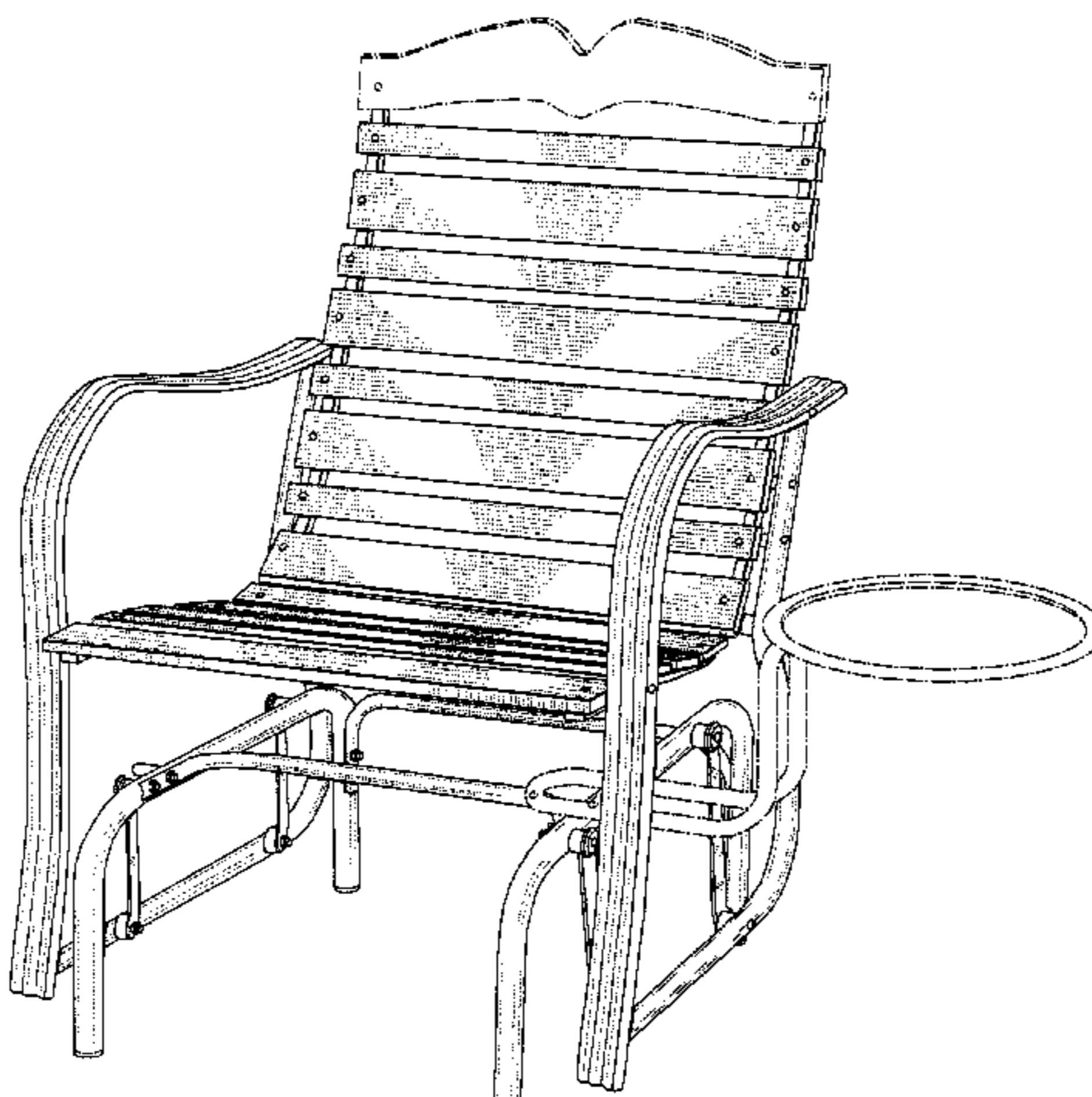
FIG. 4 is an end elevational view from one end;

FIG. 5 is a top plan view; and,

FIG. 6 is a bottom plan view.

The broken lines shown in the drawings are for illustrative purposes only and form no part of the claimed design.

1 Claim, 6 Drawing Sheets



U.S. PATENT DOCUMENTS

1,325,359	A	12/1919	Elzey	
1,361,700	A	12/1920	Elzey	
1,417,443	A	5/1922	Baugher et al.	
D92,012	S	4/1934	McGowen	
D98,065	S	1/1936	Hardy	
D99,375	S	4/1936	Spangler	
D99,530	S	5/1936	Spencer, III	
D103,956	S	4/1937	Rink	
D110,560	S	7/1938	Goldberg	
D121,462	S	7/1940	Tabb	
D135,777	S	6/1943	Smith	
D141,705	S	6/1945	Slaughter	D6/69
D149,900	S	6/1948	Mock	D6/177
D153,162	S	3/1949	Nelems	D6/347
D154,356	S	7/1949	Allmand	D6/52
2,567,612	A	9/1951	McGehee	155/61
D165,835	S	2/1952	Glass	D6/146
3,078,101	A	2/1963	Reese	280/30
3,994,468	A	11/1976	Carter et al.	248/370
D256,744	S	9/1980	Mark	D6/45
D257,653	S	12/1980	Berlic	D6/177
D259,308	S	5/1981	Sroub	D6/52
D263,908	S	4/1982	Imber	D6/146
D265,952	S	8/1982	Theodore	D6/45
D281,376	S	11/1985	Gregory, III	D6/379
D281,378	S	11/1985	Parker	D6/344
D290,911	S	7/1987	Pomeroy et al.	D6/347
D296,272	S	6/1988	Colby	D6/347
D298,490	S	11/1988	Pomeroy et al.	D6/347
4,796,949	A	1/1989	Boyce	297/259
D306,530	S	3/1990	Vanderminden	D6/347
D307,361	S	4/1990	Pomeroy et al.	D6/347
D307,362	S	4/1990	Pomeroy et al.	D6/347
D307,363	S	4/1990	Pomeroy et al.	D6/347
4,919,480	A	4/1990	Drew, III	297/244
D307,523	S	5/1990	Pomeroy et al.	D6/347
D310,604	S	9/1990	Pomeroy et al.	D6/347
5,058,951	A	10/1991	Thiel	297/278
D325,823	S	5/1992	Pomeroy et al.	D6/335
D327,584	S	7/1992	Braxton, III	D6/347
D328,197	S	7/1992	Braxton, III	D6/347
D334,485	S	4/1993	Pomeroy et al.	D6/334
D338,563	S	8/1993	Chiang	D6/344
D341,037	S	11/1993	Pomeroy et al.	D6/372
D342,622	S	* 12/1993	Tseng	D6/370
D349,818	S	8/1994	Noll	D6/61
D350,855	S	9/1994	Pomeroy et al.	D6/344
D361,673	S	8/1995	Pomeroy et al.	D6/344
D362,349	S	9/1995	Pomeroy et al.	D6/344
D365,692	S	1/1996	Pomeroy et al.	D6/344
5,667,273	A	9/1997	Noll	297/171

D400,720	S	11/1998	Pomeroy et al.	D6/344
D401,090	S	11/1998	Pomeroy et al.	D6/500
D410,340	S	6/1999	Pomeroy et al.	D6/344
D415,623	S	* 10/1999	Lin	D6/370
D417,559	S	12/1999	Pomeroy et al.	D6/344
D430,743	S	9/2000	Pomeroy et al.	D6/336
D432,323	S	10/2000	Pomeroy et al.	D6/344
6,199,950	B1	3/2001	Noll	297/273
D443,425	S	6/2001	Pomeroy et al.	D6/344
D449,454	S	10/2001	Pomeroy et al.	D6/344
D450,193	S	11/2001	Pomeroy et al.	D6/344
D450,937	S	11/2001	Pomeroy et al.	D6/344
D464,492	S	10/2002	Pomeroy et al.	D6/336
D467,741	S	12/2002	Pomeroy et al.	D6/346
D468,916	S	1/2003	Pomeroy et al.	D6/346
D475,540	S	6/2003	Pomeroy et al.	D6/344
D477,468	S	* 7/2003	Noll	D6/344
D492,852	S	7/2004	Pomeroy et al.	D6/344

OTHER PUBLICATIONS

Catalog: Lauan Mahogany Furniture; Cardinal American of Bedford Hts., Ohio; 1985.
 Assembly Instructions for Your New Glider; C&H Houston, Inc. of Houston, Texas.
 Leaflet: 801106 5 ft. Glider; Flanders Industries, Inc. of Fort Smith, Arkansas.
 Leaflet: Glider; Oakwood Manufacturing Inc. of Oxford, Michigan.
 Leaflet: Glider; Iron Mountain Forge of Farmington, Missouri.
 Leaflet: Product of American Handcrafted Indoor Outdoor Furniture; Ozark Wood Products, Inc. of Chicago, Illinois.
 Leaflet: Product of American Handcrafted Indoor Outdoor Furniture; Ozark Wood Products, Inc. of Chicago, Illinois.
 Leaflet: Glider; Behlen Mfg. Co. of Columbus, Nebraska.
 Leaflet: Chair Gliders; Behlen Mfg. Co. of Columbus, Nebraska.
 1990 Jack-Post Catalog: Outdoor Furniture/Outdoor Products.
 1993 Jack Post Catalog: Outdoor Furniture/Outdoor Products/Building Products.
 1994 Jack Post Catalog: Thirtieth Anniversary.
 1995 Jack Post Catalog: Outdoor Furniture/Outdoor Products/Building Products.
 Flanders Industries, Inc. Royal Park Outdoor Furniture Glider from late 1980's.
 2000 Jack-Post Furniture Products Catalog p. 2, 3, 4, 6.
 Leaflet: Holiday Club™ Patio Furniture Kits.

* cited by examiner

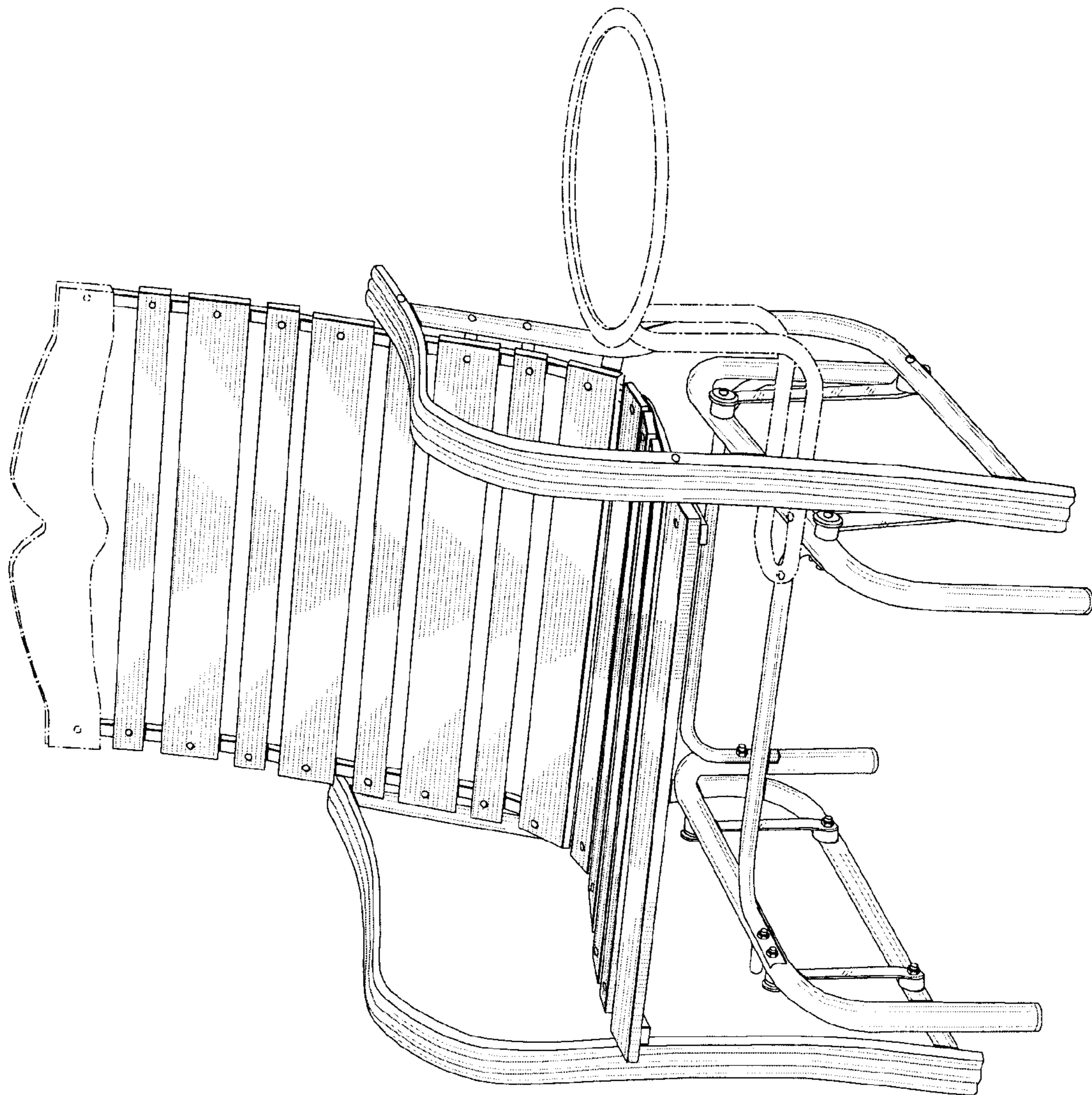


FIG. 1

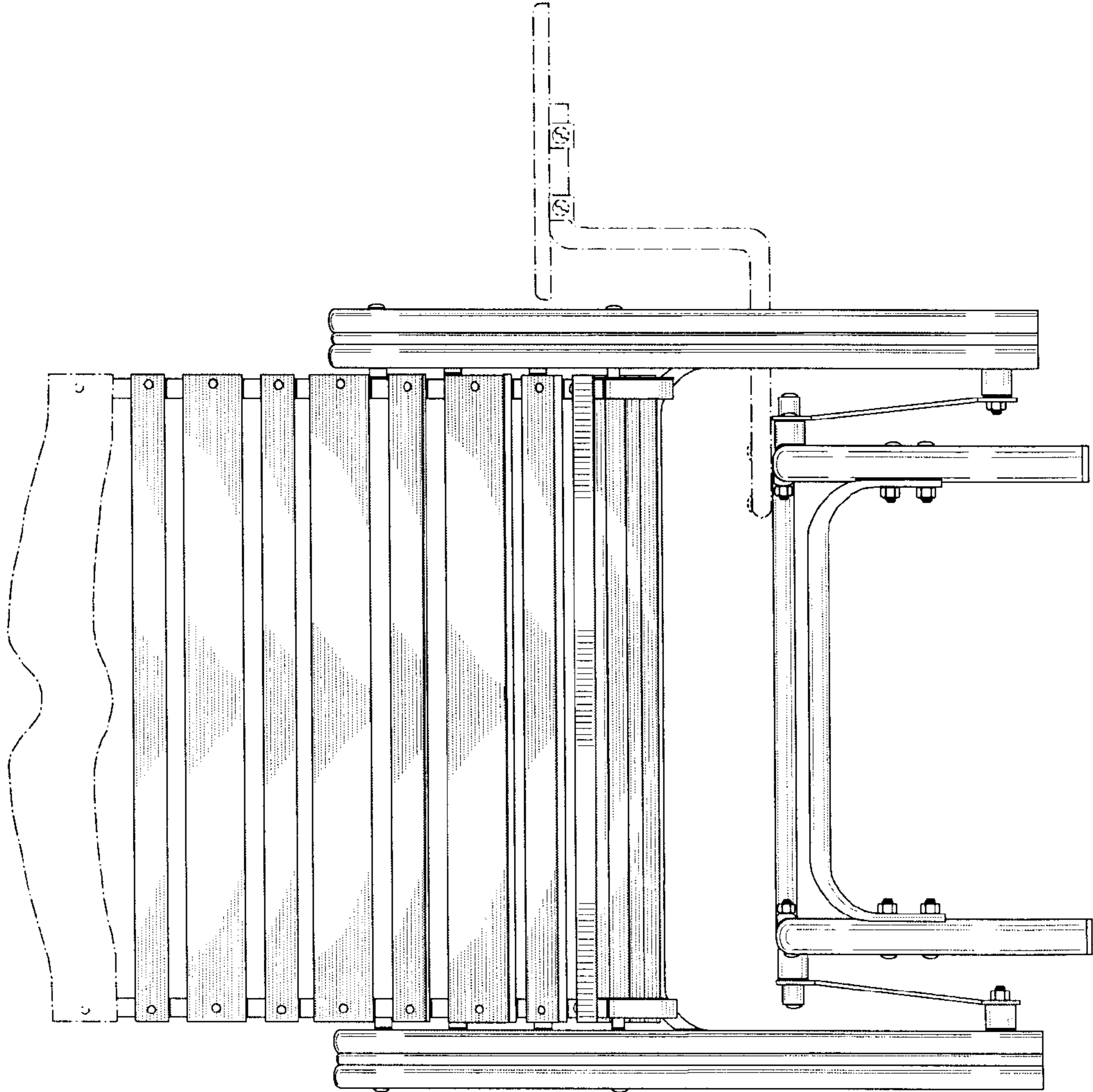


FIG. 2

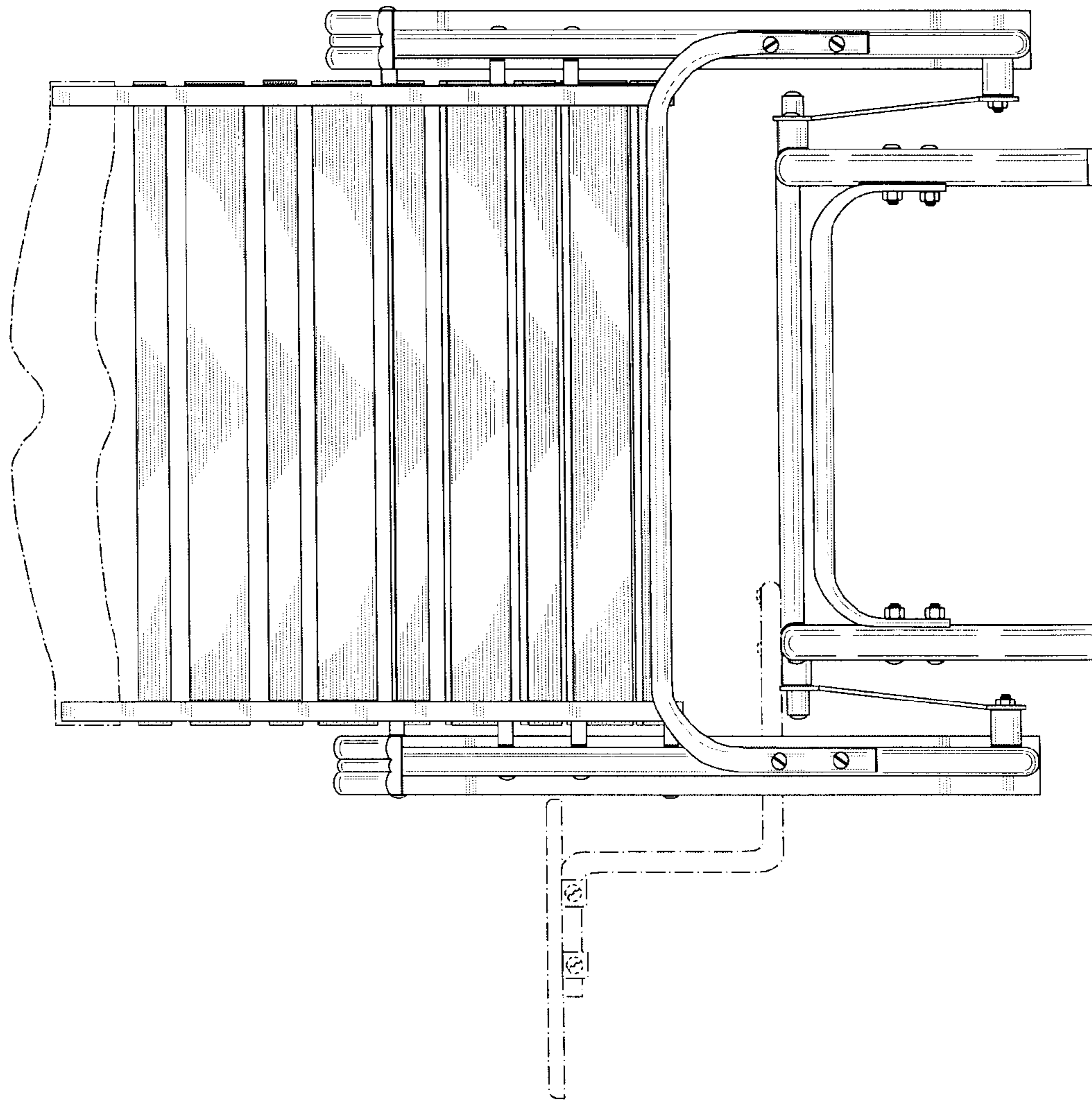


FIG. 3

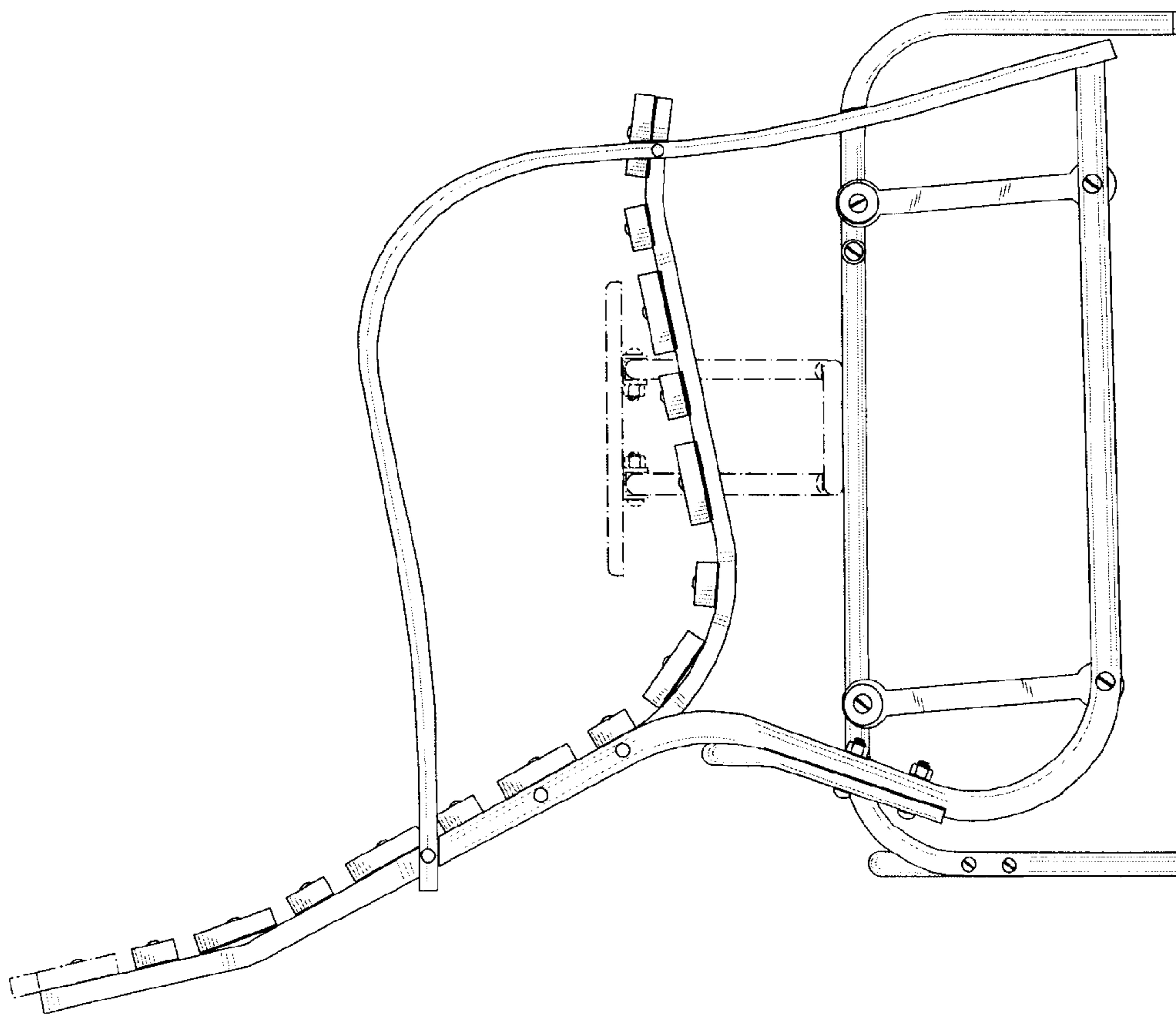


FIG. 4

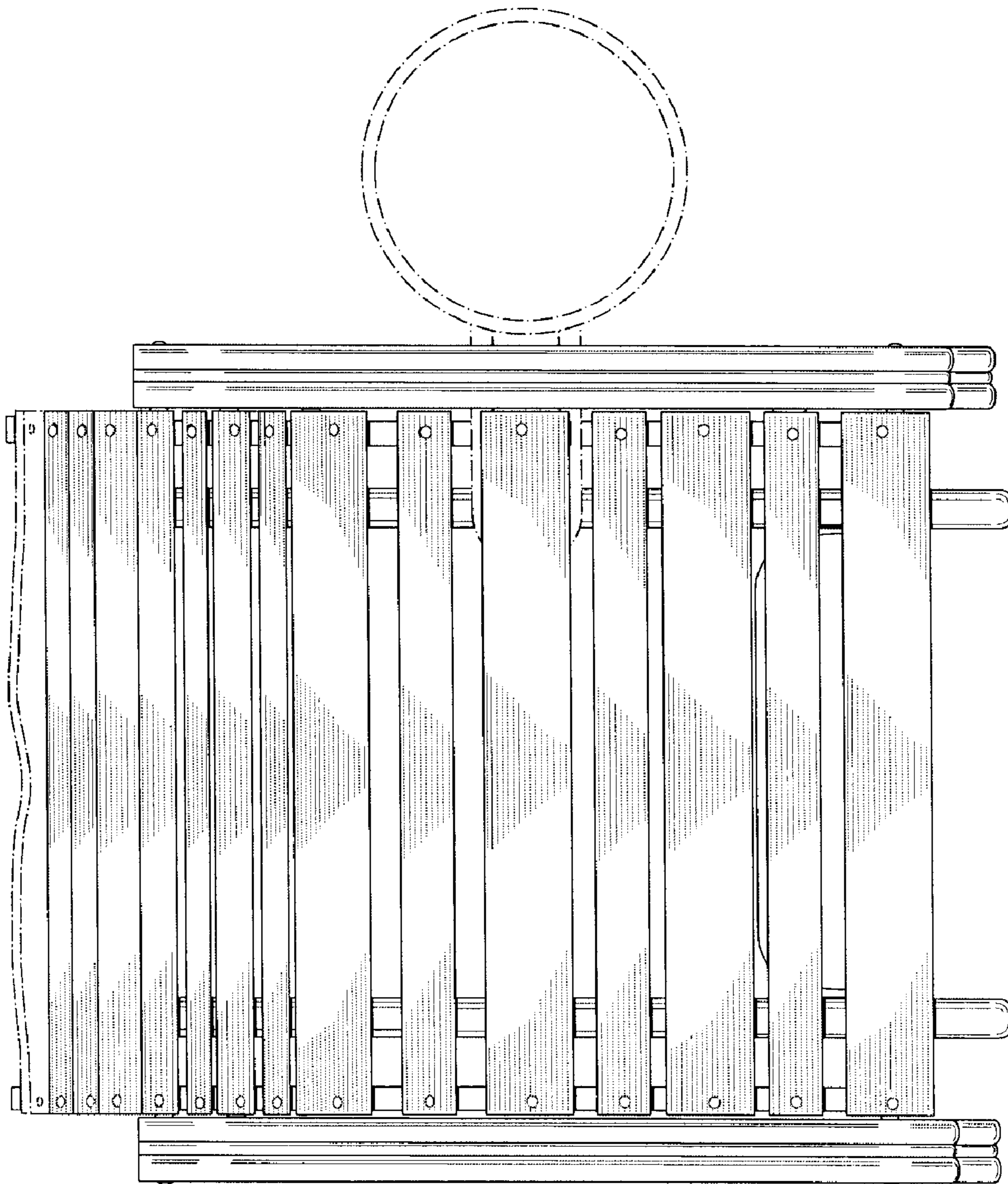


FIG. 5

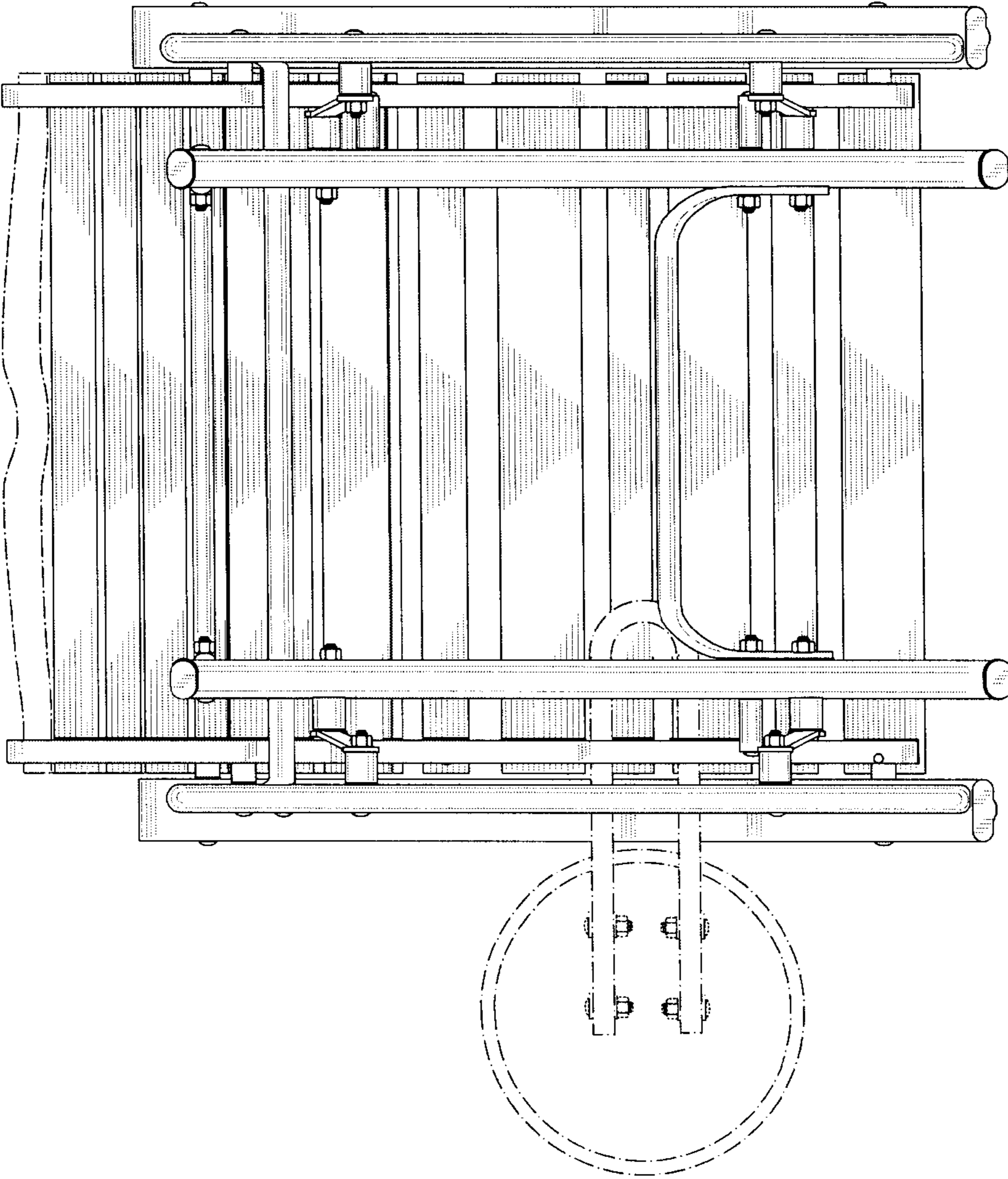


FIG. 6